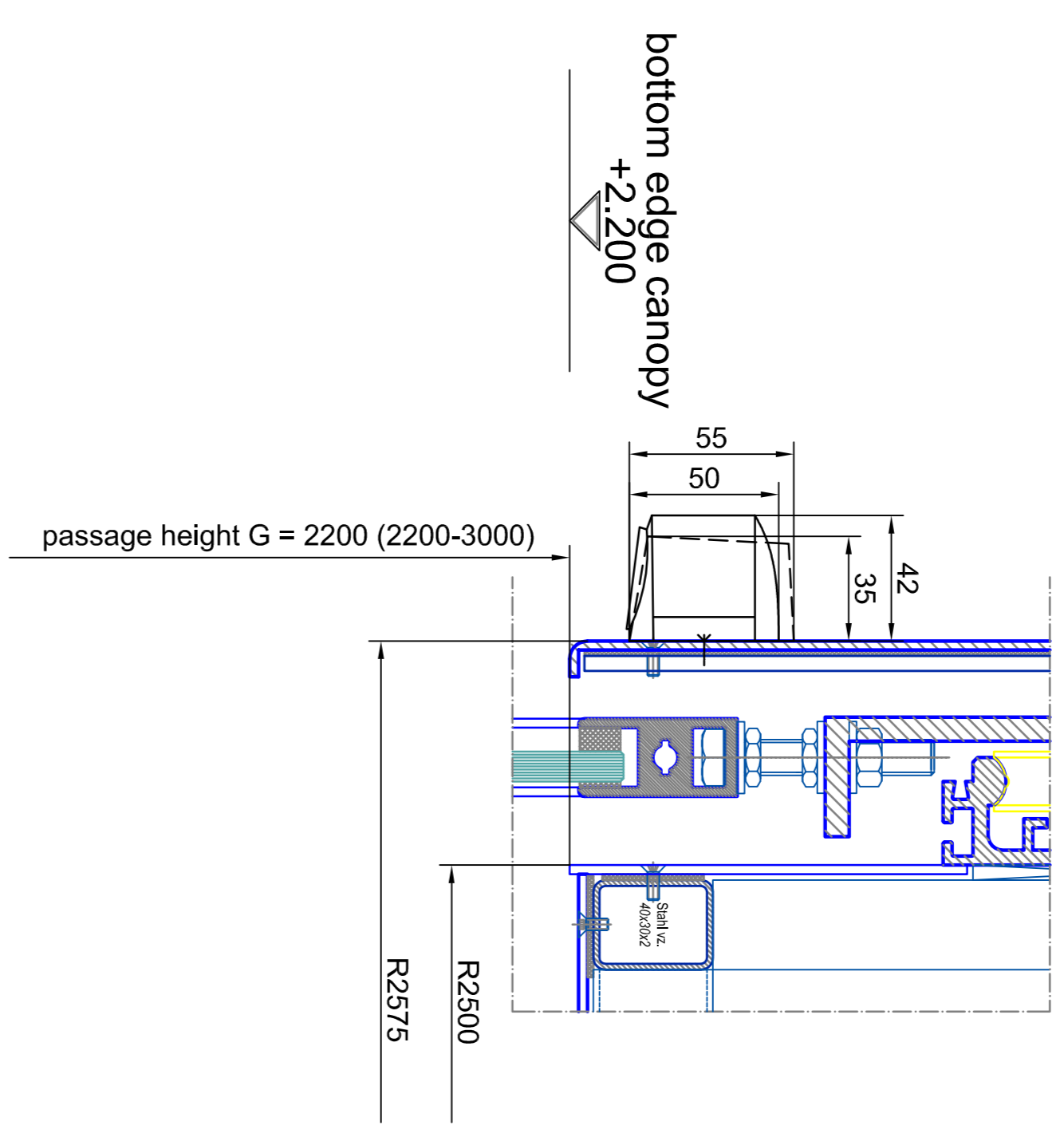


outside

inside

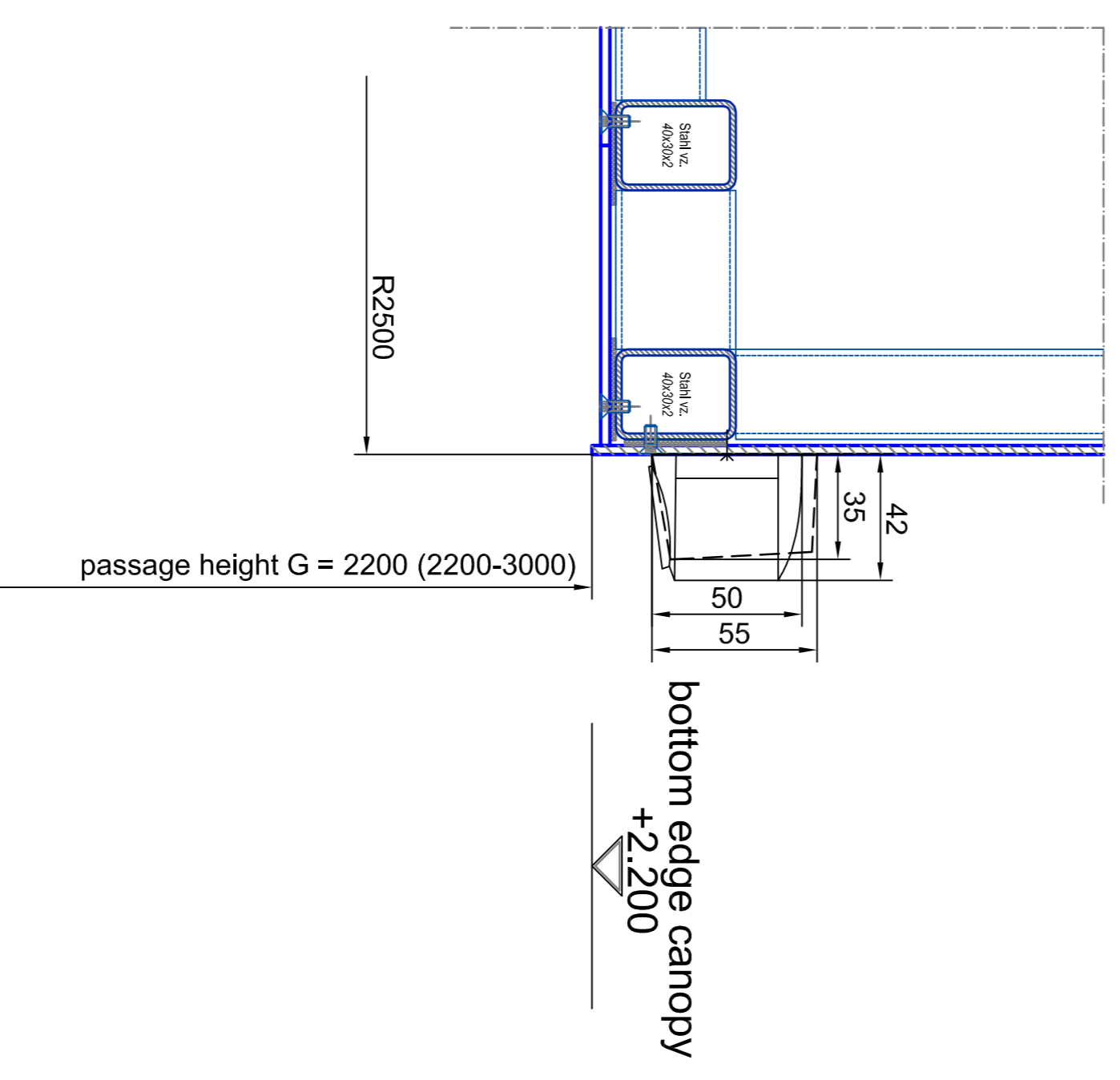
**vertical section -
passage area outside**

A0 - M 1:2

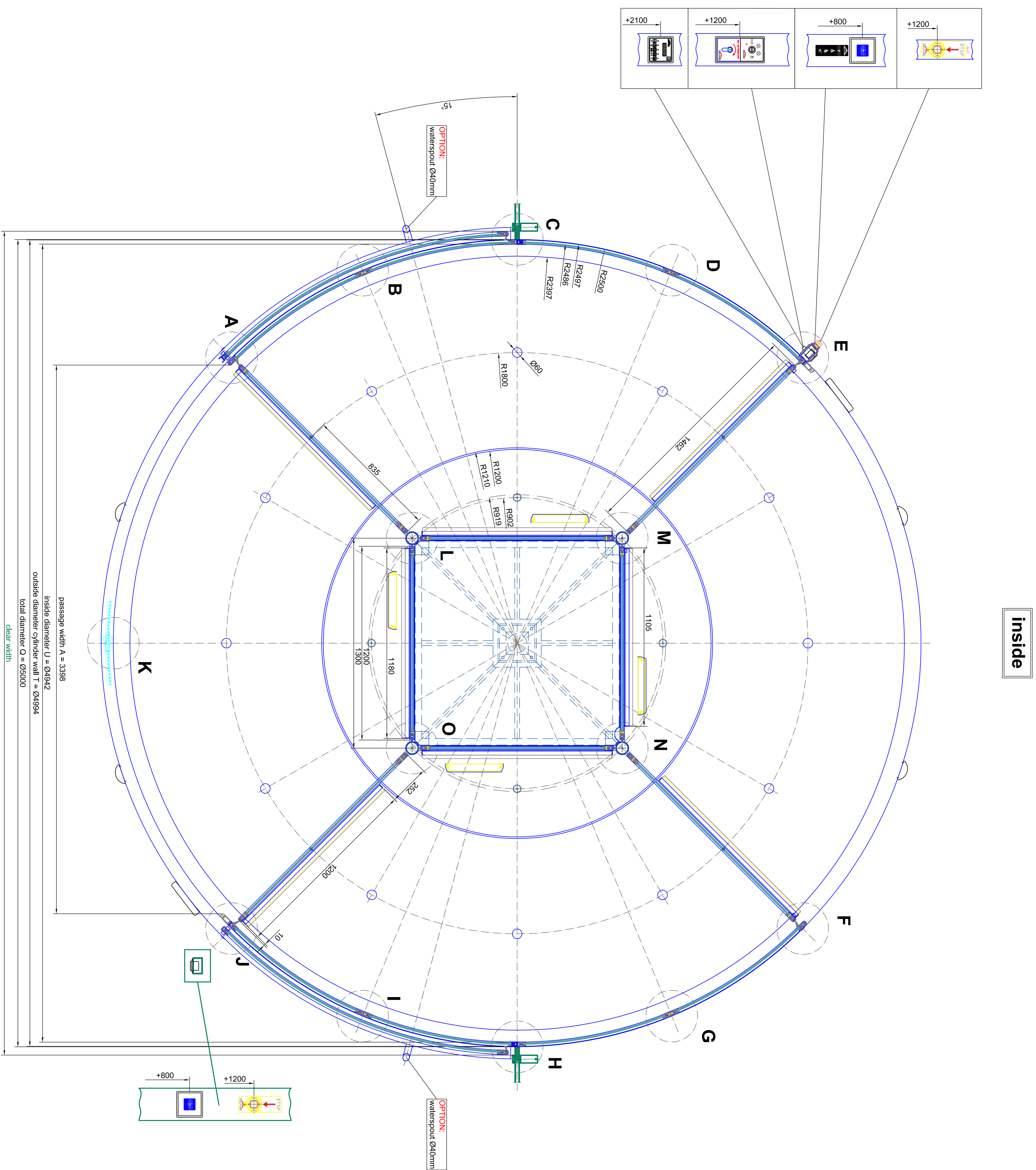


**vertical section -
passage area inside**

A0 - M 1:2



<p>BLASI</p> <p>BLASI G.m.b.H. Automatic Doors Caf. Ober-Straße 5-16 D-71737 Tübingen</p> <p>Tel. +49(0)7141 / 883-239 Fax. +49(0)7141 / 883-289 E-mail: info@blasi.de www.blasi.de</p>	<p>Model: A0-M 1:2</p> <p>Project: K41-VVI-50 Break Out</p> <p>Customer: SAMPLE DRAWING ONLY</p>
<p>Scale: 1:100</p> <p>Sheet: 914-43</p> <p>Project: 14.0000.0000</p> <p>Drawn: 14.0000.0000</p> <p>Checked: 14.0000.0000</p>	<p>Material: tempered safety glass 10 mm</p> <p>Material: laminated safety glass 10 mm</p>



Material	Aluminum	Material	Aluminum
Surface	Tempo safety glass 10 mm	Surface	Tempo safety glass 10 mm
Weight	304 kg	Weight	304 kg
Height	2100 mm	Height	2100 mm
Width	3398 mm	Width	3398 mm
Depth	100 mm	Depth	100 mm
Volume	0.03 m ³	Volume	0.03 m ³
Area	10.4 m ²	Area	10.4 m ²

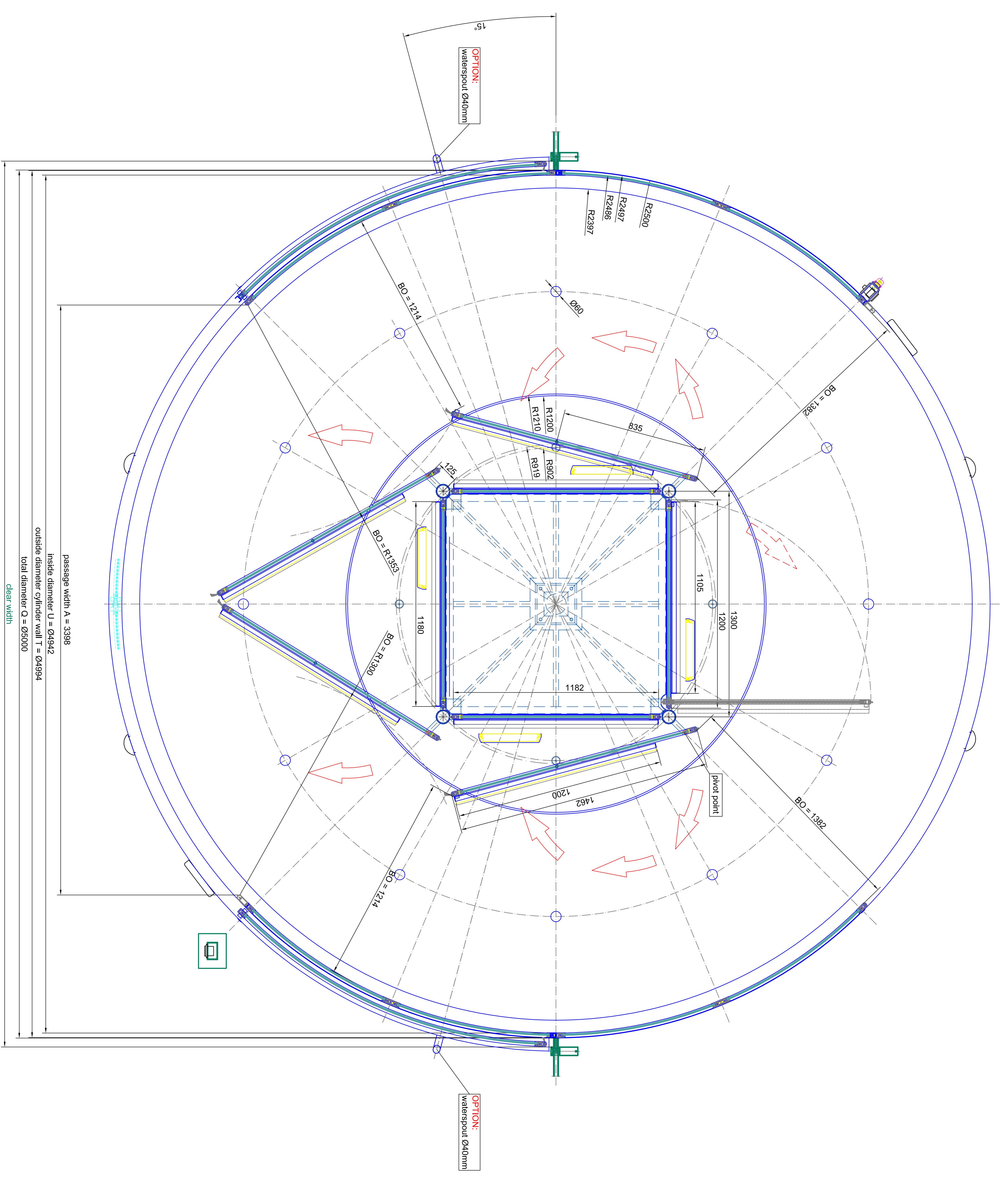
BLASI

BLASI G m.b.H.
 Automatic Doors
 Ost. Str. 5-15
 D-71737 Mühlweg

Tel. +49(0)7141 / 883-239
 Fax. +49(0)7141 / 883-238
 E-mail: info@blasig.de
 WWW: blasig.de

Model: K41-VVI-50 Break Out
 Project: SAMPLE DRAWING ONLY

Page: 02
 Date: 05



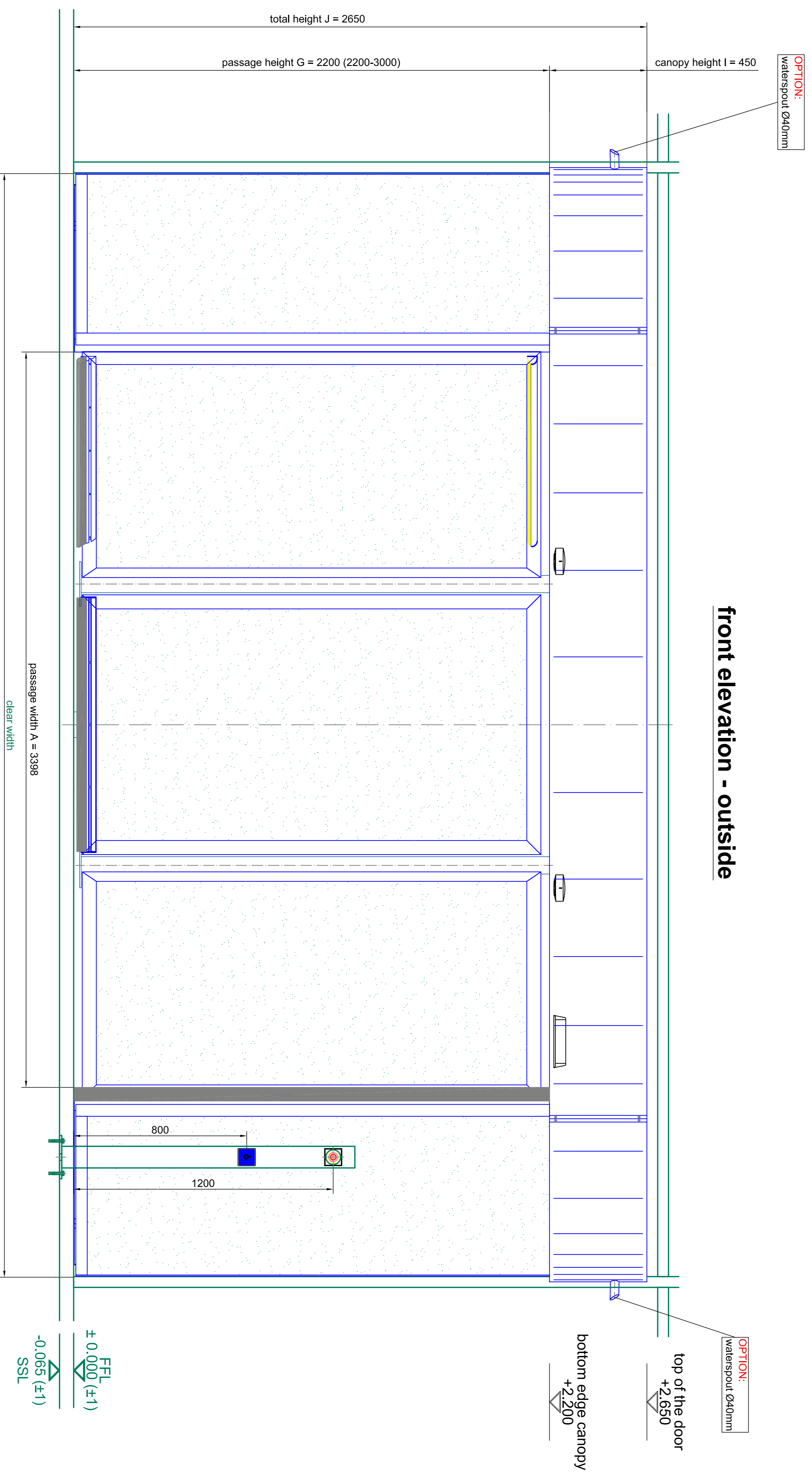
inside

outside

horizontal section - door in break out position

Material:	Al (aluminum)	Standard:	EN 15701
Profile:	90x45	Material:	Laminated safety glass 10 mm
Color:		Material:	Laminated safety glass 10 mm
Finish:		Material:	Laminated safety glass 10 mm
Weight:		Material:	Laminated safety glass 10 mm
Height:		Material:	Laminated safety glass 10 mm
Width:		Material:	Laminated safety glass 10 mm
Depth:		Material:	Laminated safety glass 10 mm
Volume:		Material:	Laminated safety glass 10 mm
Surface area:		Material:	Laminated safety glass 10 mm
Weight:		Material:	Laminated safety glass 10 mm

Model:	A6-110	Configuration:	1200x1182
Series:	K41-VVI-50 Break Out	Configuration:	1200x1182
Product:	K41-VVI-50 Break Out	Configuration:	1200x1182
Manufacturer:	BLASI	Configuration:	1200x1182
Address:	BLASI G m b H Automatic Doors Via Sesto 5-16 D-71737 Murrang	Configuration:	1200x1182
Phone:	+49 7142 801 281	Configuration:	1200x1182
Fax:	+49 7142 801 289	Configuration:	1200x1182
Email:	info@blasi.de	Configuration:	1200x1182
Website:	www.blasi.com	Configuration:	1200x1182



front elevation - outside

Substrate	FFL (finished floor level)	± 0.000 (+/-1)
Door	tempered safety glass 10 mm	10 mm
Canopy	tempered safety glass 10 mm	10 mm
Handle	tempered safety glass 10 mm	10 mm
Lock	tempered safety glass 10 mm	10 mm

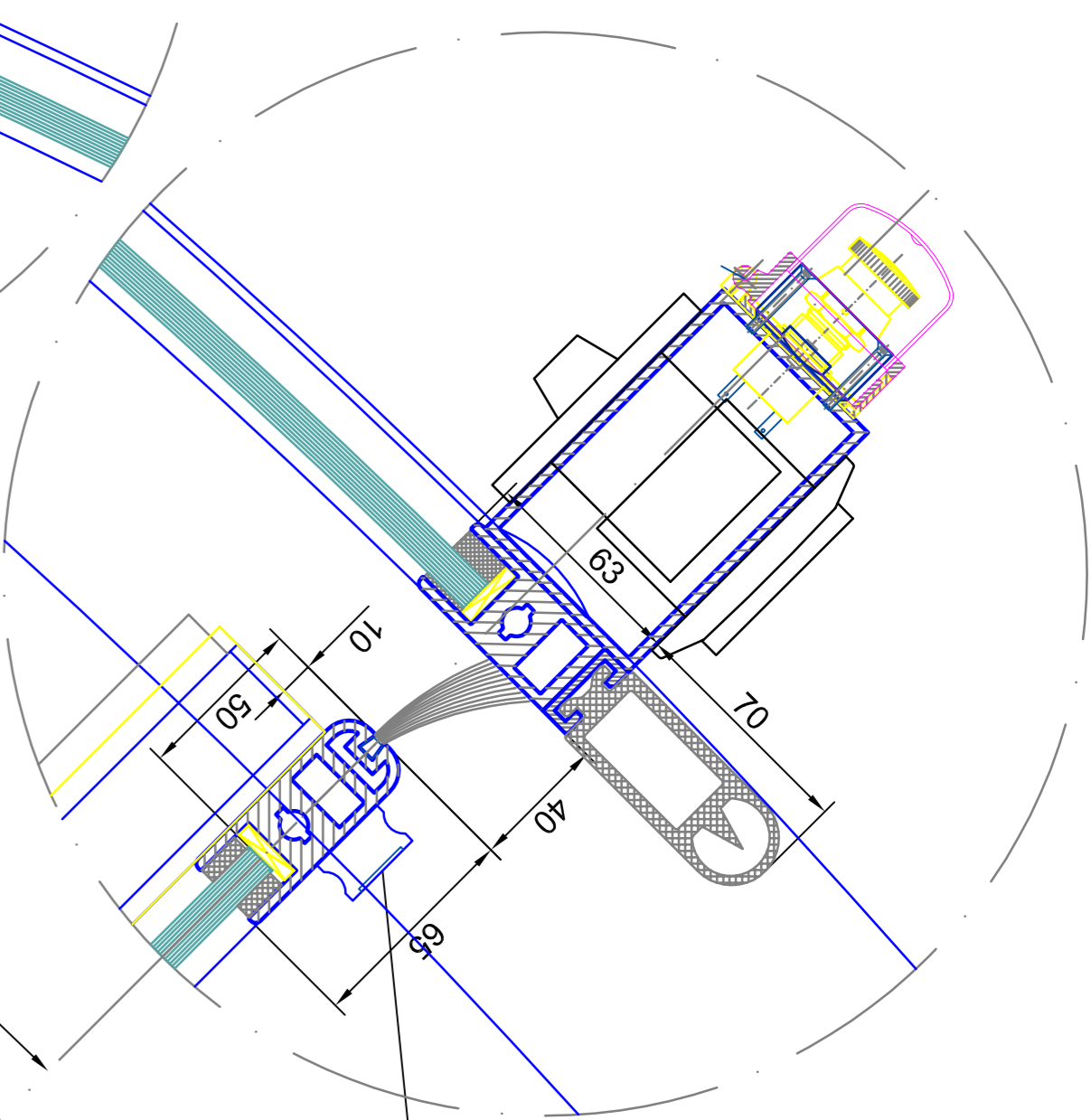
BLASI
 Automatic Doors
 8 L A S T G m b H
 Carl-Heinz-Straße 5-15
 D-71737 Tübingen

Tel. +49(0)7142 / 883-281
 Fax. +49(0)7142 / 883-289
 E-mail: info@blasig.de
 WWW: blasig.de

Model: **AcH-10**
 Project: **K41-VN1-50 Break Out**
 Drawing: **SAMPLE DRAWING ONLY**

Page: **04**
 Total: **05**

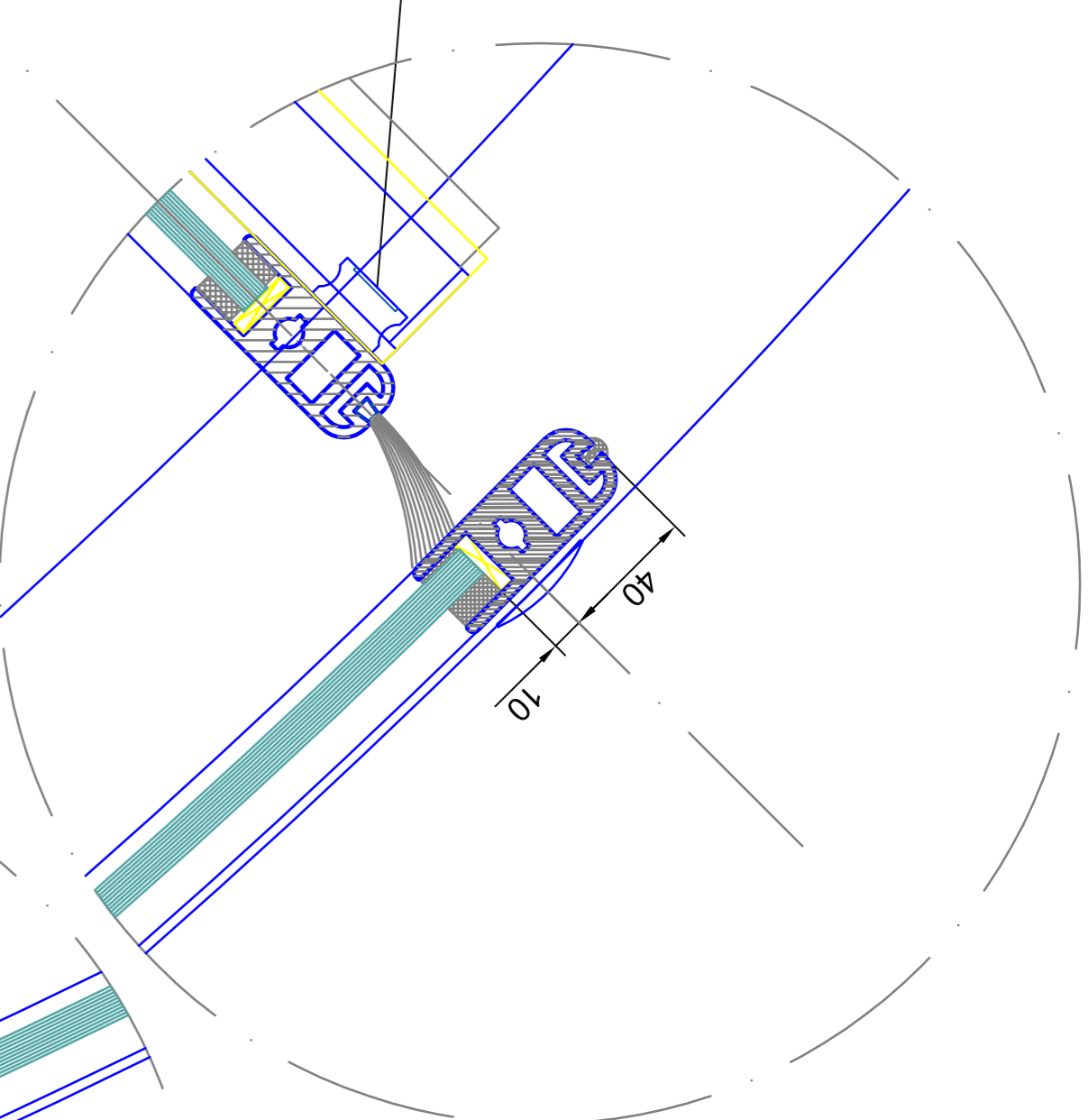
detail E



bar lock
locked from inside
profile-semicylinder 27mm
locking into the canopy

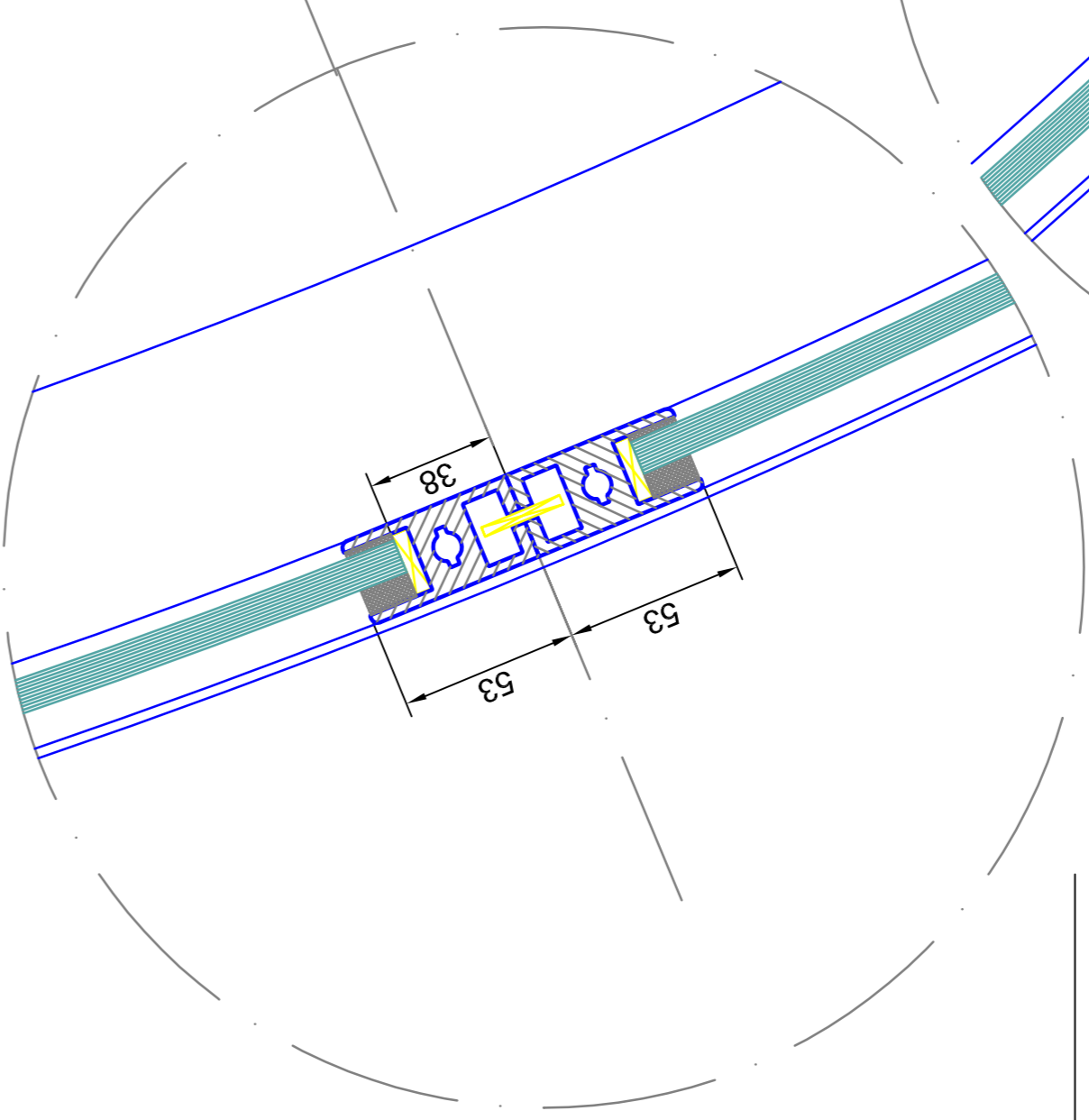
inside

detail F



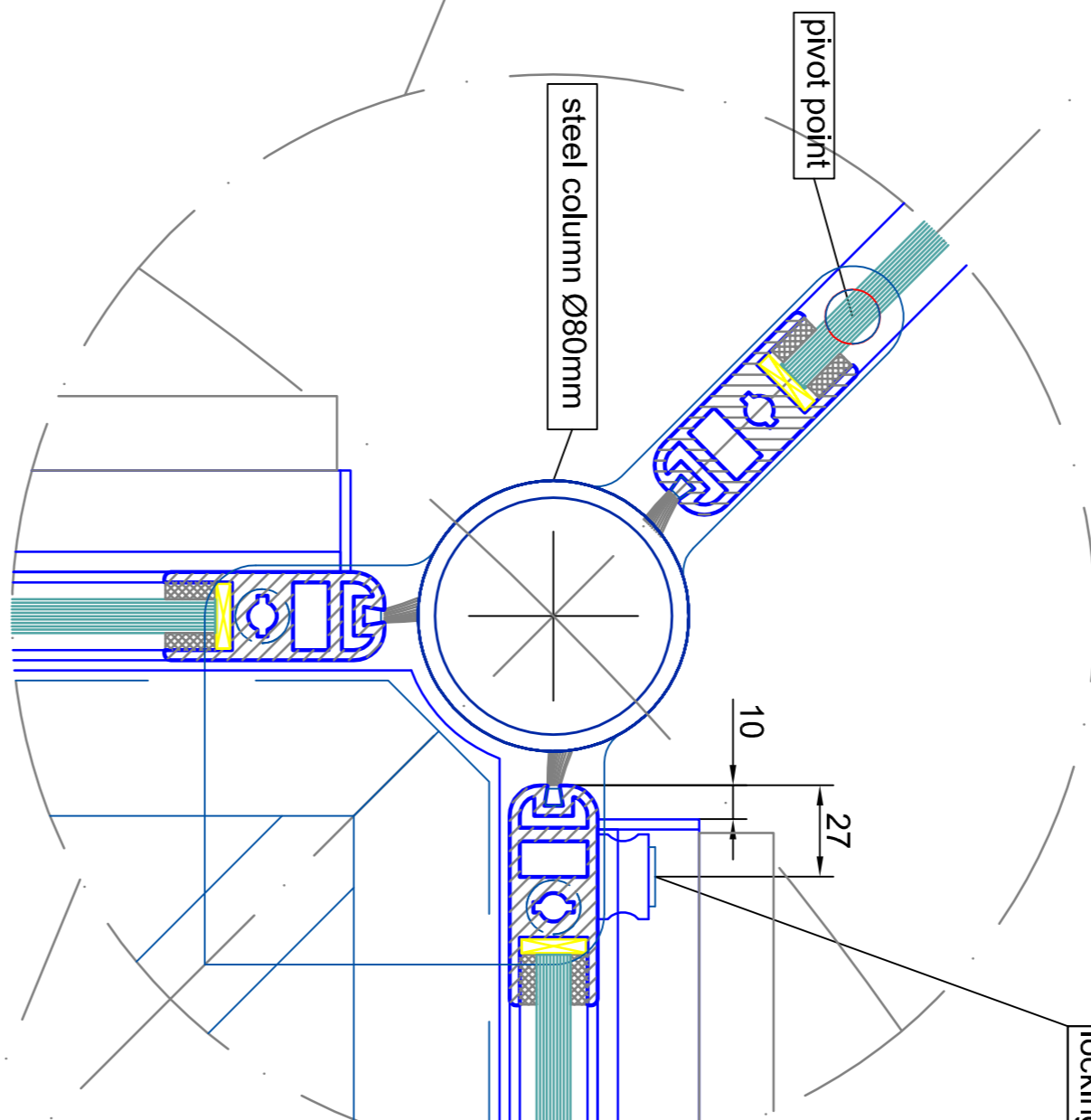
bar lock
locked from inside
profile-semicylinder 27mm
locking into the canopy

detail G



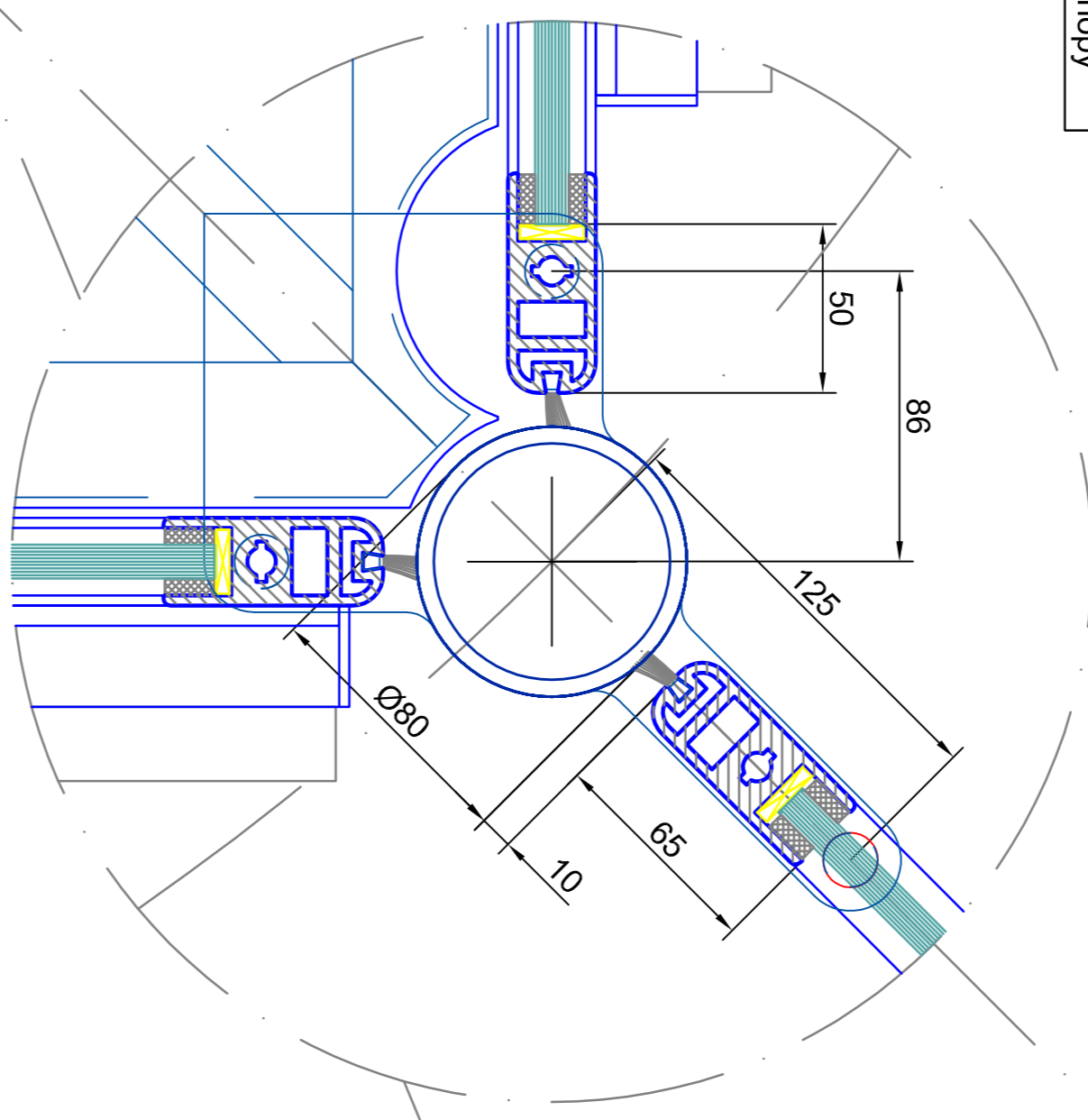
detail G

detail M

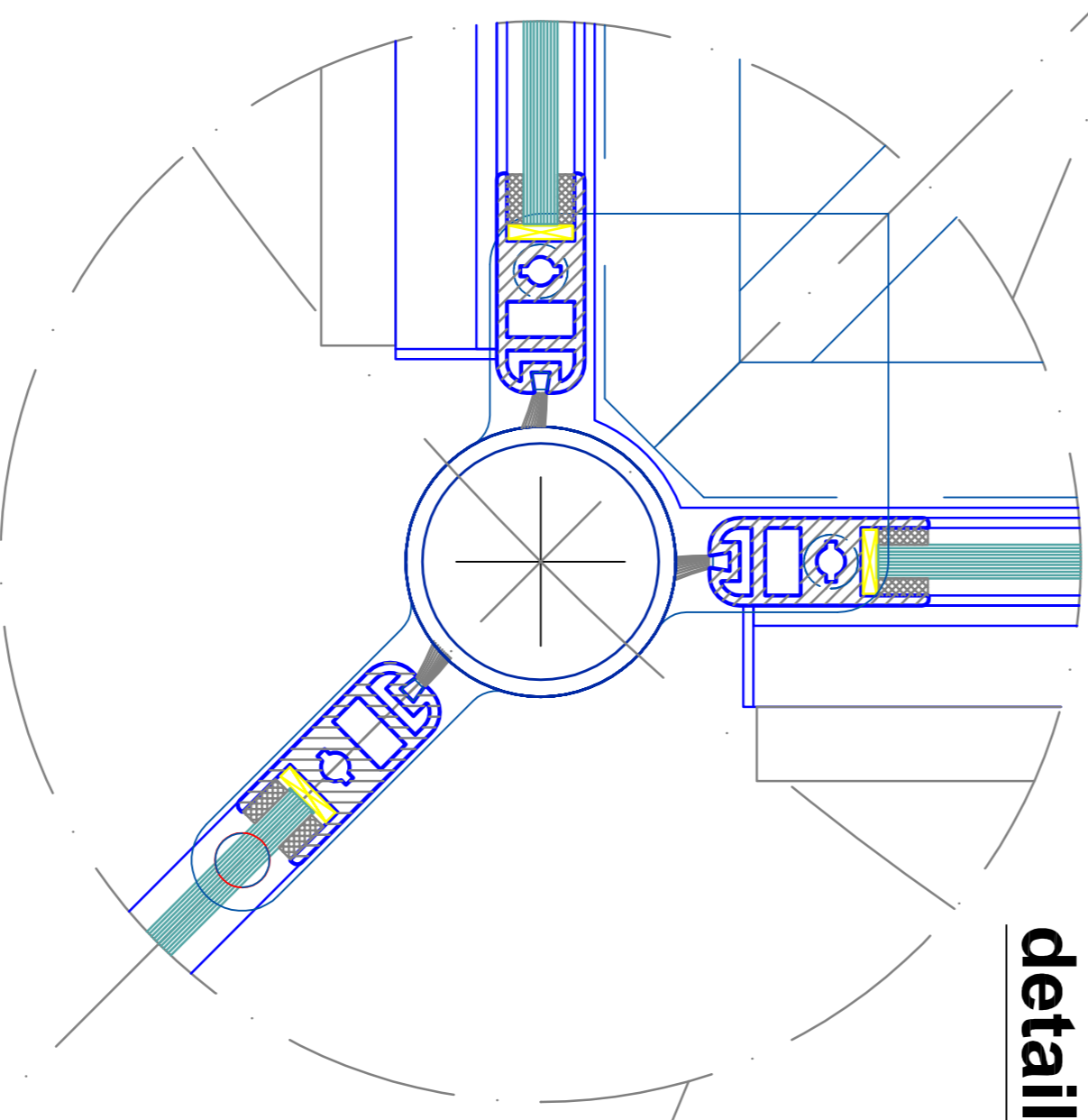


bar lock
locked from inside
profile-semicylinder 27mm
locking into the canopy

detail N

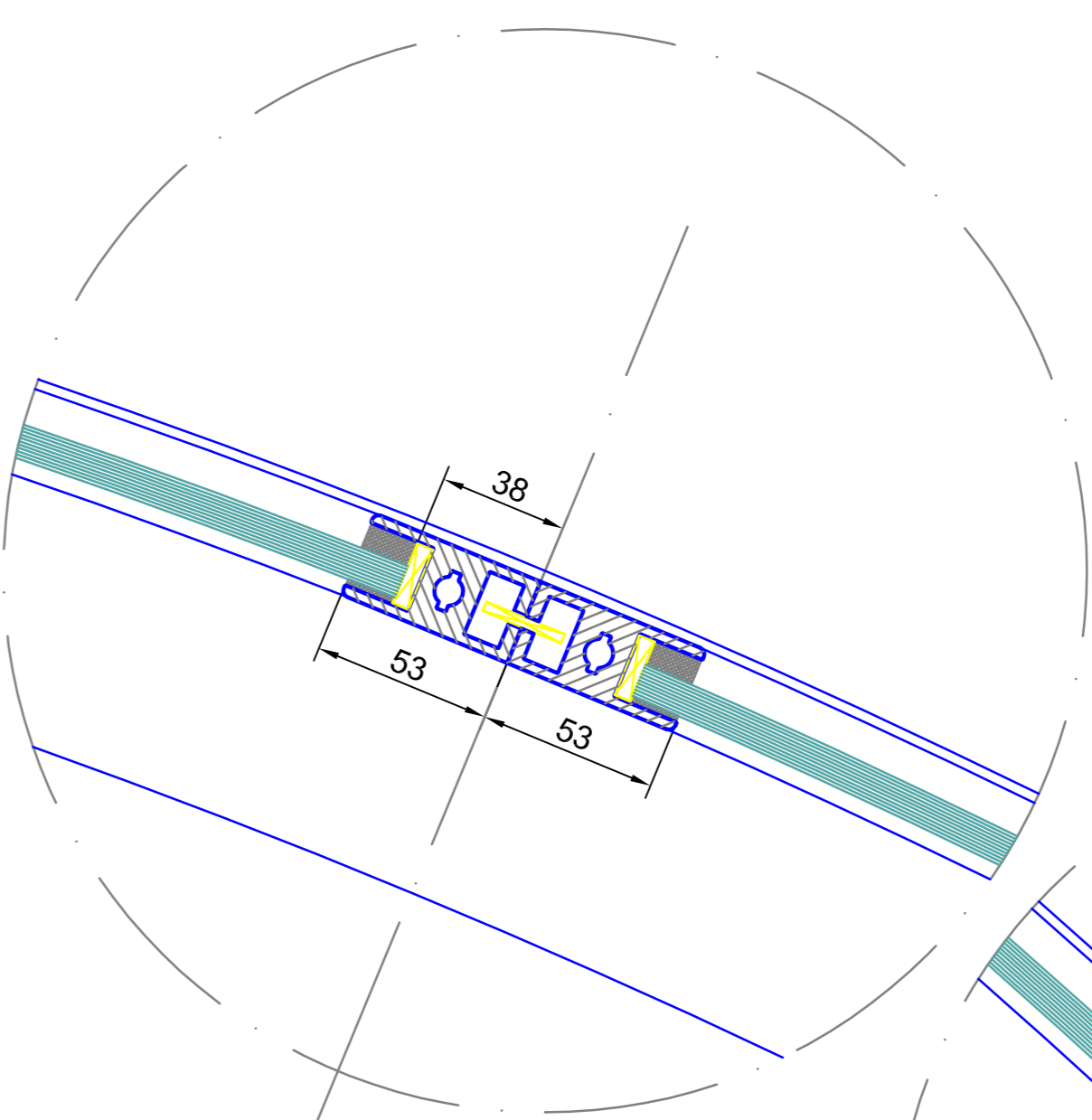


detail O

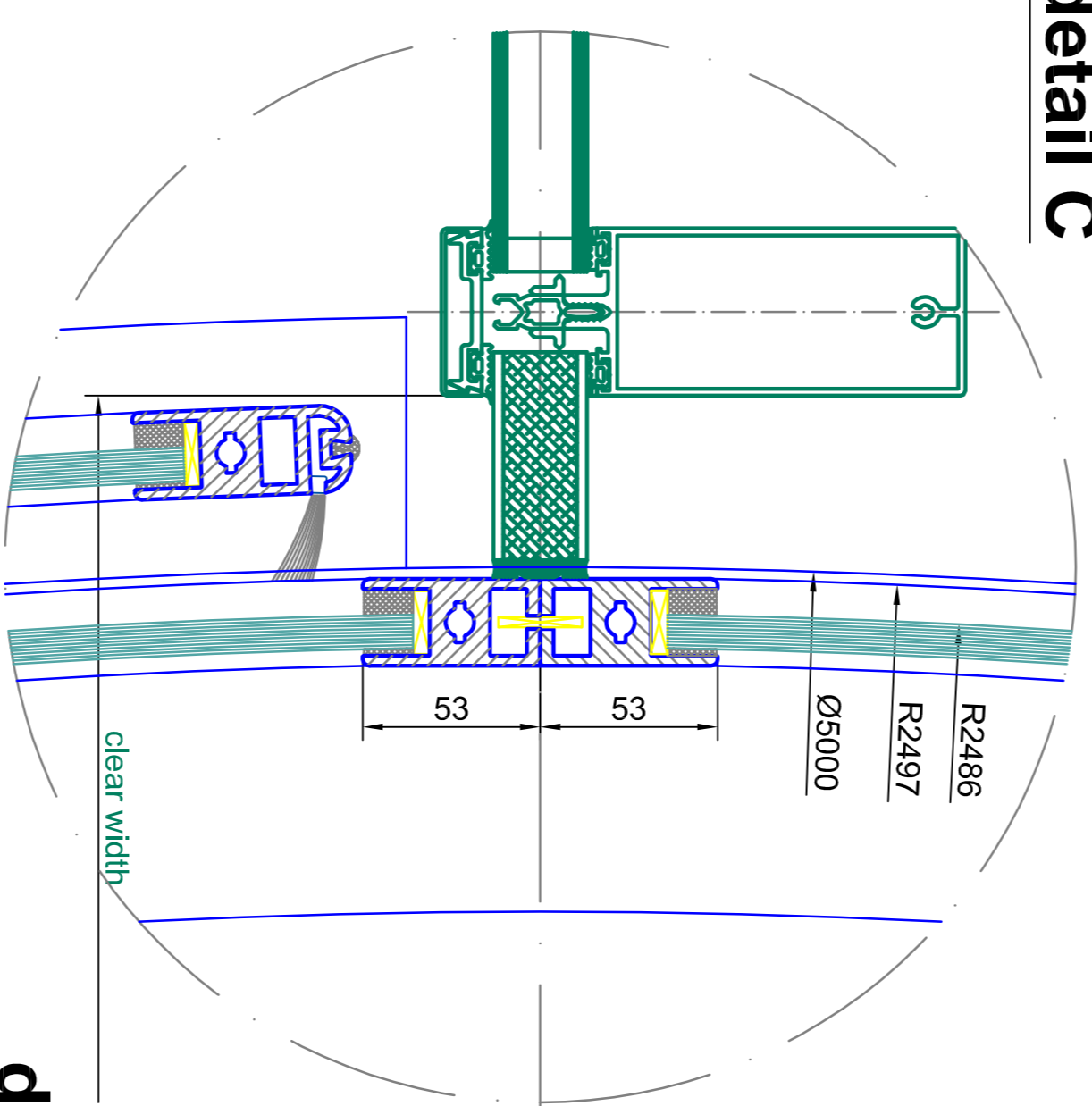


detail E

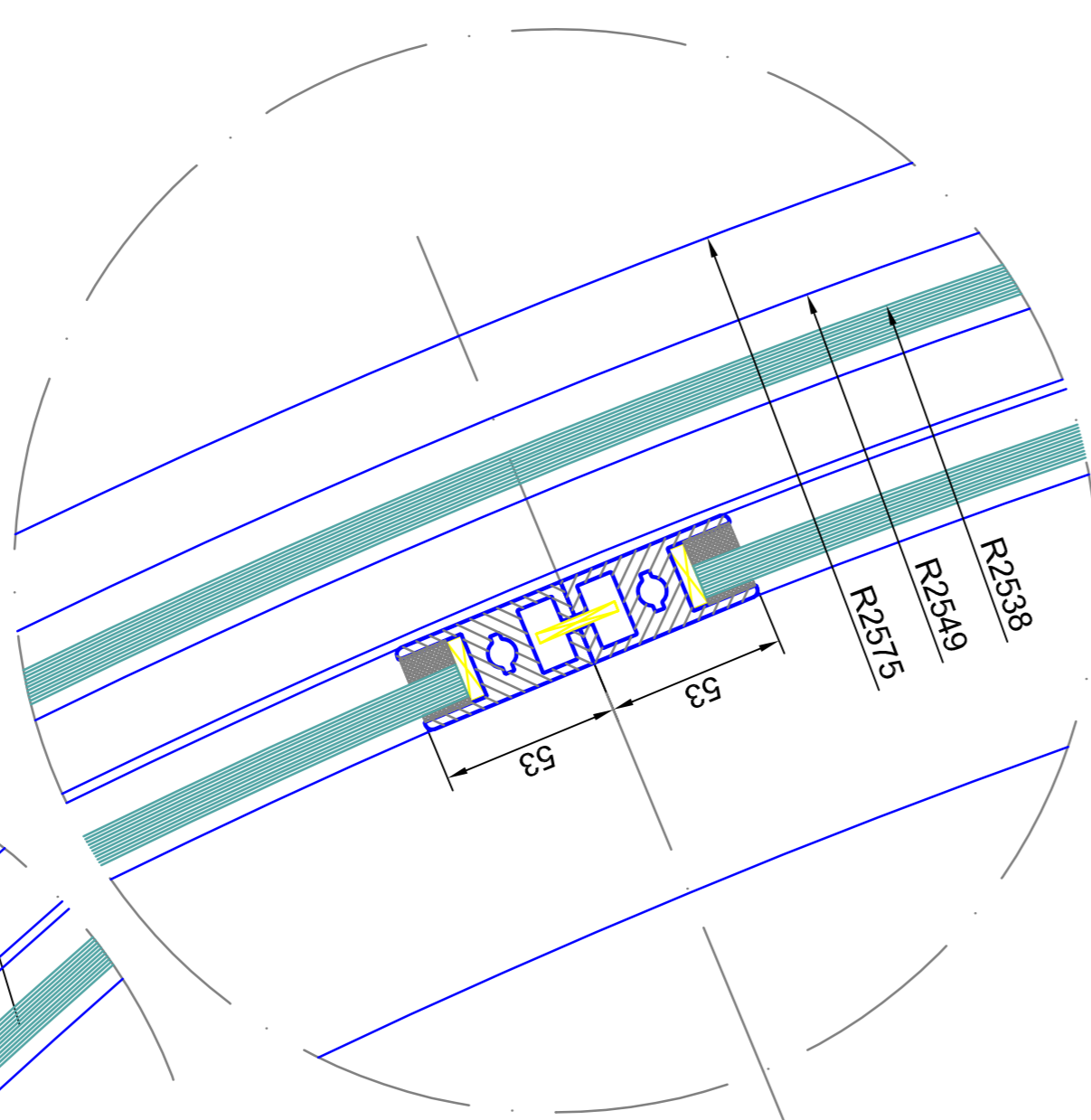
detail D



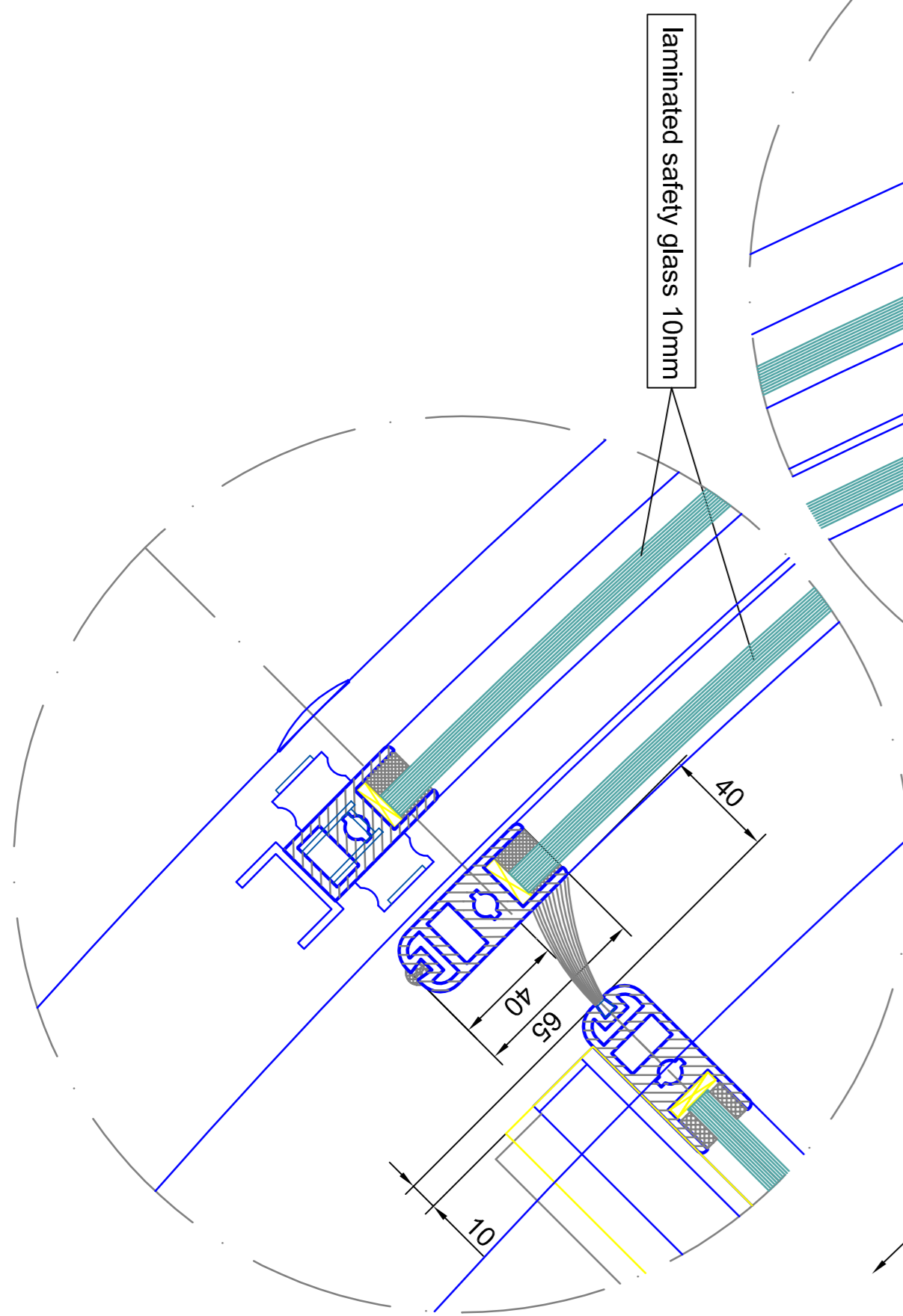
detail C



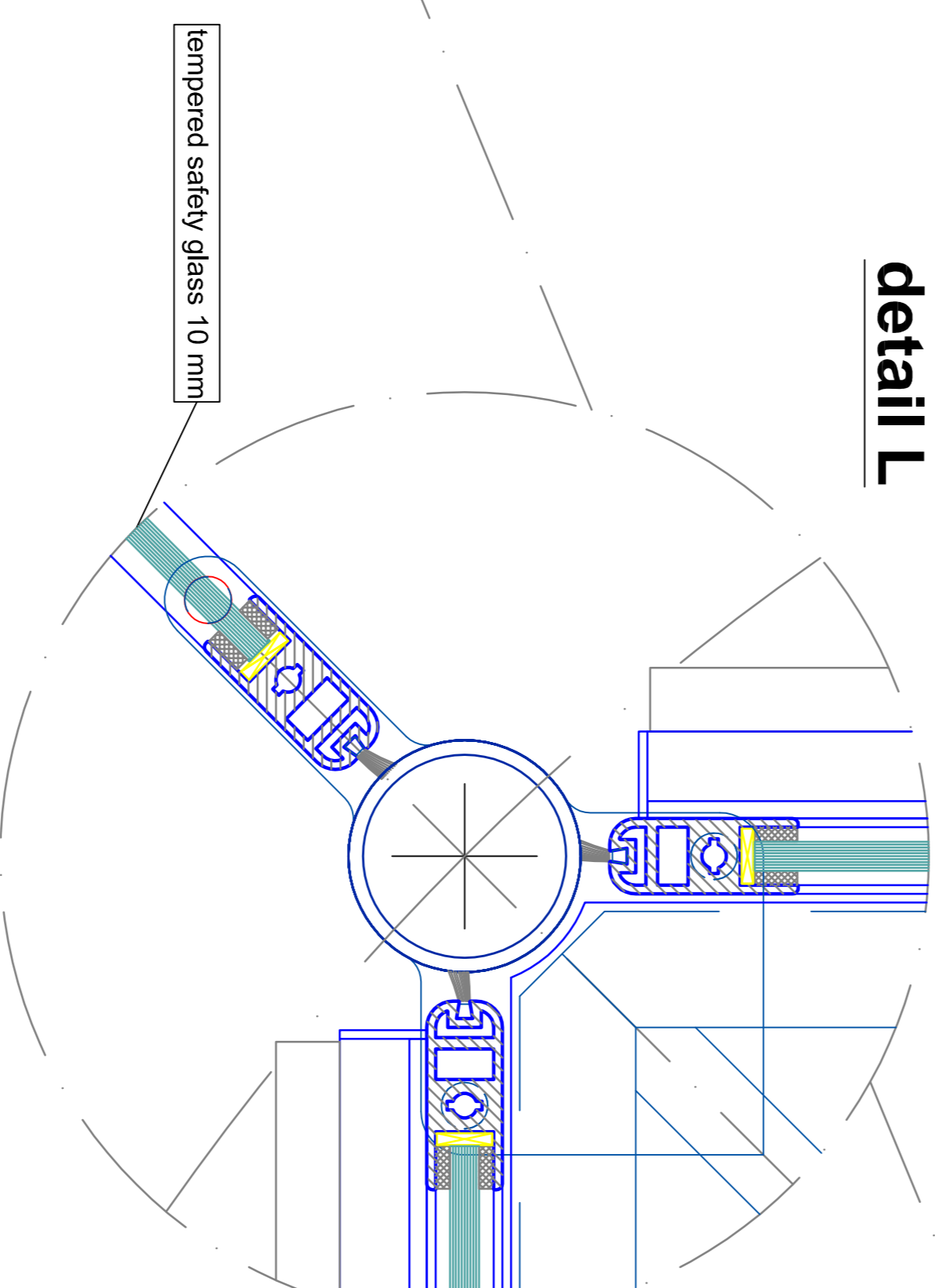
detail B



detail A

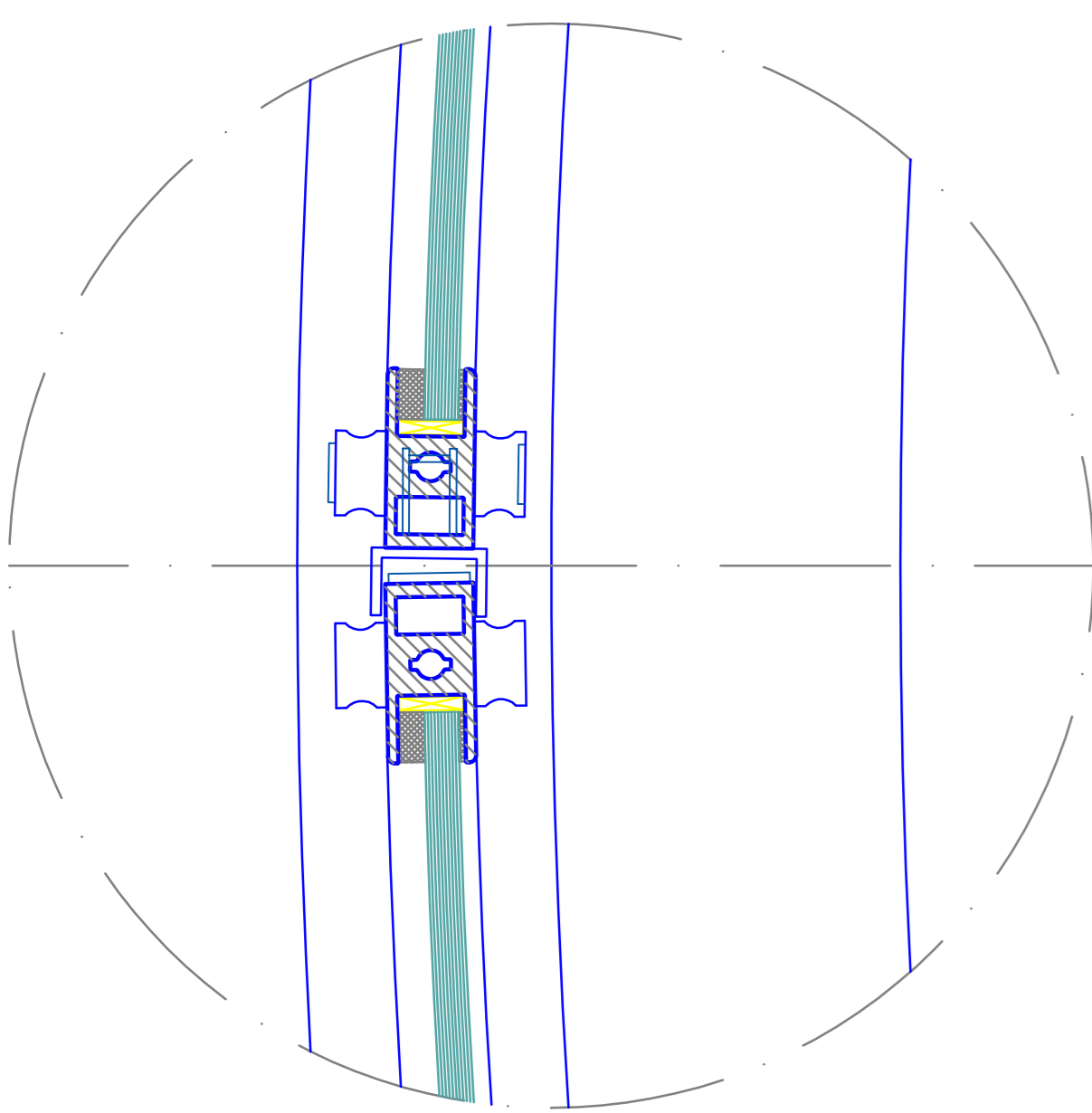


detail L

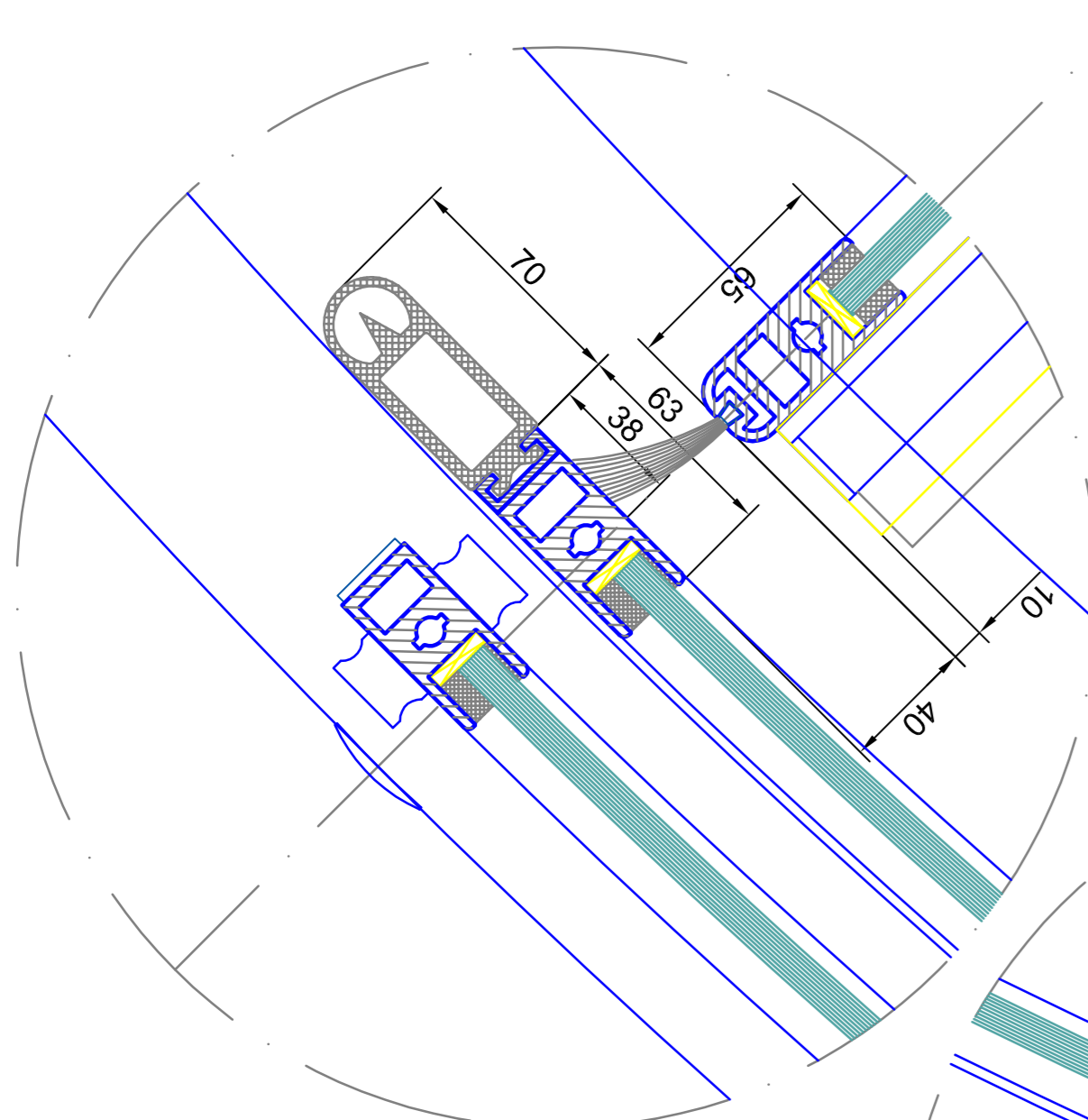


outside

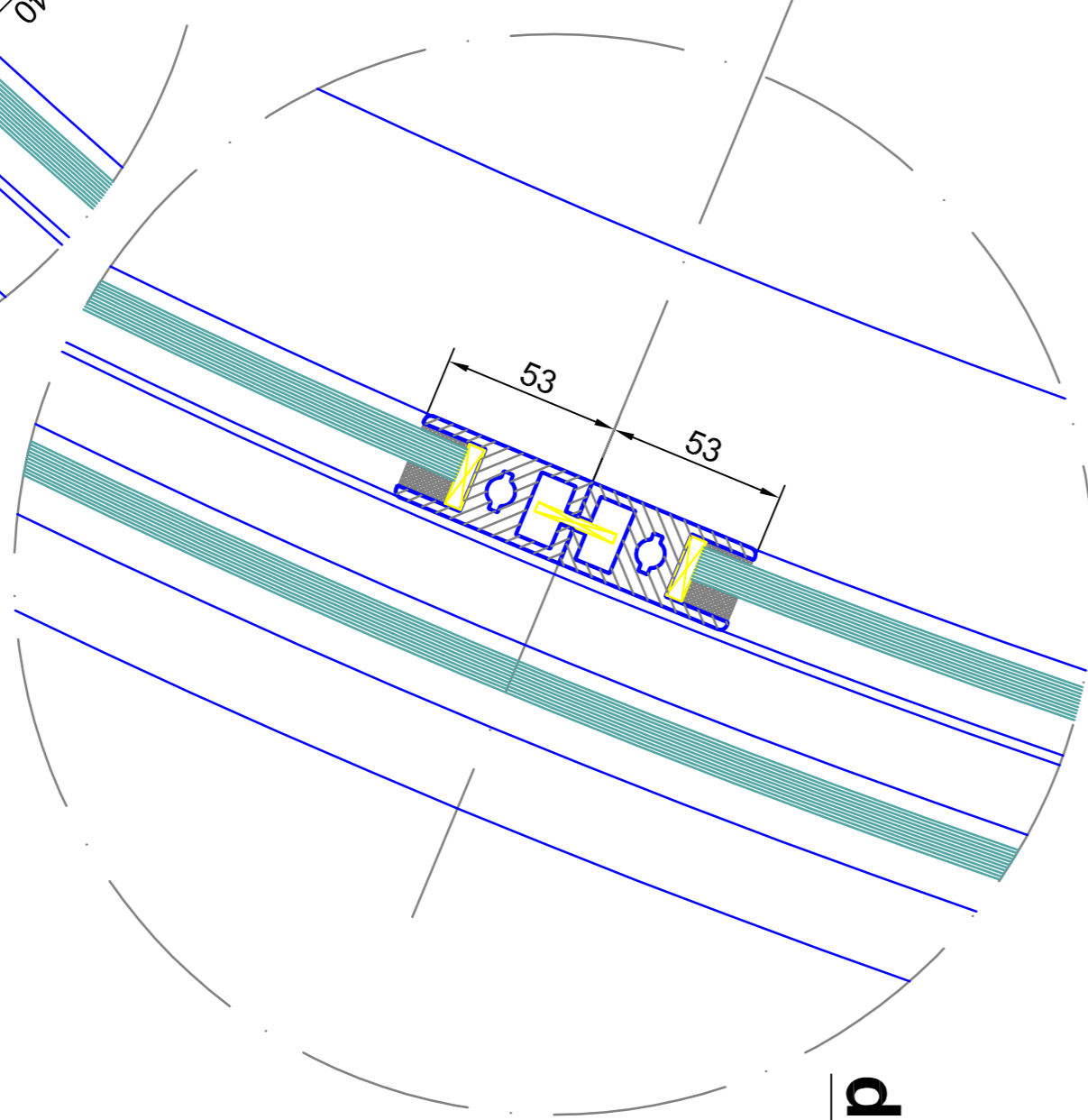
detail K



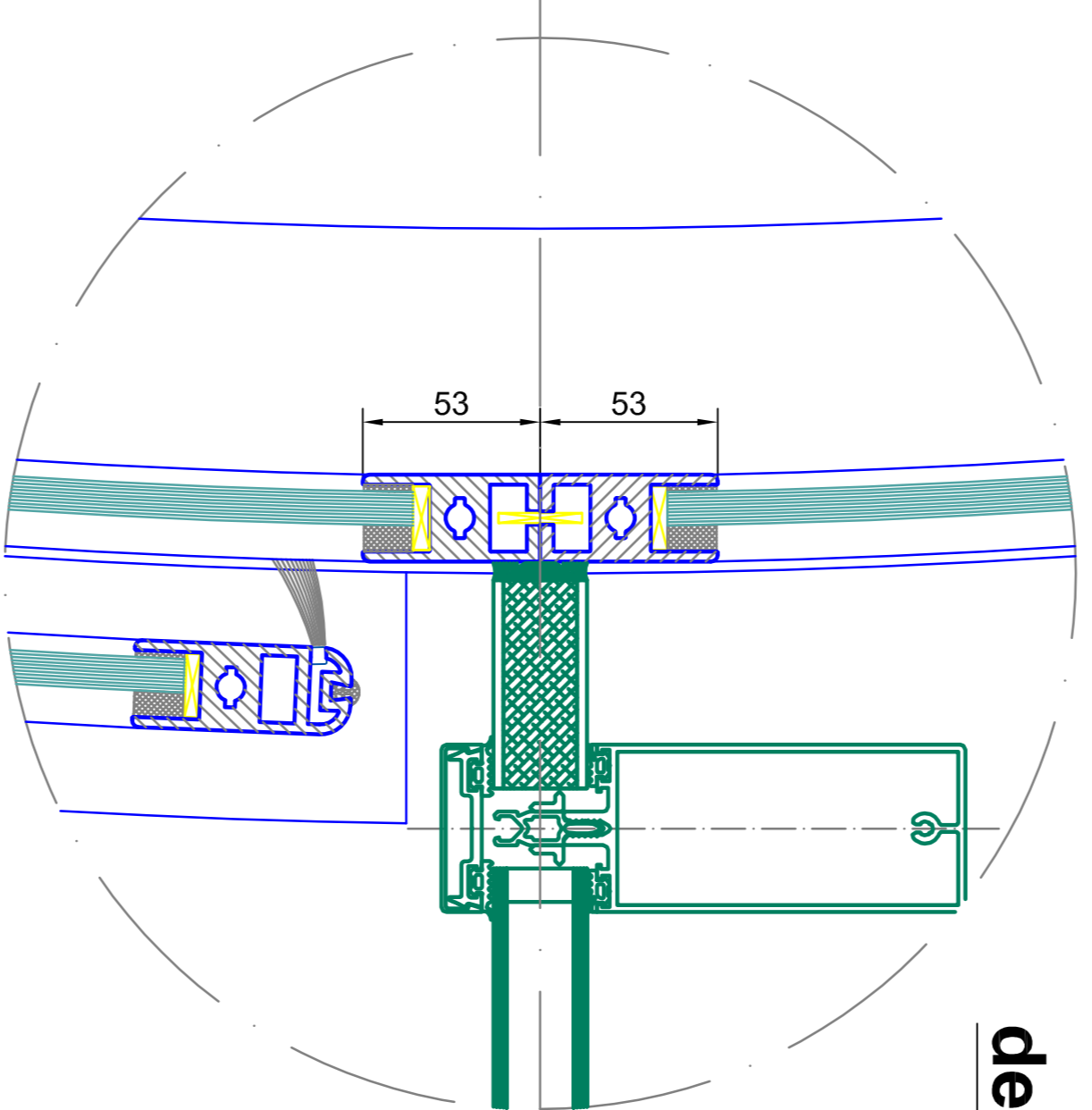
detail J



detail I



detail H



Brand	BLASI	Model	K41-VV1-50
Manufacturer	BLASI	Version	05
Material	Aluminum	Finish	Black
Weight	2.5 kg	Height	150 mm
Width	150 mm	Depth	150 mm
Installation	Wall	Accessories	None
Notes	<p>1. Laminated safety glass 10 mm</p> <p>2. Tempered safety glass 10 mm</p>		
Technical Information	<p>BLASI Group</p> <p>Automatic Doors</p> <p>Office Street 5-16</p> <p>0 - 11131 Milano</p> <p>Italy</p> <p>Phone: +39 02 760001</p> <p>Fax: +39 02 760002</p> <p>Email: info@blasi.com</p> <p>Website: www.blasi.com</p>		
Project	K41-VV1-50 Break Out		
Client	SAMPLE DRAWING ONLY		
Scale	1:1		
Date	2023-10-27		