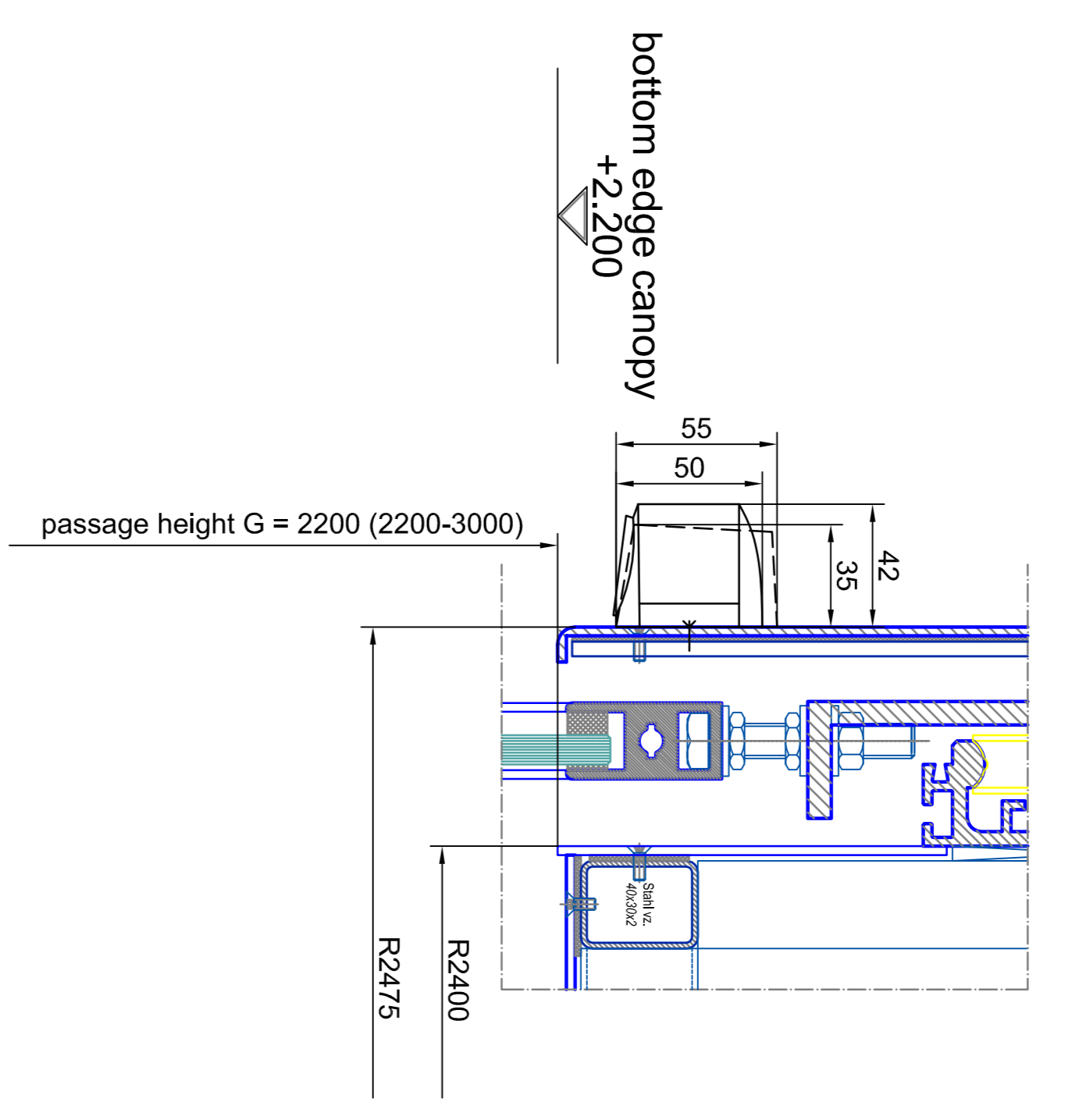


outside

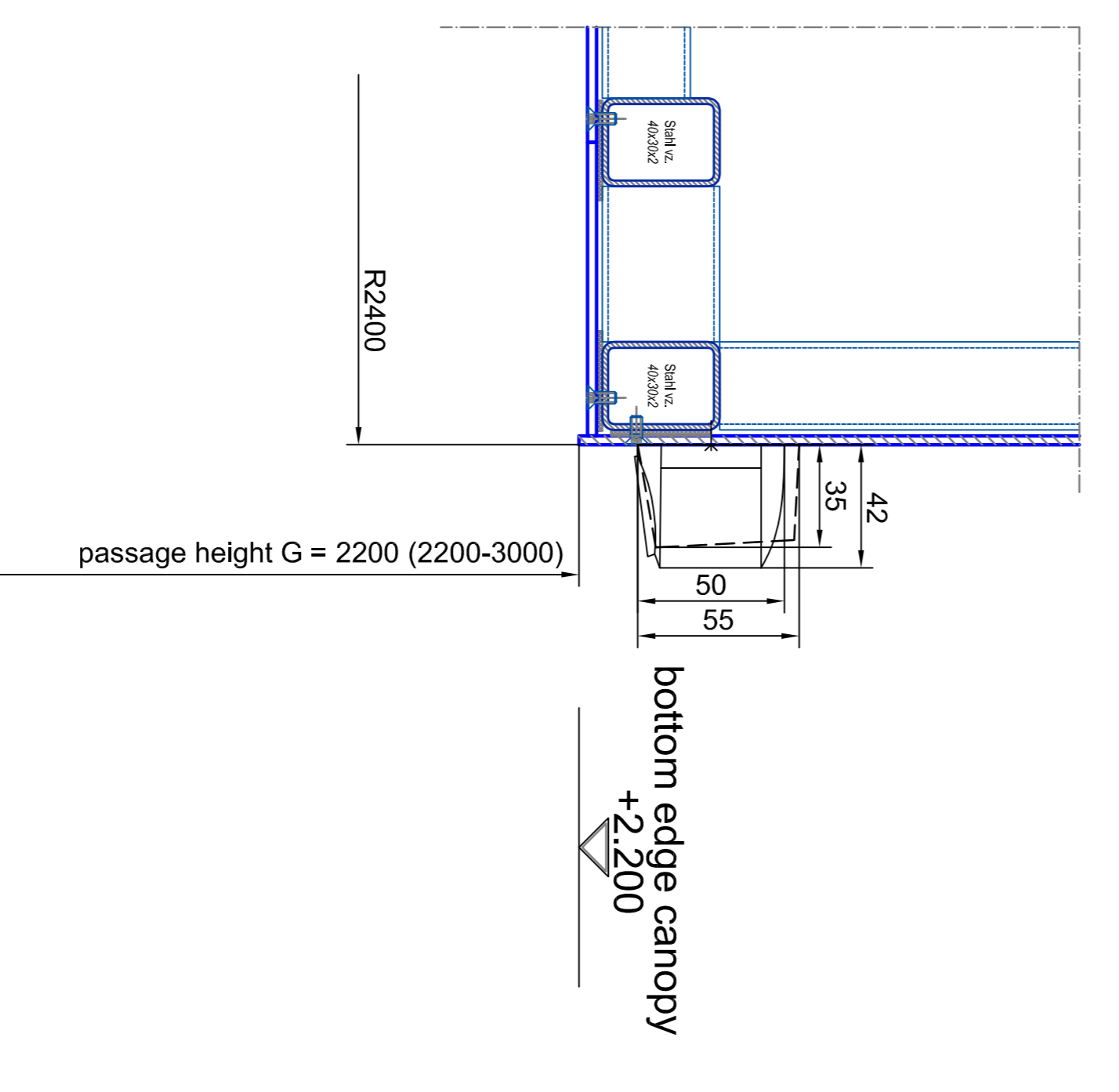
vertical section

inside

vertical section -  
passage area outside  
A0 - M 1:2

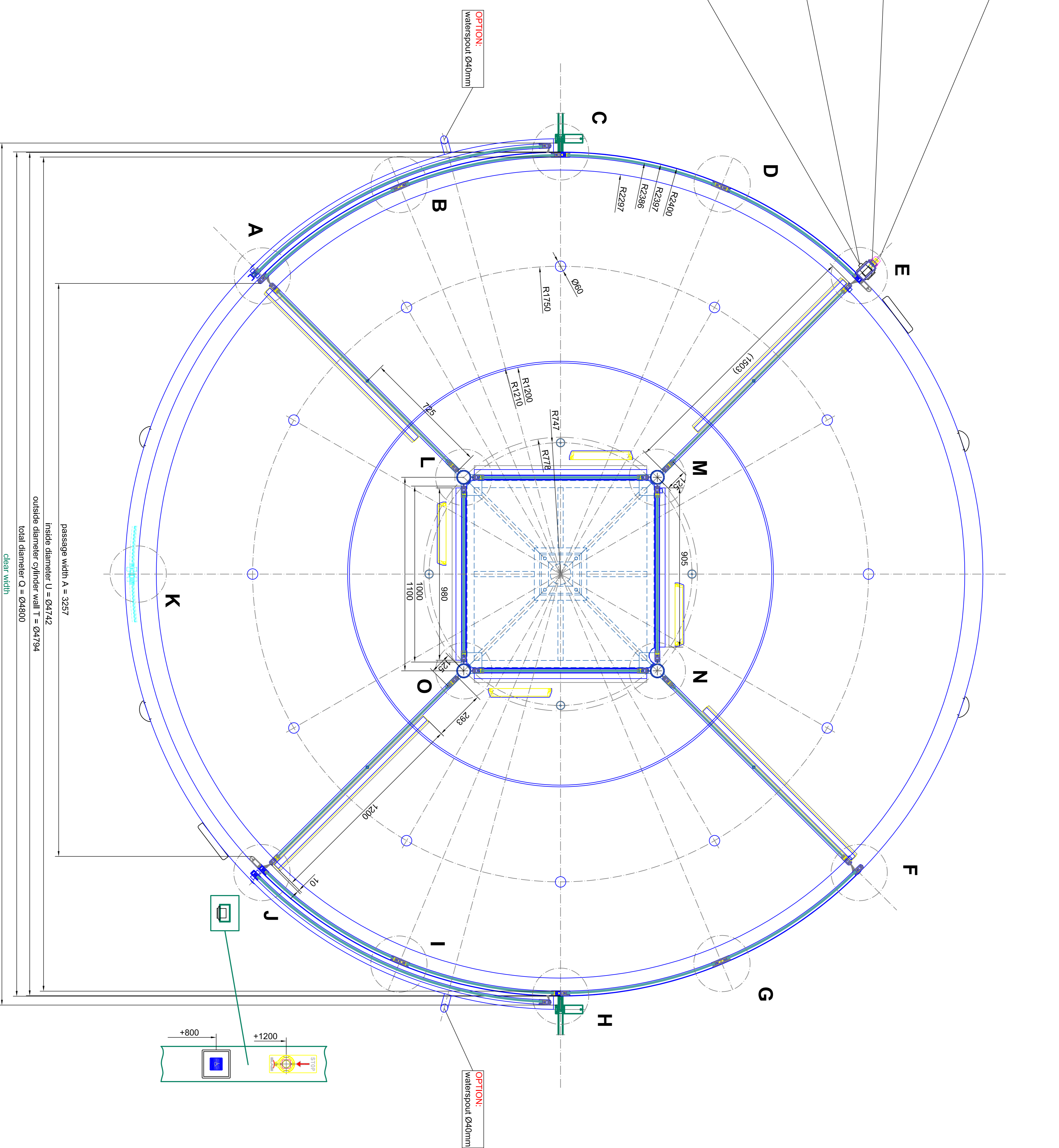
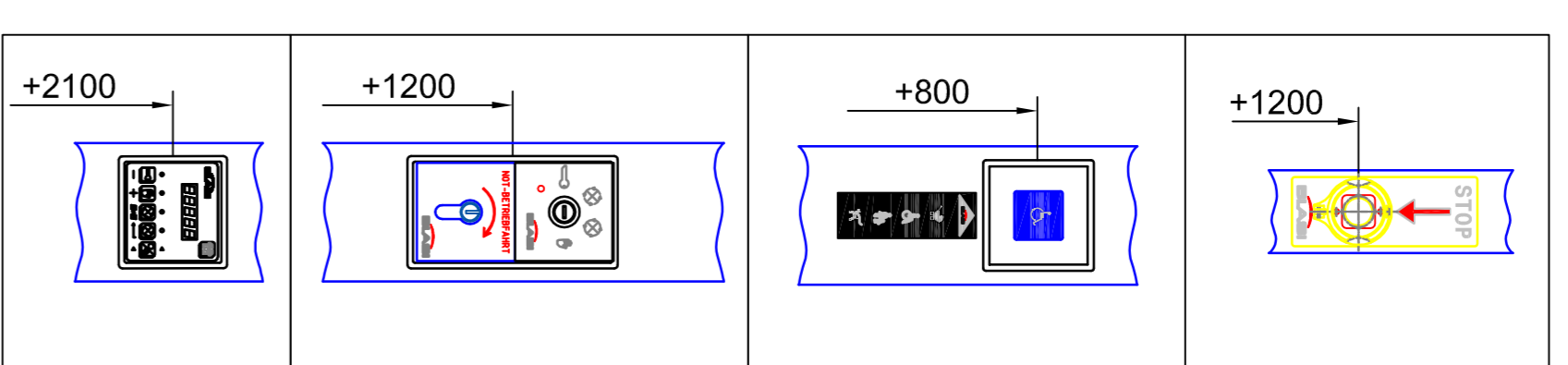


vertical section -  
passage area inside  
A0 - M 1:2



Scale:	A4 (ratio 1:1)	Scale:	A4=1:10
Sheet:	304.44	Project:	K41-V/VM/MA-48 Break Out
Door:	Tempered safety glass 10 mm	Contract:	SAMPLE DRAWING ONLY
Glass:	Laminated safety glass 10 mm	Client:	
Manufacturer:		Contract No.:	
Product:		Year:	
Order No.:		Page:	01
Accessories:		Page:	05

**BLASI**  
 B L A S I G m b H  
 Automatic Doors  
 Ost-Str. 5-15  
 D - 71737 Ulmberg  
 Tel. +49(0)7141 / 883-230  
 Fax. +49(0)7141 / 883-239  
 E-mail: info@blasi.de  
 WWW: Blasi.de · 1160



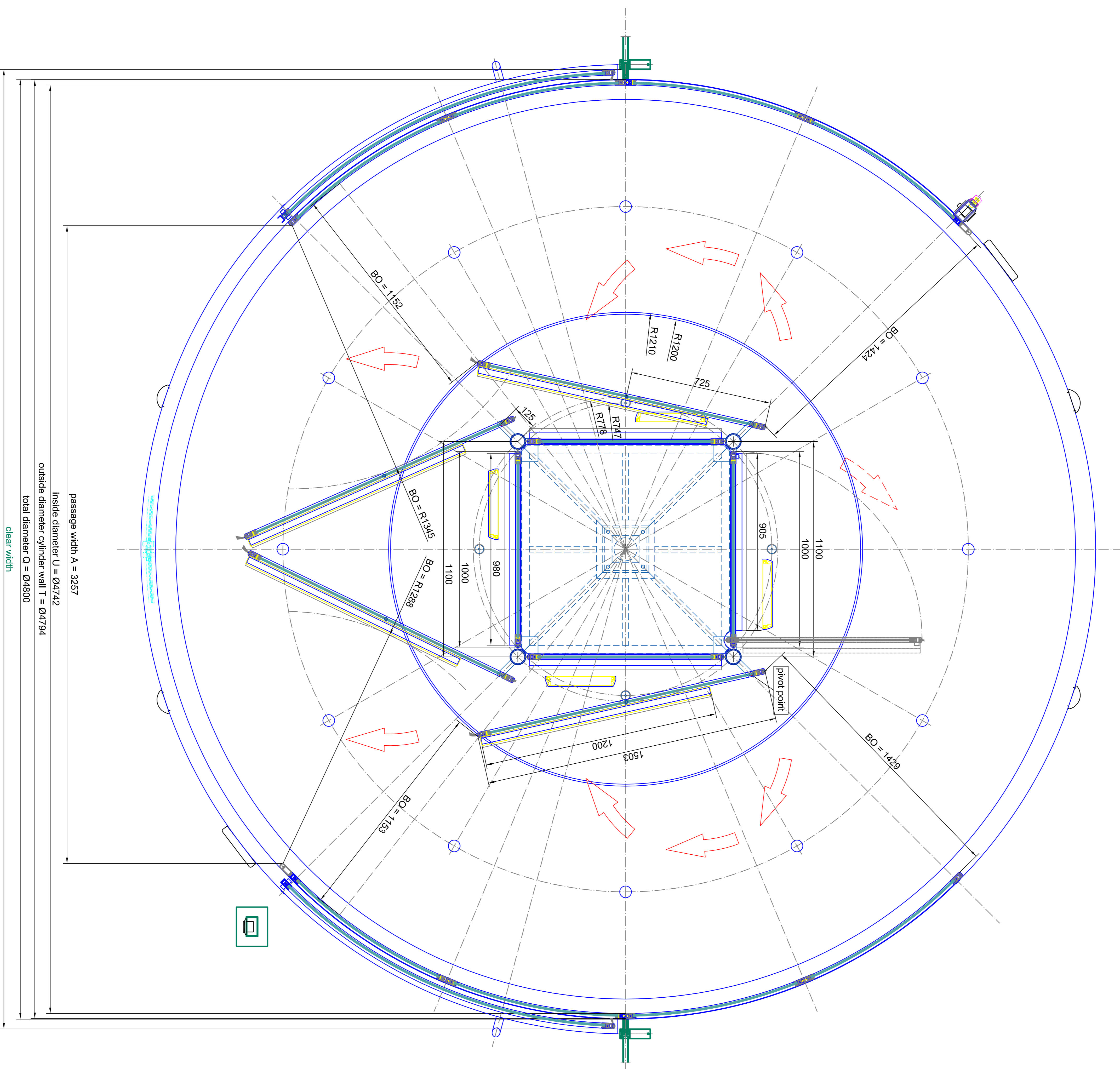
horizontal section - door in standard position

outside

inside

<b>BLASI</b> Automatic Doors Via S. Maria 10, 37060 Sommacampagna (Verona) Italy Tel. +39 0471 901111 Fax. +39 0471 901112 Email: info@blasi.it Website: www.blasi.it		<b>BLASI</b> Automatic Doors Via S. Maria 10, 37060 Sommacampagna (Verona) Italy Tel. +39 0471 901111 Fax. +39 0471 901112 Email: info@blasi.it Website: www.blasi.it	
Model: <b>AE-H10</b> Code: <b>K41-V/IN/MA-48</b> Description: <b>Break Out SAMPLE DRAWING ONLY</b>	Material: <b>Aluminum</b> Color: <b>White</b> Glass: <b>Laminated safety glass 10 mm</b>	Material: <b>Aluminum</b> Color: <b>White</b> Glass: <b>Laminated safety glass 10 mm</b>	Material: <b>Aluminum</b> Color: <b>White</b> Glass: <b>Laminated safety glass 10 mm</b>

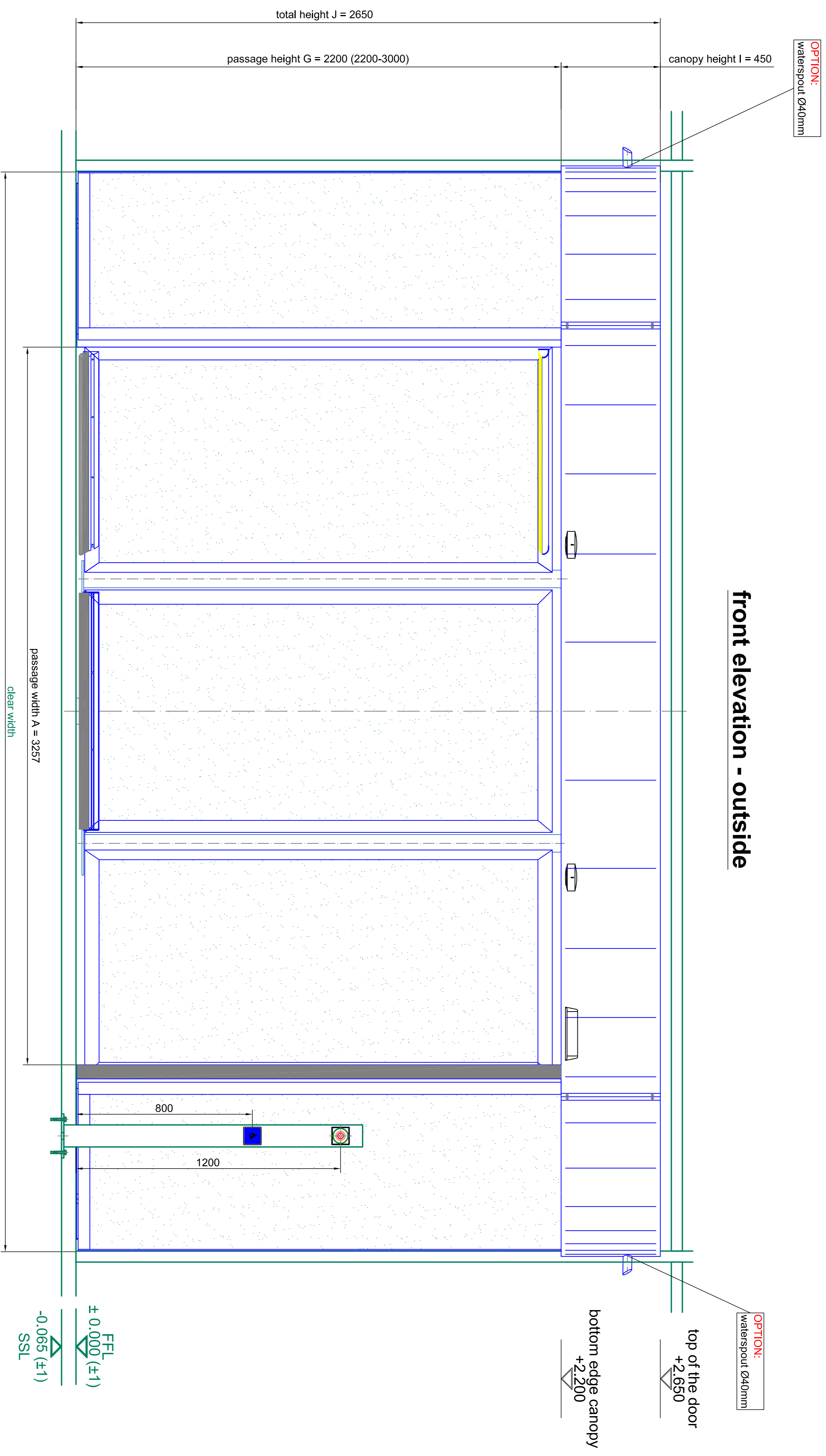
inside



outside

horizontal section - door in break out position

<p><b>BLASI</b></p> <p>B L A S I G m b H Automatic Doors Caf. Dep. Suez S-16 D - 1713 Z. München</p>		<p>Tel. +49(0)221 / 893 - 291 Fax. +49(0)221 / 893 - 299 E-mail: info@blasi.de www.blasi.de</p>	
<p>Model: AM-H10</p>		<p>Project: K41-VV/MMA-48 Break Out SAMPLE DRAWING ONLY</p>	
<p>Material: 304 A4</p>		<p>Glass: 12 mm Laminated safety glass 10 mm</p>	
<p>Standard: EN 16014-3 EN 16014-2</p>		<p>EN 16014-1 EN 16014-2 EN 16014-3</p>	
<p>Drawn: 03</p>		<p>Page: 05</p>	



front elevation - outside

Scale:	1:100 (1/8" = 1')	Project:	K41-VI/VINMA-48 Break Out
Author:	304.44	Client:	SAFETY
Checker:		Contract No.:	
Designer:		Year:	
Material:		Page:	04
Notes:		Page:	05

Material:	tempered safety glass 10 mm	Material:	tempered safety glass 10 mm
Material:	tempered safety glass 10 mm	Material:	tempered safety glass 10 mm

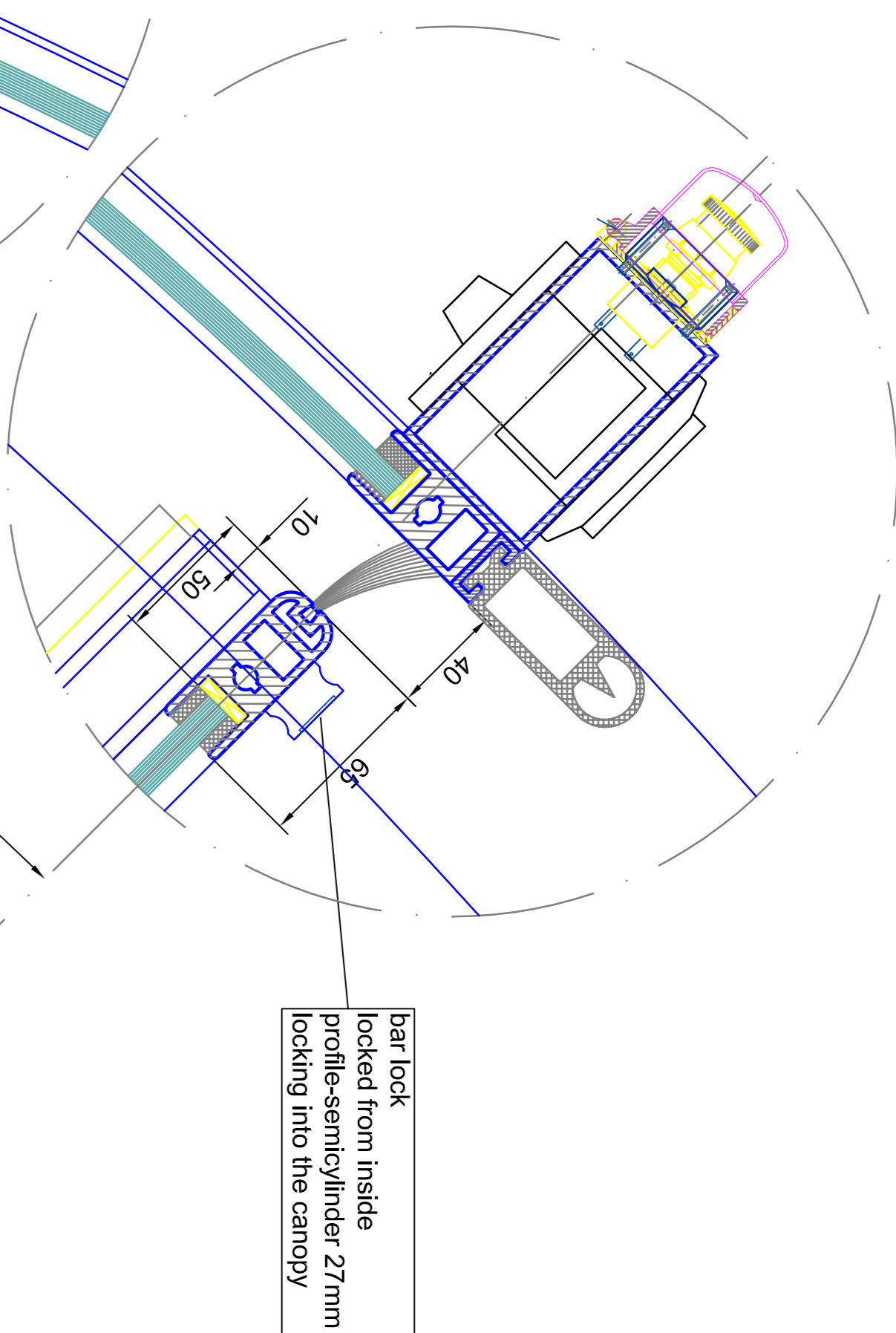
Scale:	A4=1:10	Project:	K41-VI/VINMA-48 Break Out
Author:	304.44	Client:	SAFETY
Checker:		Contract No.:	
Designer:		Year:	
Material:		Page:	04
Notes:		Page:	05

Scale:	A4=1:10	Project:	K41-VI/VINMA-48 Break Out
Author:	304.44	Client:	SAFETY
Checker:		Contract No.:	
Designer:		Year:	
Material:		Page:	04
Notes:		Page:	05

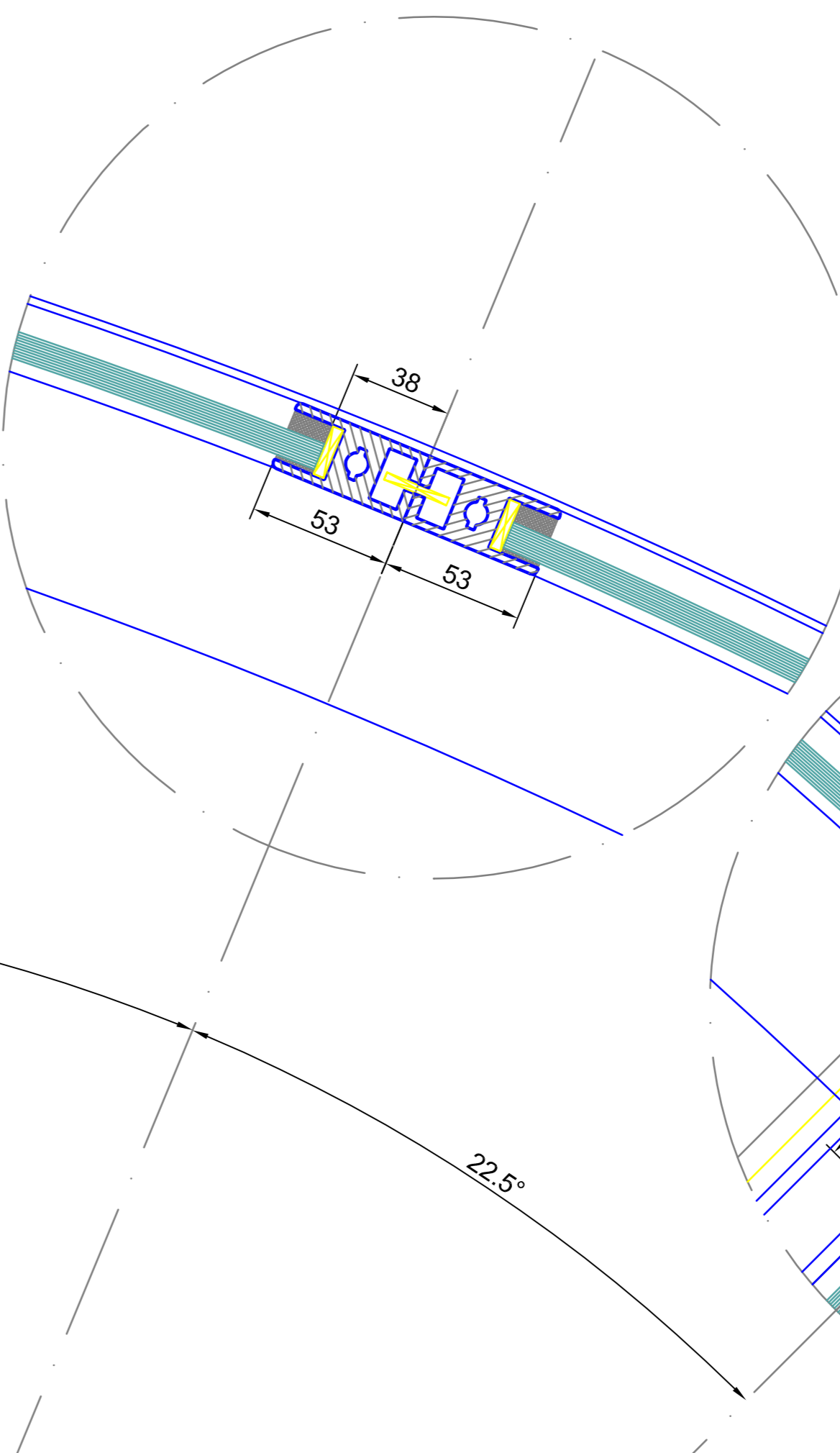
BLASI  
 Automatic Doors  
 8 L A S T G m b H  
 Ost-Str. 5-15  
 D-71737 Tübingen  
 Tel. +49(0)7141 / 883-230  
 Fax. +49(0)7141 / 883-239  
 E-mail: info@blasi.de  
 WWW: Blasi.de

detail E

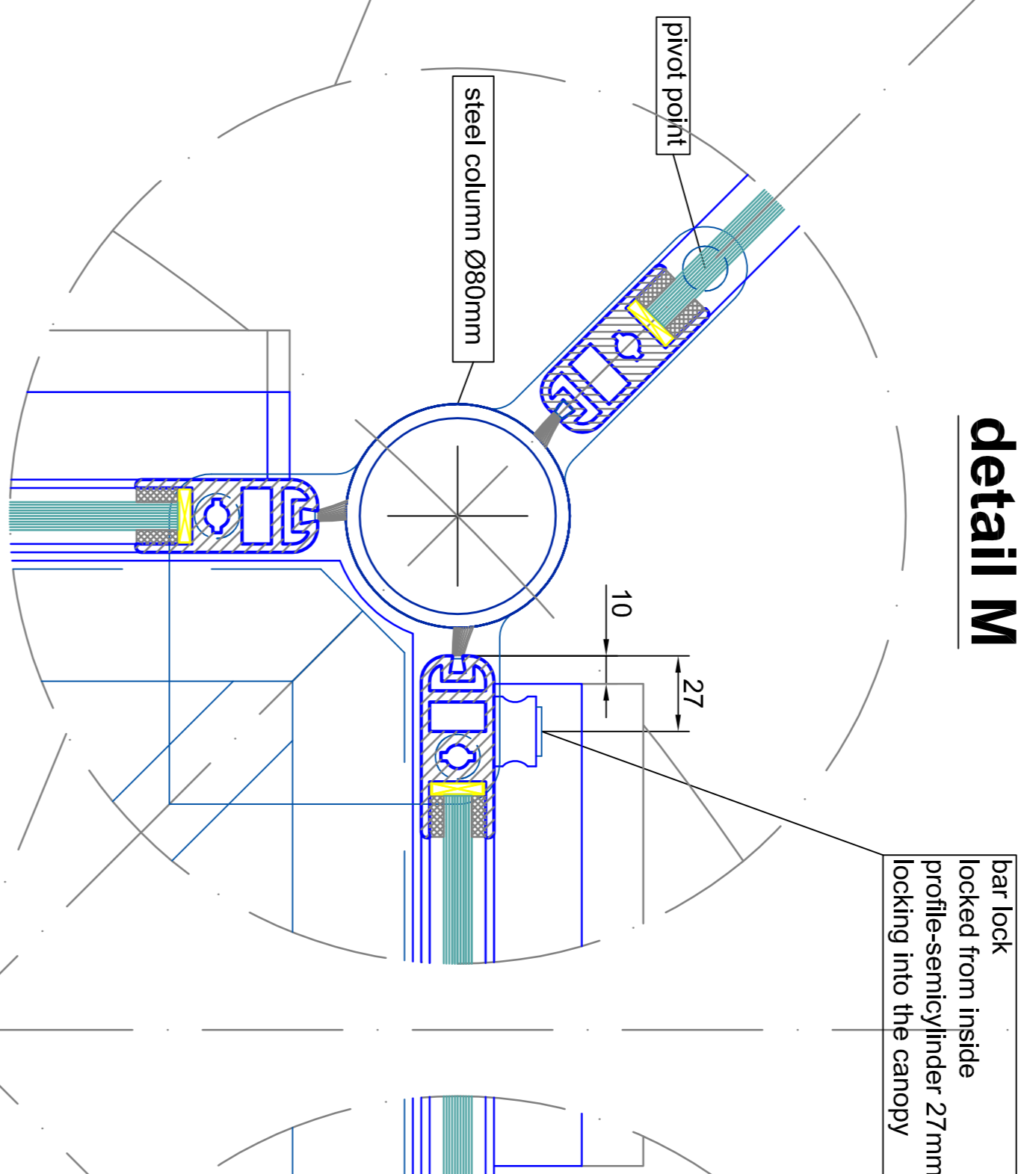


inside

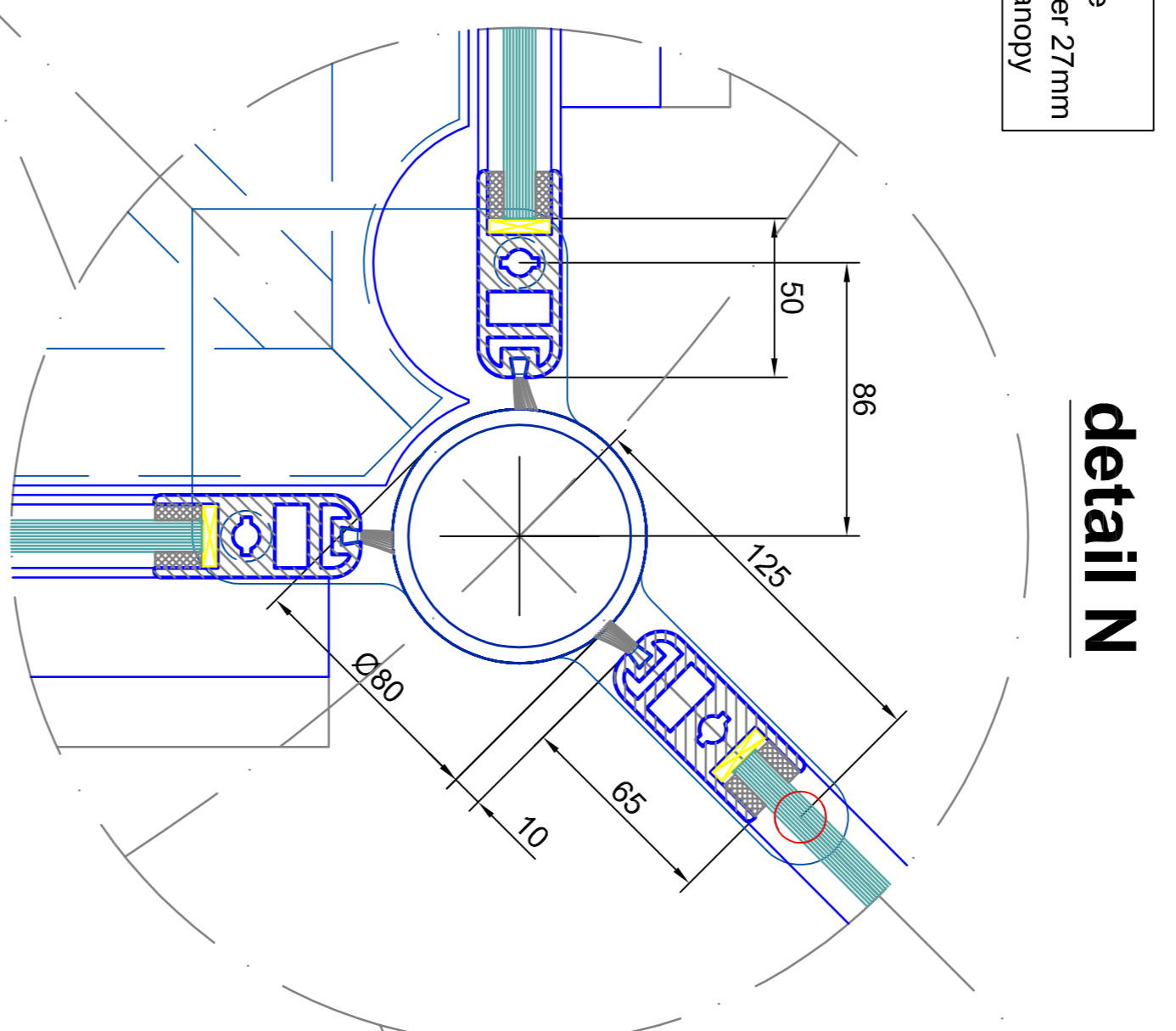
detail D



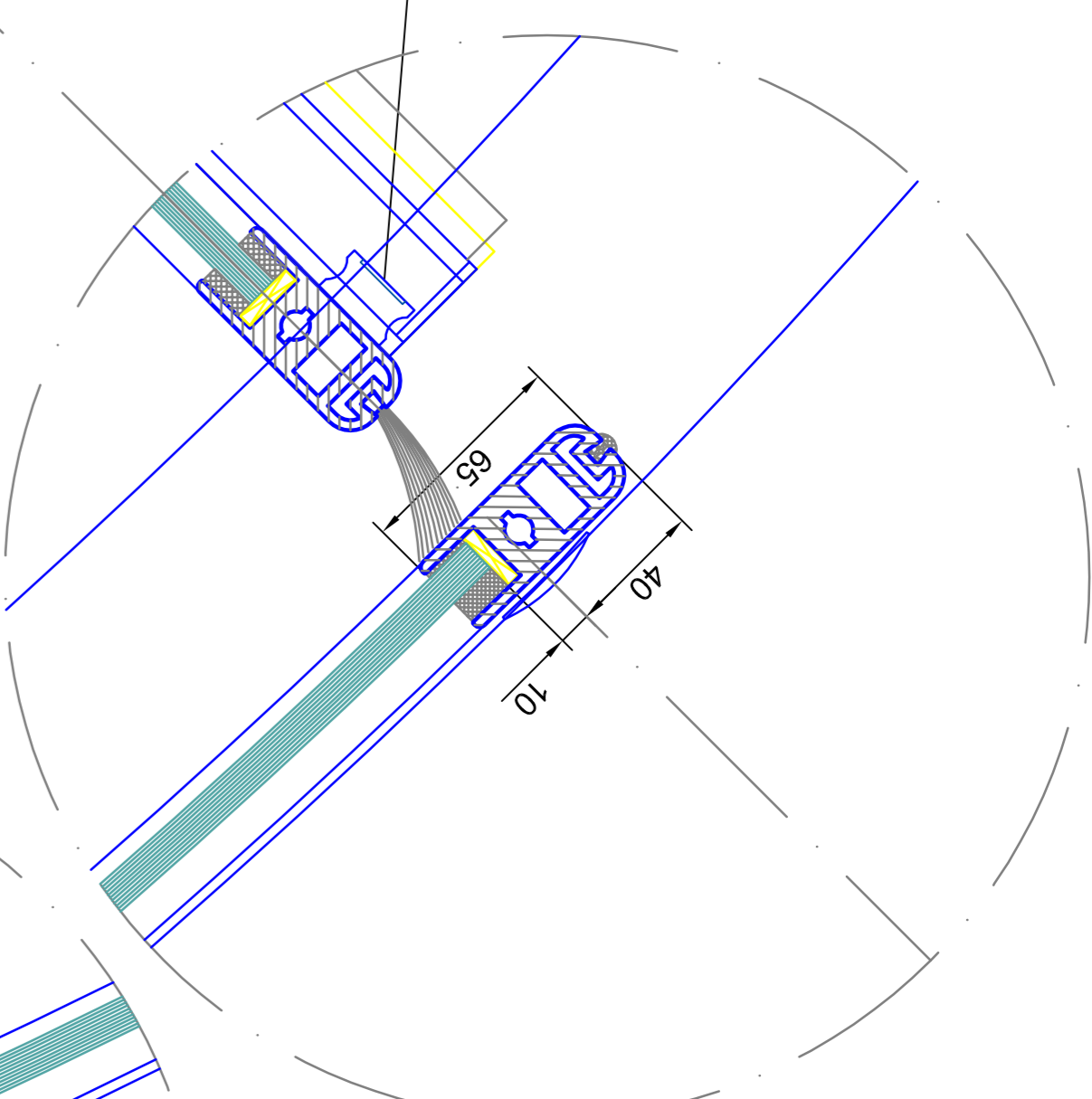
detail M



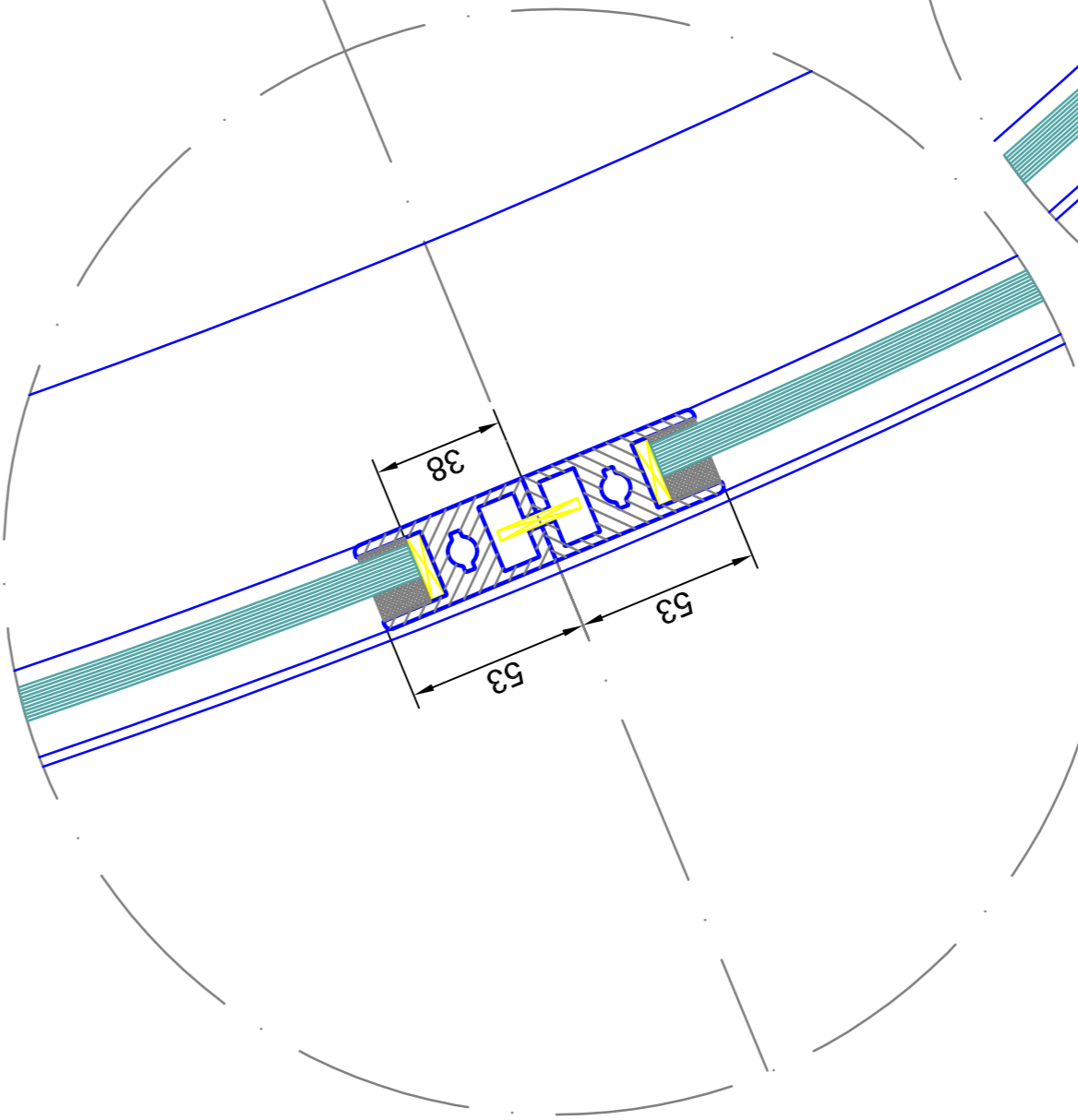
detail N



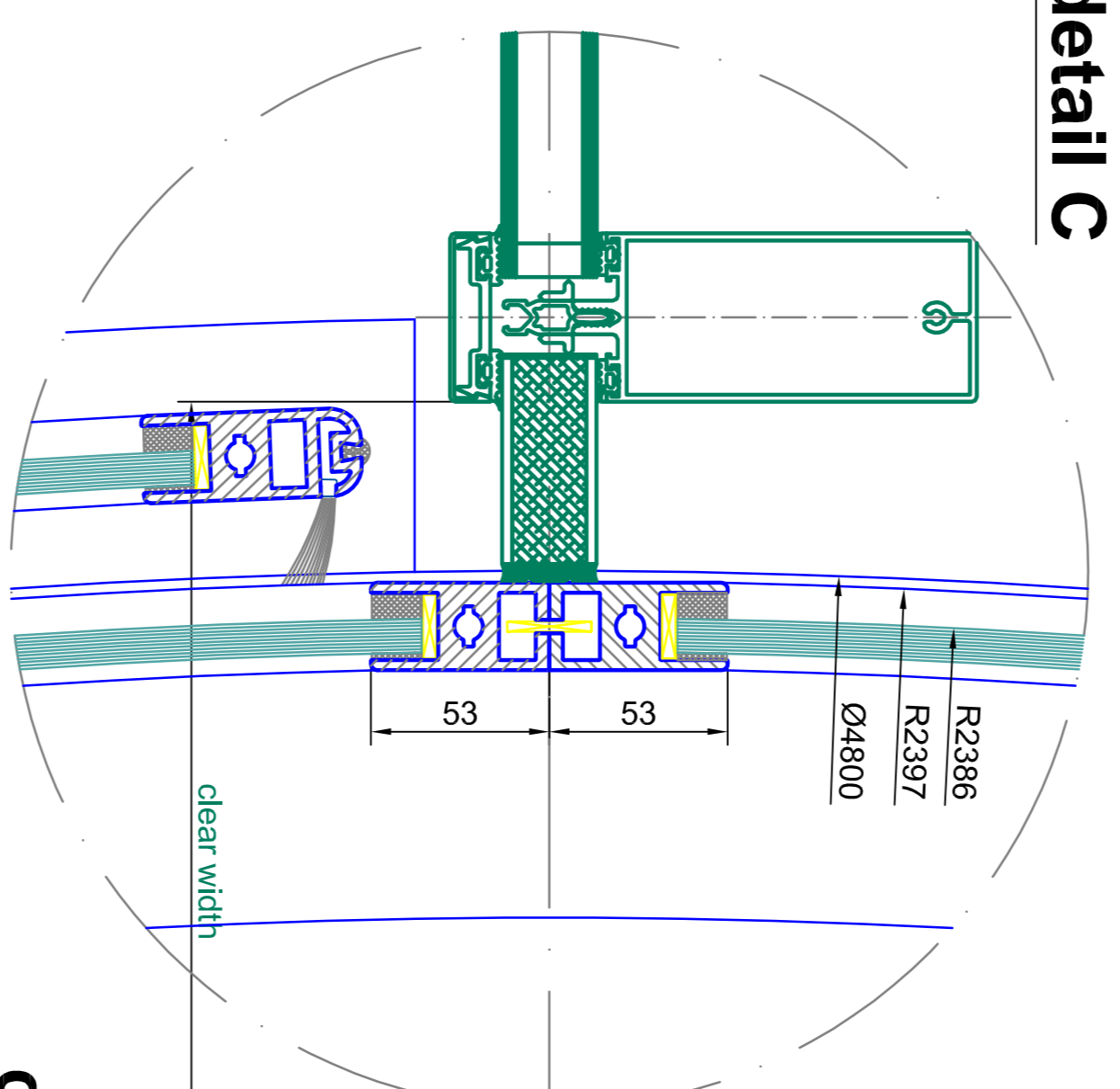
detail F



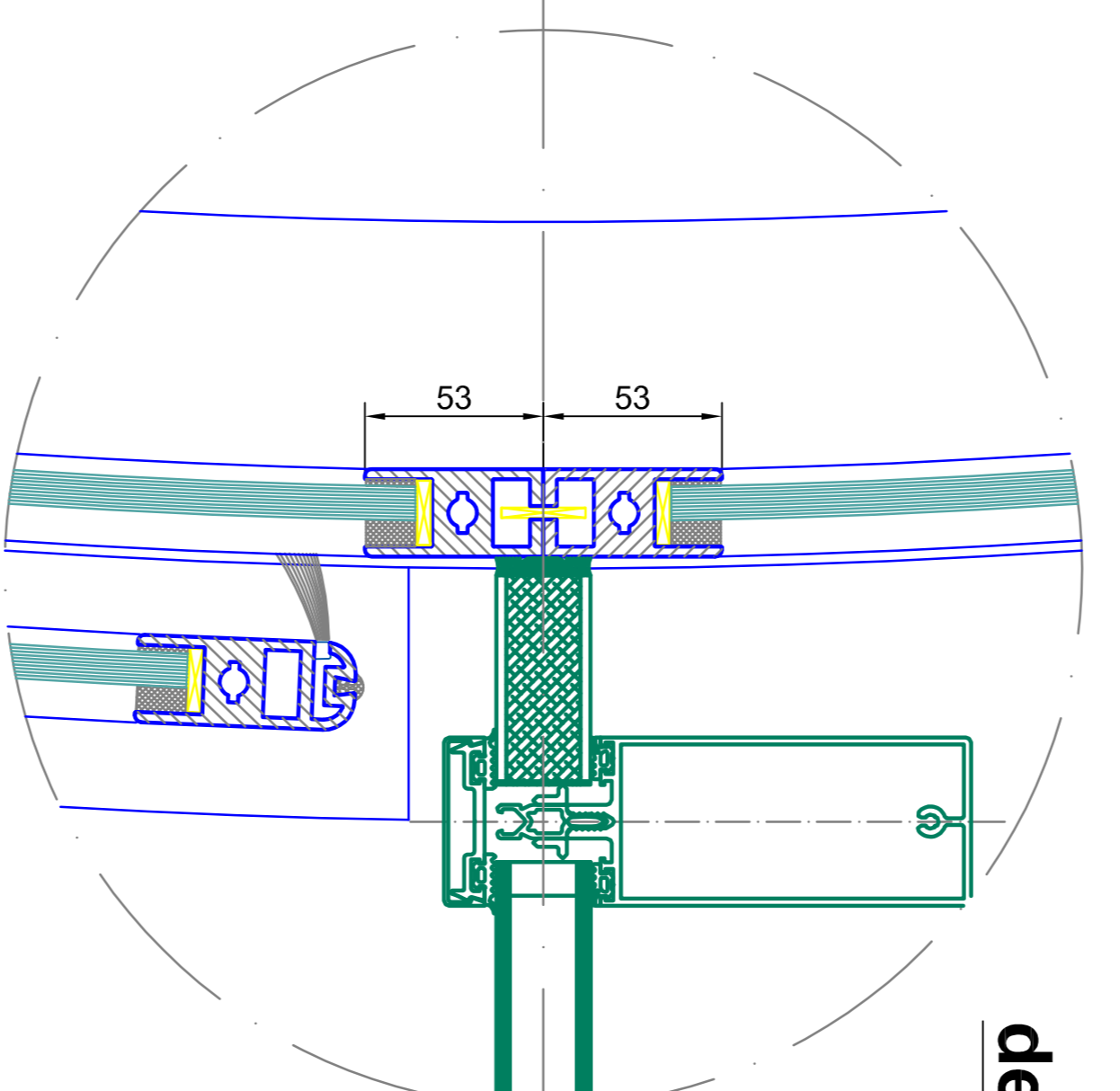
detail G



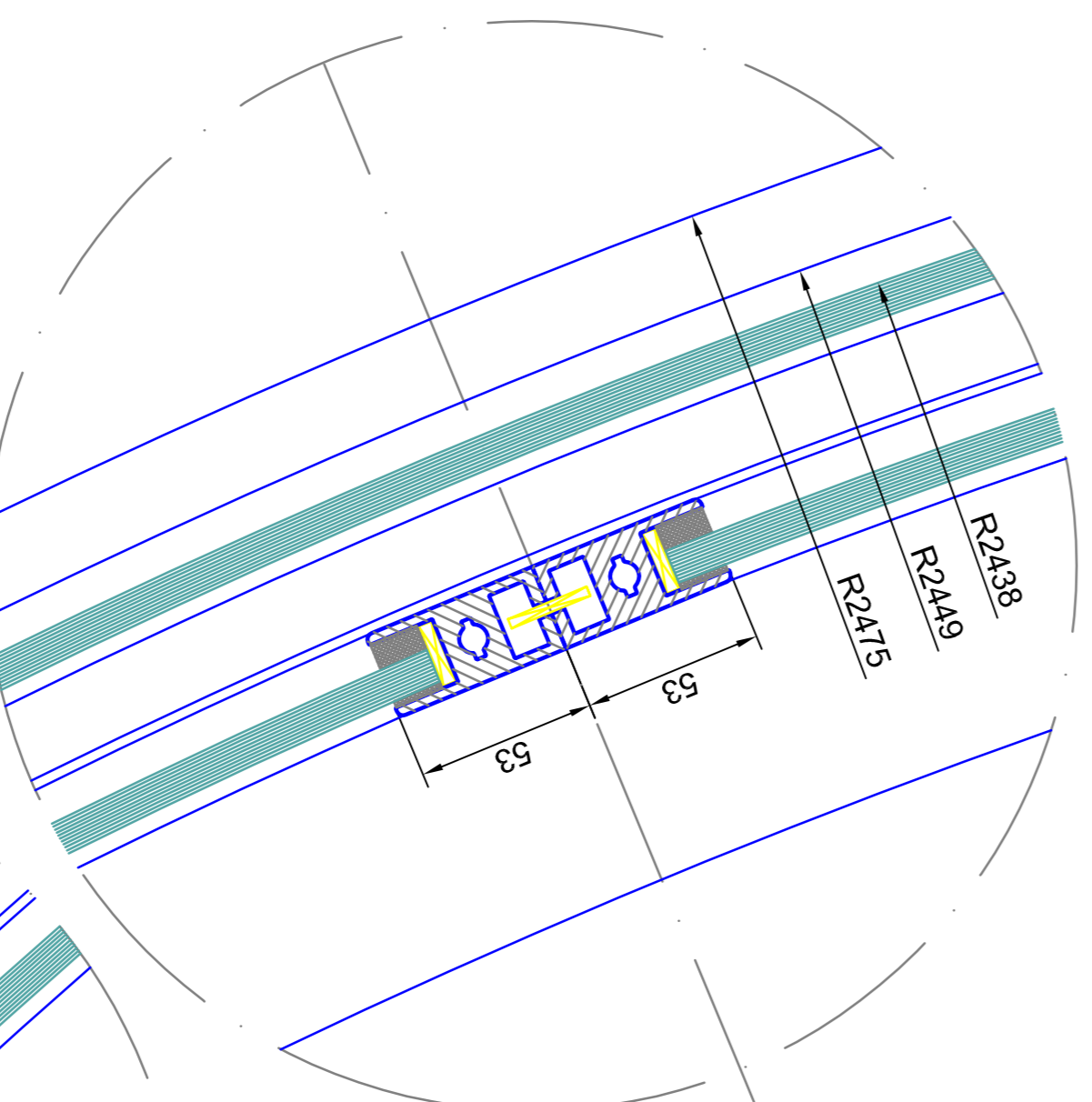
detail C



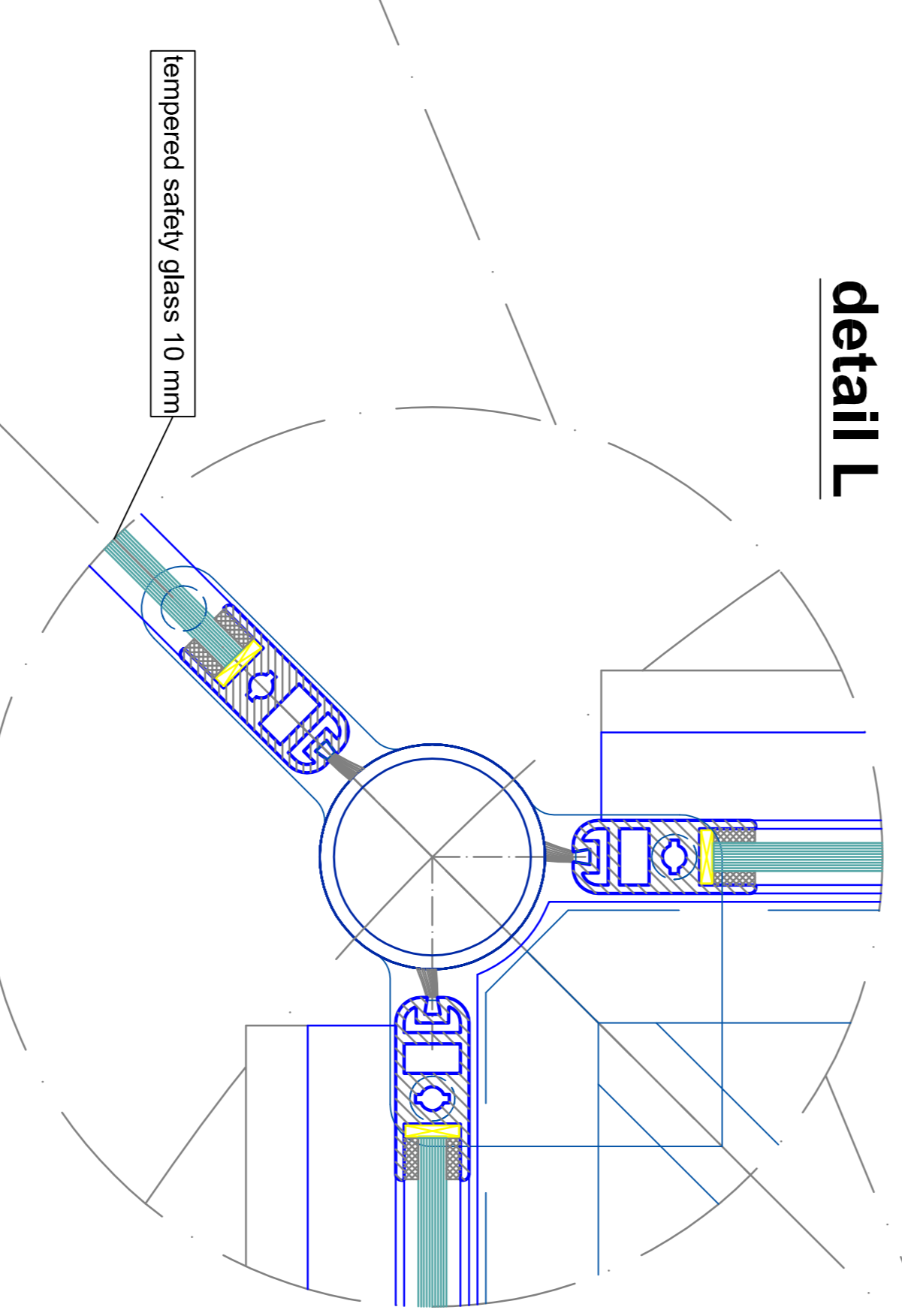
detail H



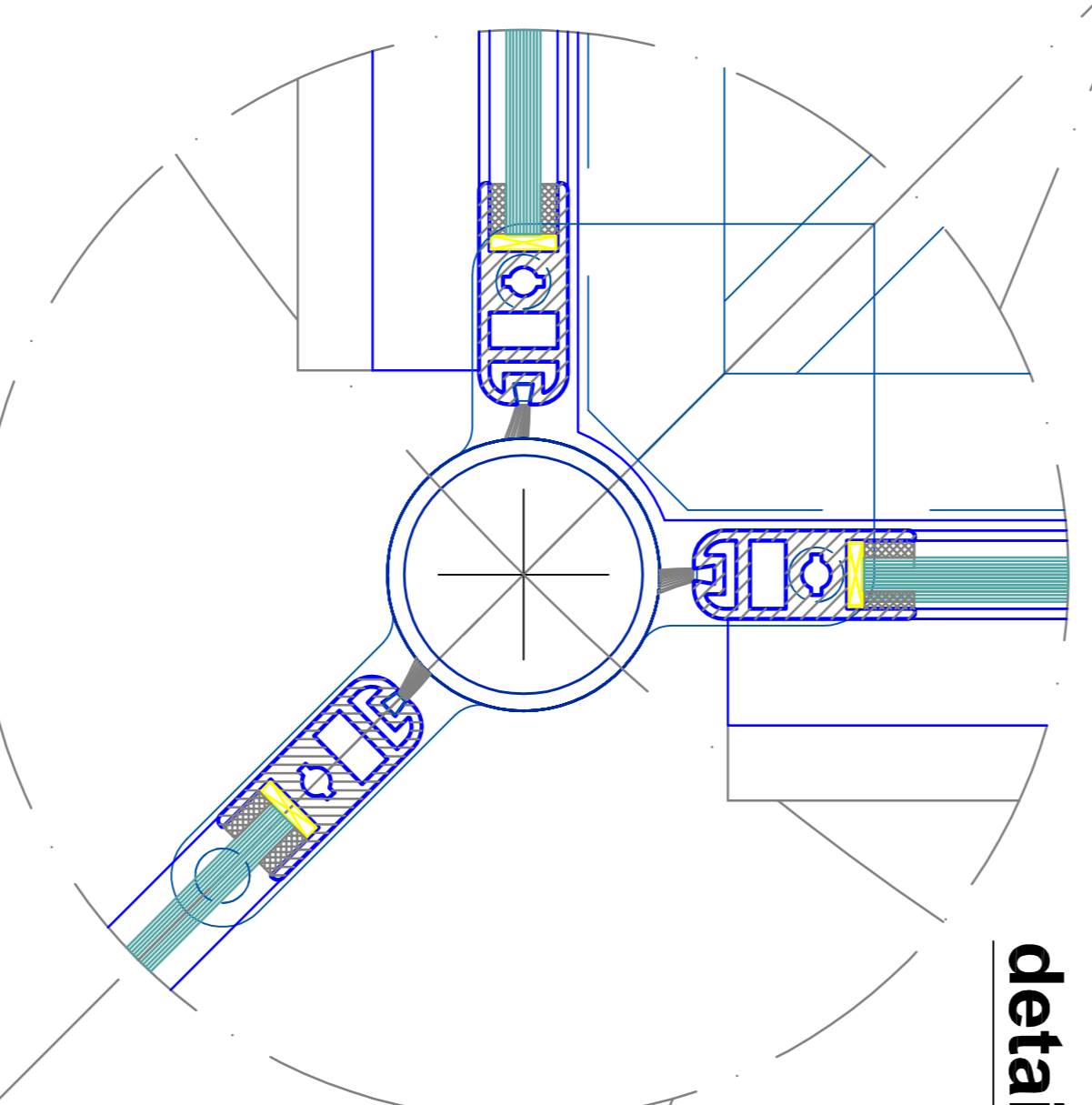
detail B



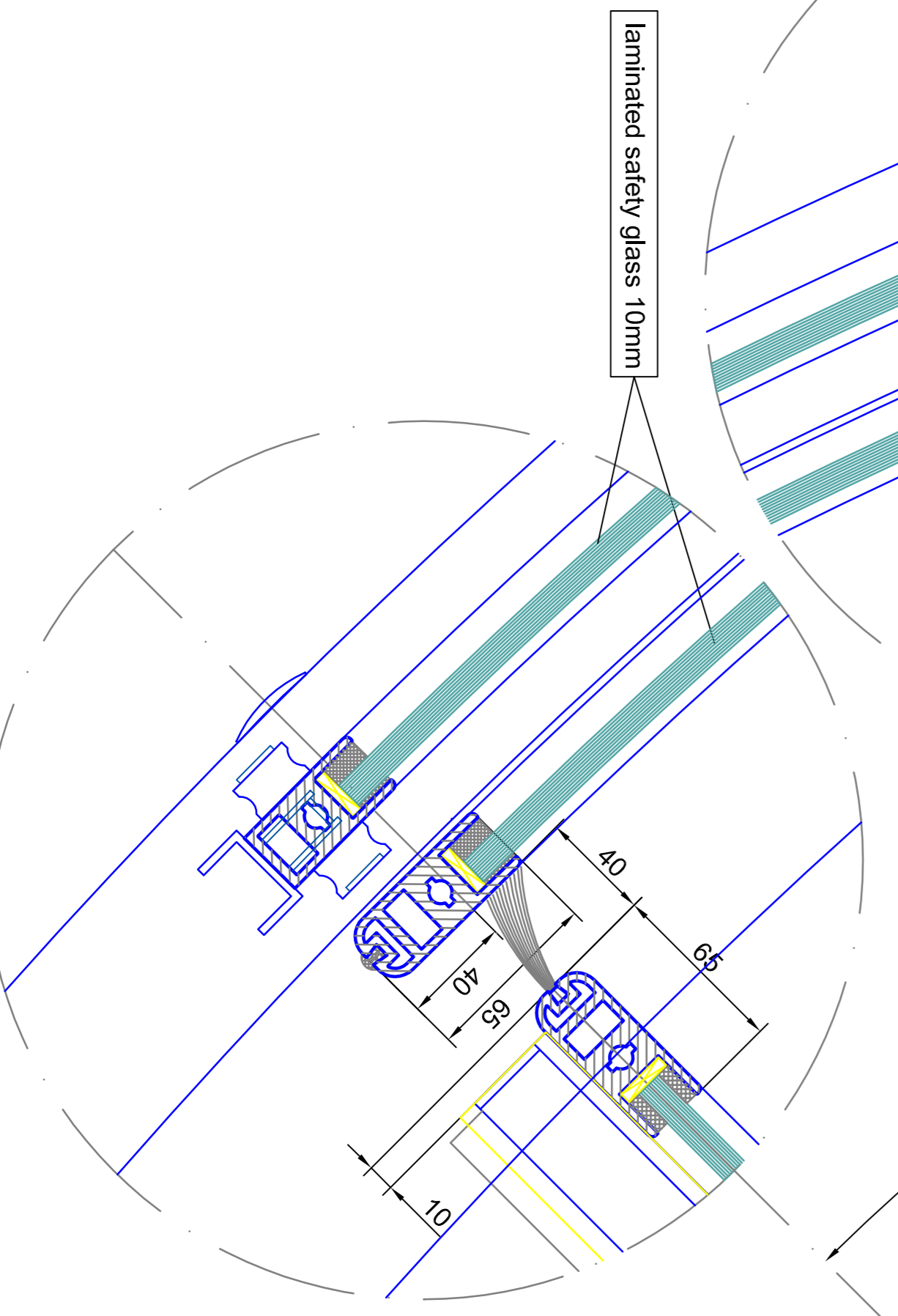
detail L



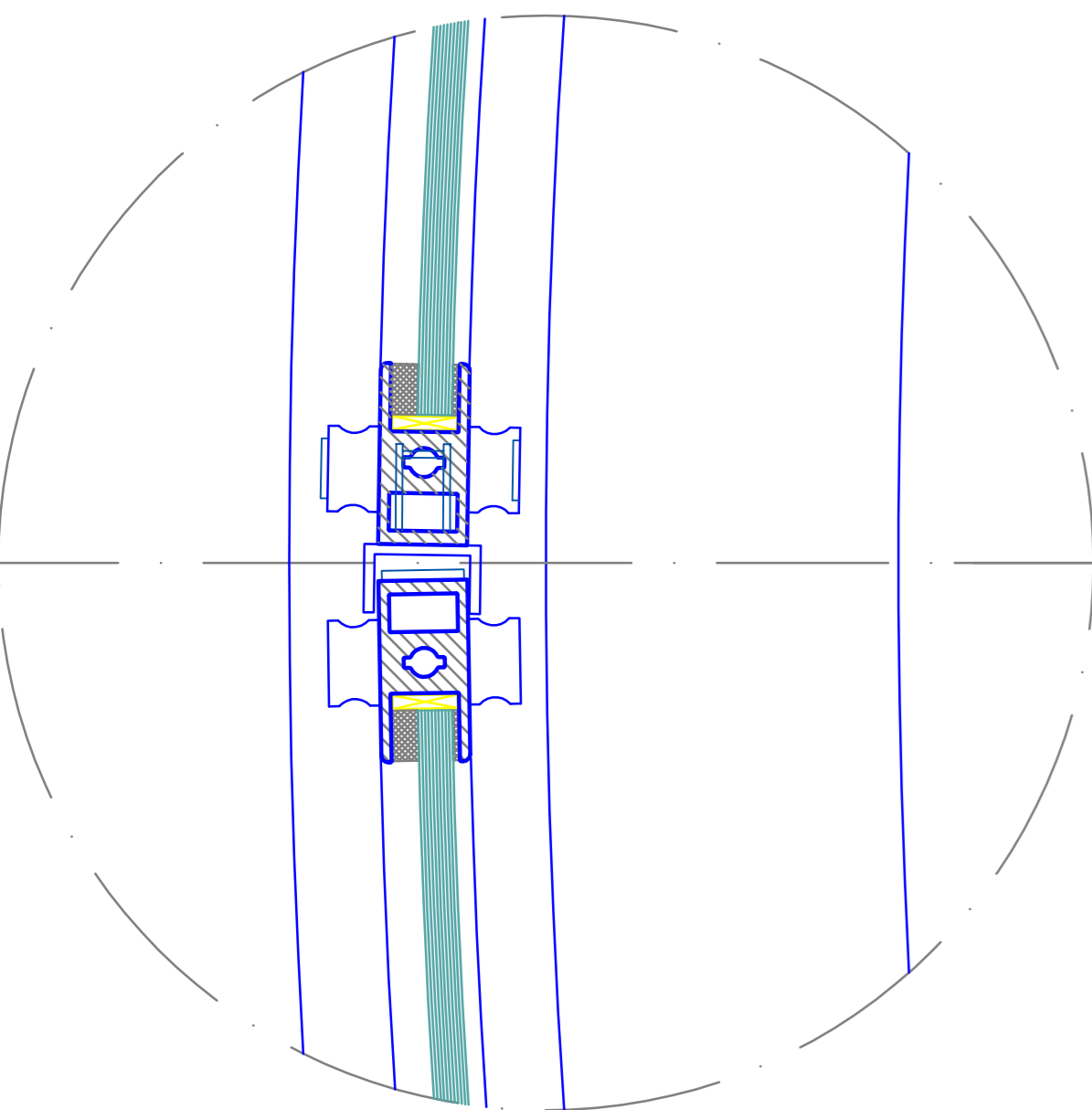
detail O



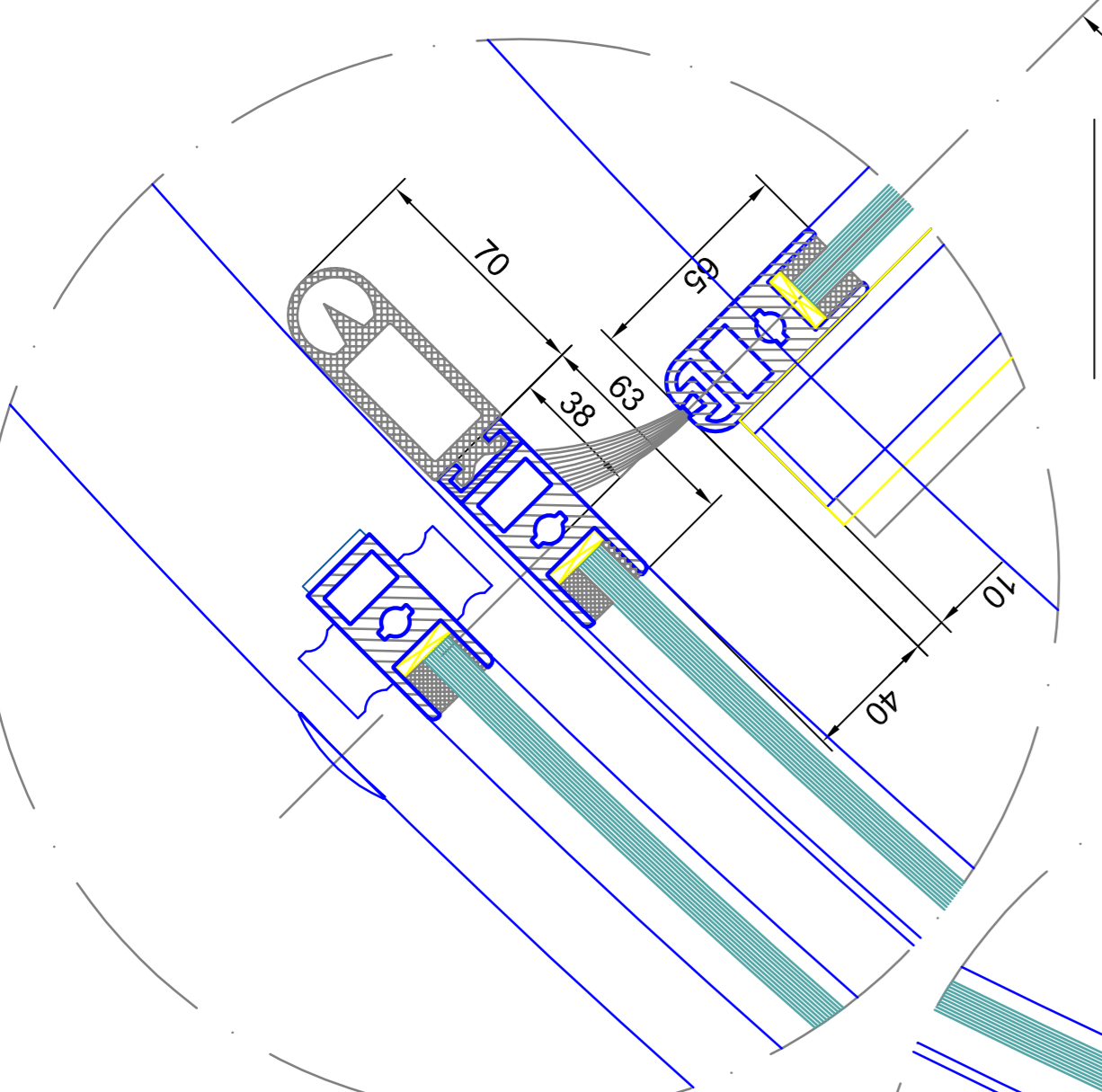
detail A



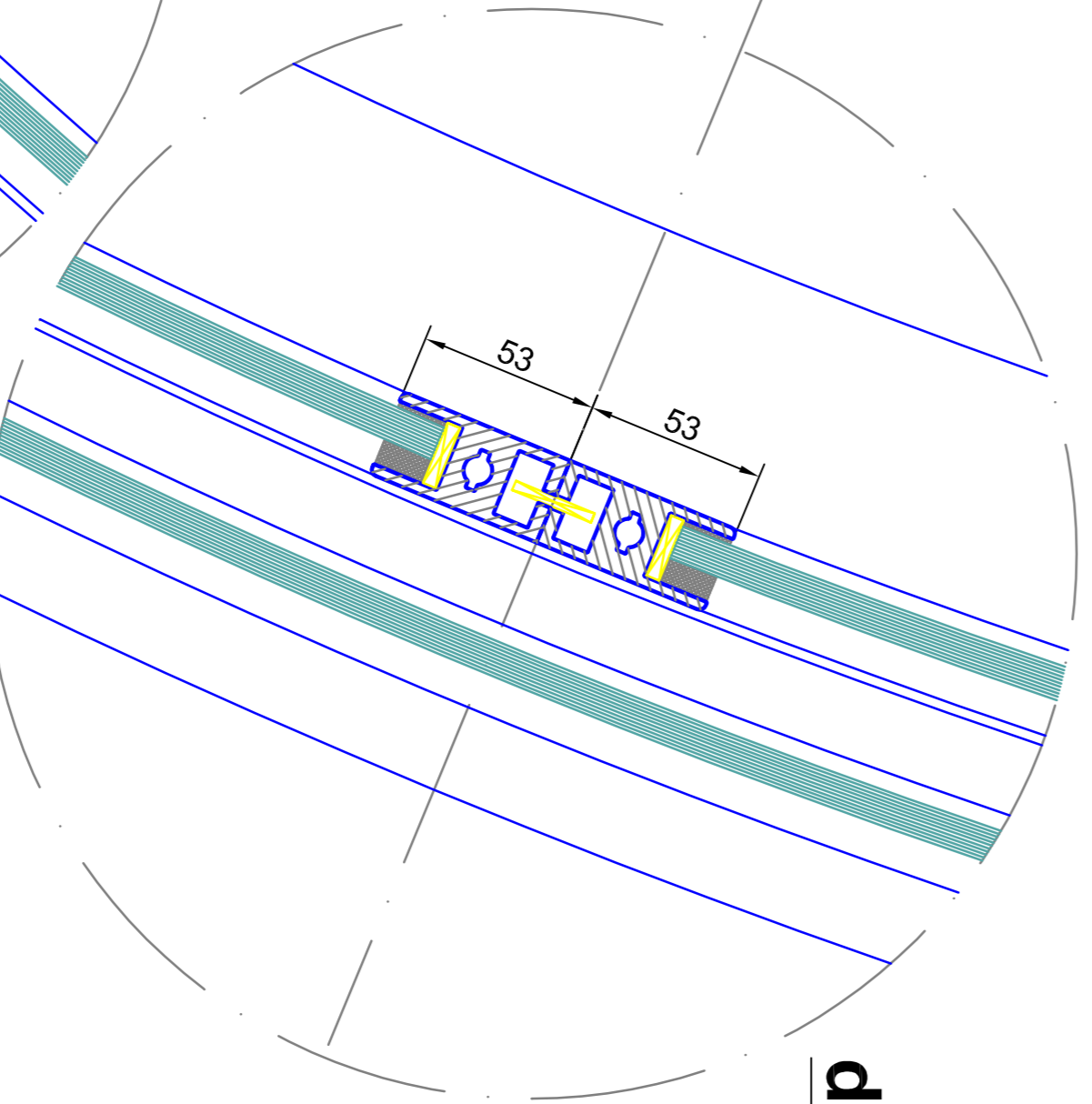
detail K



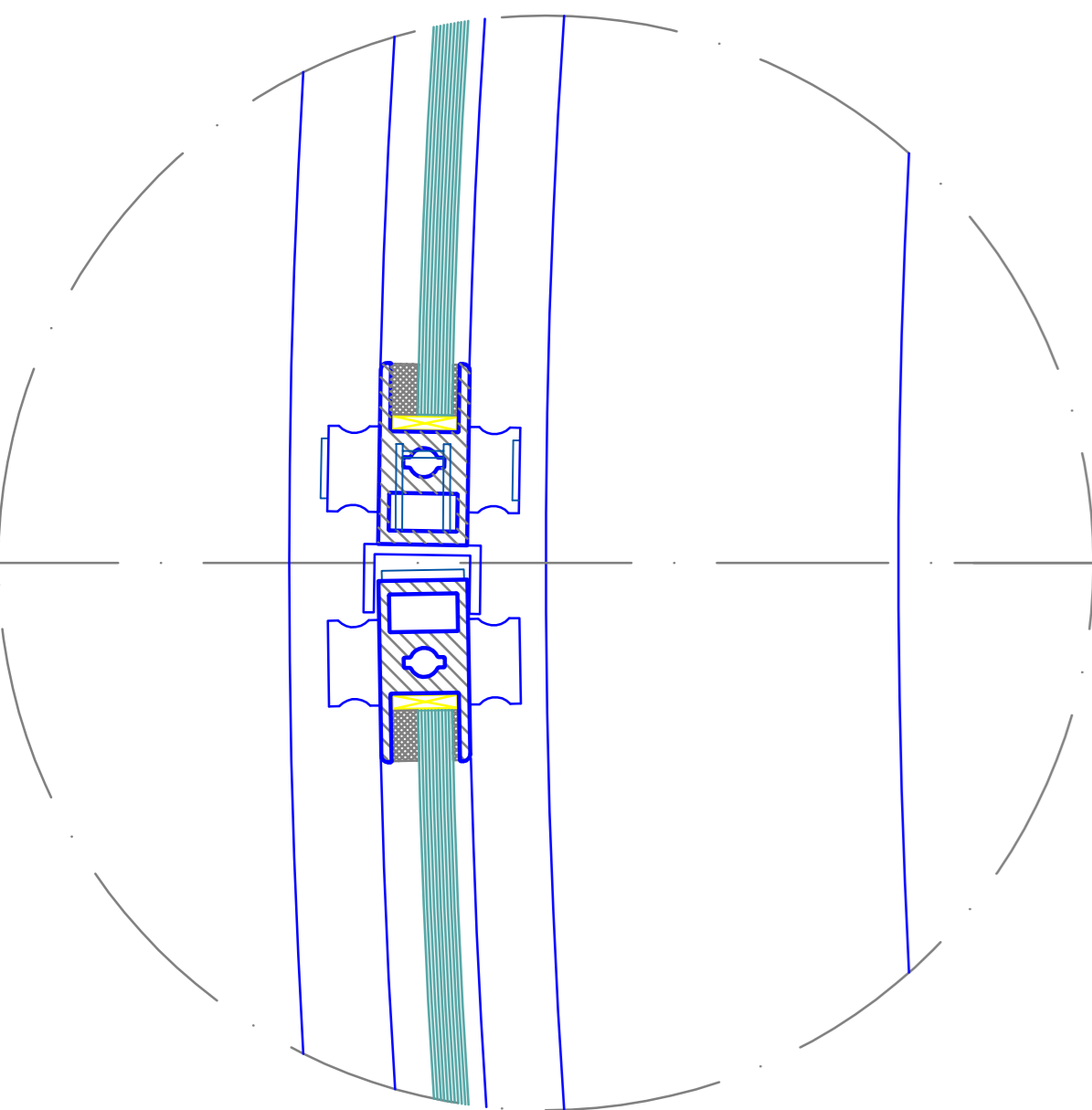
detail J



detail I



outside



<b>BLASI</b> Automatic Doors Def. Sec. Steel S-15 D = 1737 S. Milano		Tel. +39022 / 883.291 Fax. +39022 / 883.299 Email: info@blasi.com WWW: Blasi.com	
Model: <b>AdAnti2</b> Code: <b>K41-VV/MMA-48 Break Out</b> Project: <b>SAMPLE DRAWING ONLY</b>		Scale: 1:1 (Ratio 1:1) Drawing: 301.416 Date: 10/2011 Project: <b>AdAnti2</b> Code: <b>K41-VV/MMA-48 Break Out</b> Project: <b>SAMPLE DRAWING ONLY</b>	
Material: <b>Tempered safety glass 10 mm</b> Color: <b>301.416</b> Finish: <b>301.416</b>		Material: <b>14.800mm diameter components</b> Color: <b>14.800mm diameter components</b> Finish: <b>14.800mm diameter components</b>	
Notes: <b>14.800mm diameter components</b> <b>14.800mm diameter components</b> <b>14.800mm diameter components</b>		Notes: <b>14.800mm diameter components</b> <b>14.800mm diameter components</b> <b>14.800mm diameter components</b>	