

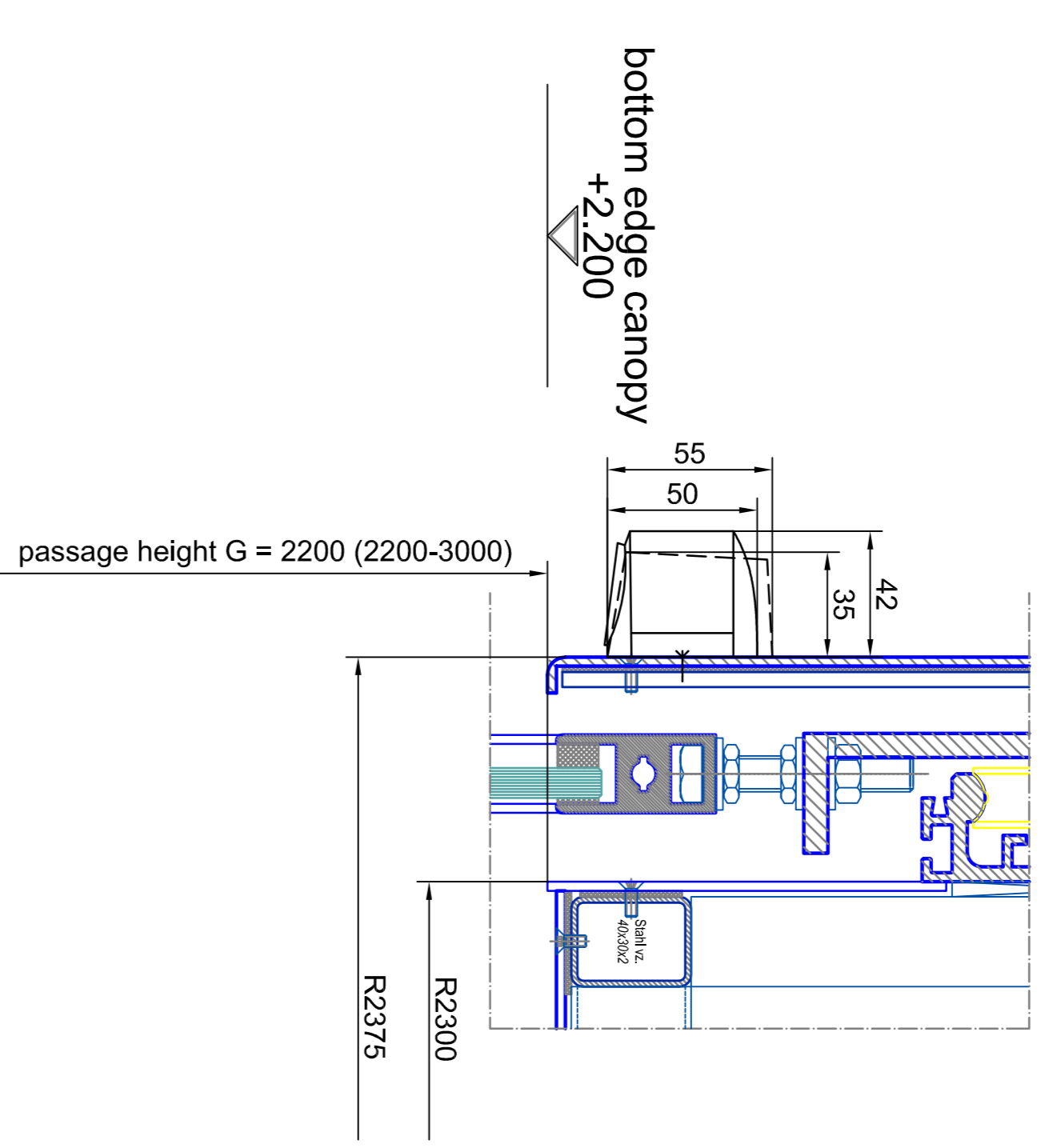
outside

vertical section

inside

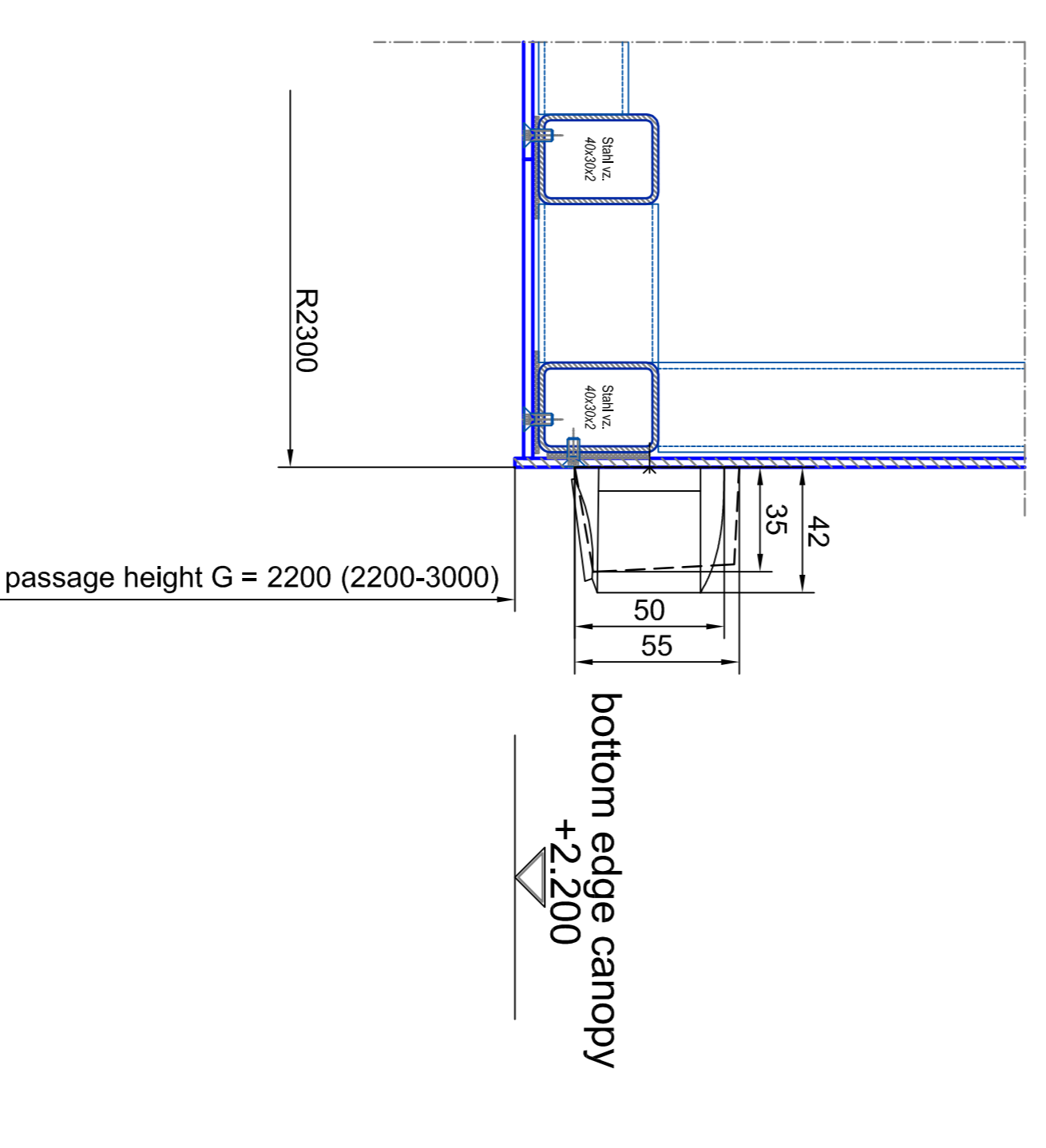
**vertical section -
passage area outside**

A0 - M 1:2



**vertical section -
passage area inside**

A0 - M 1:2



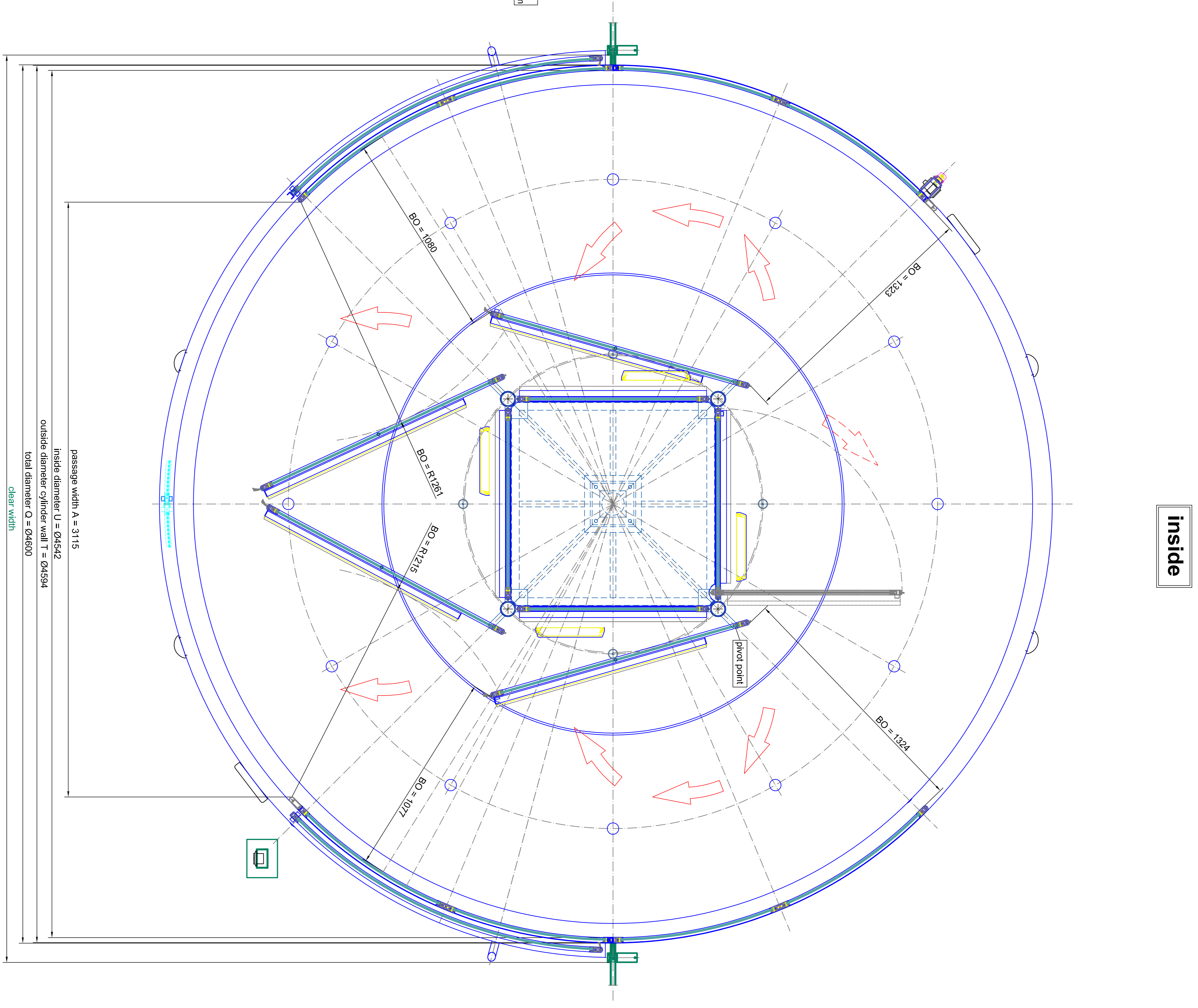
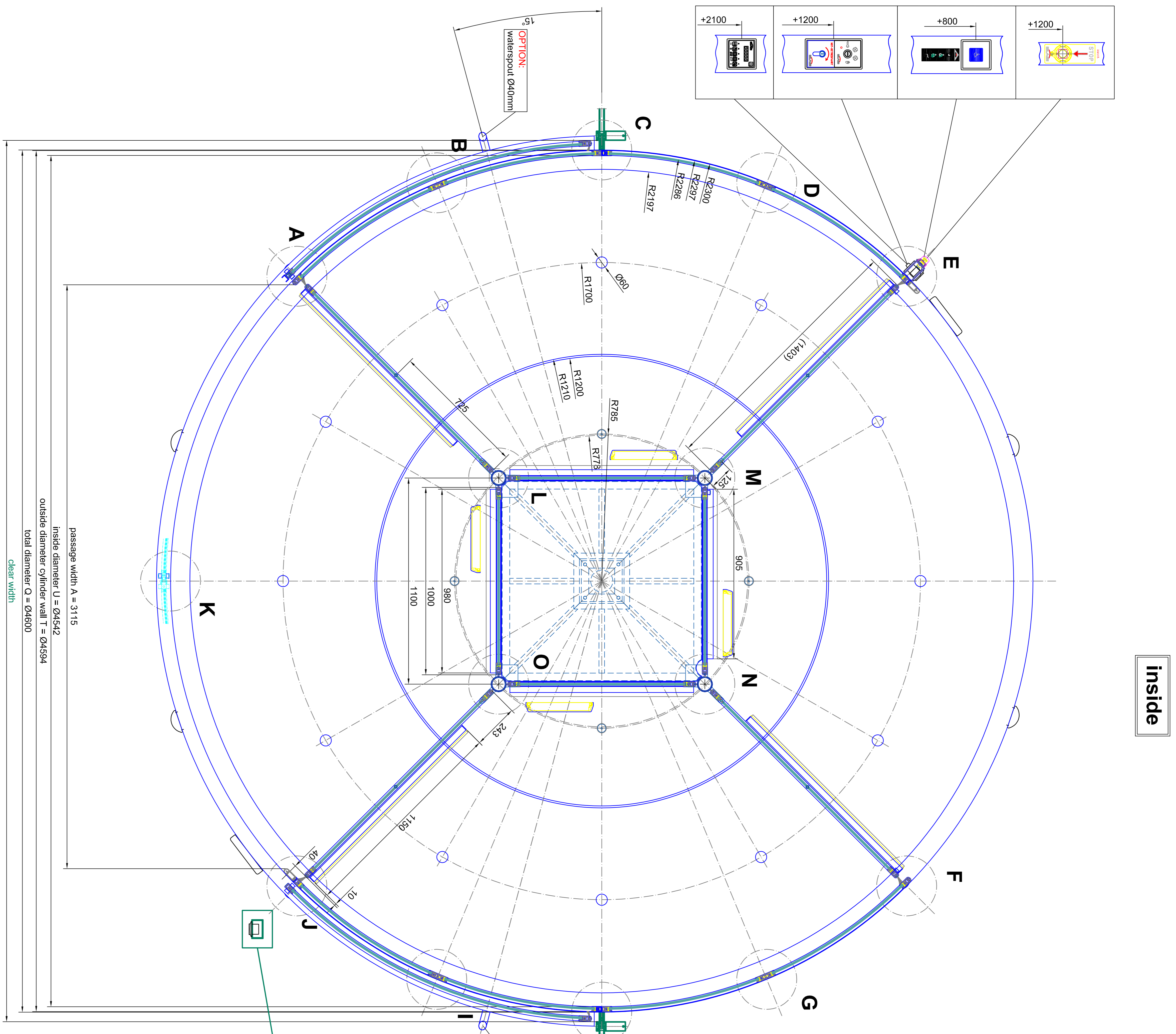
Material	Al (anodized)	Material	Al (anodized)
Surface	304 4x	Material	Al (anodized)
Door	Tempered safety glass 10 mm	Material	Al (anodized)
Glazing	Laminated safety glass 10 mm	Material	Al (anodized)

BLASI
 B L A S I G m b H
 Automatic Doors
 Ost-Str. 5-15
 D - 7173 2 Mühlweg

Tel. +49(0)7142 / 883 - 281
 Fax. +49(0)7142 / 883 - 289
 E-mail: info@blasig.de
 WWW: blasig.de

K41-VI/MMA-46 Break Out
SAMPLE DRAWING ONLY

Scale: A0-M 1:2
 Date: 2024-01-10
 Project: K41-VI/MMA-46 Break Out
 Drawing No.: 01
 Page: 01
 Total: 04



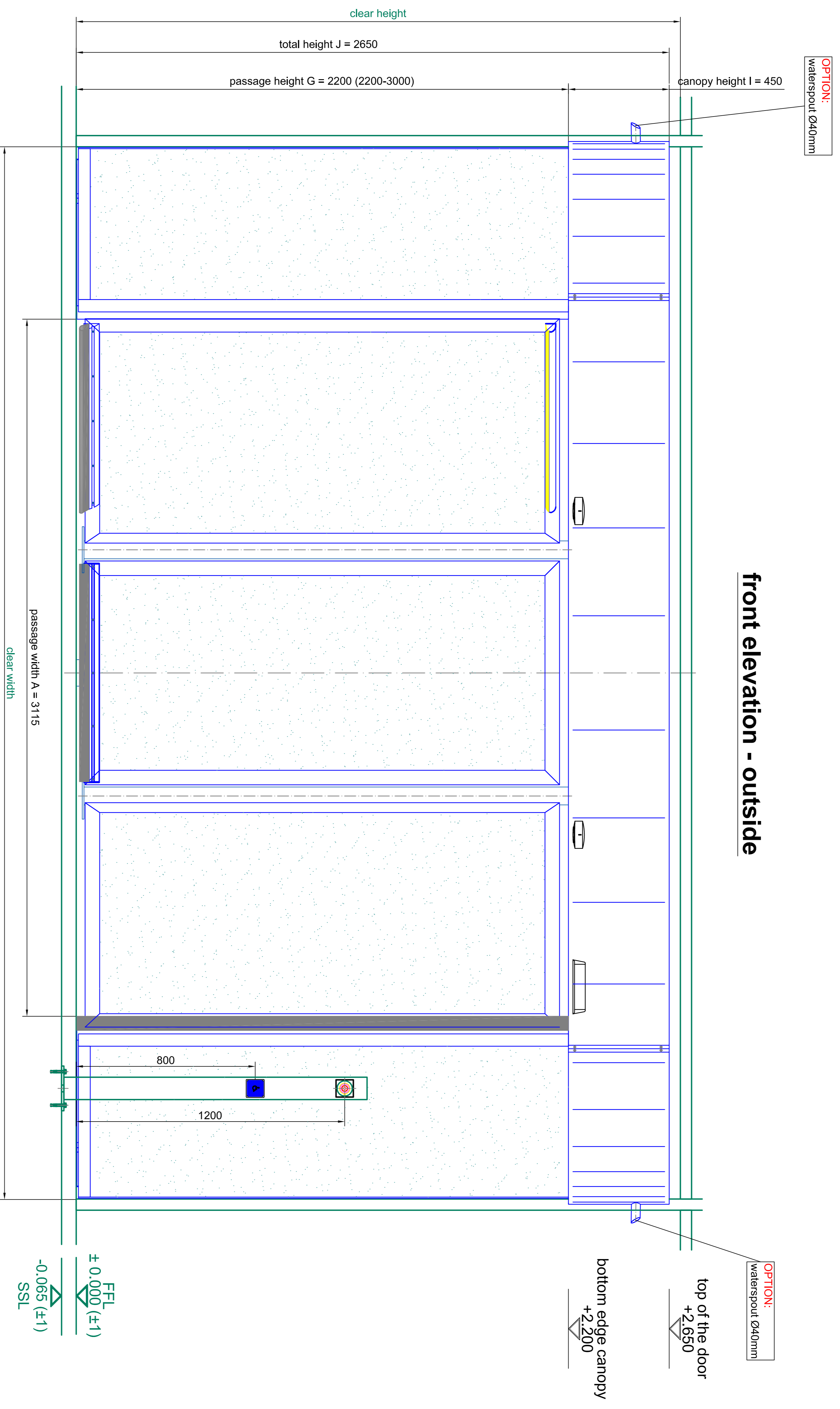
horizontal section - door in standard position

horizontal section - door in break out position

<p>BLASI BLASI G m.b.H. Automatic Doors Oderberg Street 5-15 D-71737 Mühlberg</p> <p>Tel. +49(0)221 / 883-239 Fax. +49(0)221 / 883-238 E-mail: info@blasi.de www.blasi.de</p>	<p>Model: Ad-H10</p> <p>Product: K41-VN/INMA-46 Break Out</p> <p>Configuration: SAMPLE DRAWING ONLY</p>	<p>Material: Al (anodized)</p> <p>Finish: 304 A4</p> <p>Standard: (DIN 18251)</p> <p>Weight: tempered safety glass 10 mm</p> <p>Options: laminated safety glass 10 mm</p>	<p>Material: Al (anodized components)</p> <p>Finish: matte or enameled by customer</p> <p>Weight: laminated safety glass 10 mm</p>
--	--	--	---

Scale: 1:100

Page: 02 of 04



front elevation - outside

Supplier	BLASI SYSTEM	Material	ALUMINUM COMPONENTS
Height	2014 mm	Color	RAL 9005 (black)
Glass	tempered safety glass 10 mm	Accessories	laminated safety glass 10 mm

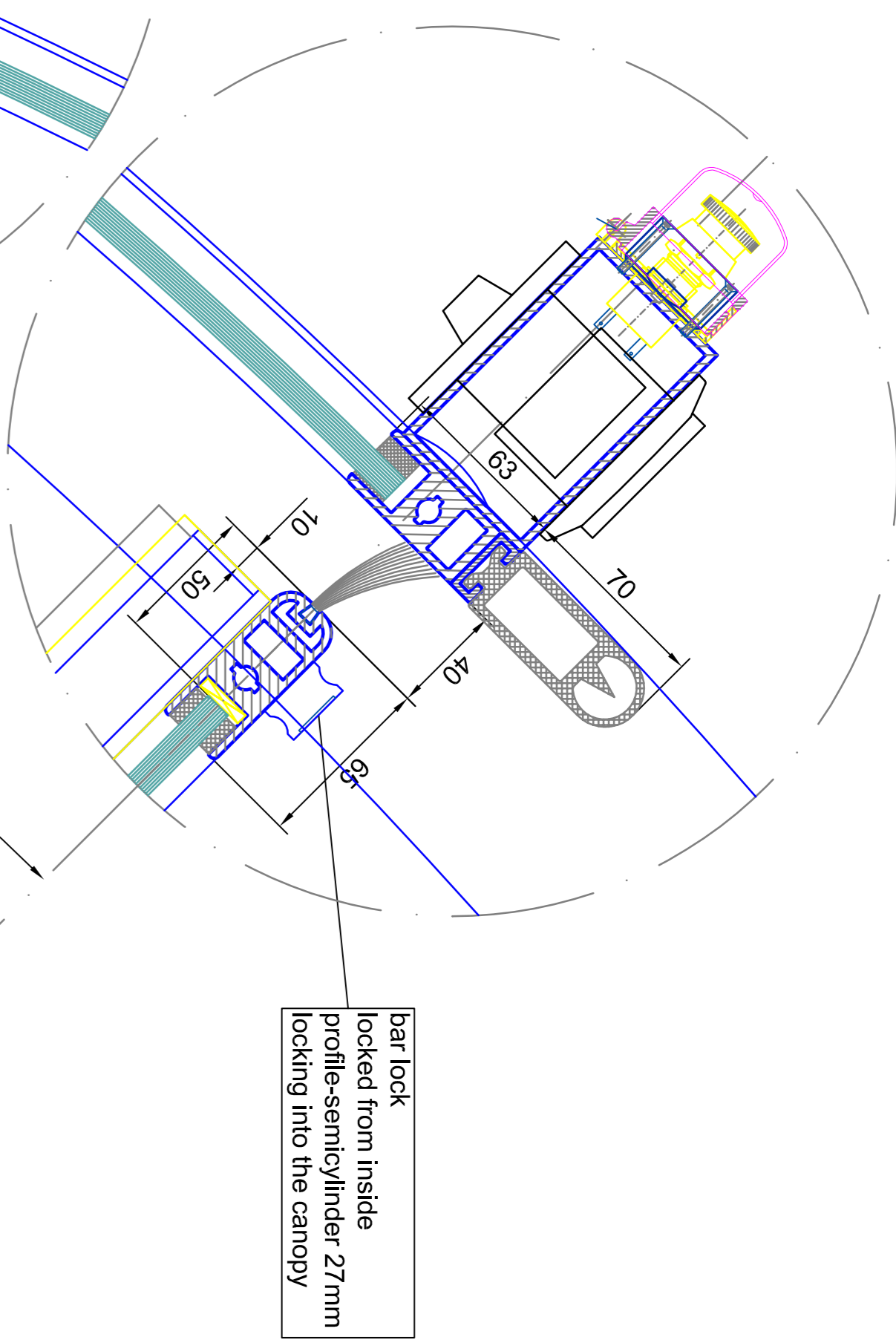
BLASI
 B L A S I G m b H
 Automatic Doors
 Ost-See-Straße 5-15
 D-17137 Ralswiek

Tel. +49(0)227 / 883 - 291
 Fax. +49(0)227 / 883 - 299
 E-mail: info@blasi.de
 WWW: blasi.de

Project: K41-VINNMA-46 Break Out
 Drawing: SAMPLE DRAWING ONLY

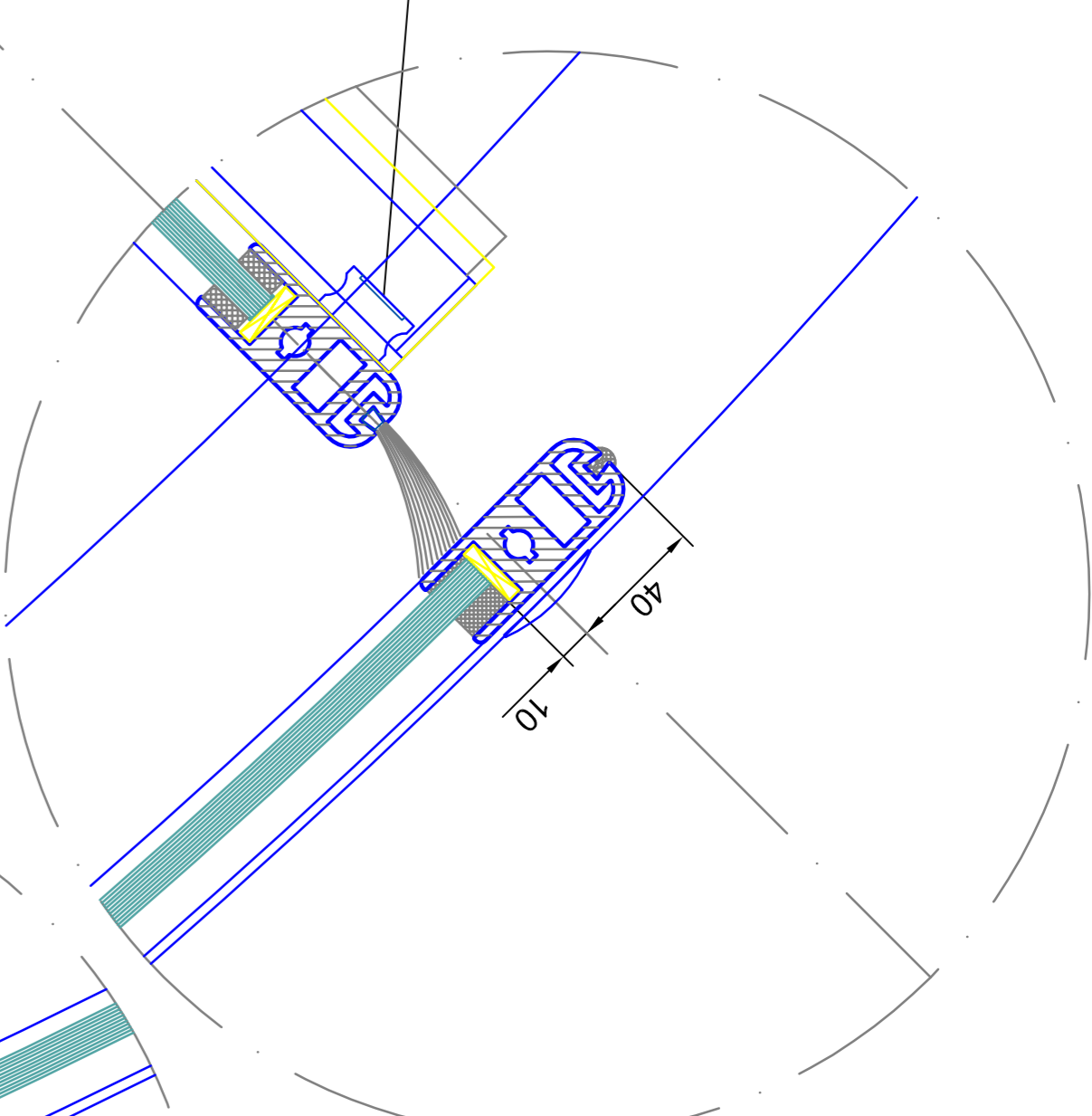
Scale: 1:10
 Date: 2024-10-27
 Page: 03 of 04

detail E

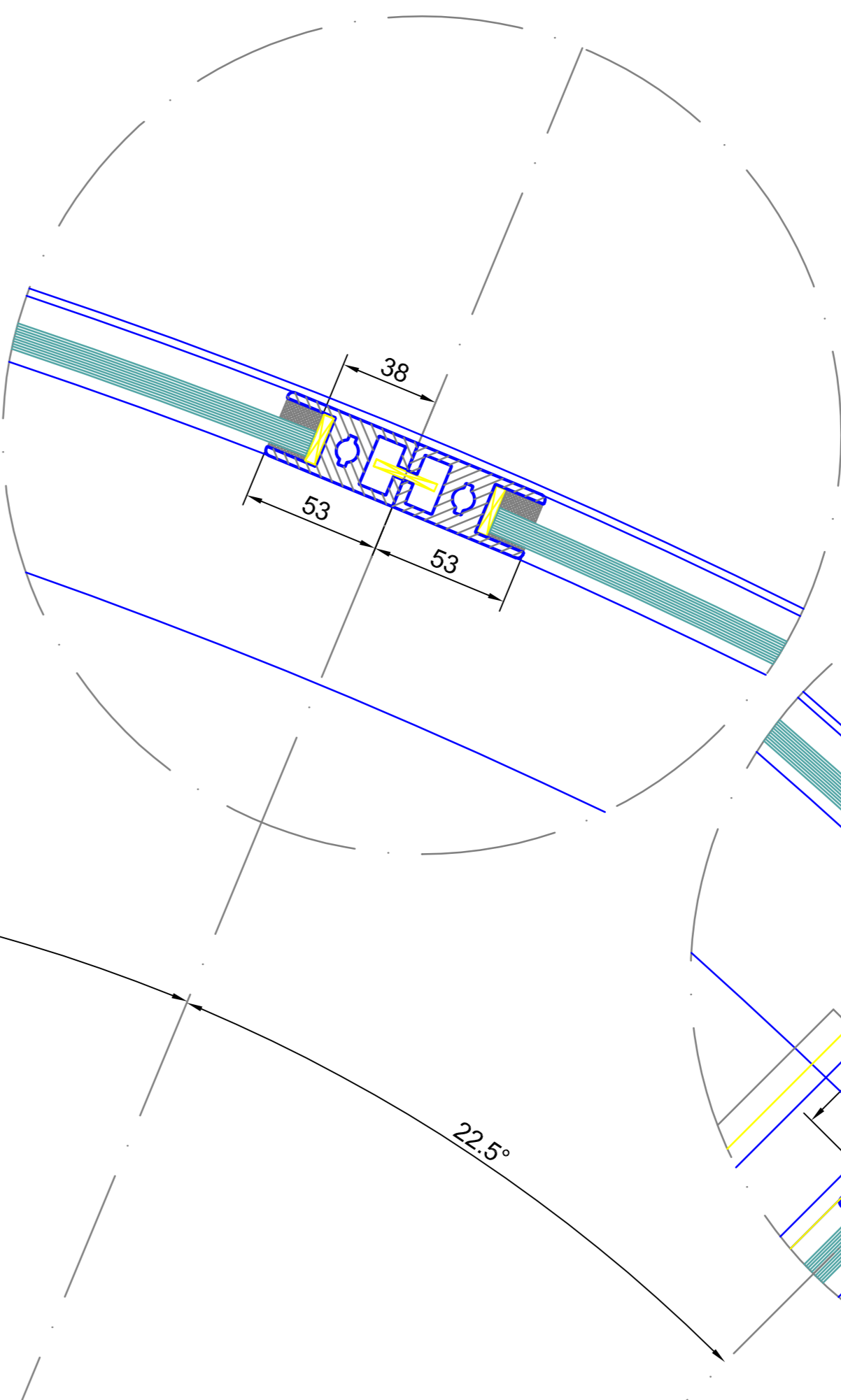


inside

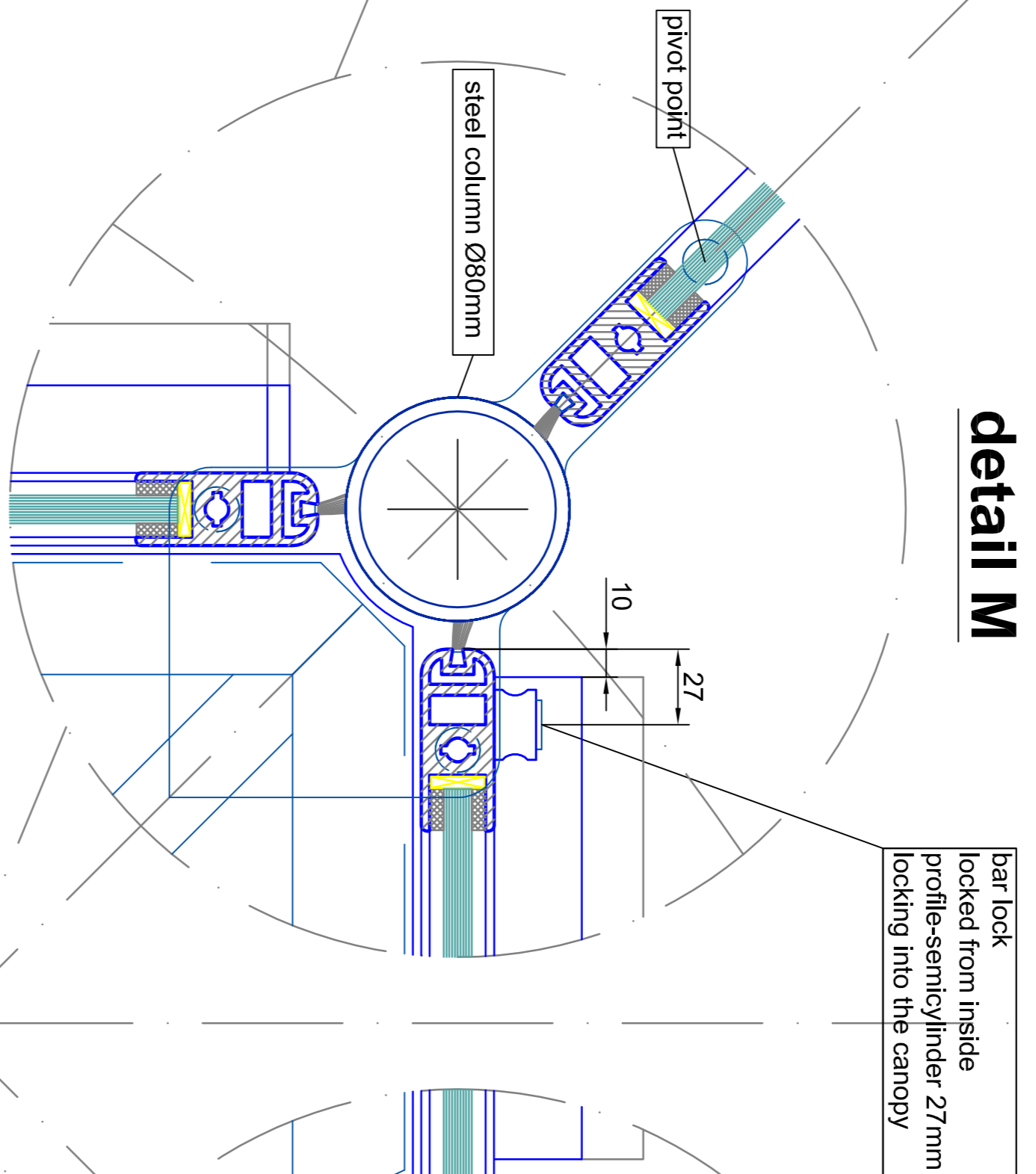
detail F



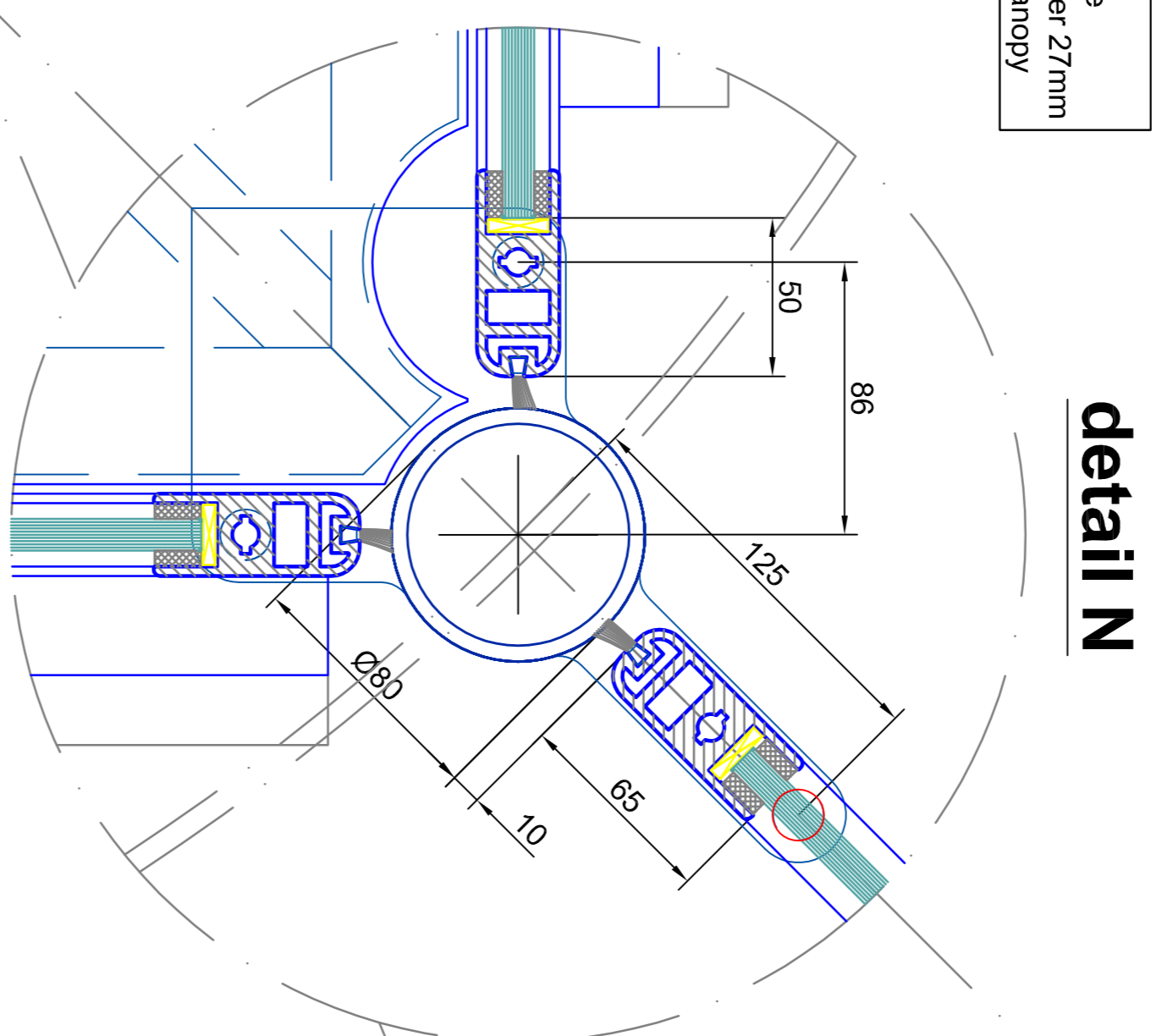
detail D



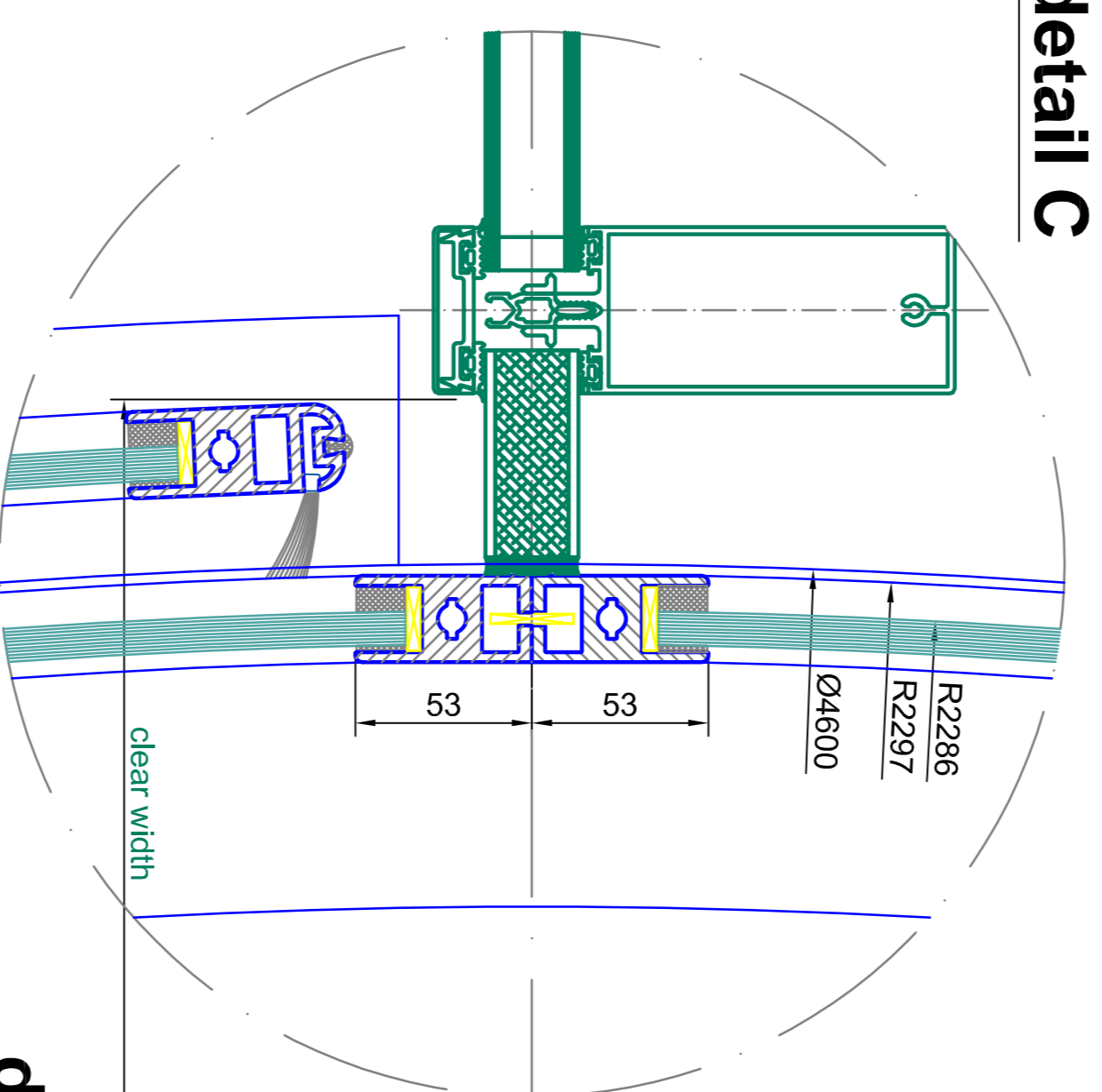
detail M



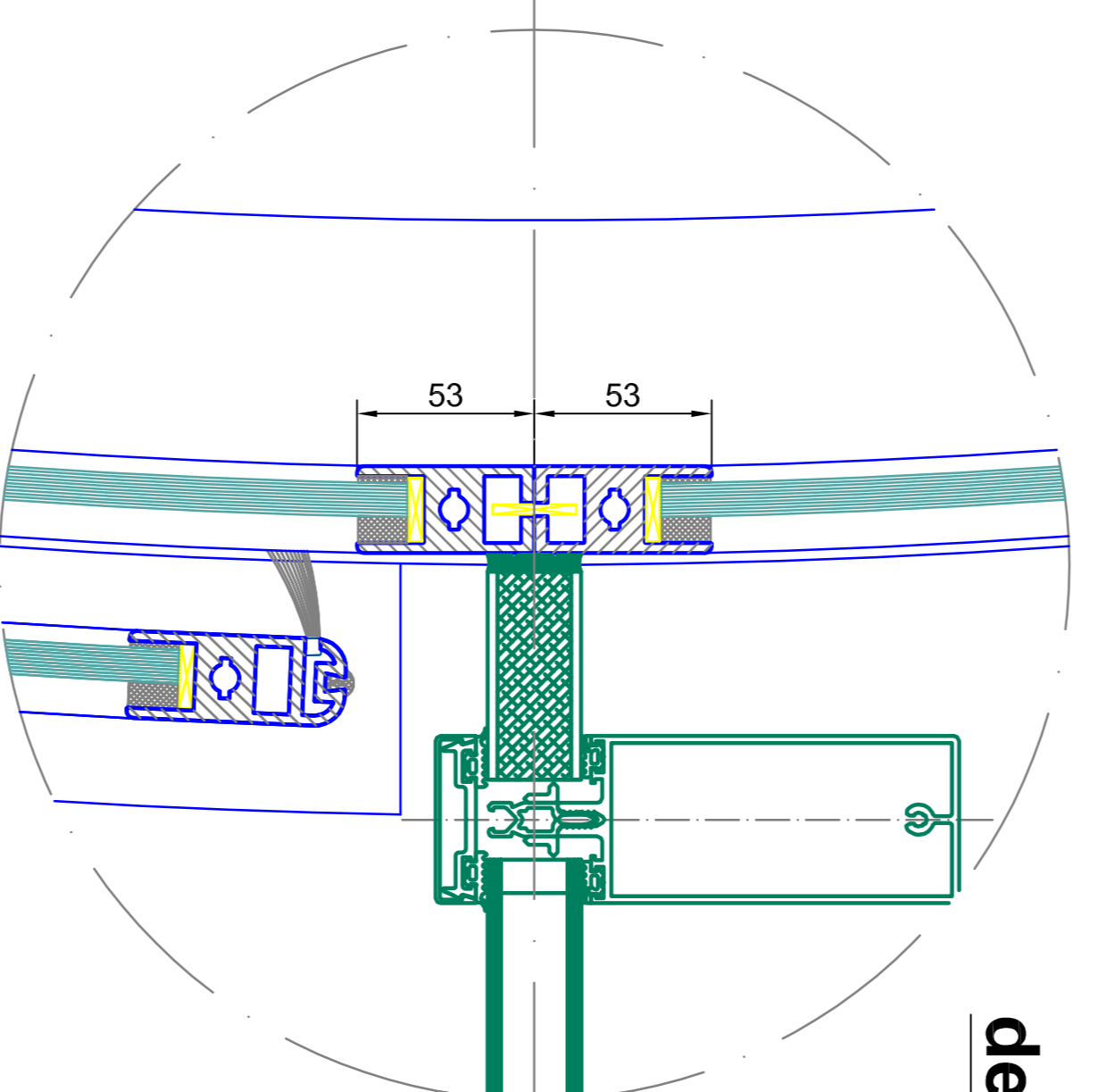
detail N



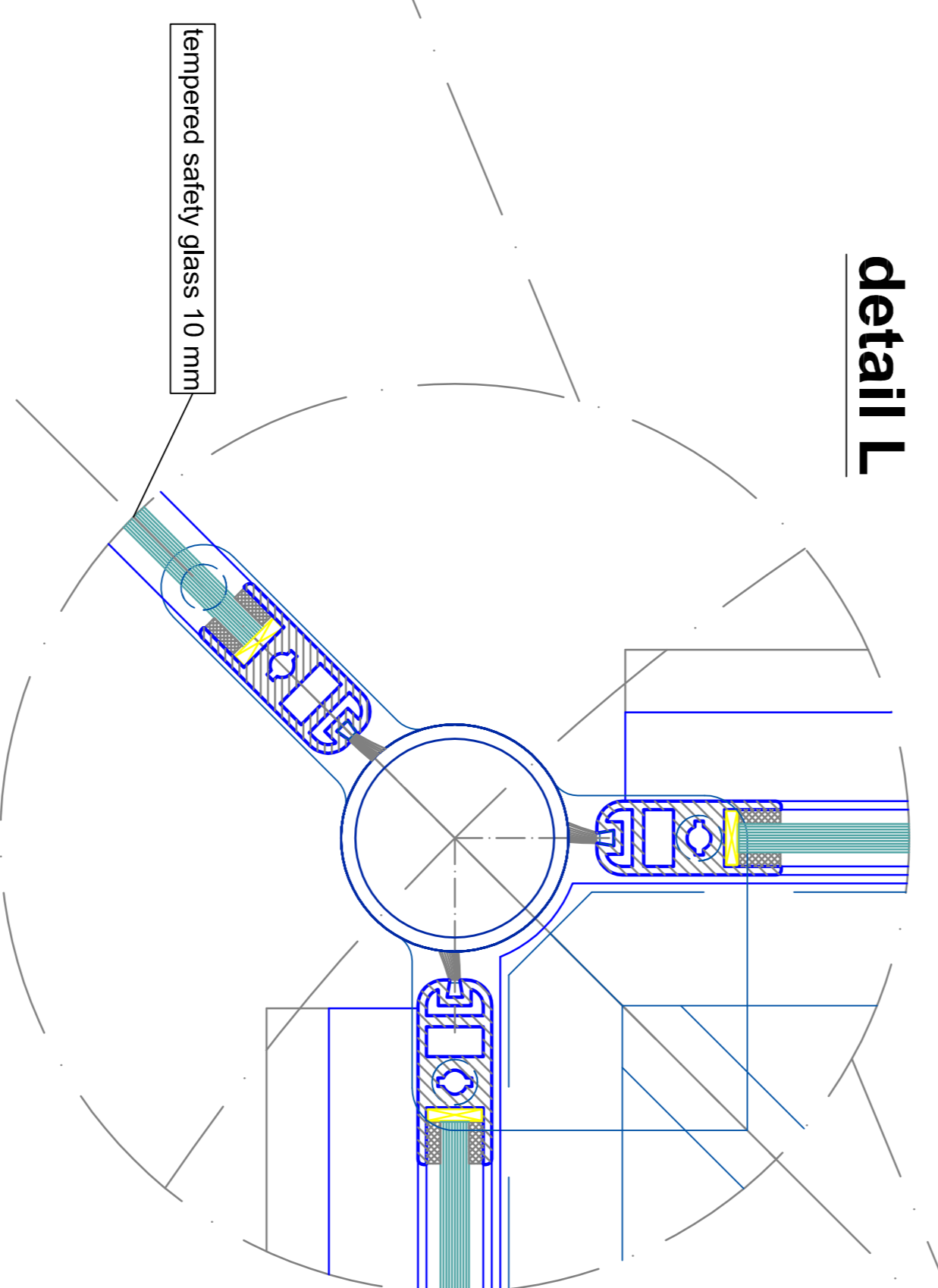
detail C



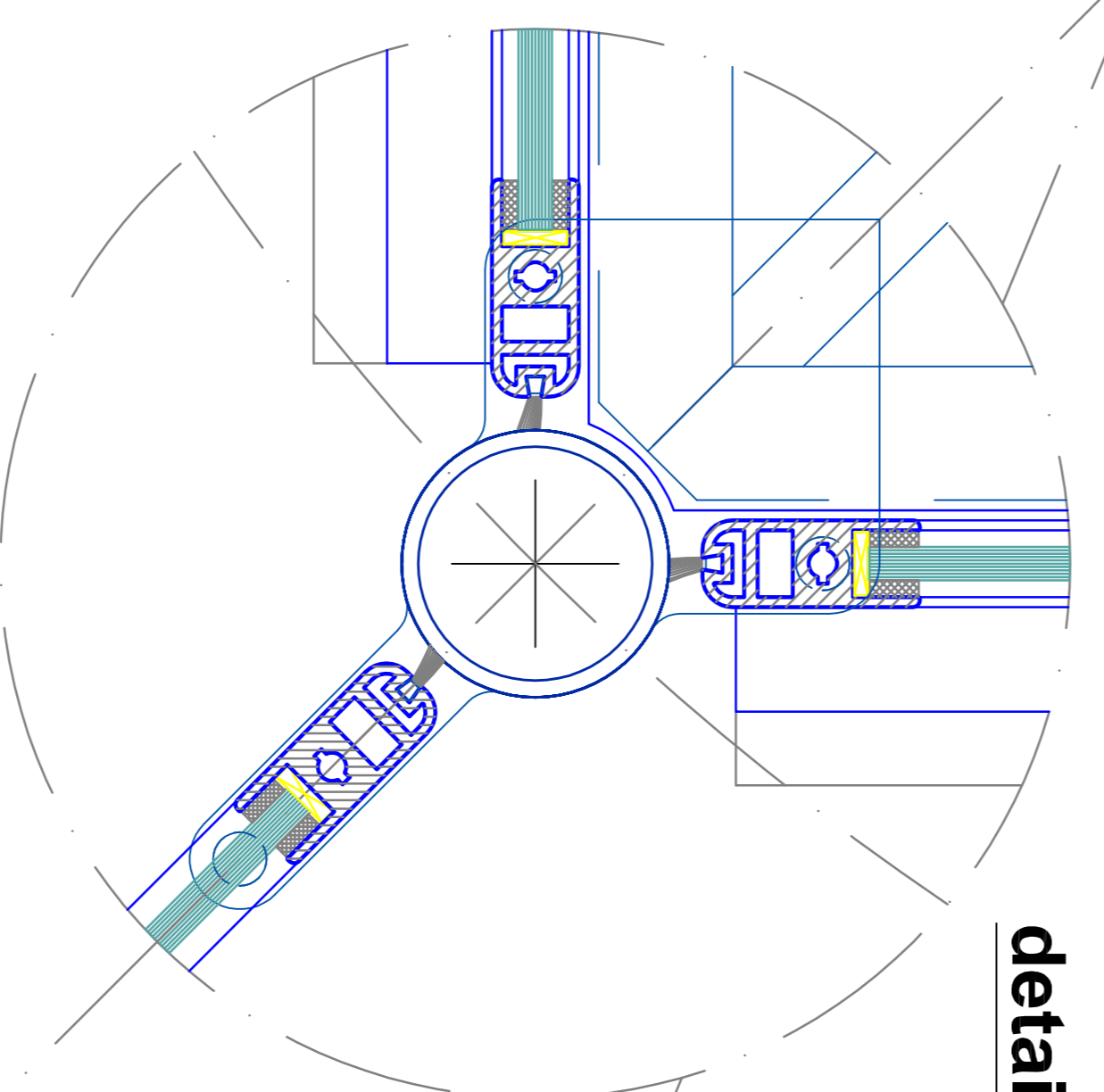
detail H



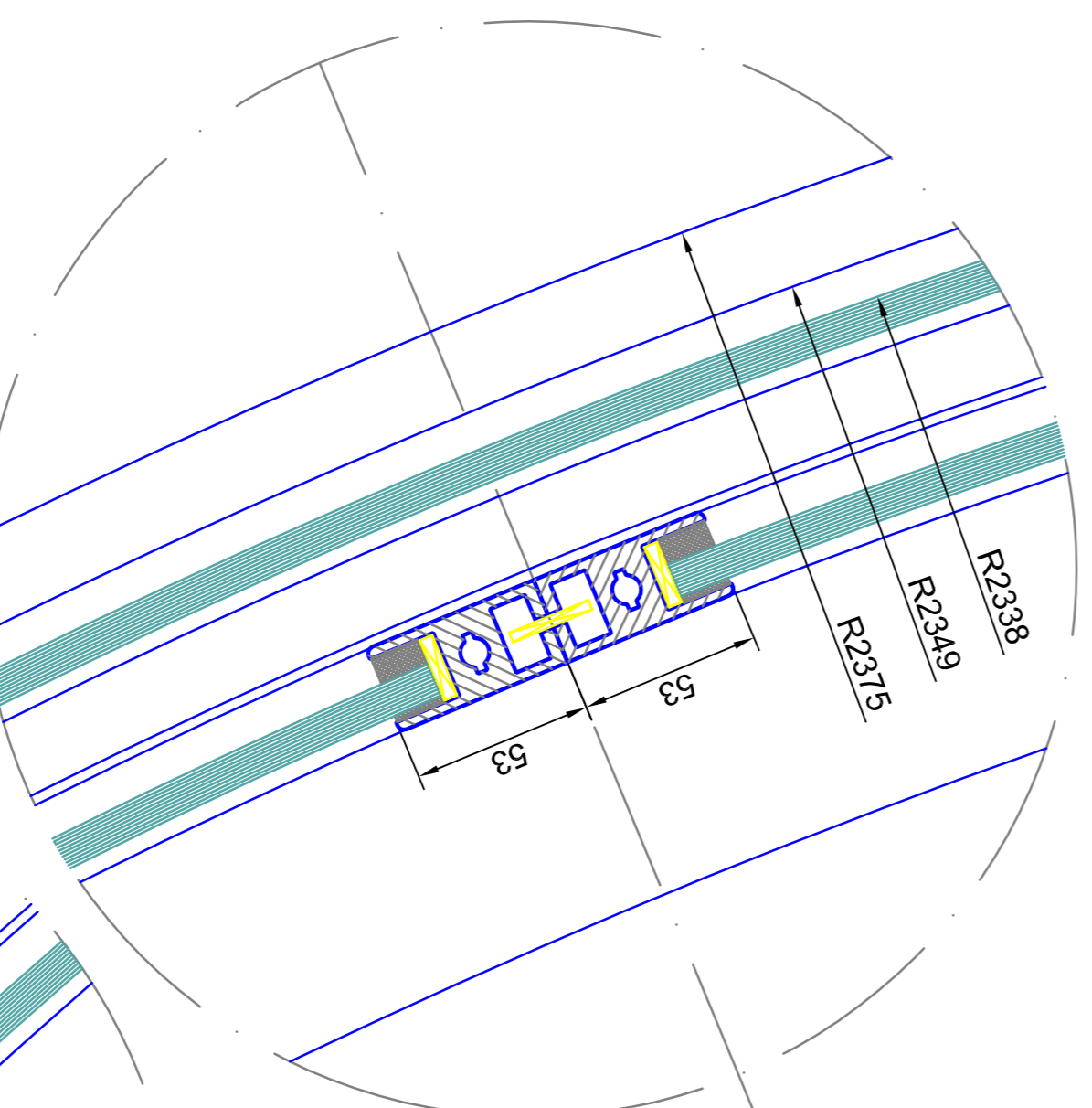
detail L



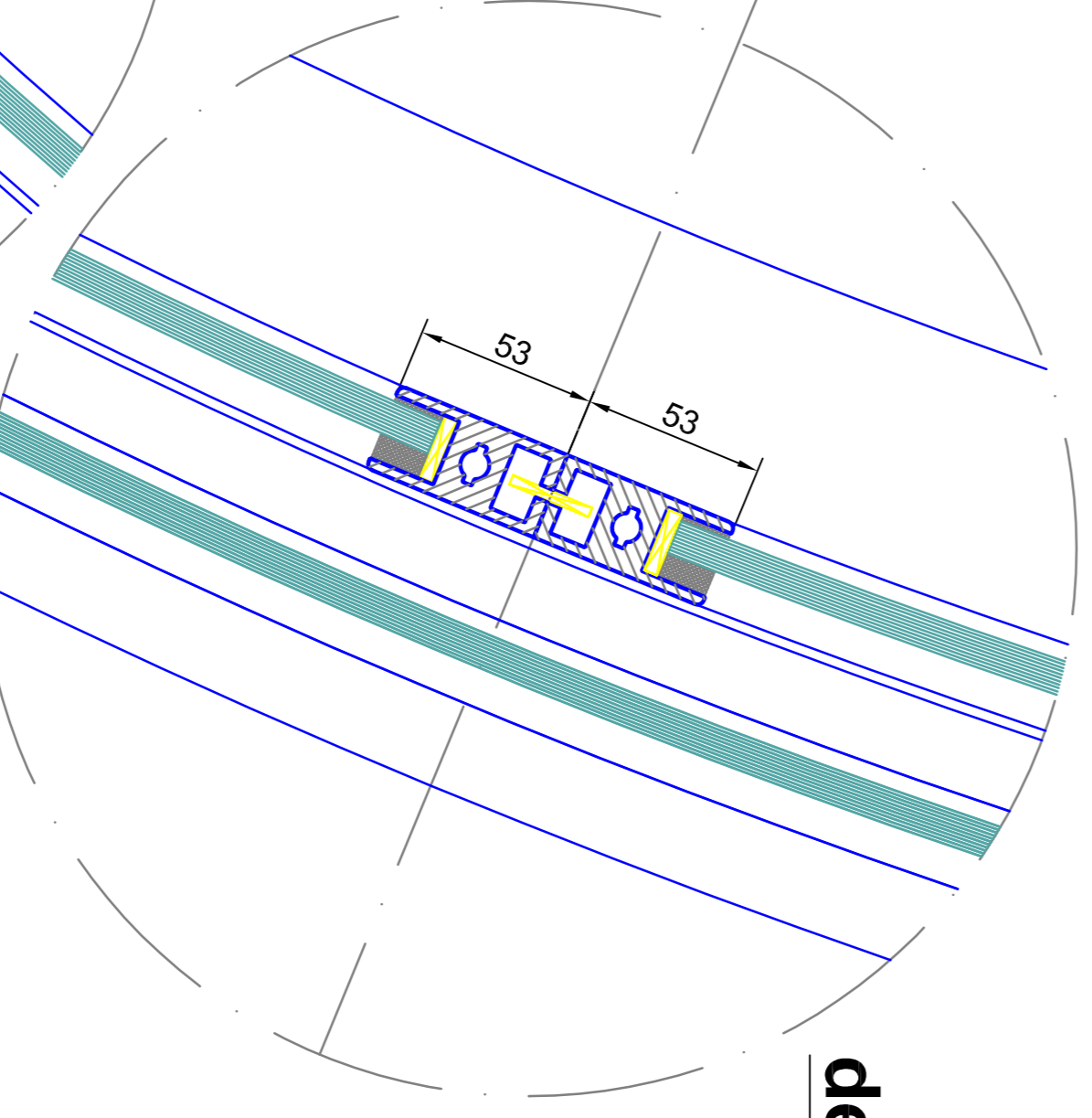
detail O



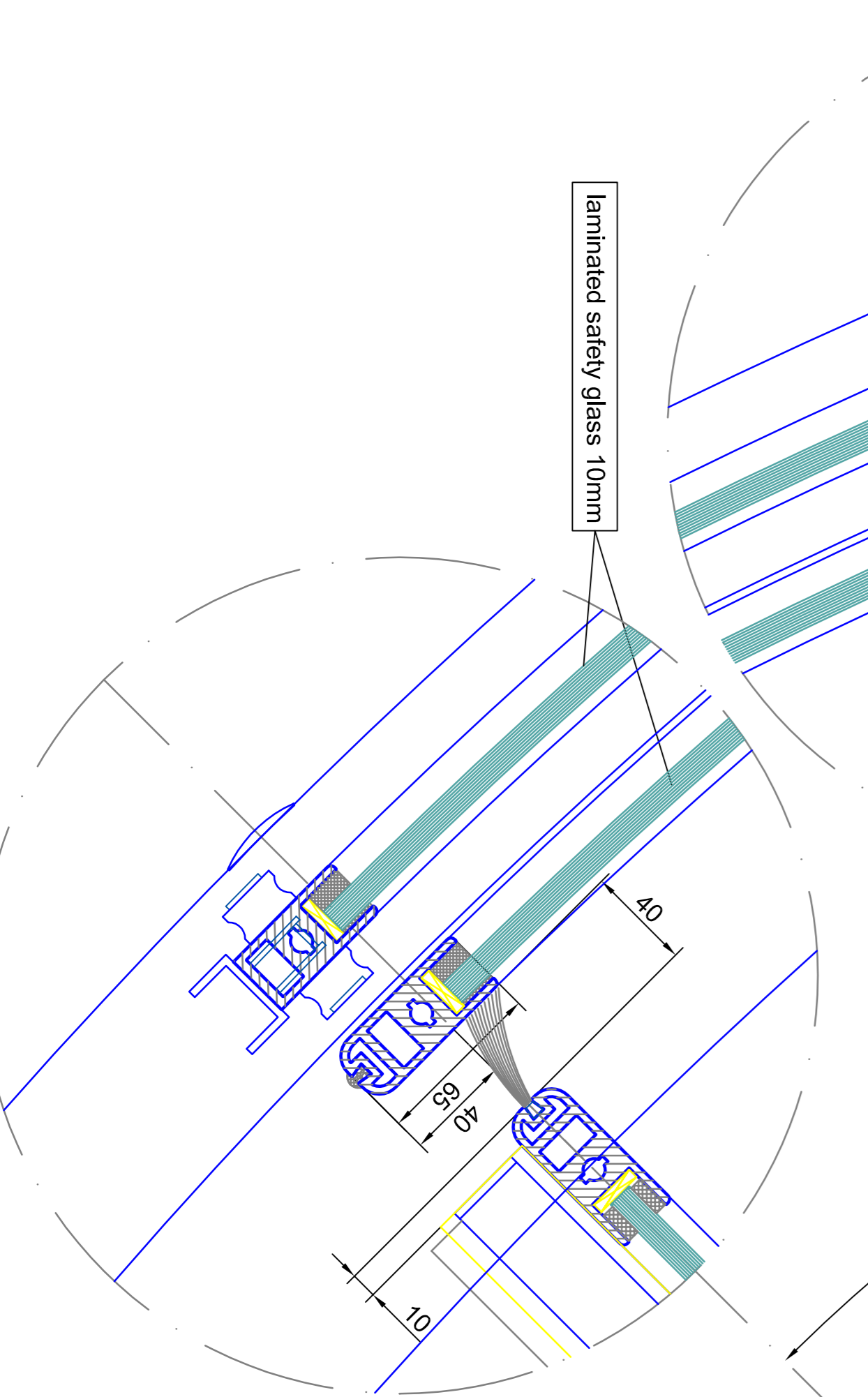
detail B



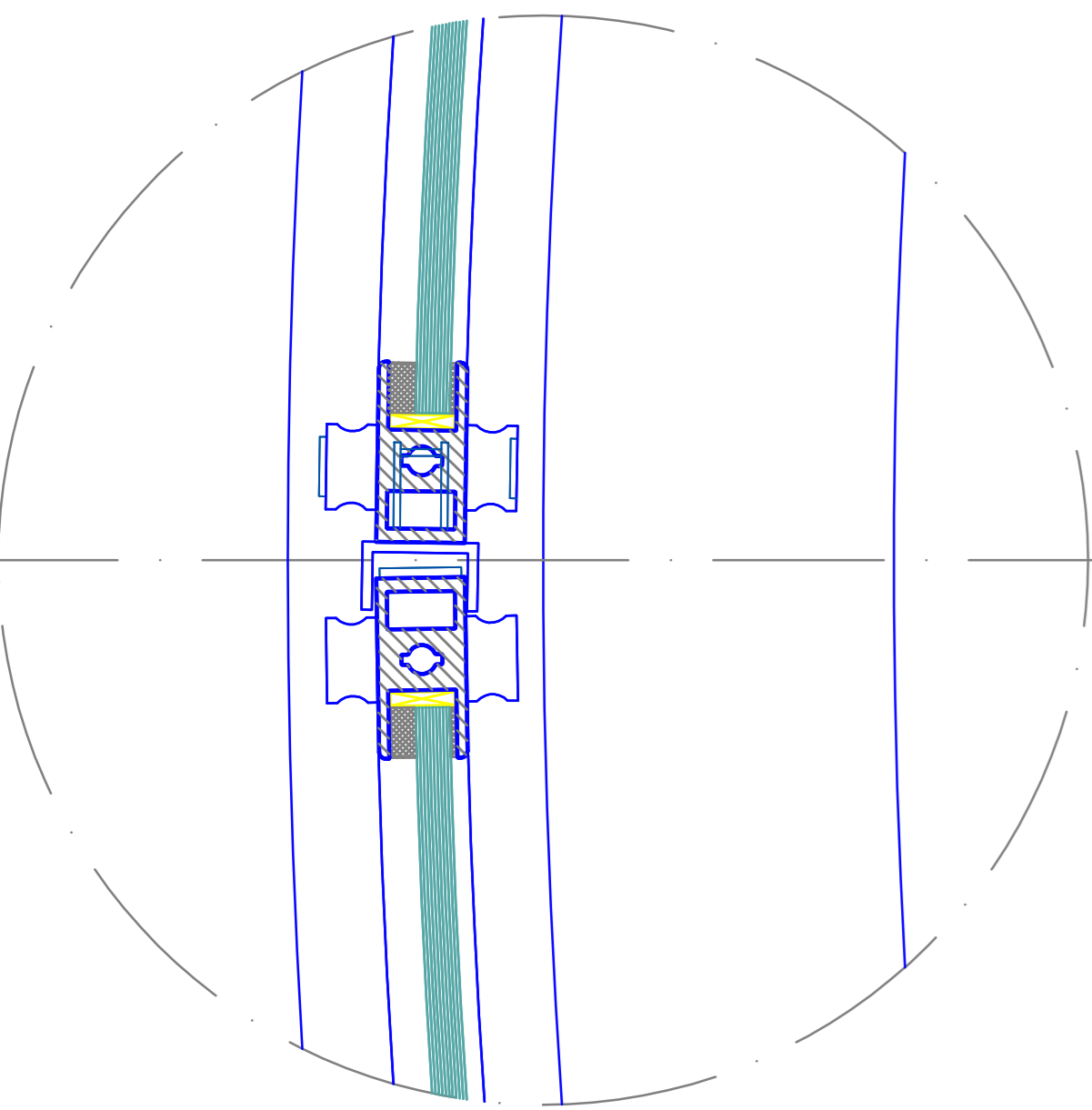
detail I



detail A

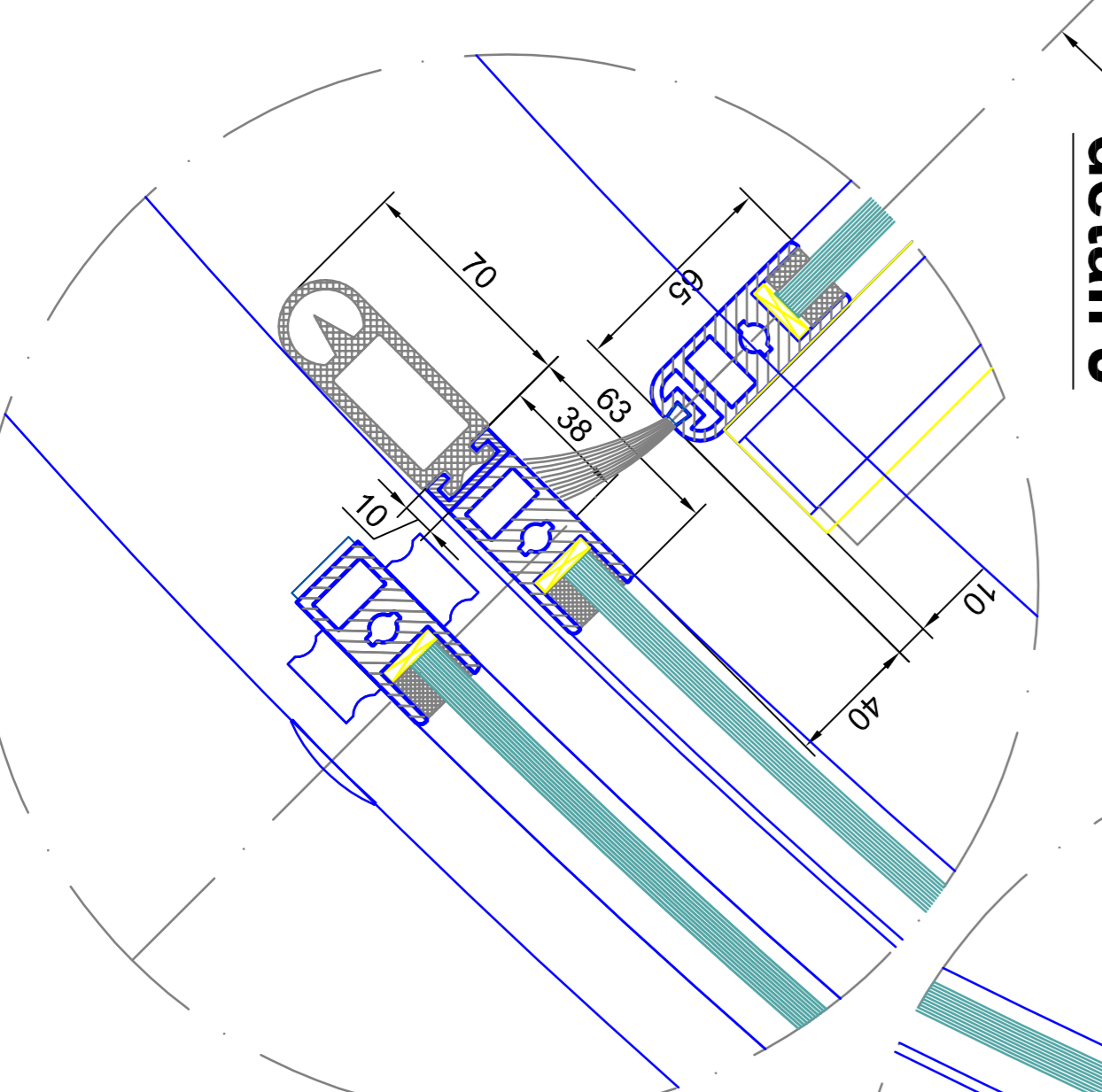


detail K

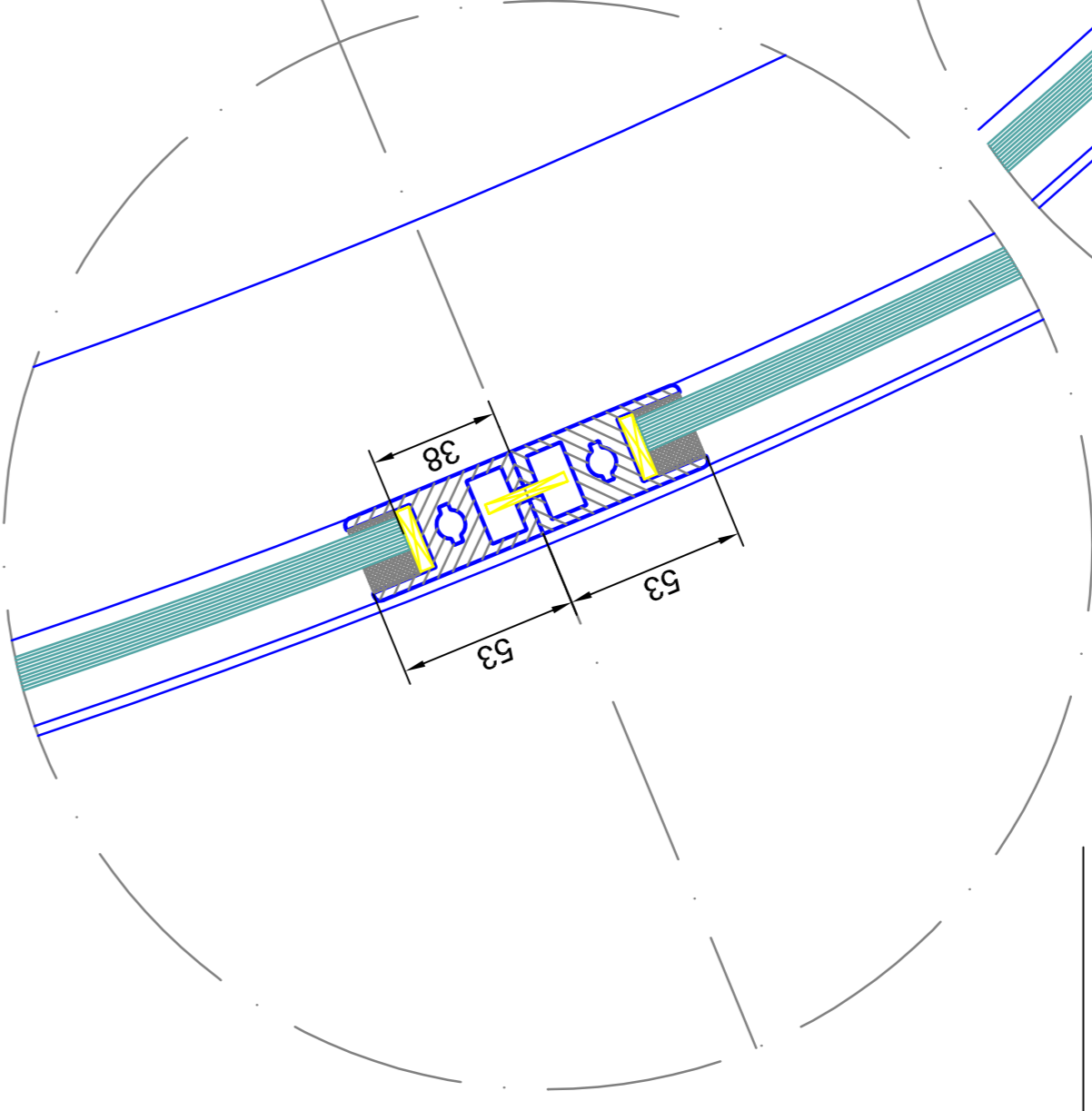


outside

detail J



detail G



BLASI Automatic Doors Def. Sec. Steel S-15 D. 17/17.5 Milling		K41-VI/VINMA-46 Break Out SAMPLE DRAWING ONLY	
Standard: EN 16004 Material: 304 A4 Thickness: 10 mm Glass: Laminated safety glass 10 mm	Standard: (EN 16004) Material: 304 A4 Thickness: 10 mm Glass: Laminated safety glass 10 mm	Model: A46M12 Code: K41-VI/VINMA-46 Version: 04	Date: 04/2024 Drawn: 04 Checked: 04

Scale: 1:1
 Date: 04/2024
 Drawn: 04
 Checked: 04
 Project: K41-VI/VINMA-46 Break Out
 Model: A46M12
 Code: K41-VI/VINMA-46
 Version: 04