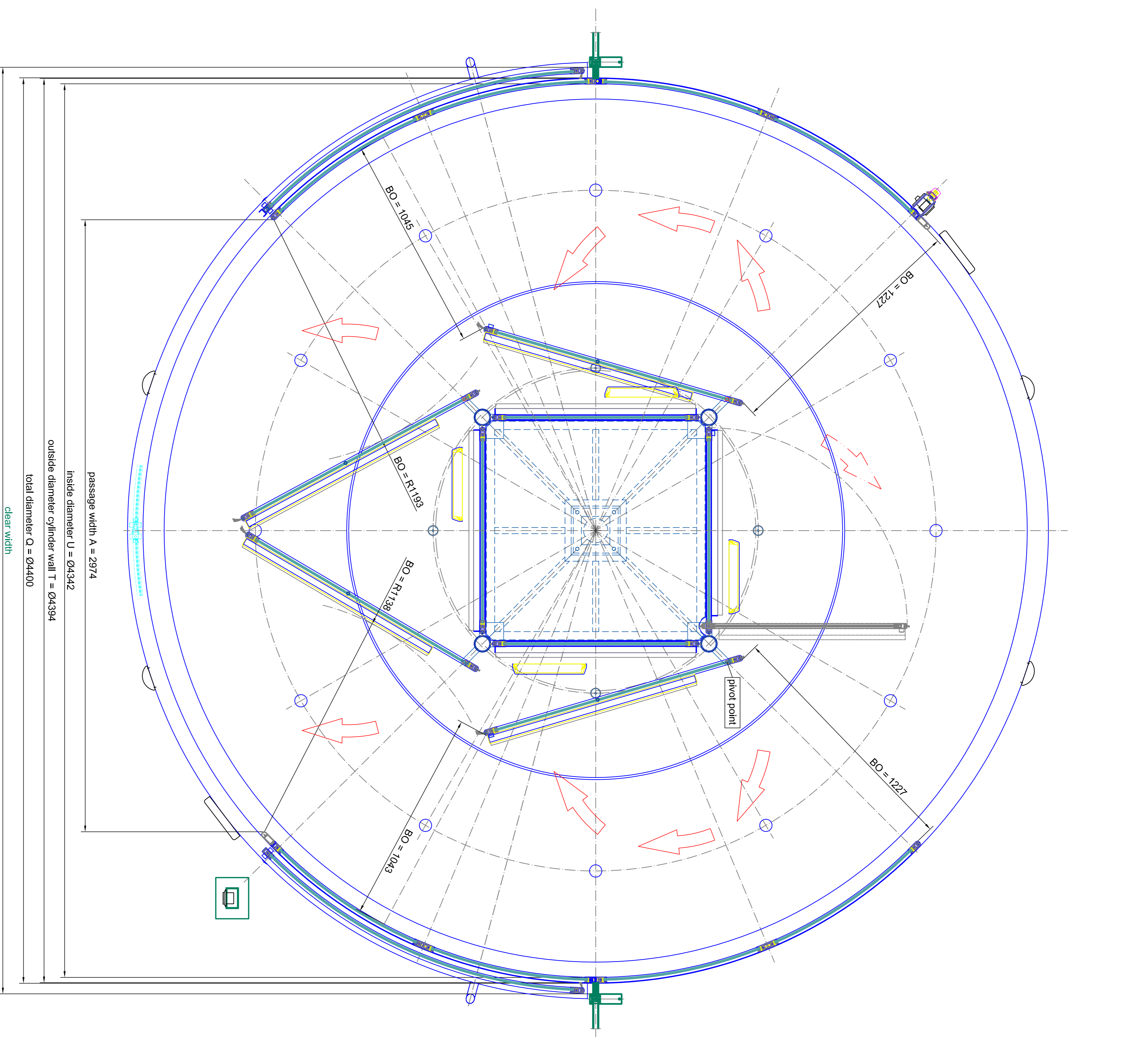


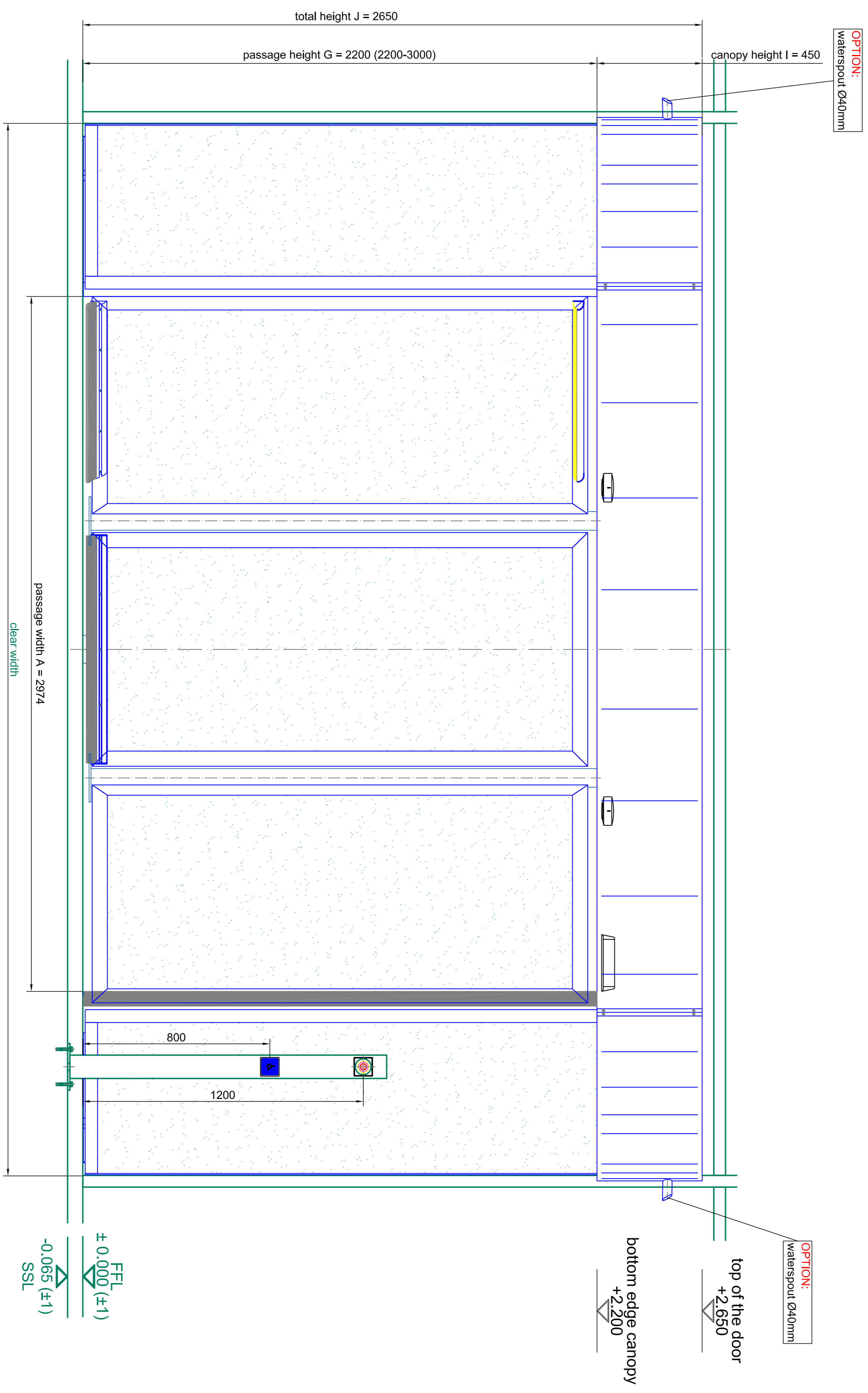
horizontal section - door in standard position



horizontal section - door in break out position

BLASI B L A S I G m b H Automatic Doors Ost. Str. 5-15 D - 71972 Imbrosio		Tel. +390227 / 883 - 291 Fax. +390227 / 883 - 299 E-mail: info@blasi.it WWW: Blasi - 1160	
Model:	Ac=H10	Project:	K41-VI/VIN/MA-44 Break Out
Scale:	1:10	Client:	SAMPLE DRAWING ONLY
Author:	394 44	Designer:	
Checker:		Approver:	
Material:		Drawn by:	
Sheet:	04	Page:	02
Notes:		Page:	04

front elevation - outside



Standard	EN 12201	EN 12201
Door	304 44	(EN 12201)
Glass	tempered safety glass 10 mm	laminated safety glass 10 mm

BLASI
 B L A S I G m b H
 Automatic Doors
 Ost-Str. 5-15
 D - 71737 Tübingen
 Tel. +49(0)7141 / 883 - 281
 Fax. +49(0)7141 / 883 - 289
 E-mail: info@blasig.de
 WWW: blasig.de

Model: **AE-H10**
 Project: **K41-VV/INMA-44 Break Out**
SAMPLE DRAWING ONLY
 Date: 03
 Page: 04

