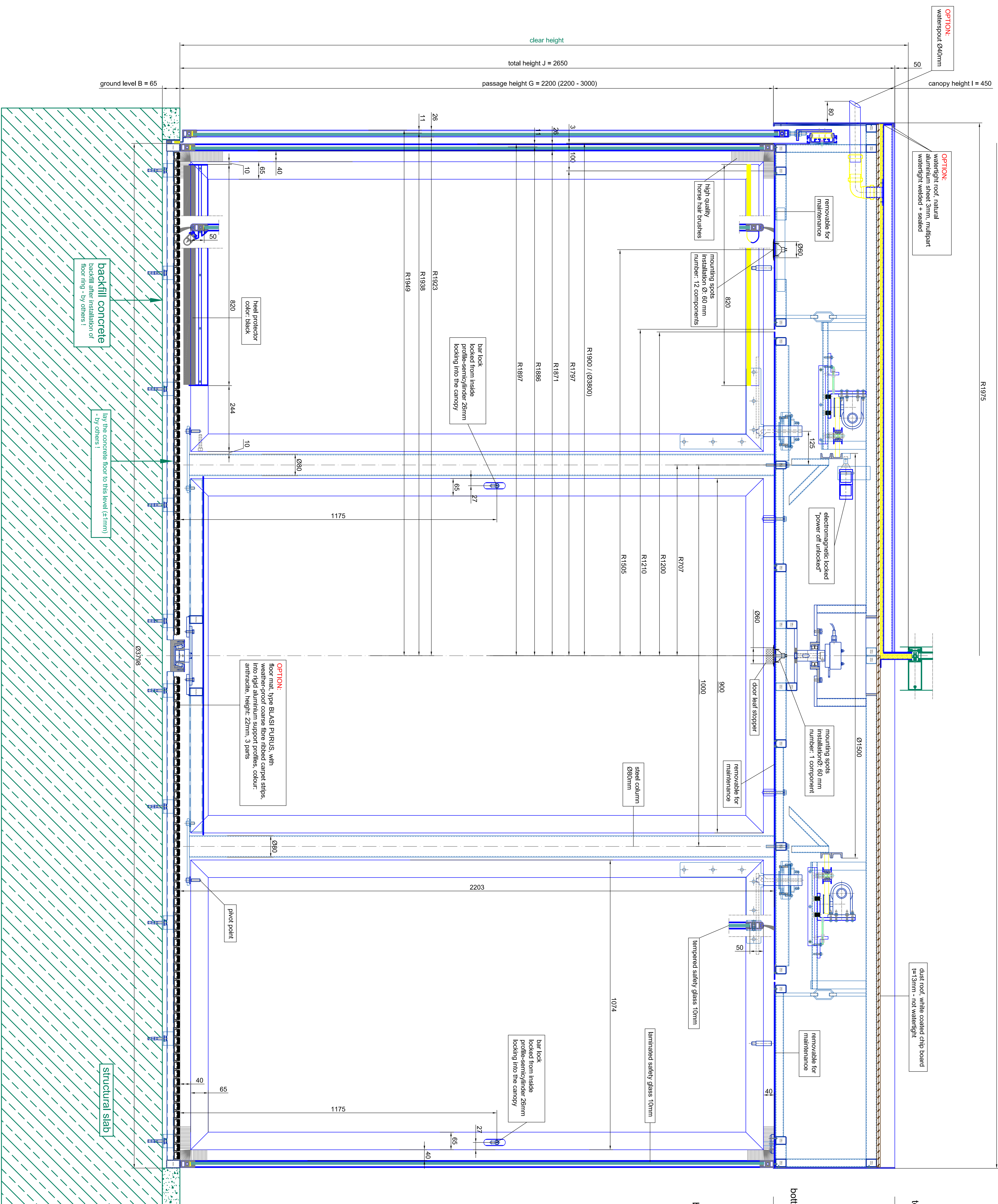


outside

vertical section

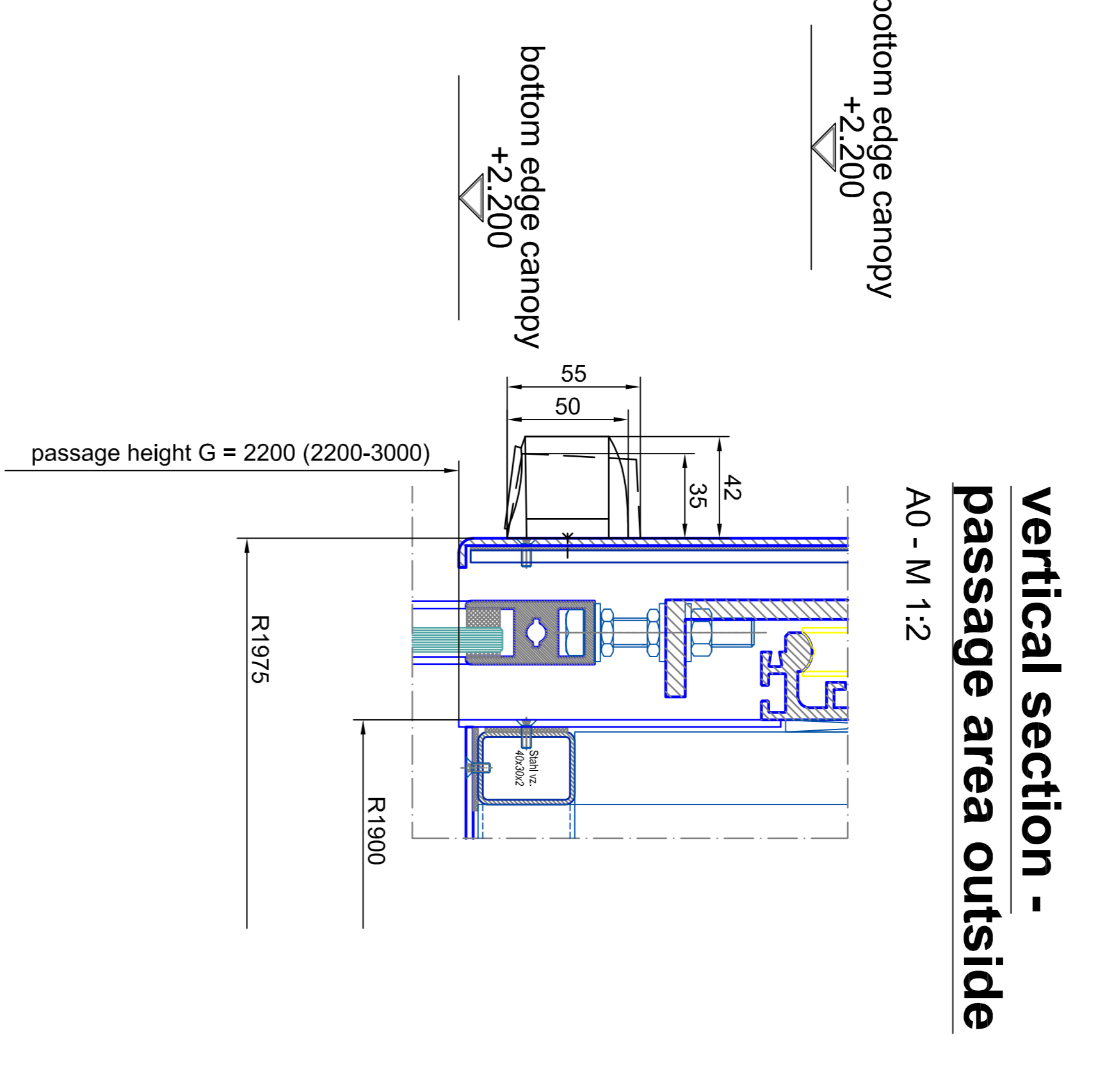
total diameter: Ø=23800

inside

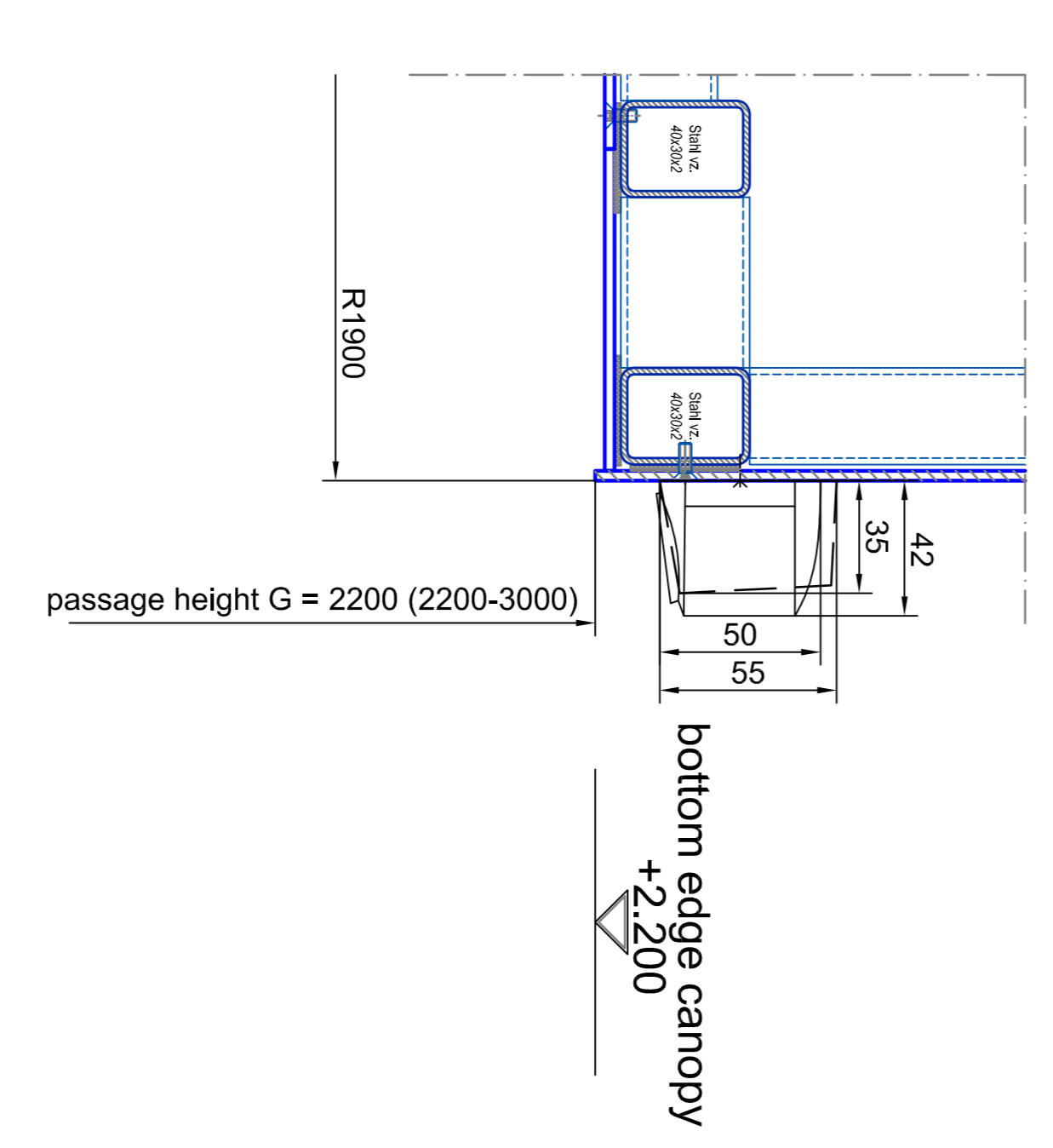


top of the door
+2.650

bottom edge canopy
+2.200



vertical section -
passage area outside
A0 - M 1:2



vertical section -
passage area inside
A0 - M 1:2

Material	Code	Quantity	Unit
tempered safety glass 10 mm	30x48	1	each
laminated safety glass 10 mm		1	each

BLASI

B.L.A.S.I. G. & A. S. r.l.
Autonome Druck- und
Glaswerk - Steel 5-15
D - 77372 Maltingen

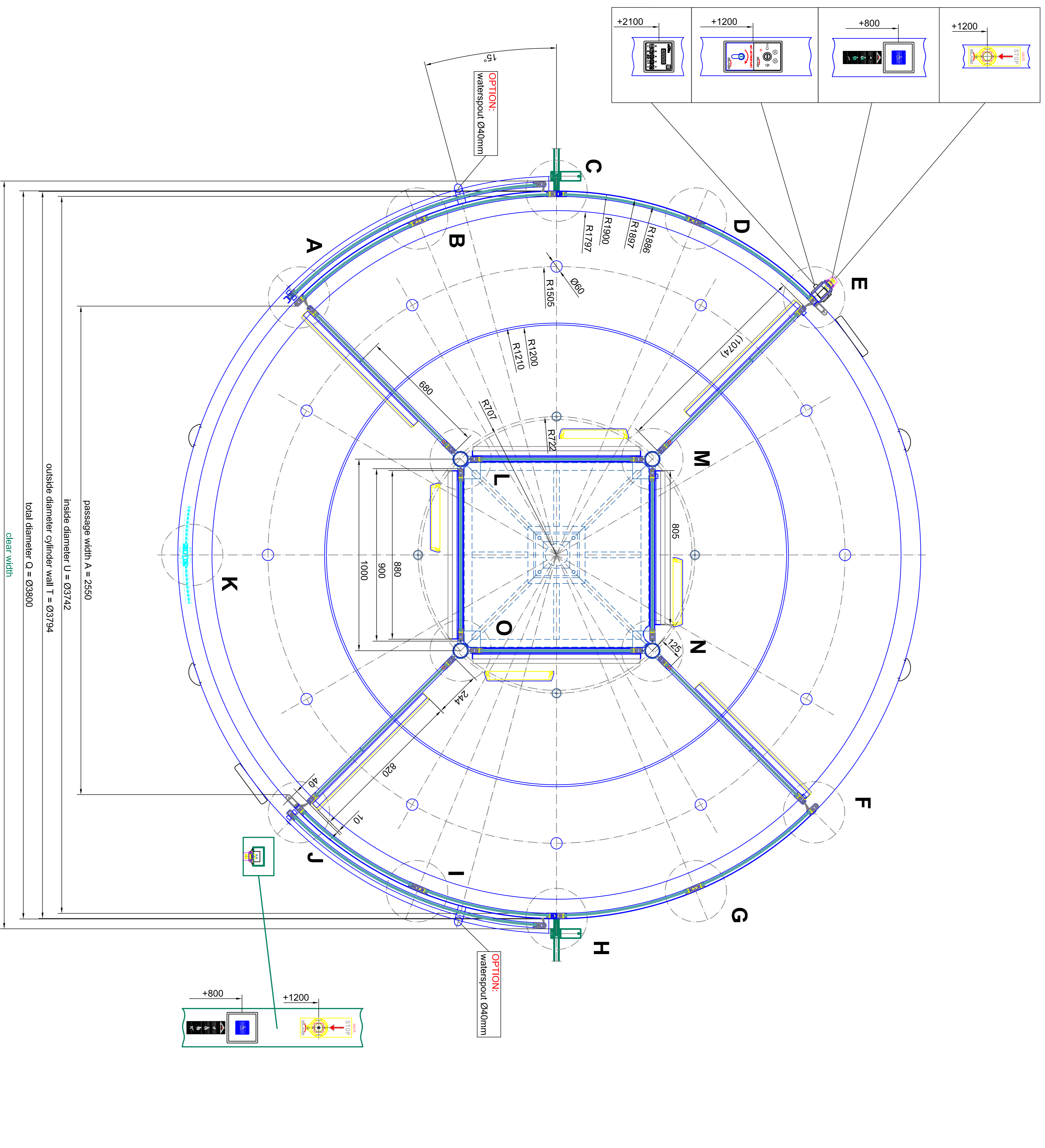
14. Auftrags- / Proj.-Nr.
441-VI/MMA-38

14. Fertigung / Proj.-Nr.
441-VI/MMA-38

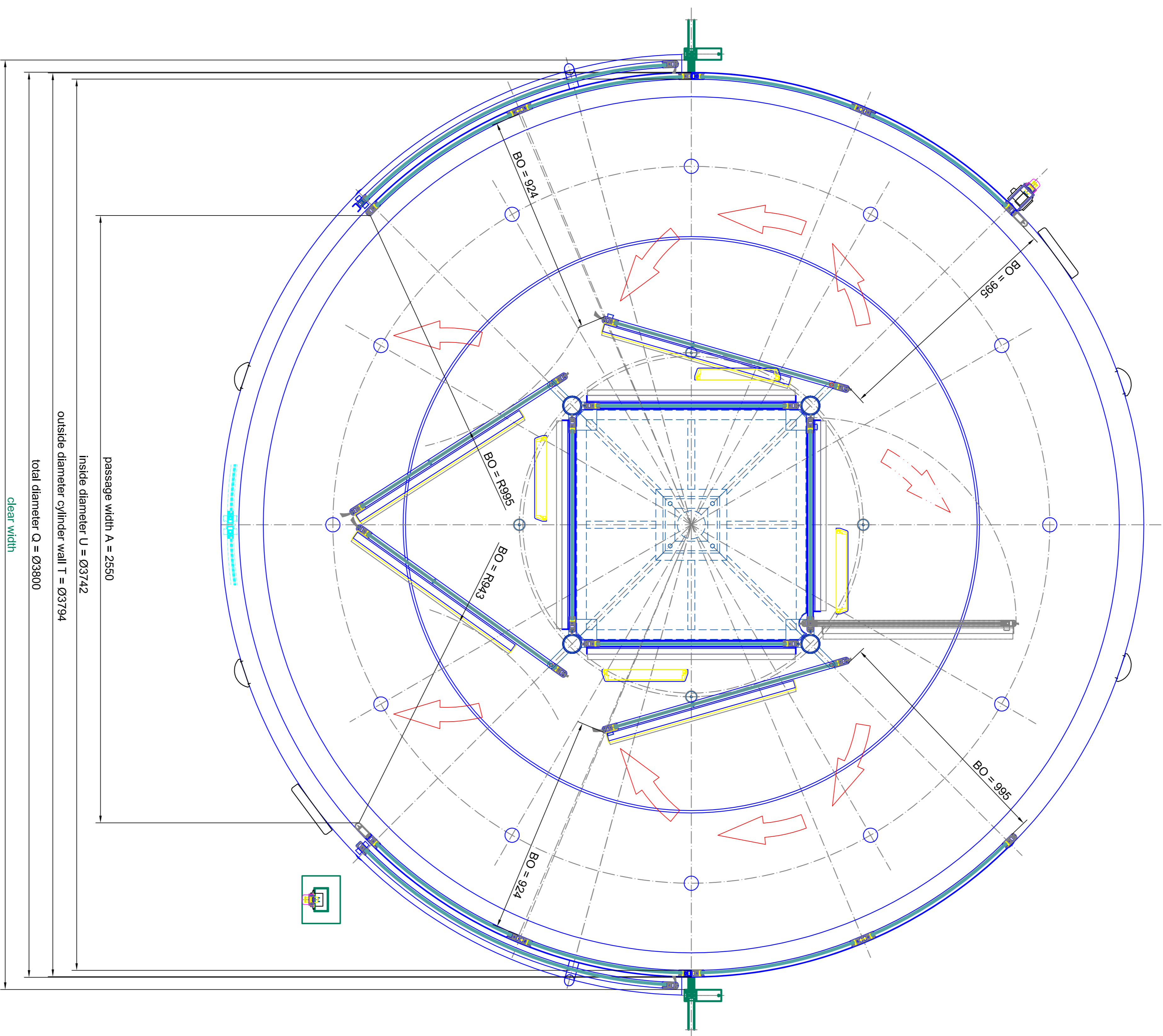
E-Mail: info@blasidat.de
www.blasi.de

K41-VI/MMA-38 Break Out
SAMPLE DRAWING ONLY

Scale: 01
Date: 04



horizontal section - door in standard position



horizontal section - door in break out position

outside

inside

Material	304 s316	Standard
Material	tempered safety glass 10 mm	Standard
Material	tempered safety glass 10 mm	Standard

Material	304 s316	Standard
Material	tempered safety glass 10 mm	Standard
Material	tempered safety glass 10 mm	Standard

BLASI

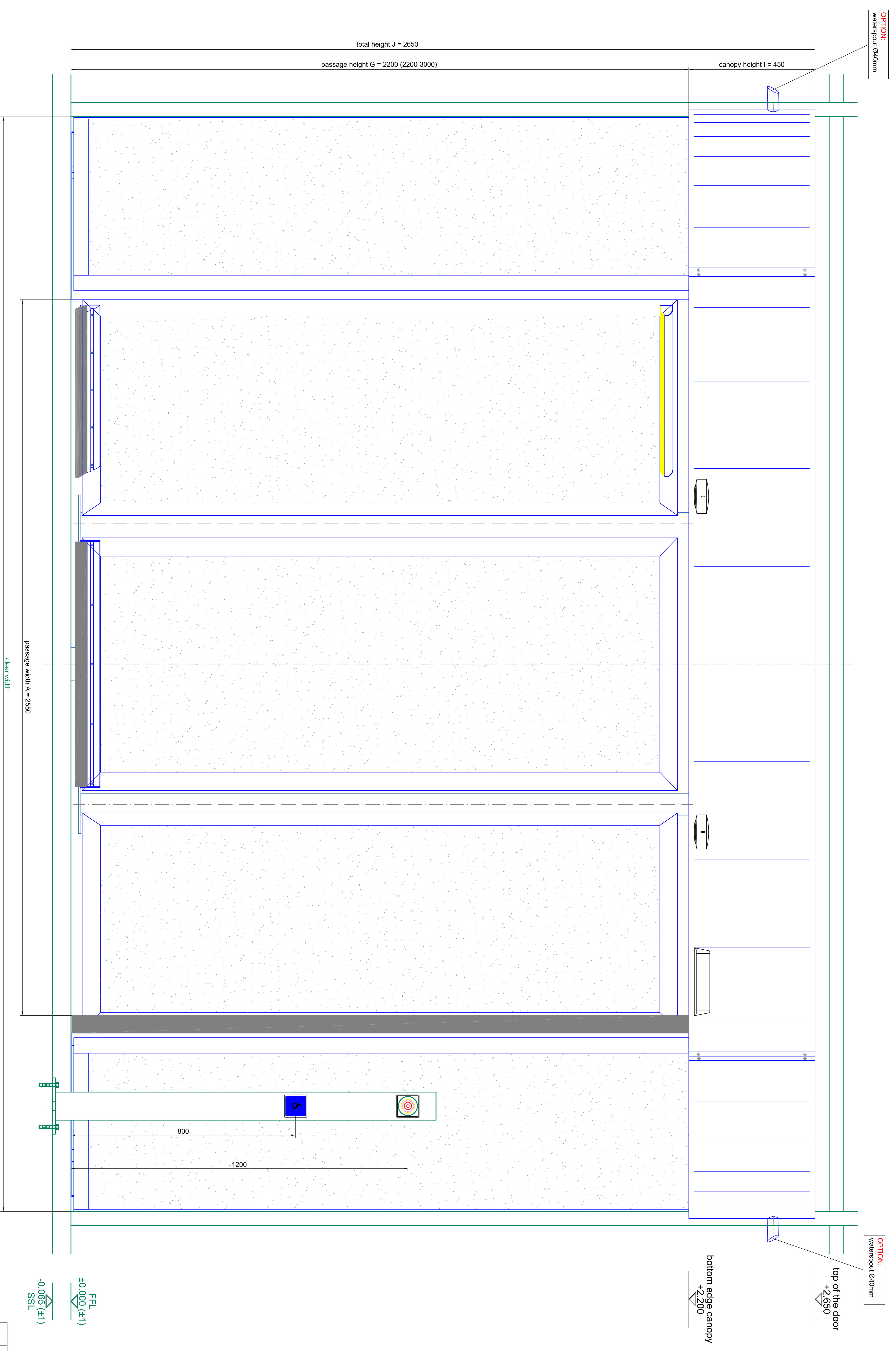
B.L.S. S.p.A. s.r.l.
 Autoclave Door
 Call Center - Steel 5-15
 D - 77172 Marilong

Tel. +3902 / 881 - 291
 Fax. +39022 / 881 - 299
 E-mail: info@blasidoor.com
 www.blasi.info

Project: **K41-V/MMA-38 Break Out**
 Title: **SAMPLE DRAWING ONLY**

Scale: 1:10
 Drawing No.: 02
 Date: 04

front elevation - outside



Material	Specification	Notes
Window	tempered safety glass 10 mm	tempered safety glass 10 mm
Frame	Alu-pvc material components made to standard EN 10243	tempered safety glass 10 mm

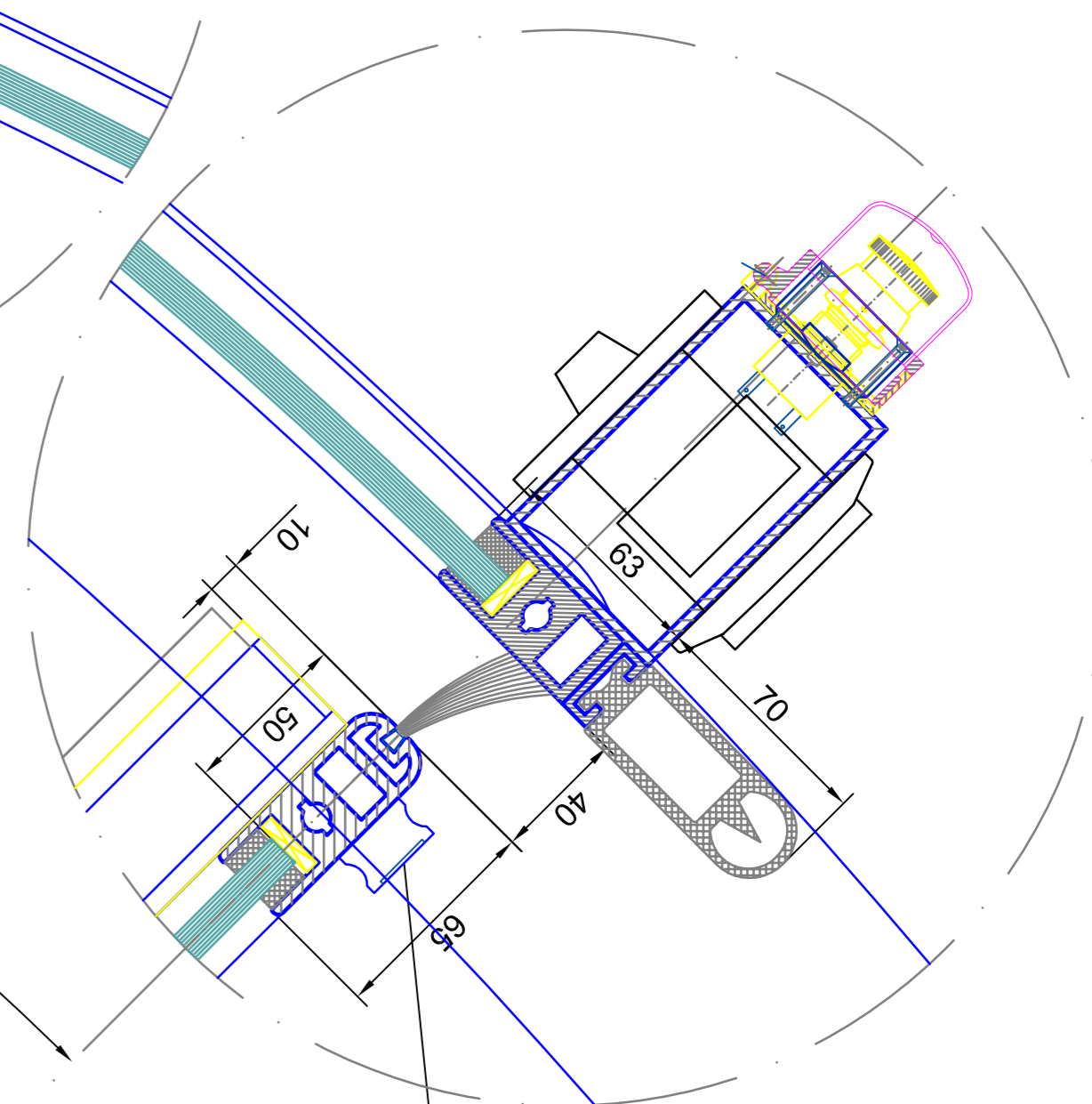
BLASI
 B.L.A.S.I. G. & A. S. r.l.
 Aut. Min. Sc. n. 100/2001
 Cert. Inter. Sc. n. 5/15
 D. 77372 Malindi

TELEFONO: +39 02 48393 200 - 201
 FAX: +39 02 48393 200 - 200
 E-MAIL: info@blasi.it
 WWW: blasit.info

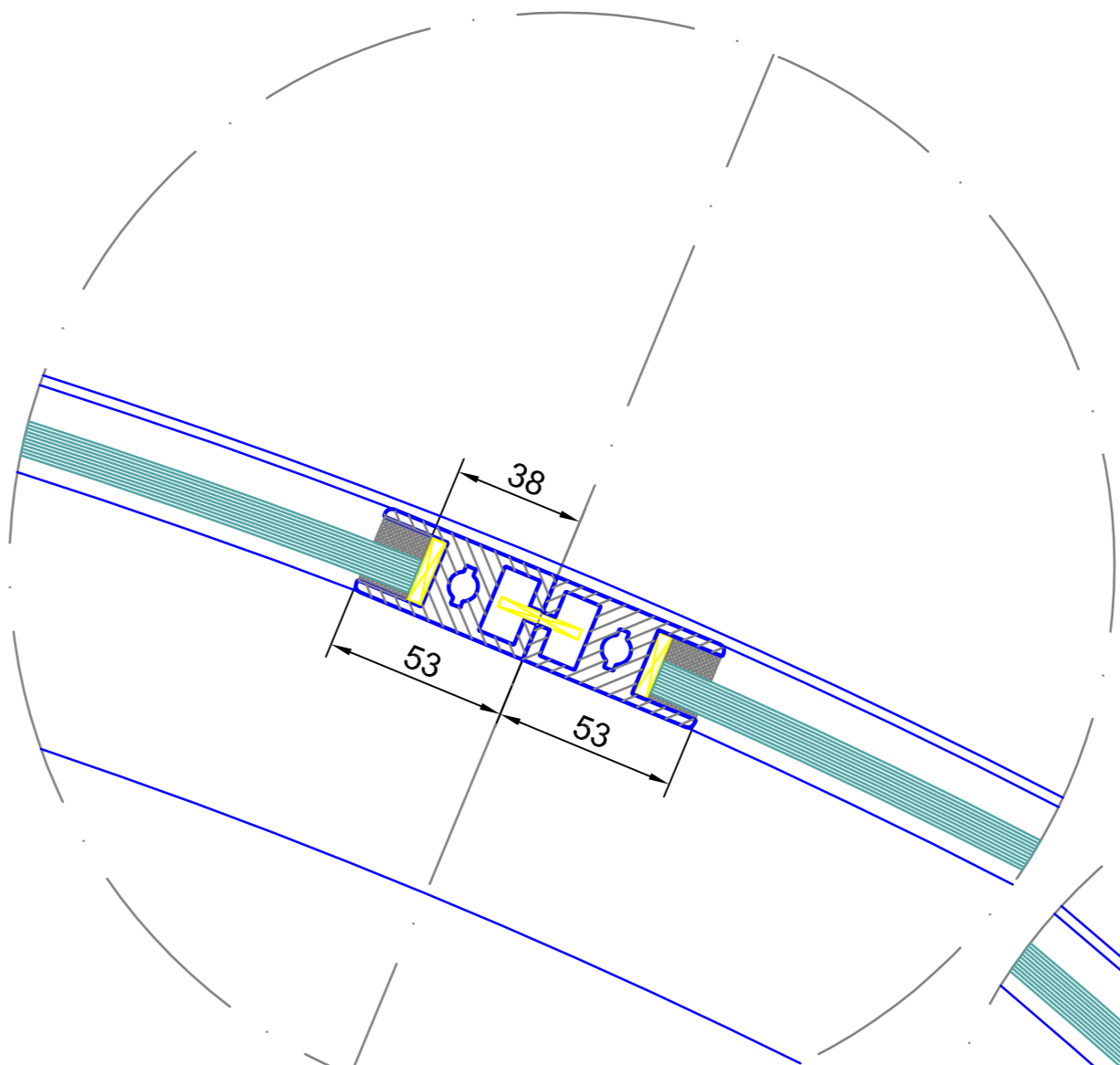
Project: **K41-1/VV/MMA-38 Break Out**
 Type: **SAMPLE DRAWING ONLY**

Scale: 03
 Date: 04

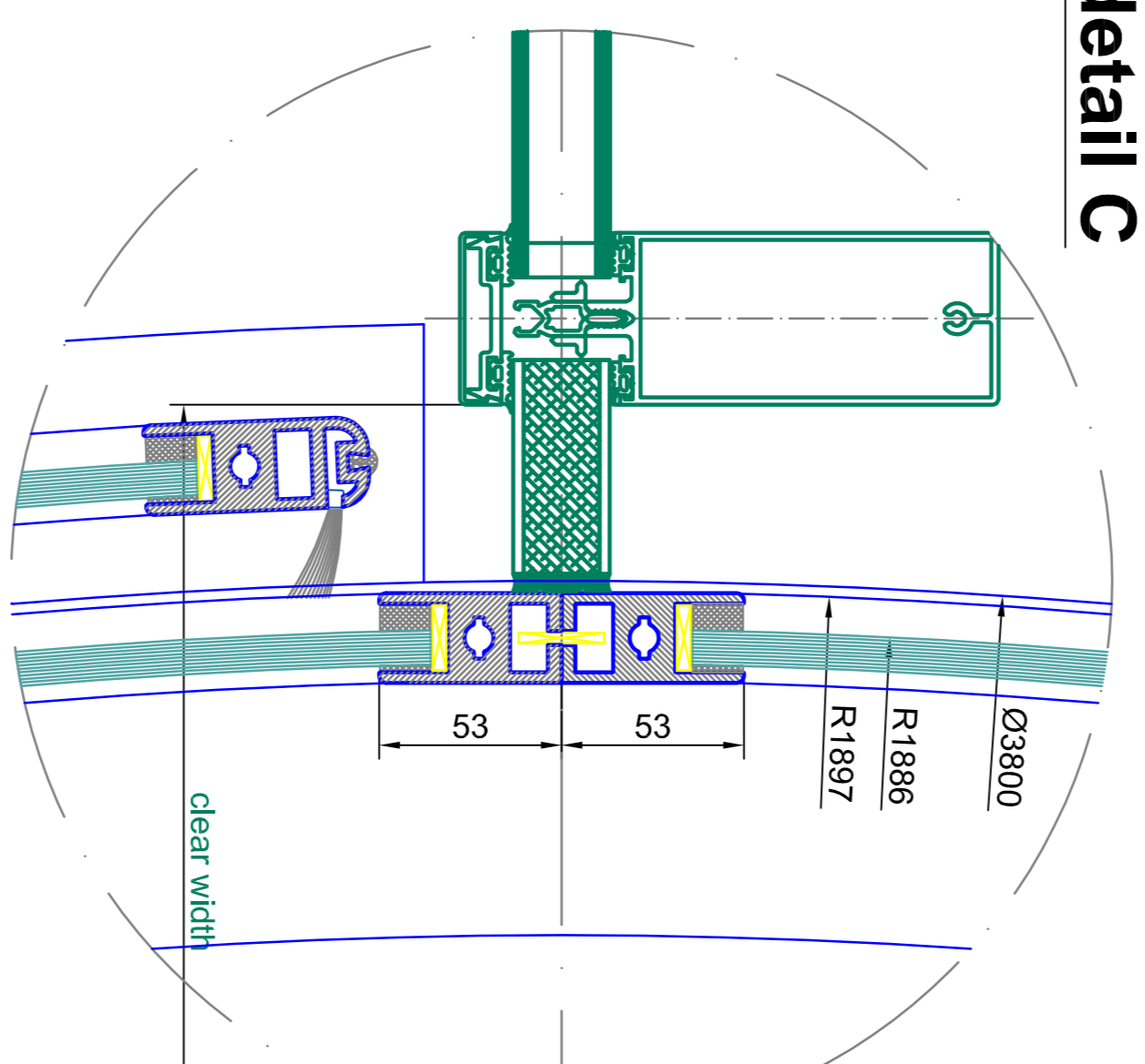
detail E



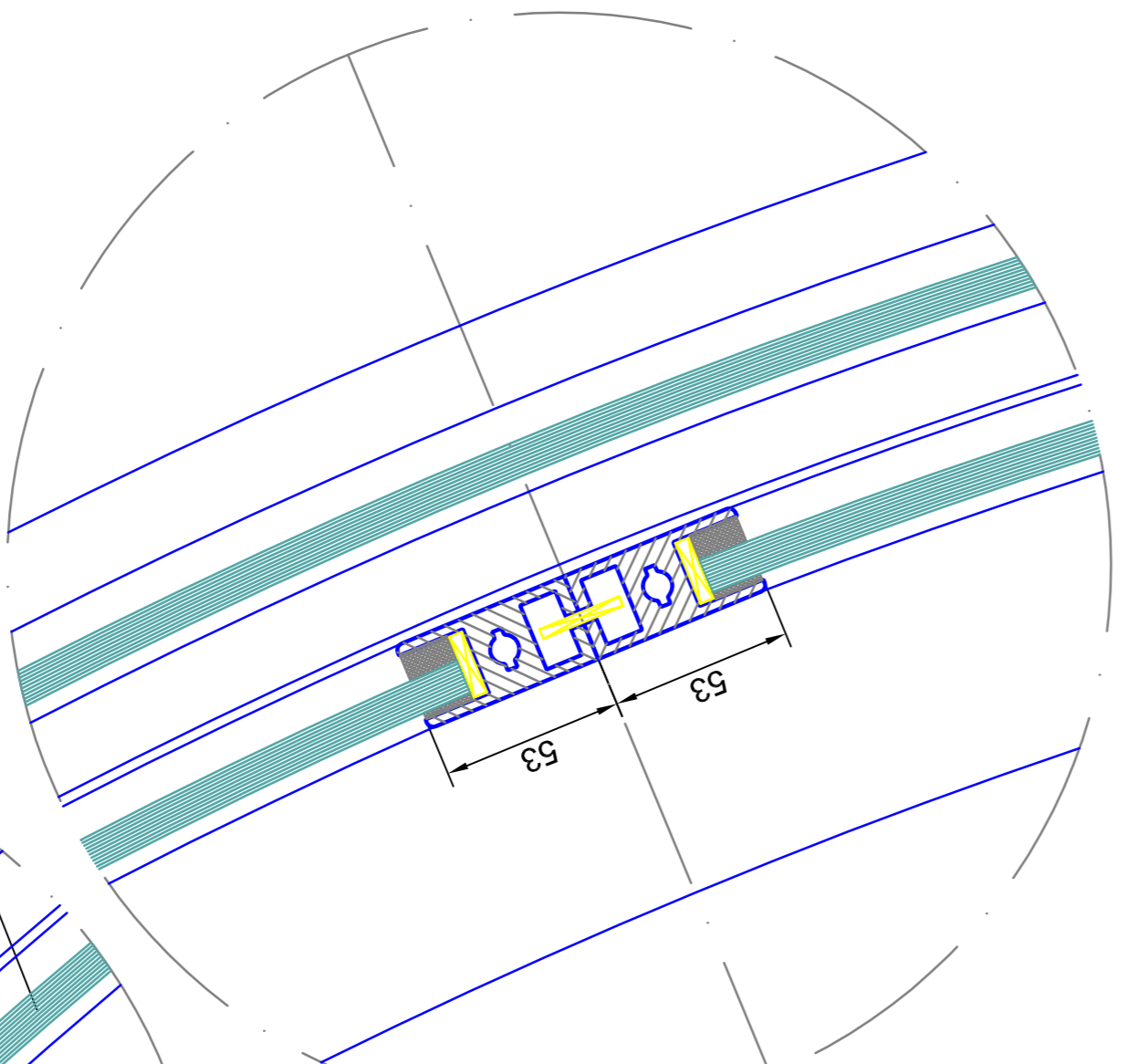
detail D



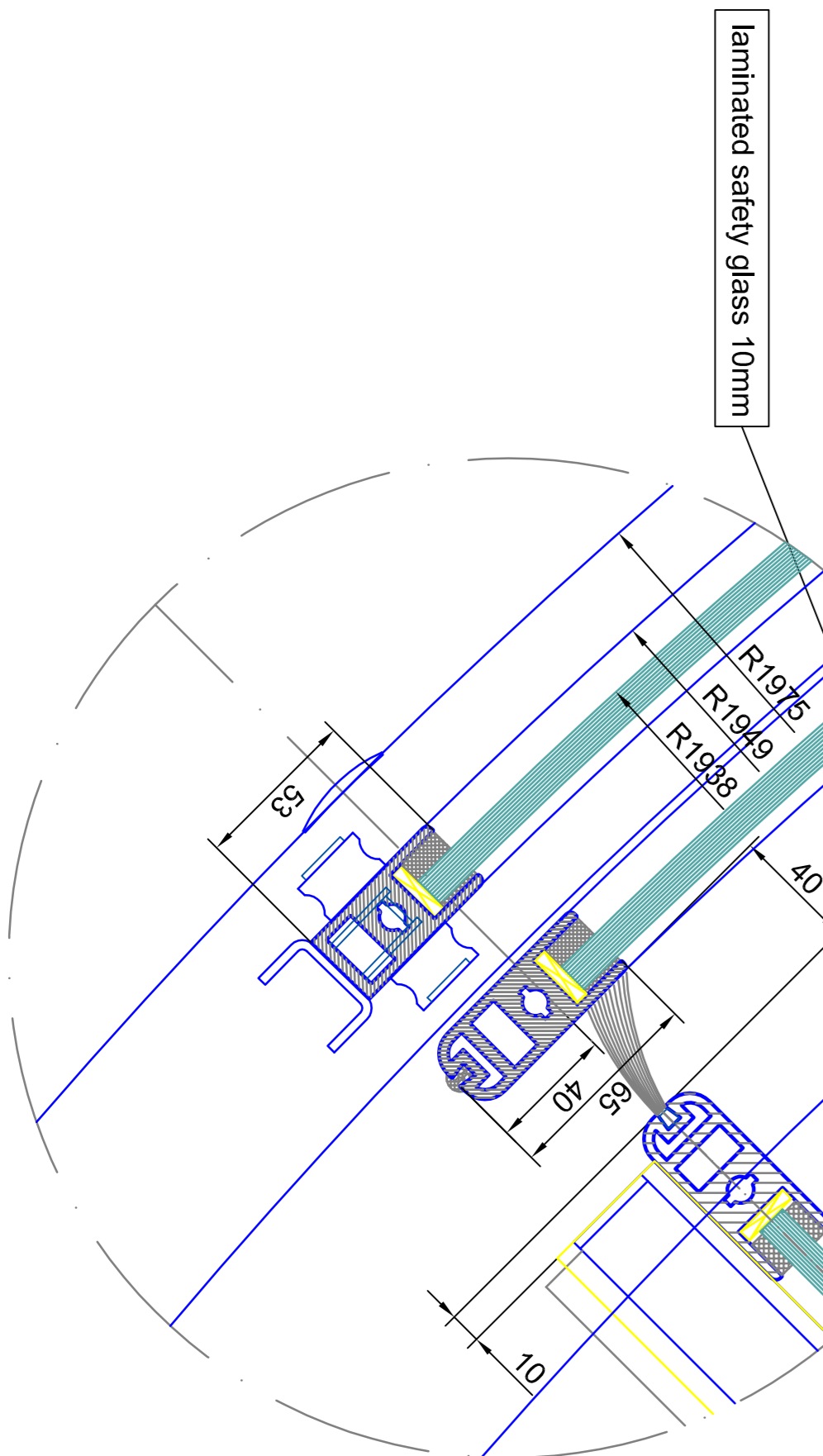
detail C



detail B



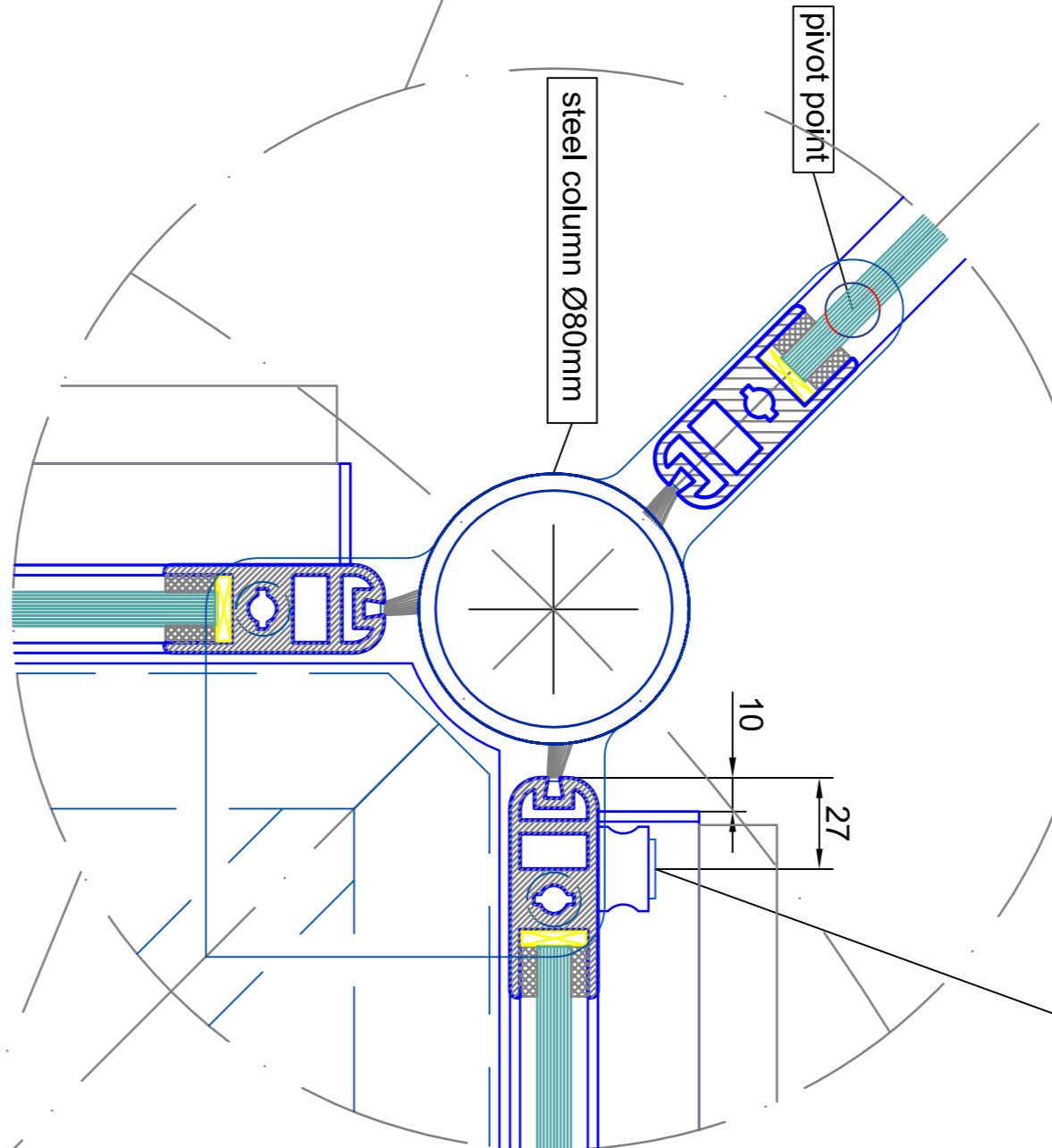
detail A



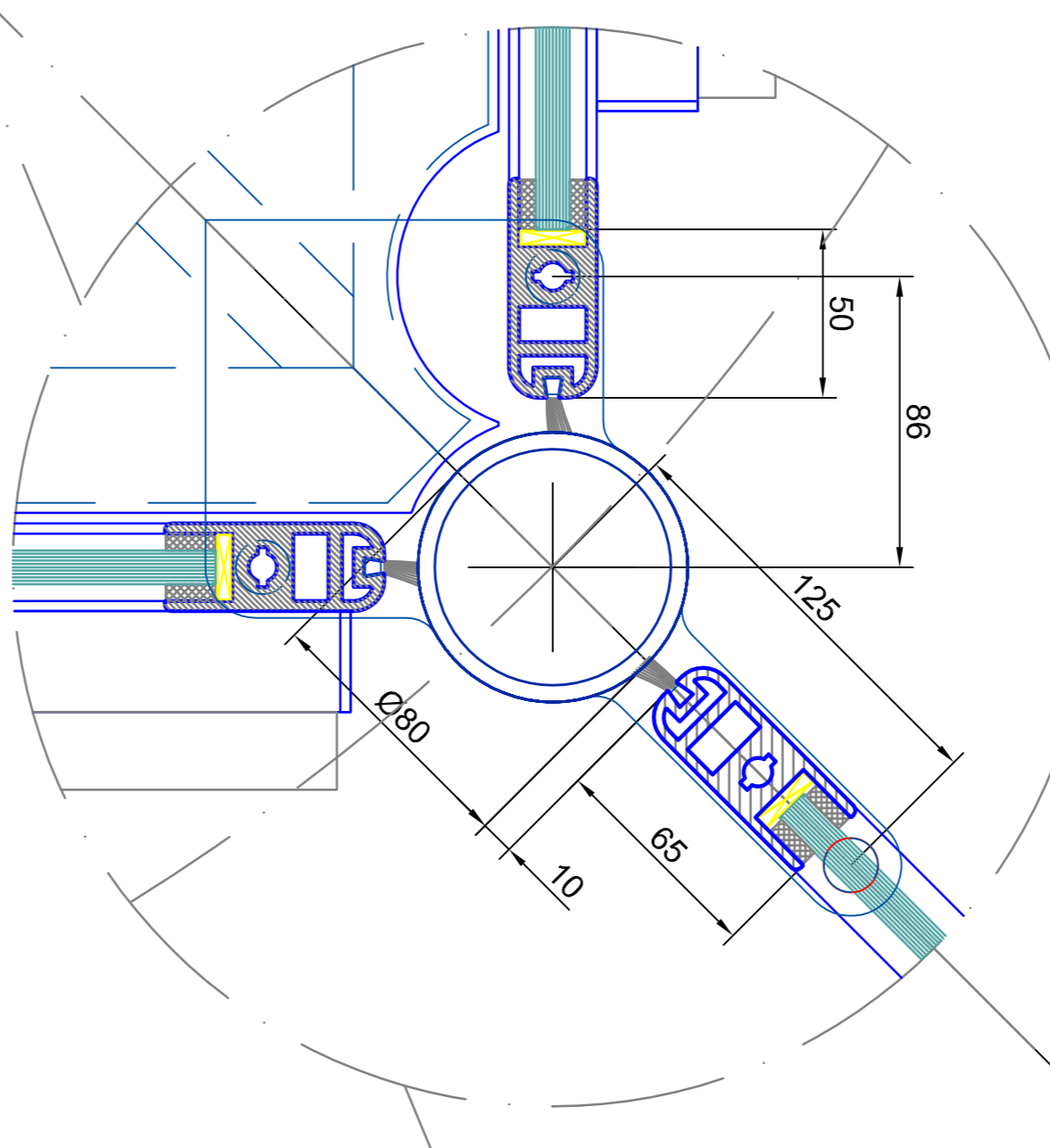
inside

bar lock locked from inside profile-semicylinder 26mm locking into the canopy

detail M

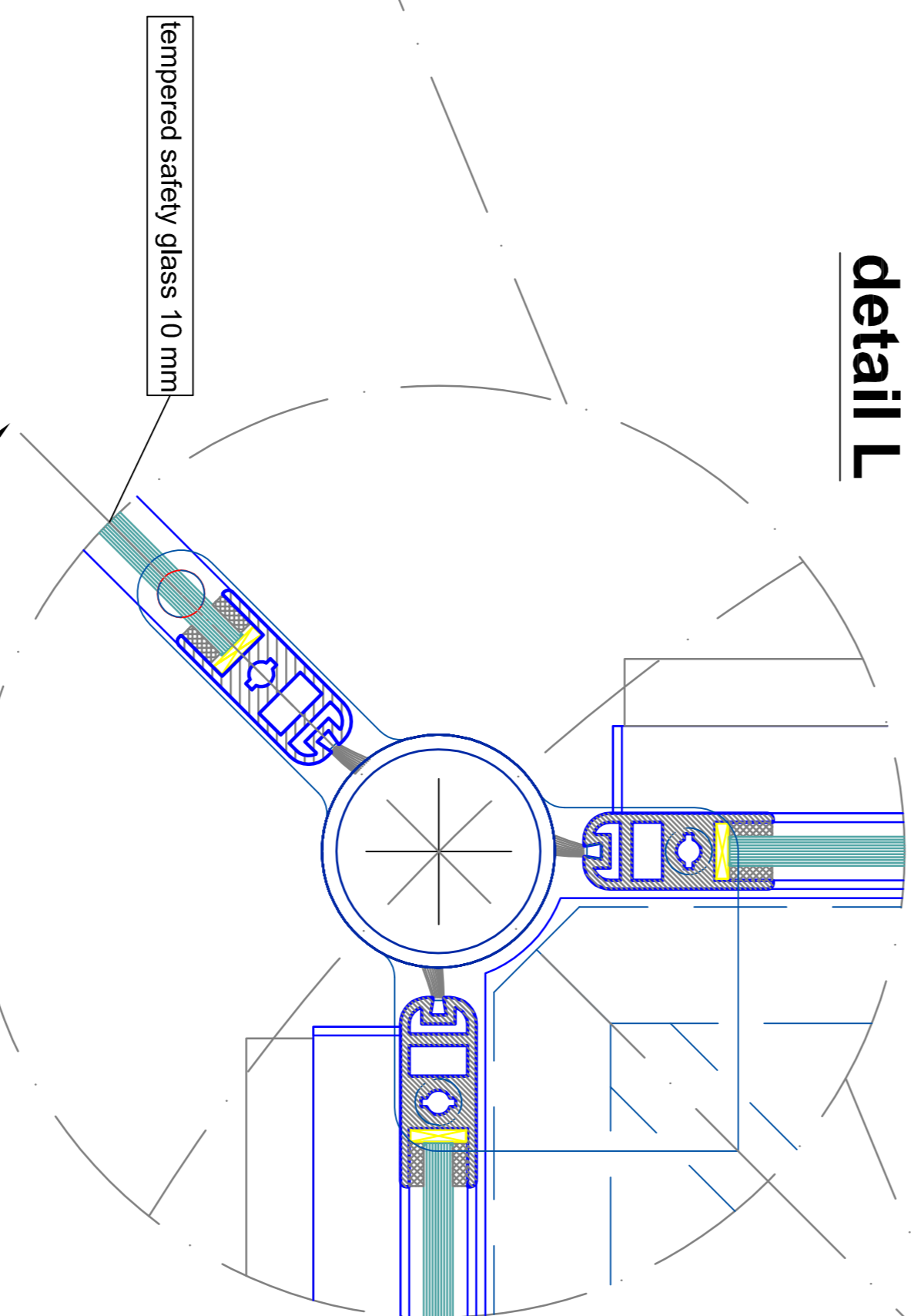


detail N

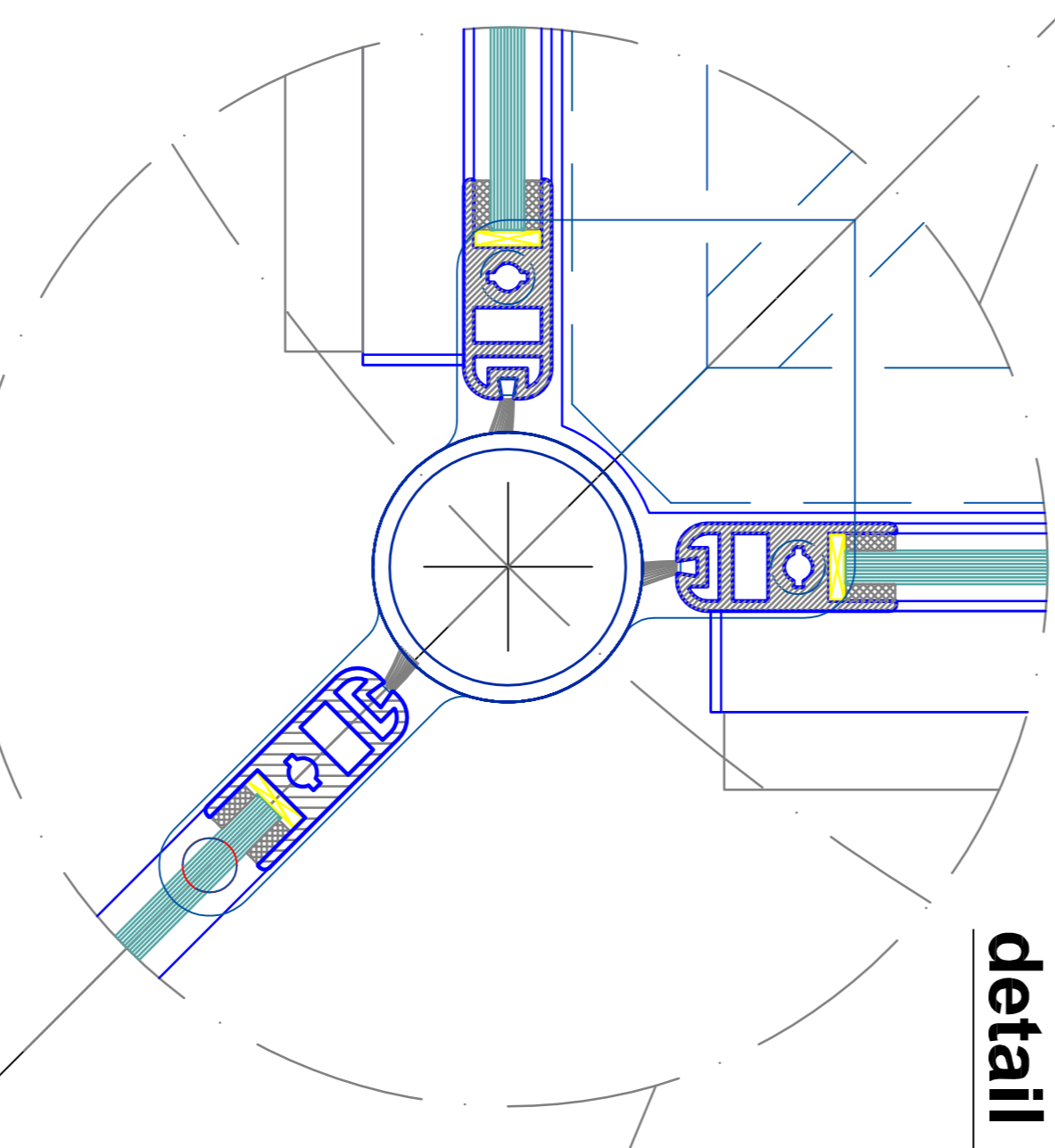


bar lock locked from inside profile-semicylinder 26mm locking into the canopy

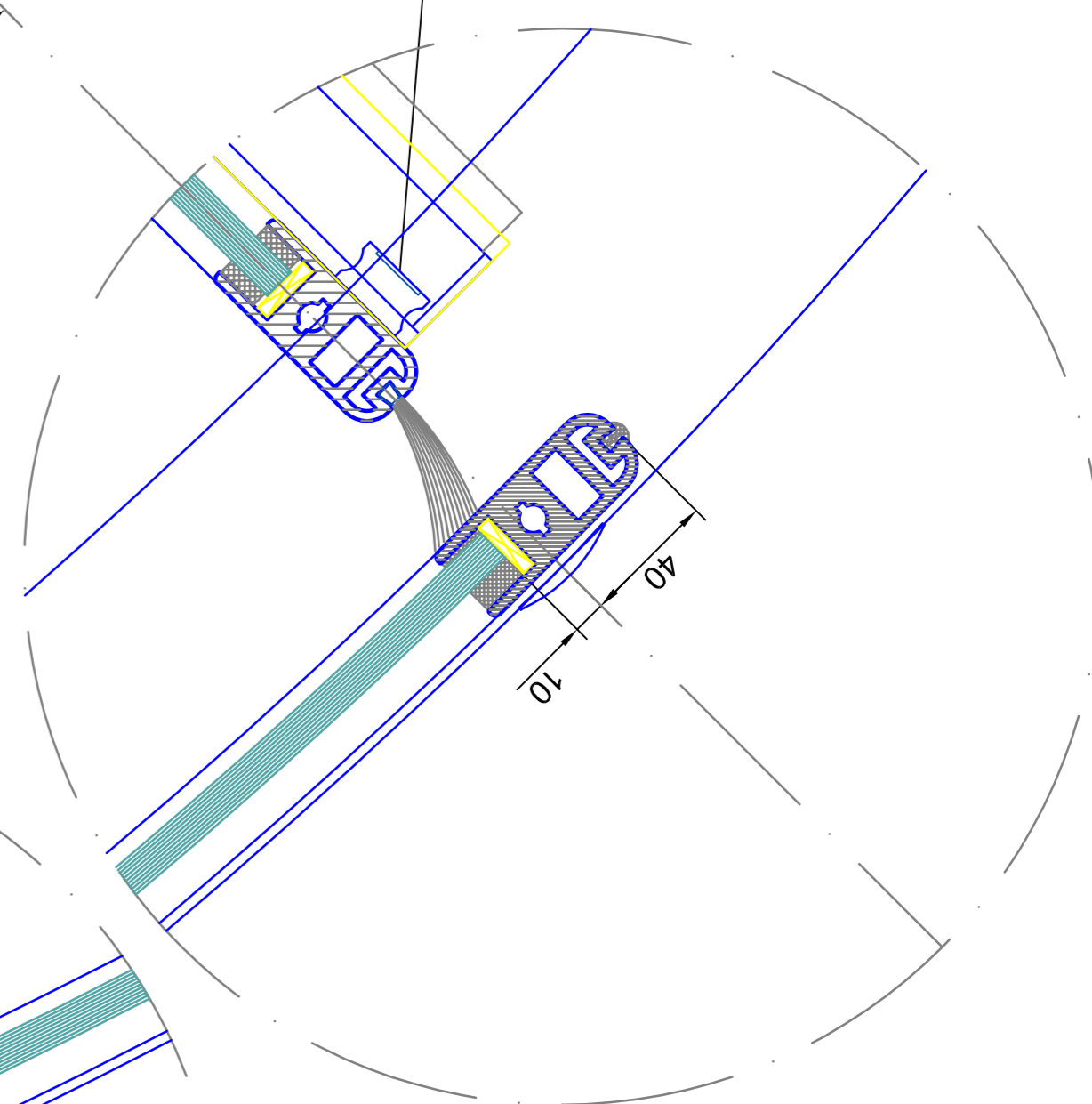
detail L



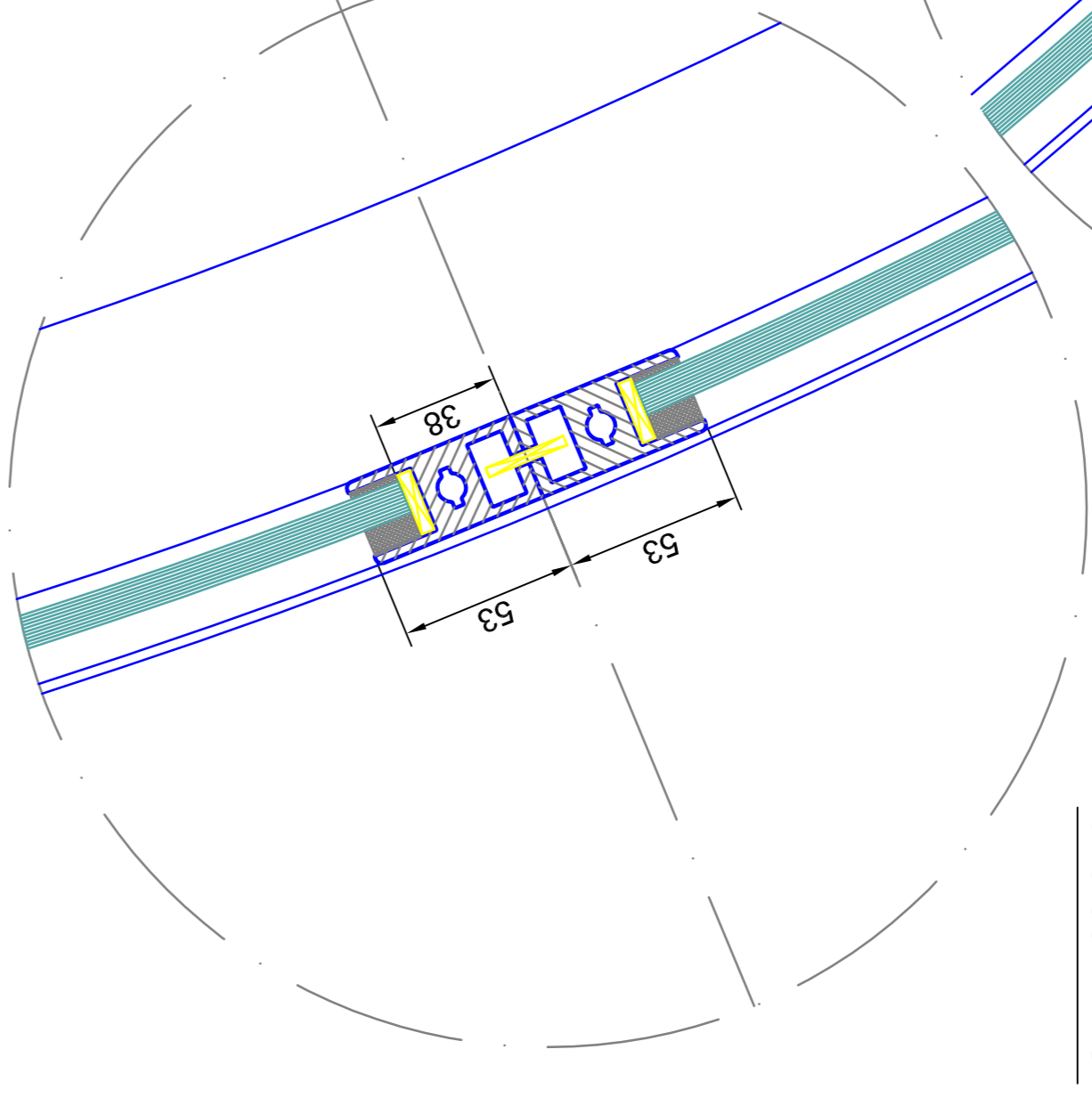
detail O



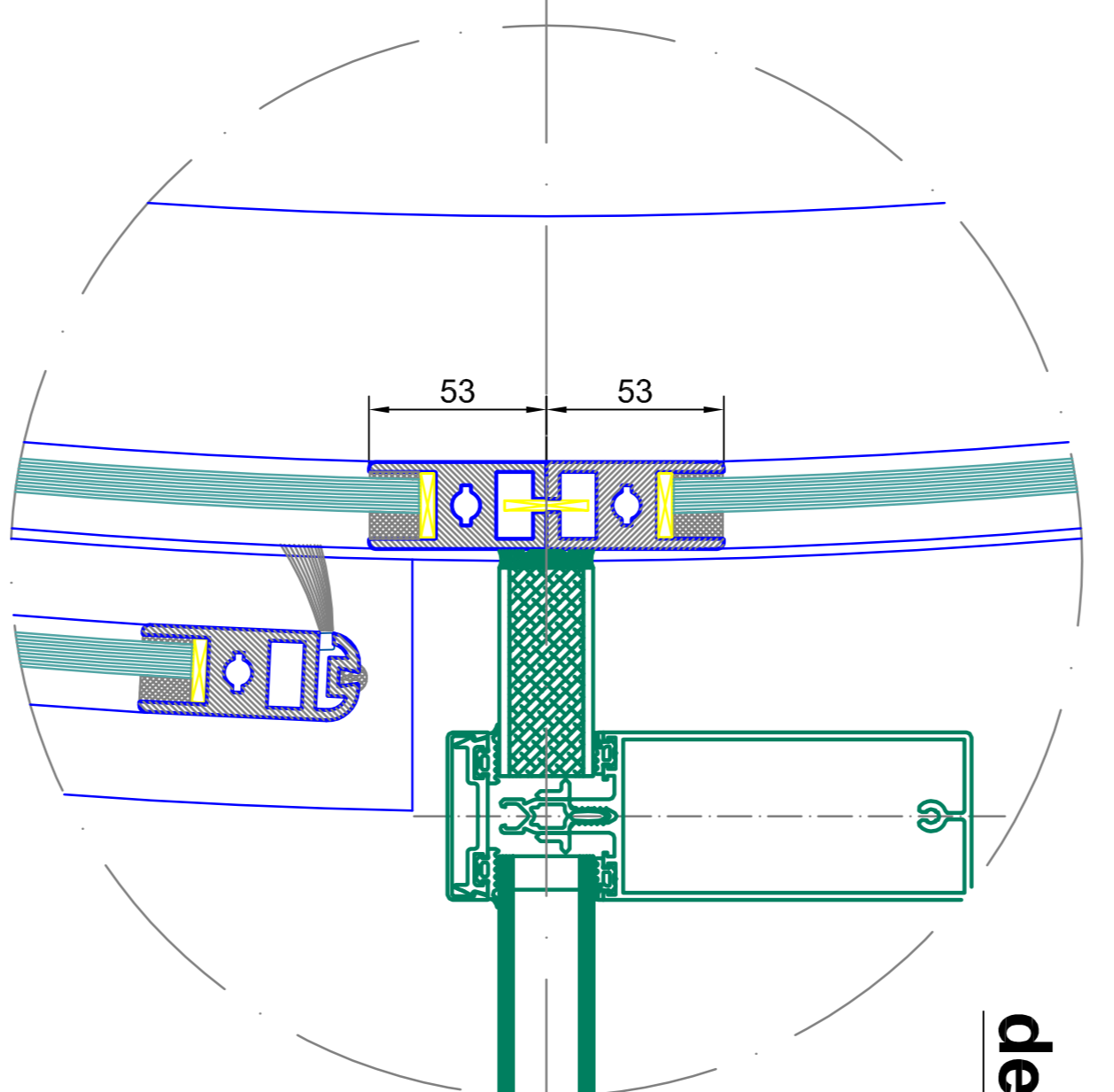
detail F



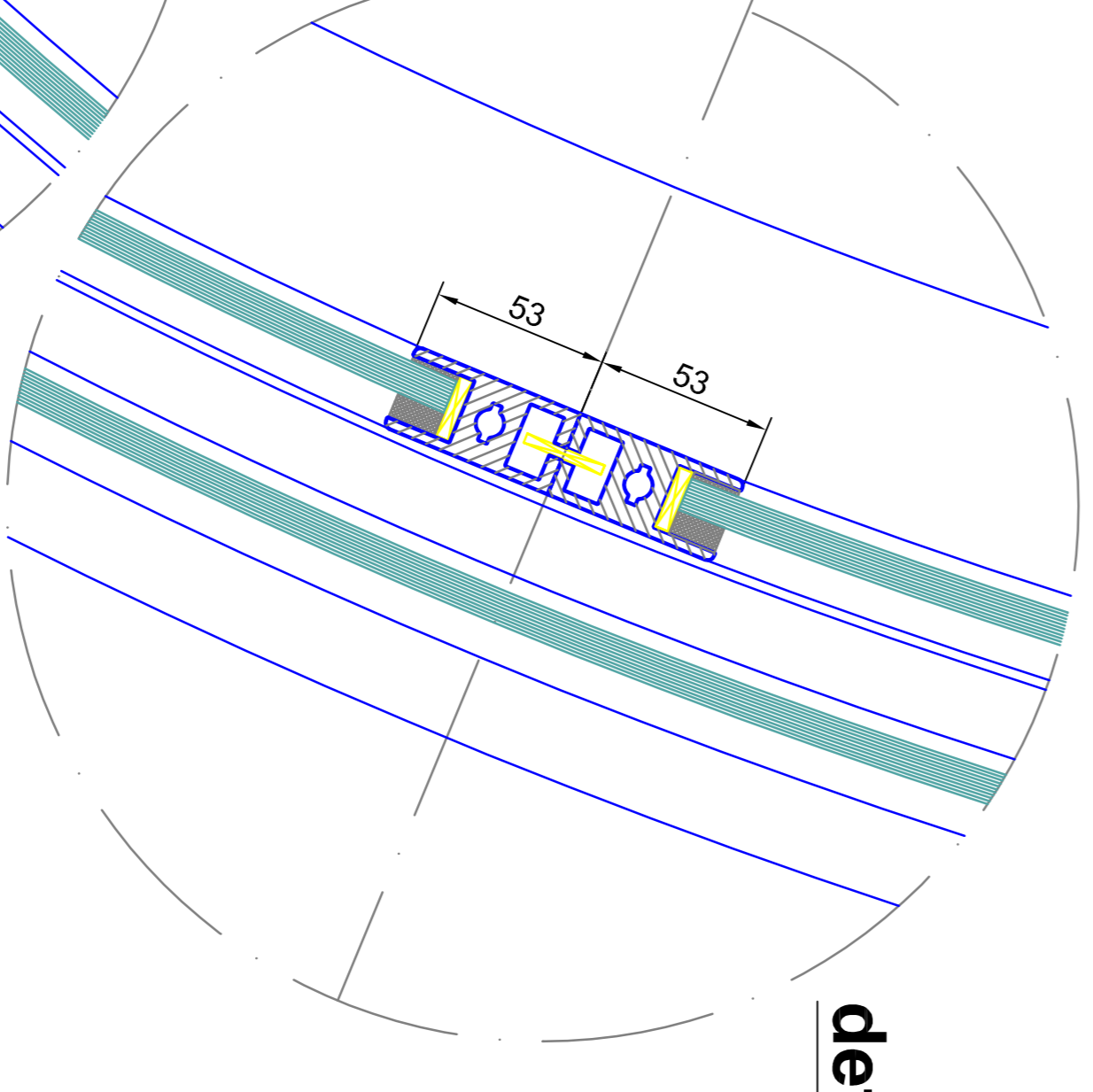
detail G



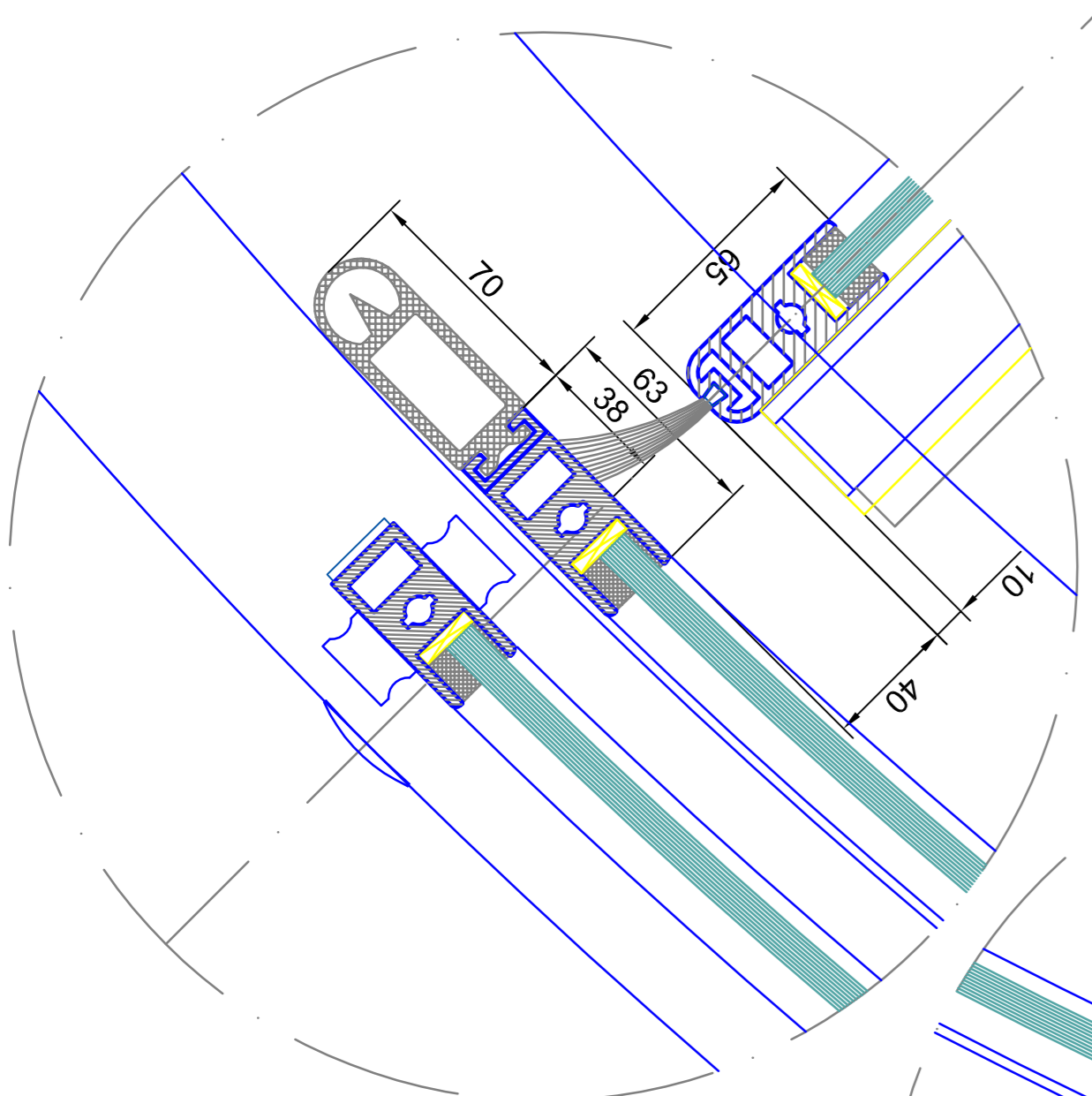
detail H



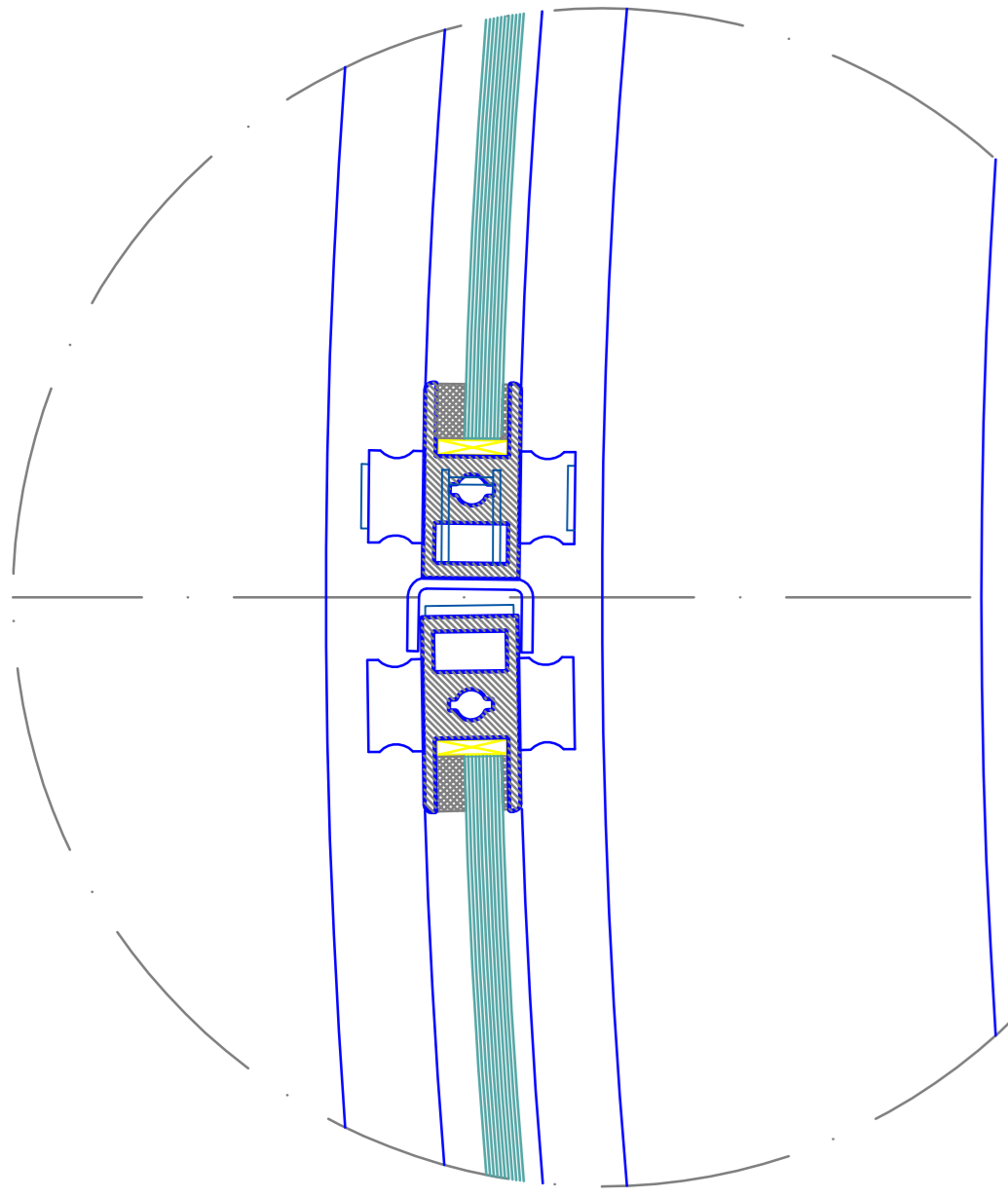
detail I



detail J



detail K



outside

Material	Specification	Notes
Glass	tempered safety glass 10 mm	All gasketed components must be secured to prevent movement.
Glass	laminated safety glass 10 mm	

BLASI

B.L.A.S.I. G. & A. S.p.A.
 Autostar, Duino - Italy
 Tel. +39022 7881 288
 Fax. +39022 7881 289
 E-mail: info@blasidi.com
 D - 77172 Mollino
 www.blasi.info

Project: **R41-V/VM/A-38 Break Out**
 Drawing: **SAMPLE DRAWING ONLY**