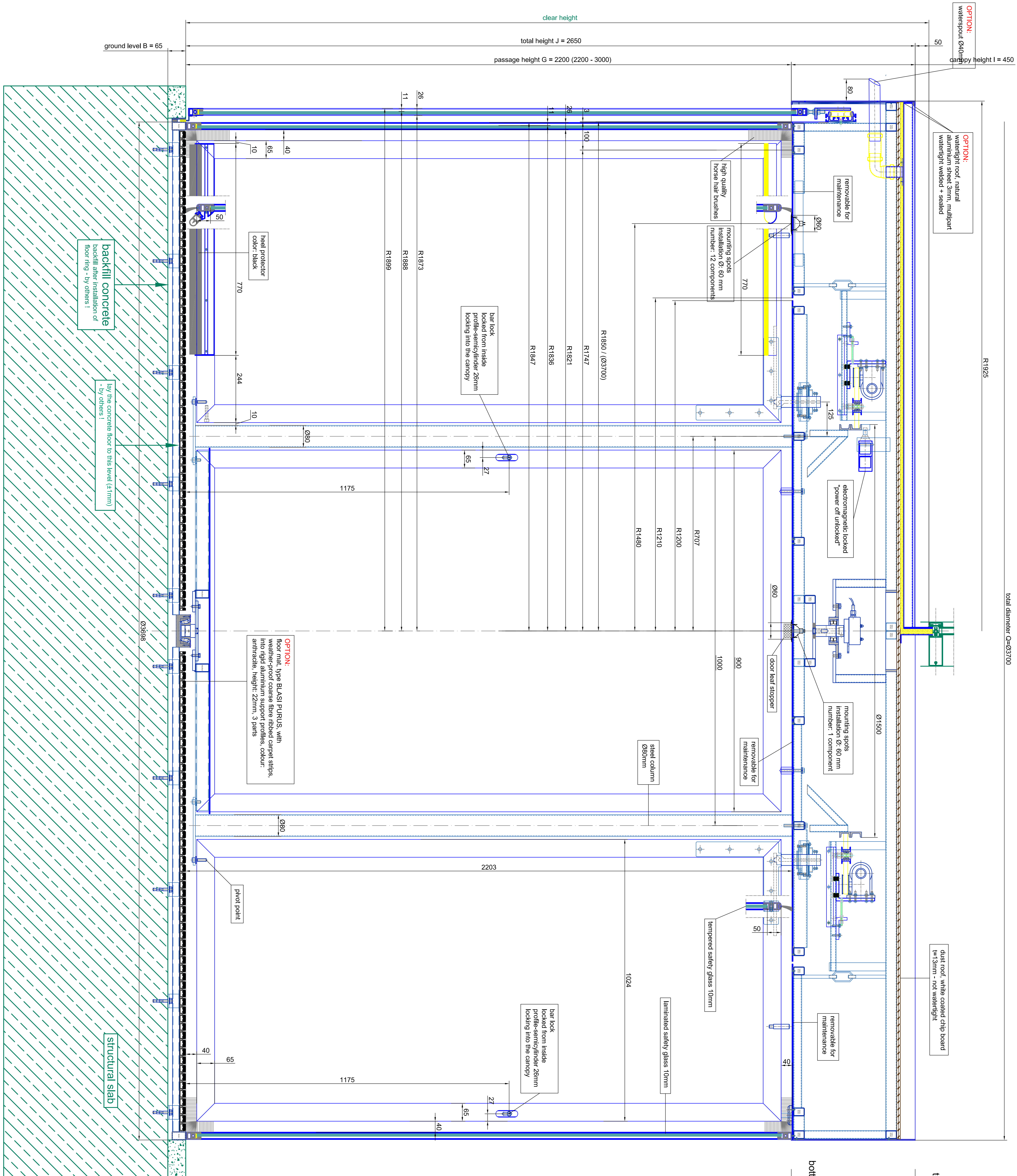


outside

vertical section

total diameter $\varnothing=63700$



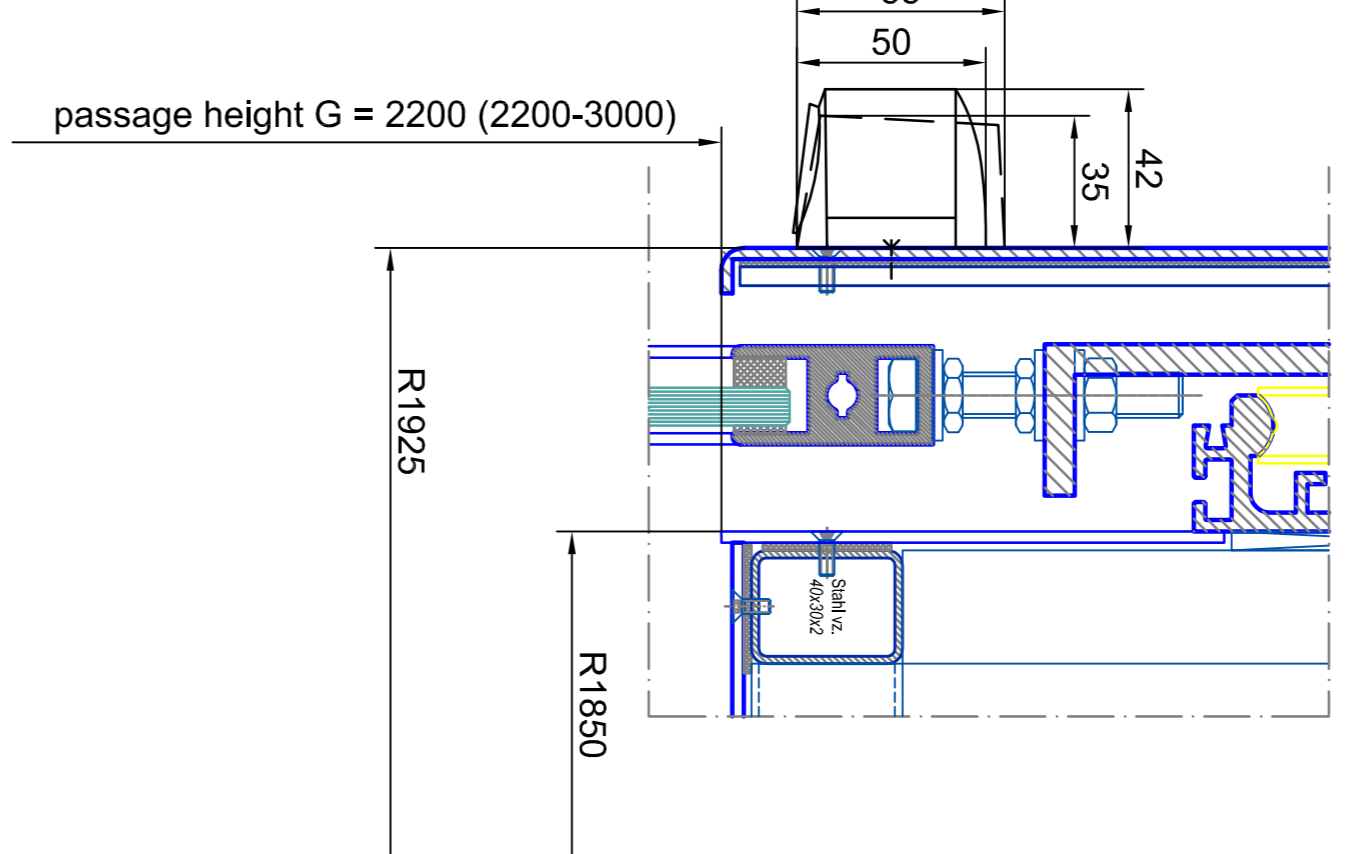
inside

top of the door
+2.650

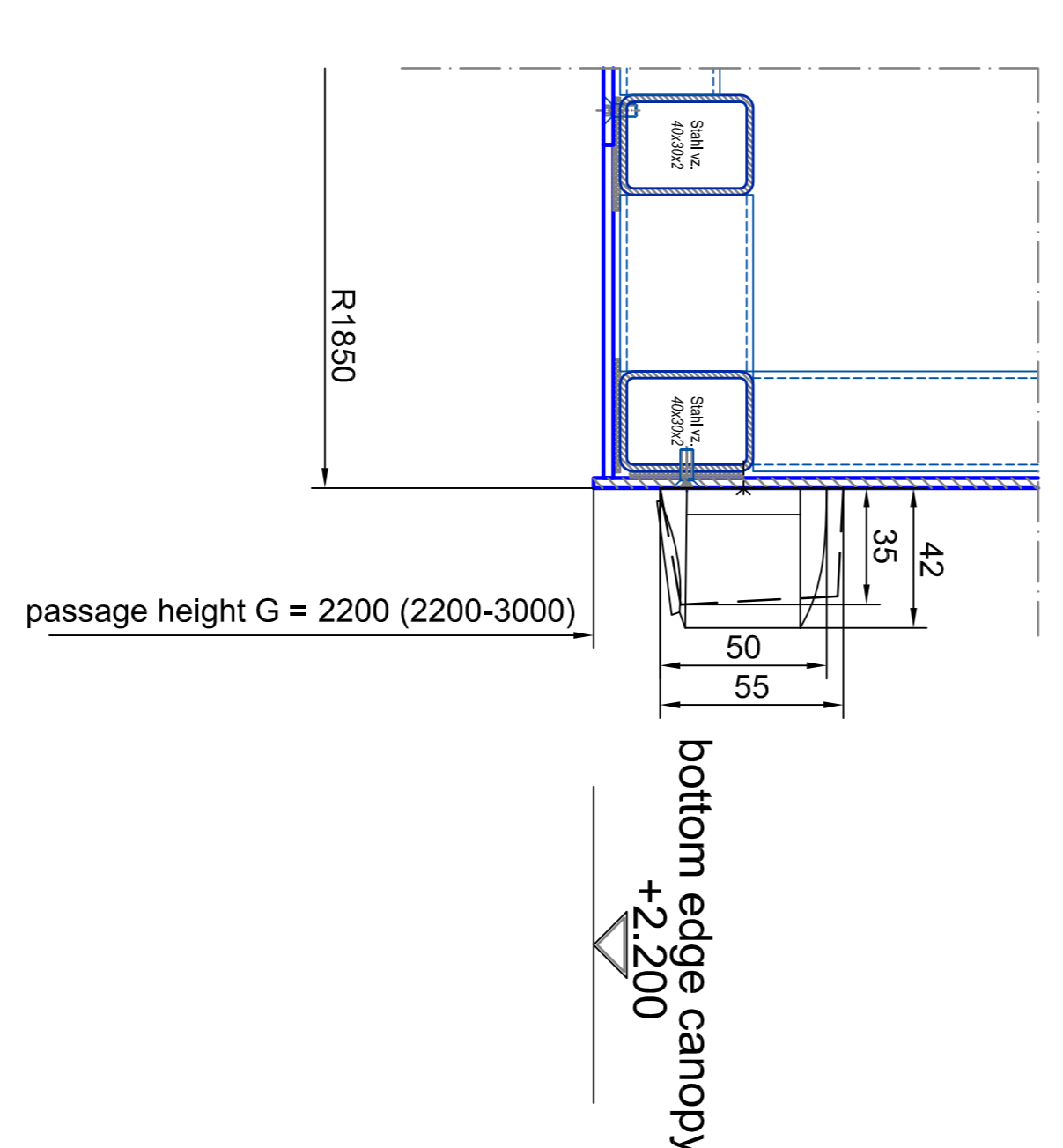
bottom edge canopy
+2.200

bottom edge canopy
+2.200

vertical section -
passage area outside
A0 - M 1:2



vertical section -
passage area inside
A0 - M 1:2



FFL
±0.000 (±1)
-0.065 (±1)
SSL

Material	Quantity	Unit	Notes
tempered safety glass 10 mm	30x48	(10x 7981)	All glass panels components must be secured to concrete
laminated safety glass 10 mm			

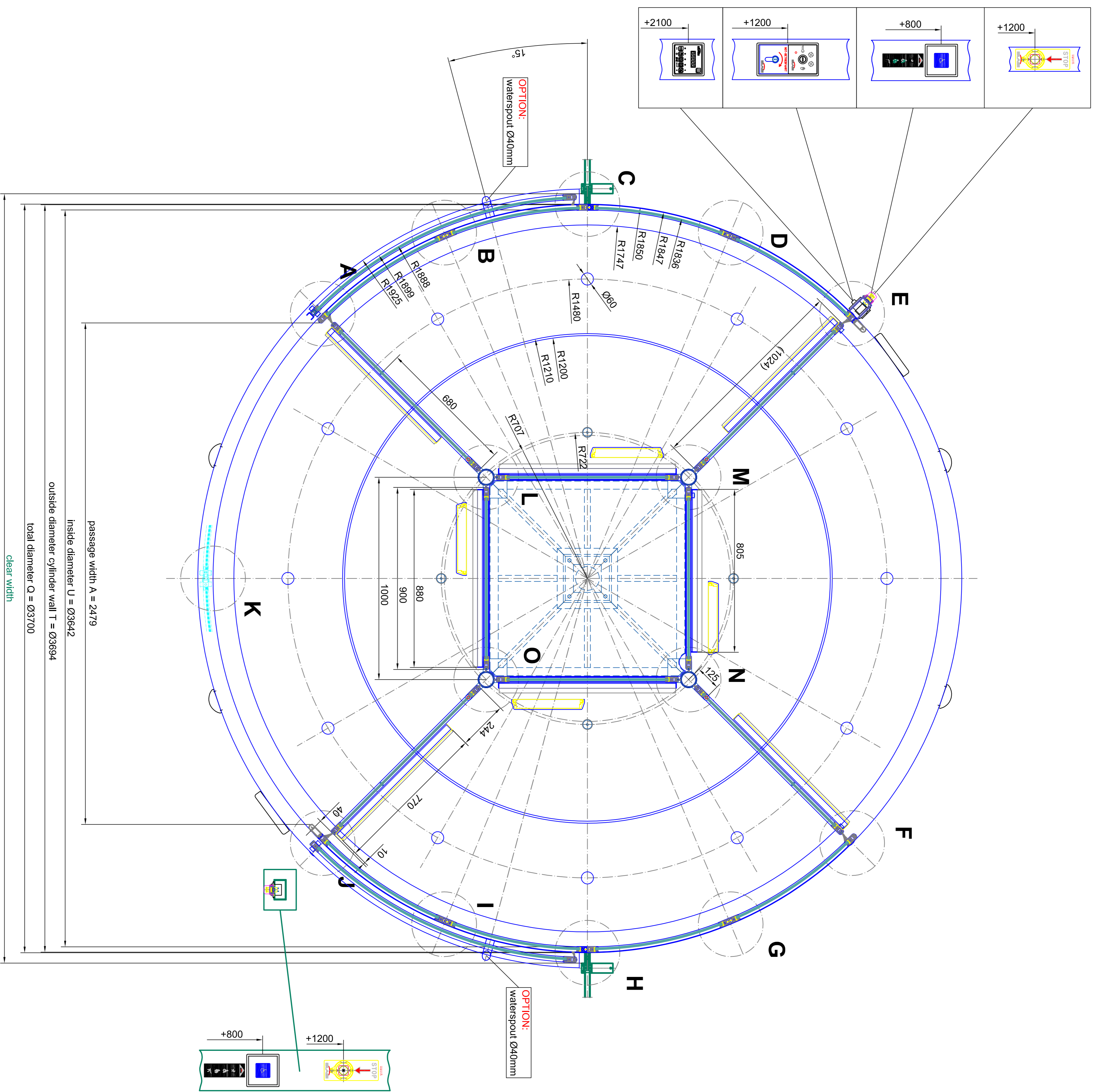
BLASI

B.L.A.S.I. G. & A. S. r.l.
Automatic Door
Call center: Street 5-15
D - 77177 Z. Weilheim

14. ANNO 2017 - 2018
F.R. +39022 / 888 - 288
E-mail: info@blasio.it
www.blasio.it

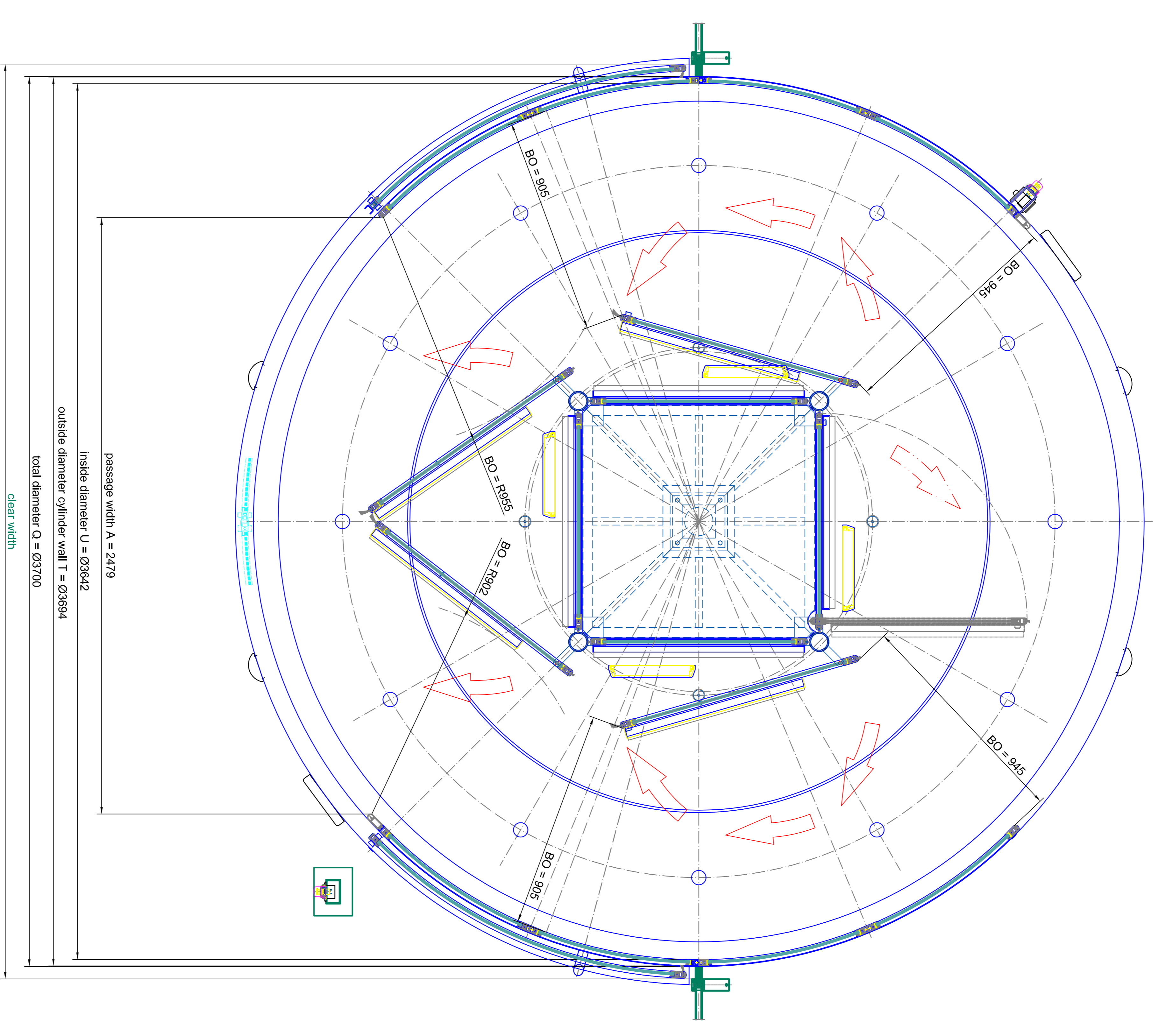
K41-VV/MMA-37 Break Out
SAMPLE DRAWING ONLY

Scale: 01
Date: 04



inside

outside



horizontal section - door in standard position

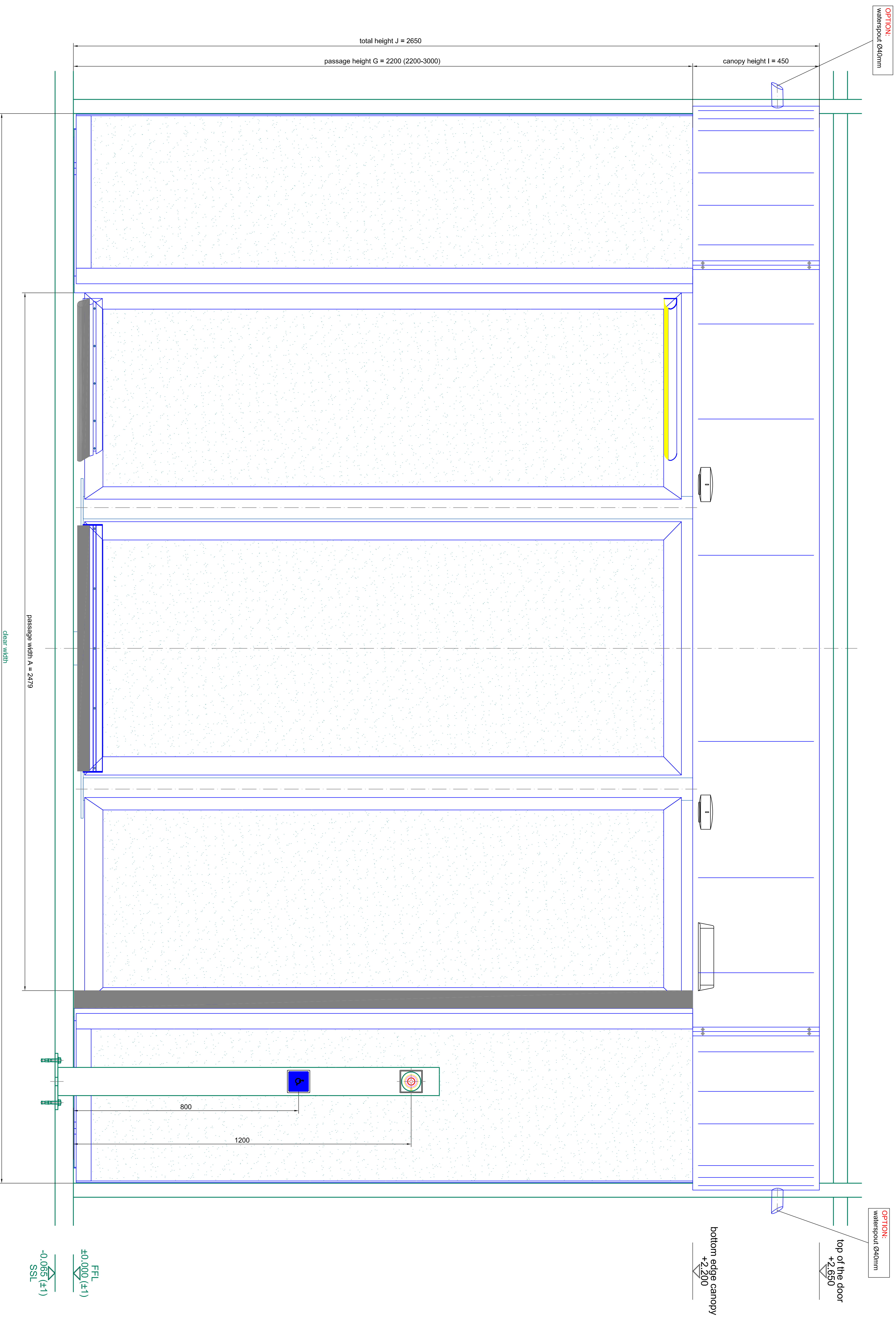
horizontal section - door in break out position

Reference	AS visible options	AS special material components must be selected to comply
Material	304 s316 (EN 1993-1)	tempered safety glass 10 mm
Finish	powder	tempered safety glass 10 mm

Model	AS-110	Configuration No.	
Series	K41-V/MMA-37	Customer No.	
Product	SAMPLE DRAWING ONLY	Order No.	

BLASI
 B.L.S. S.p.A. s.r.l.
 Aut. Min. Sc. n. 100/2011
 Call. Cent. - Show. S. 15
 D. 77772 Mailbox
 Tel. +390322 / 883 - 289
 Fax. +390322 / 883 - 289
 E-mail: info@blasio.com
 www.blasi.com - info

front elevation - outside



Material	Notes
tempered safety glass 10 mm	30x45 (EN 1991)
tempered safety glass 10 mm	tempered components must be secured to concrete

Scale	Project	Client
Scale: 1:15	Project: K41-1/VV/MMA-37 Break Out	Client: SAMPLE DRAWING ONLY

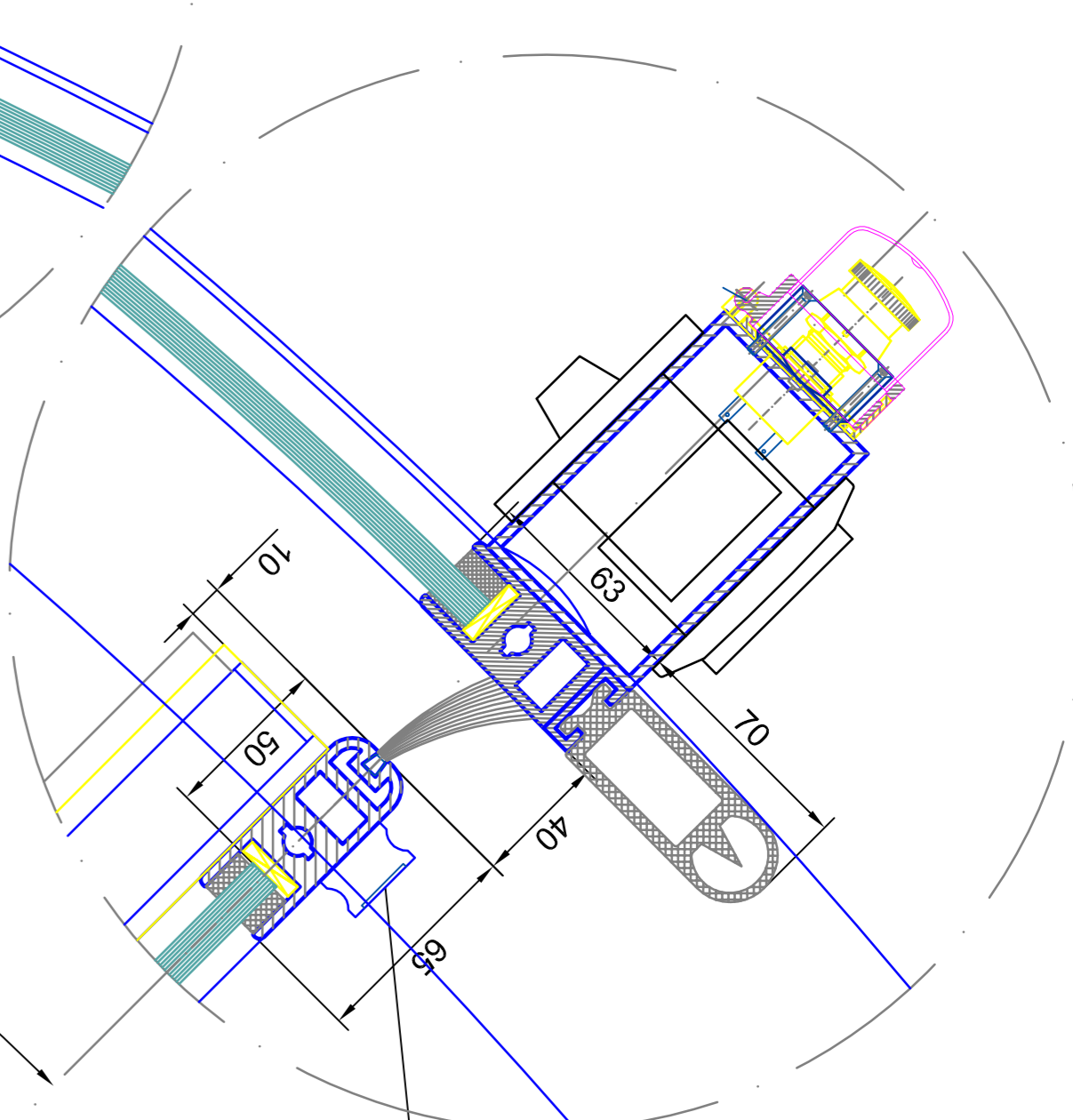
BLASI
 B.L.A.S.I. & S.p.A.
 Autoclaved Concrete
 Cellular Stone 5-15
 D - 77172 Molfino

Tel. +3902 7 801 291
 Fax +39022 888 288
 E-mail: info@blasi.it
 www.blasi.info

Sheet: 03
 from: 04

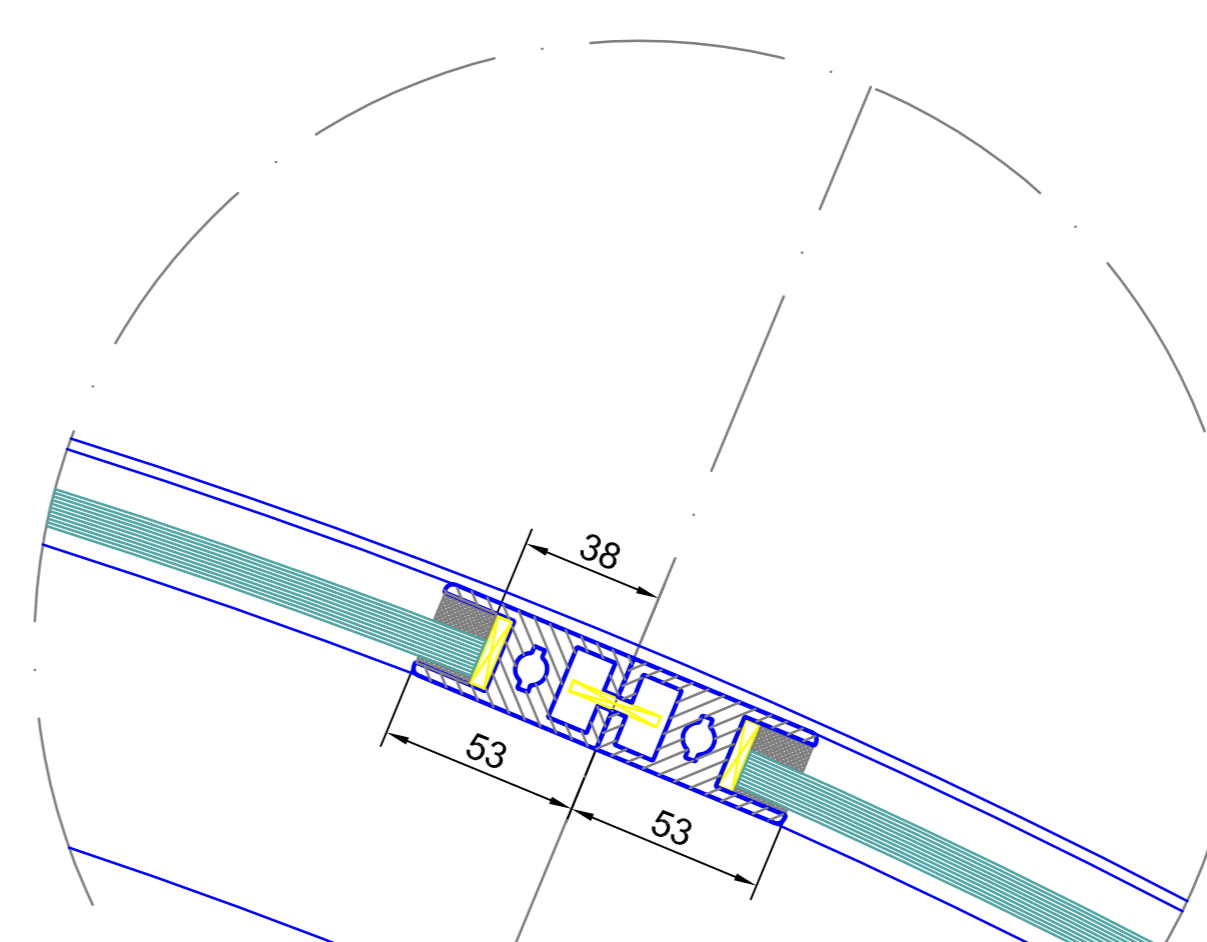
The drawings in this set of the copyright shall be the authors or its successors in a full right. Technical modifications are made without notice.

detail E

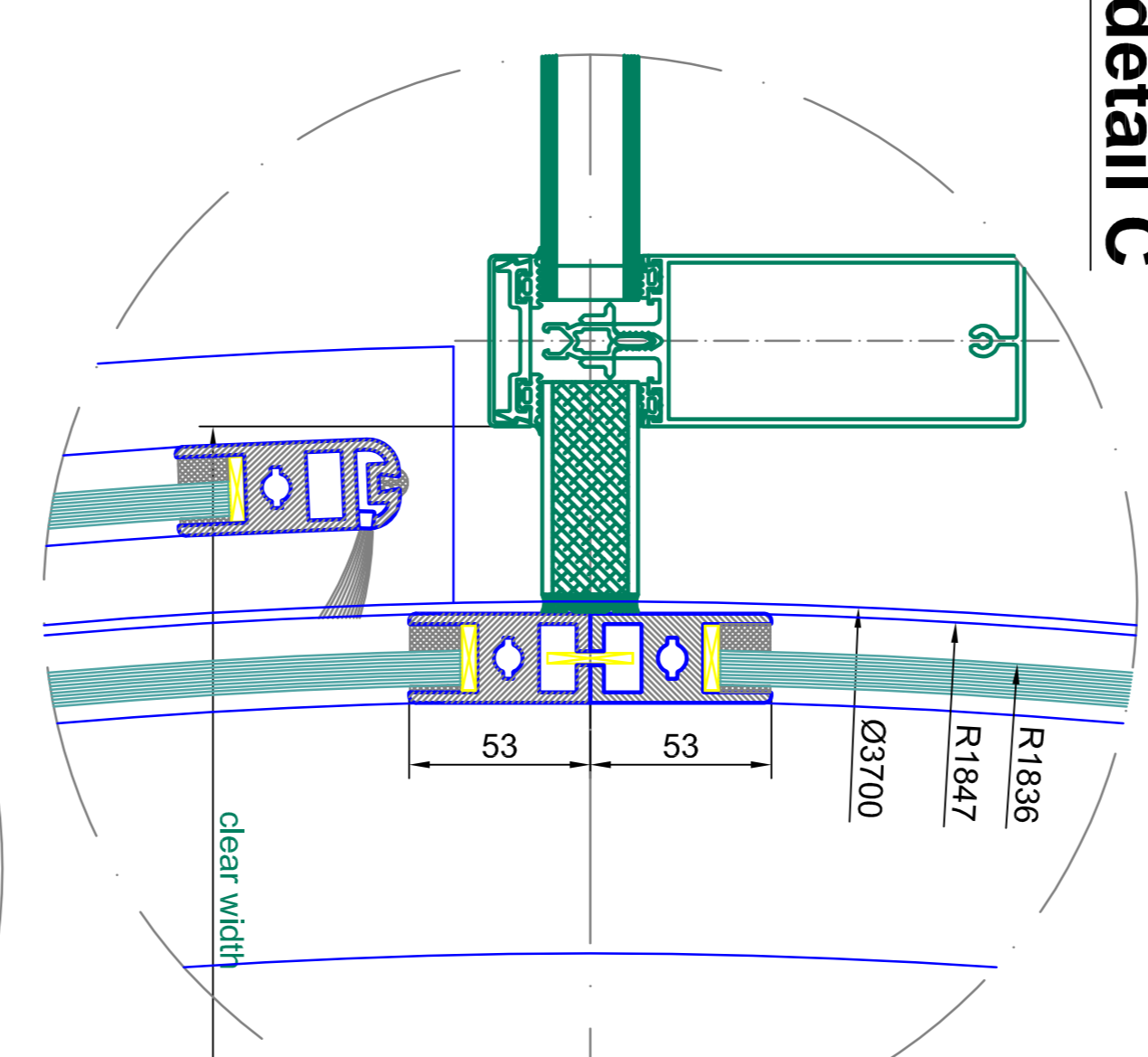


bar lock
locked from inside
profile-semicylinder 27mm
locking into the canopy

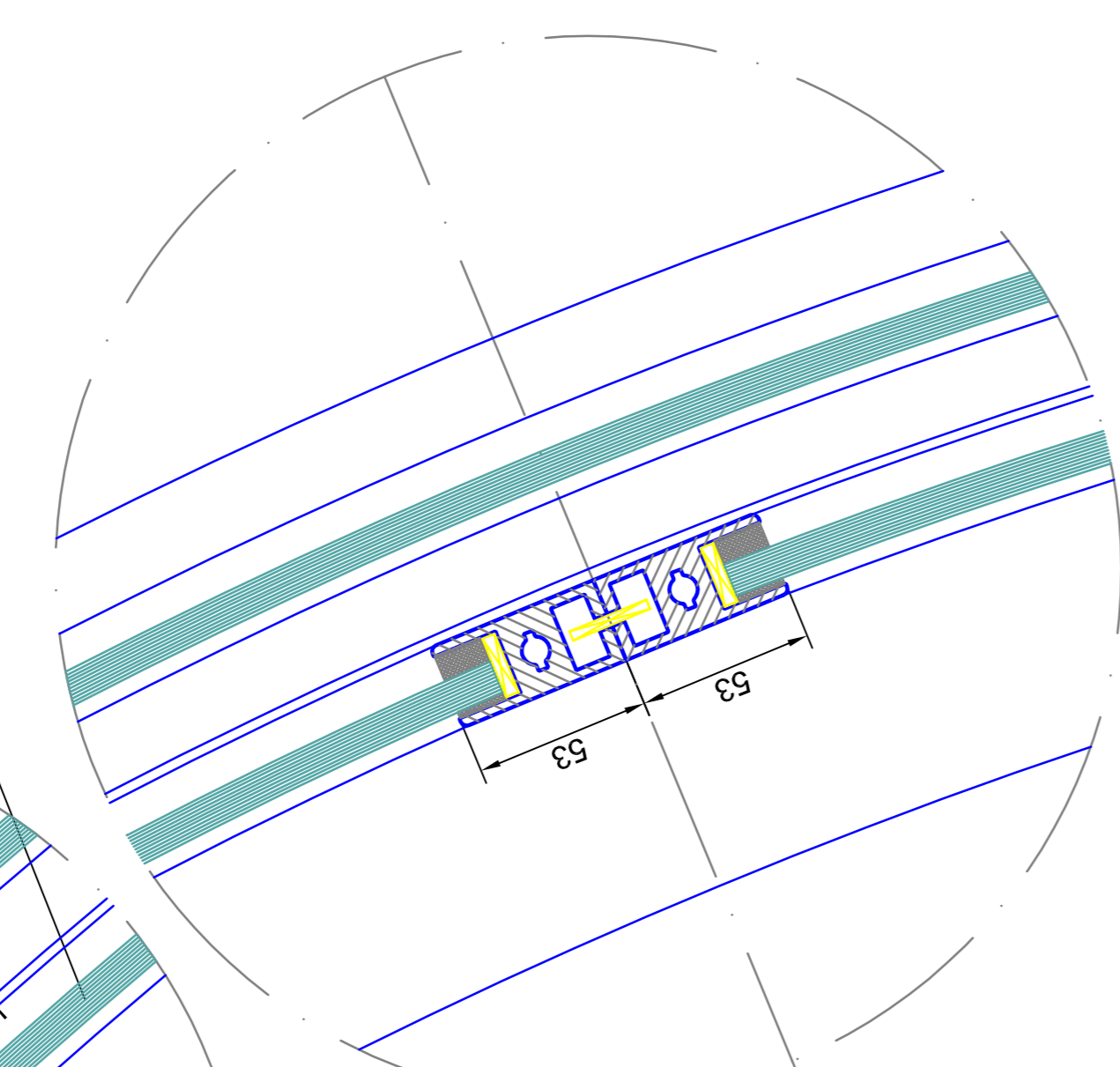
detail D



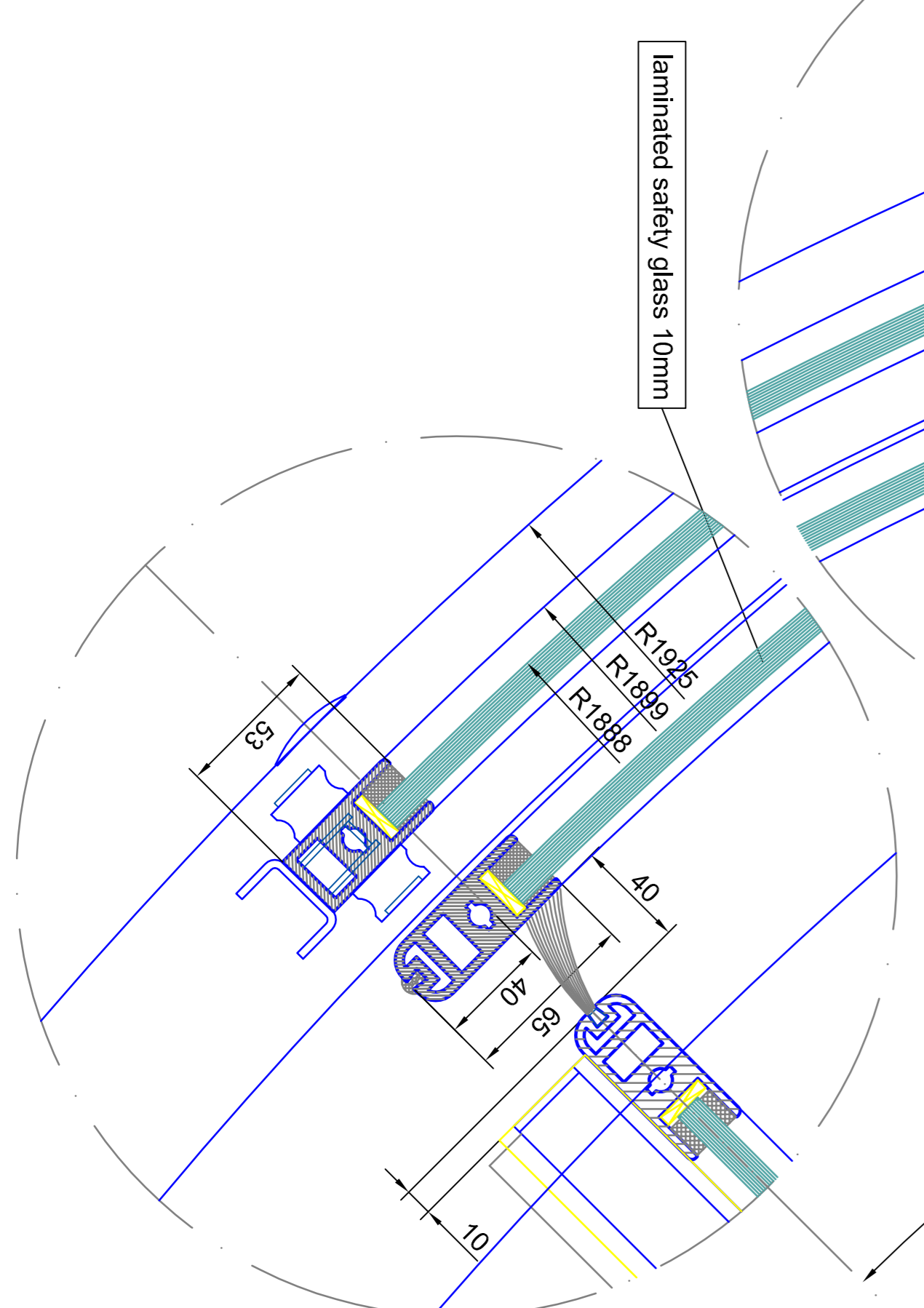
detail C



detail B

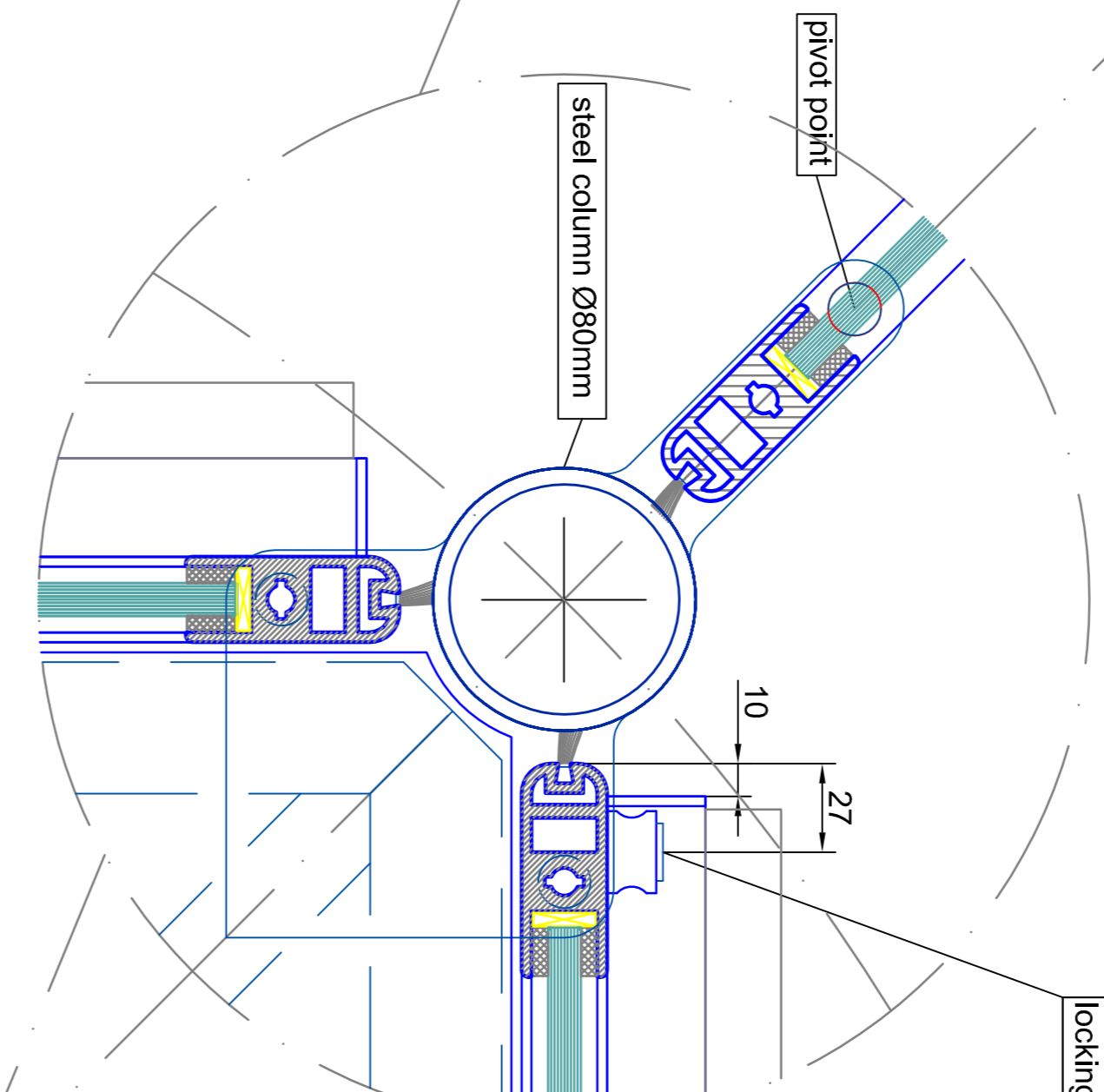


detail A



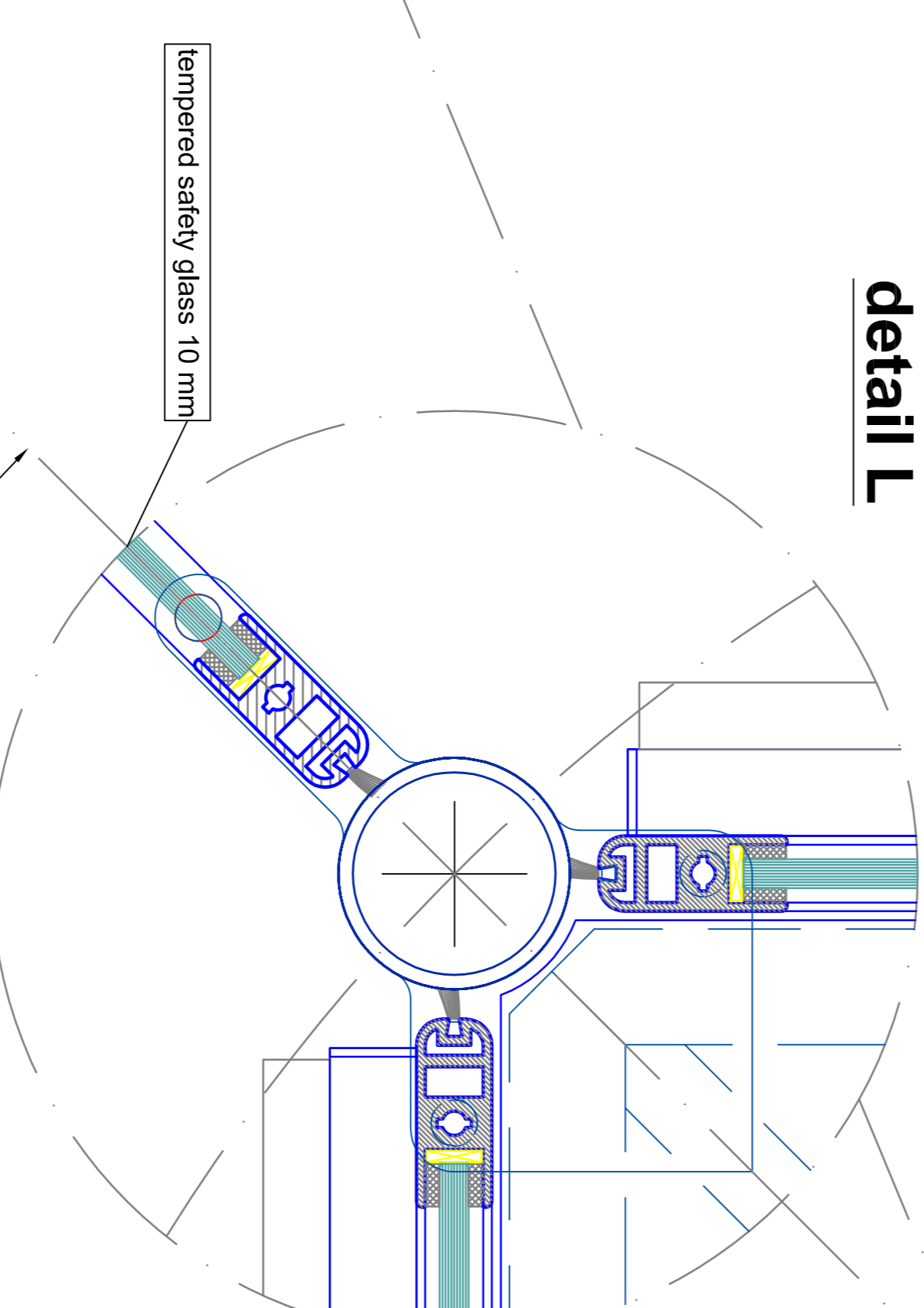
inside

detail M

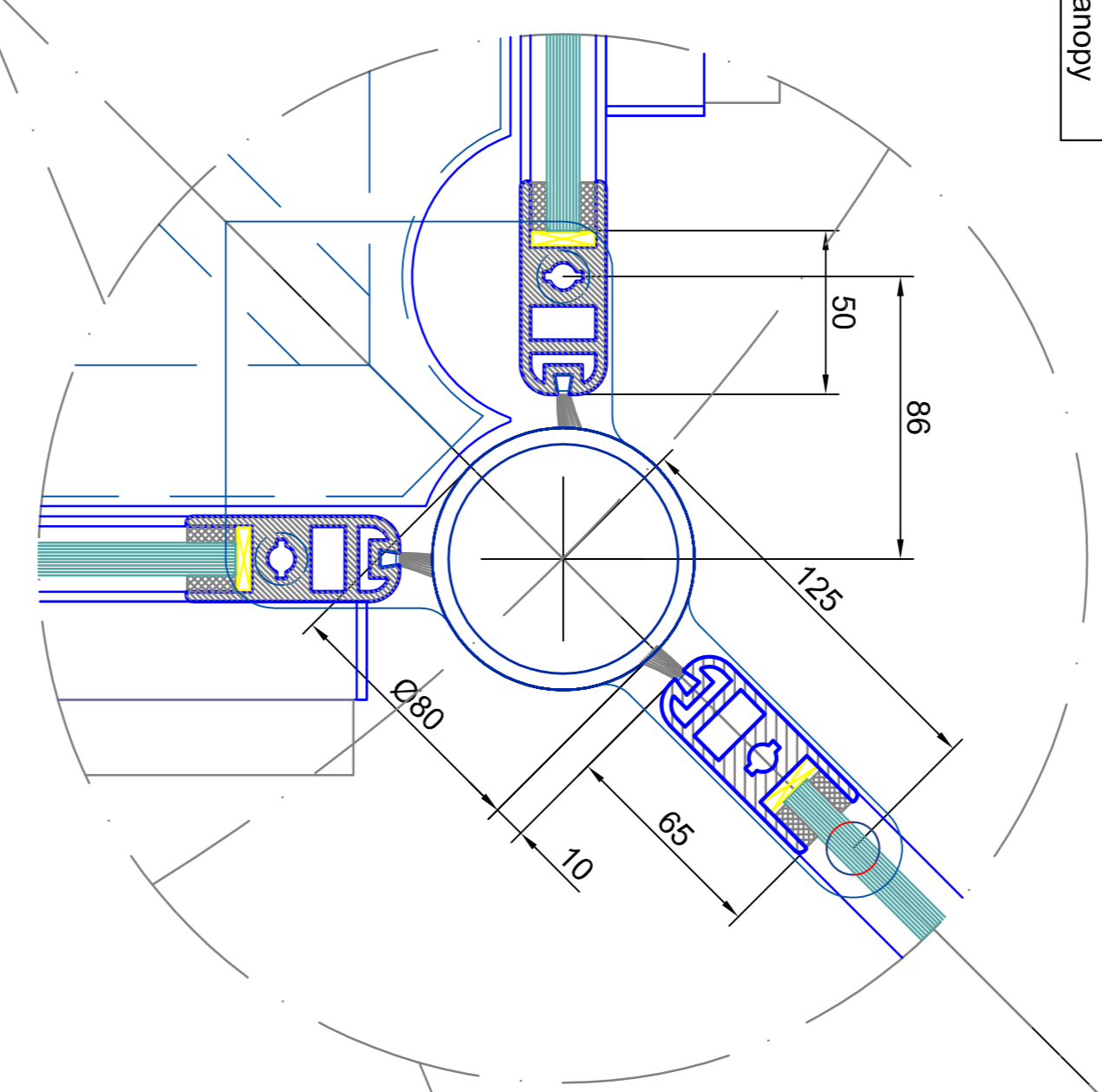


bar lock
locked from inside
profile-semicylinder 26mm
locking into the canopy

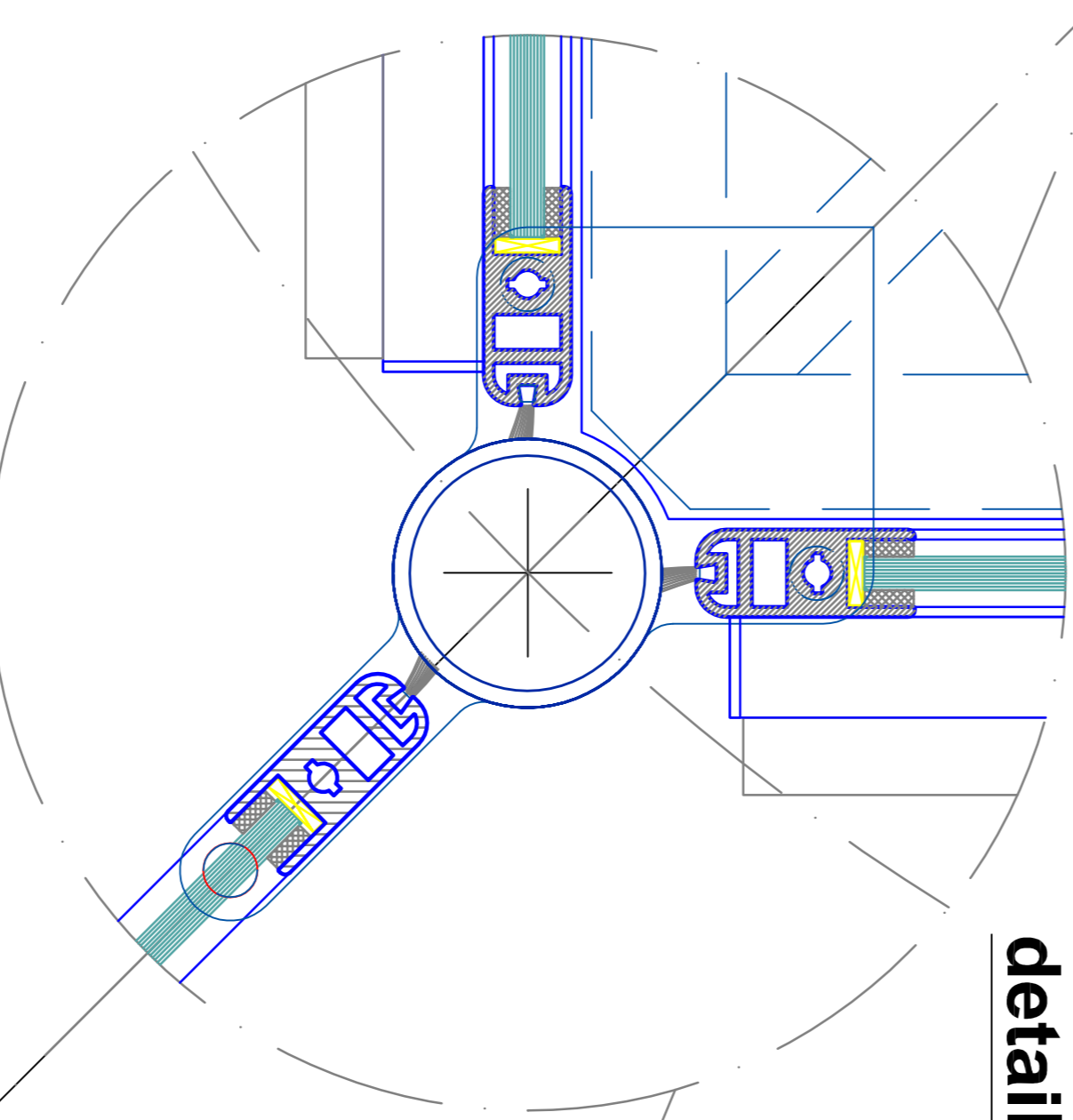
detail L



detail N

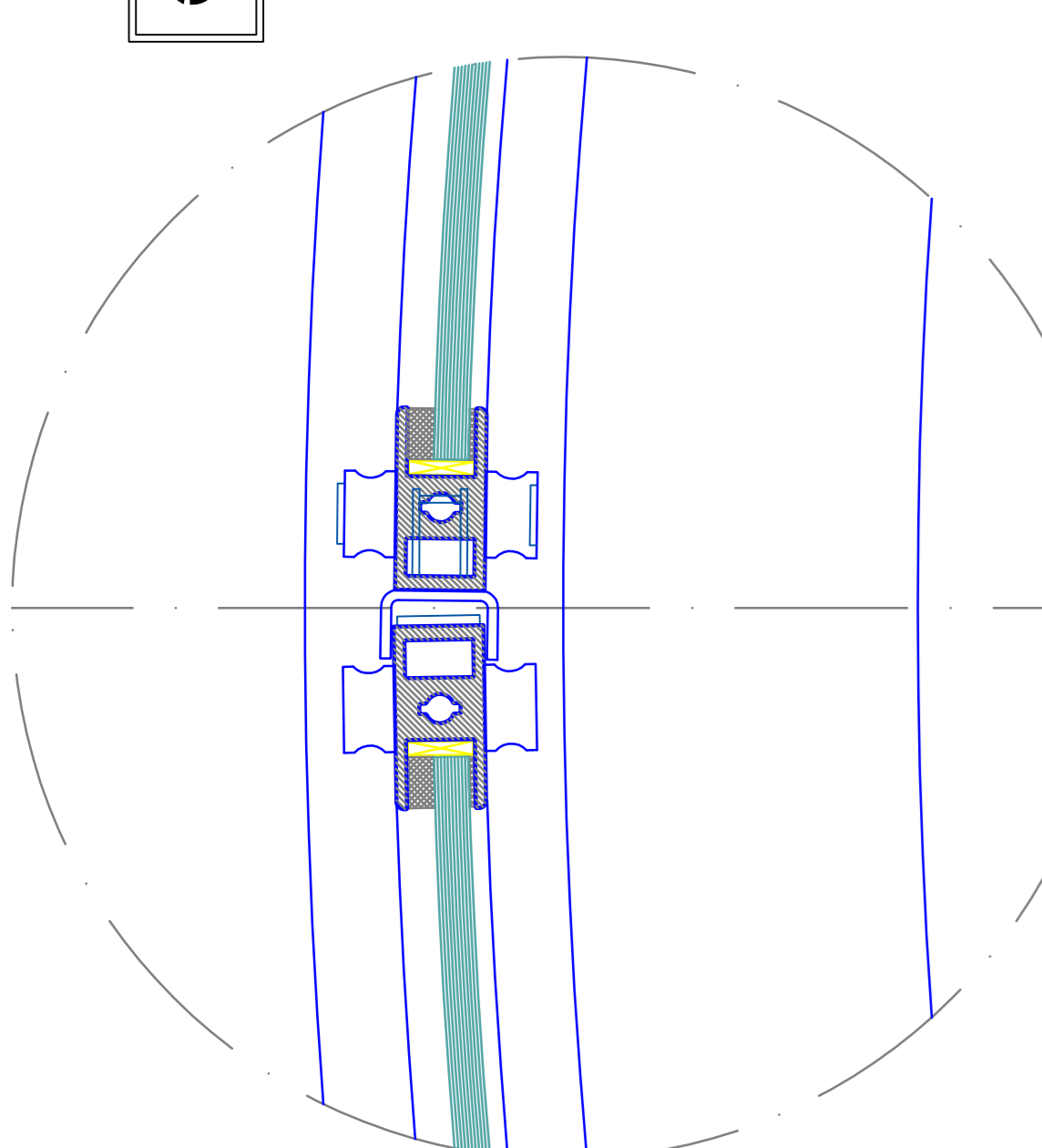


detail O

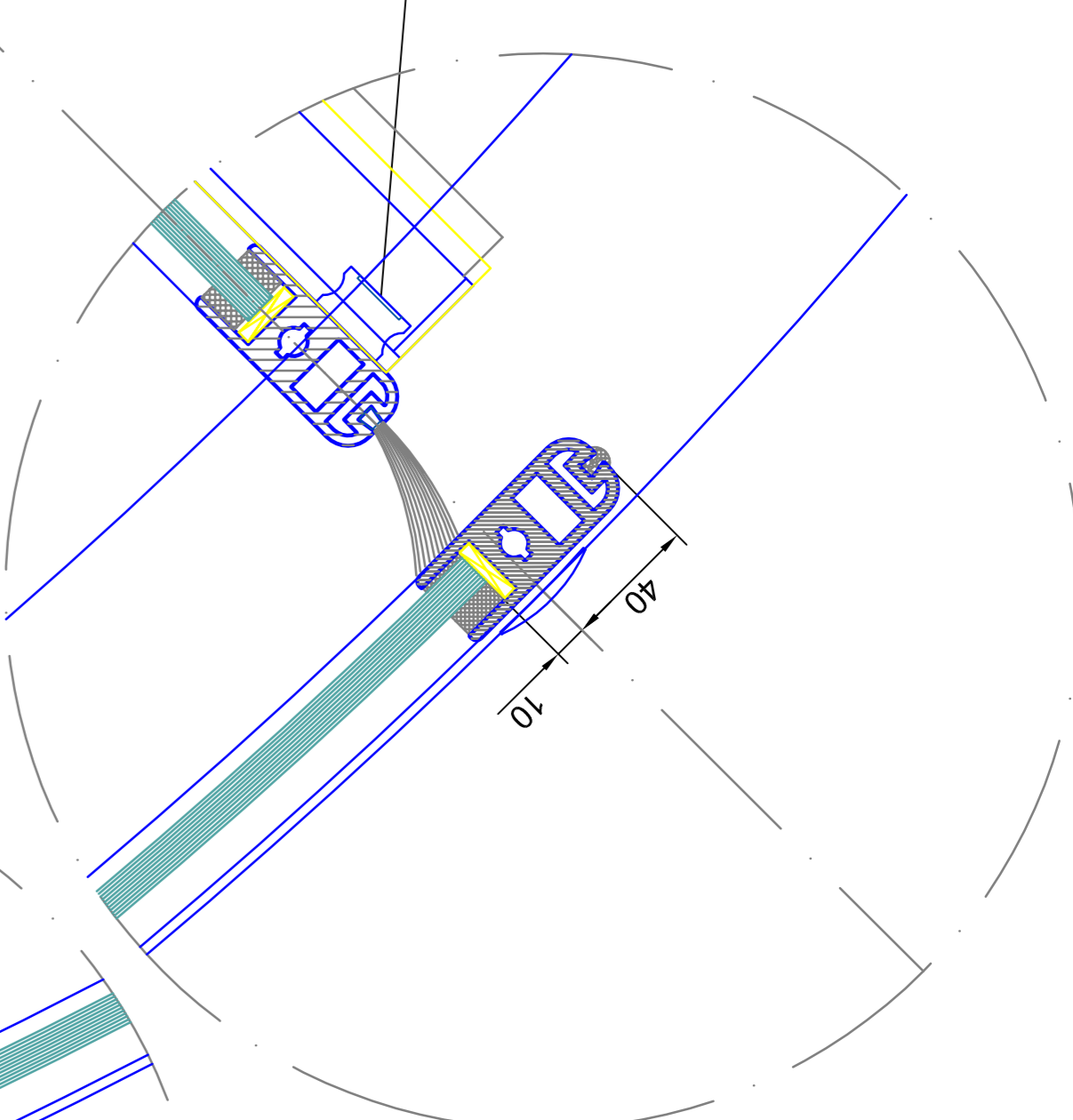


bar lock
locked from inside
profile-semicylinder 26mm
locking into the canopy

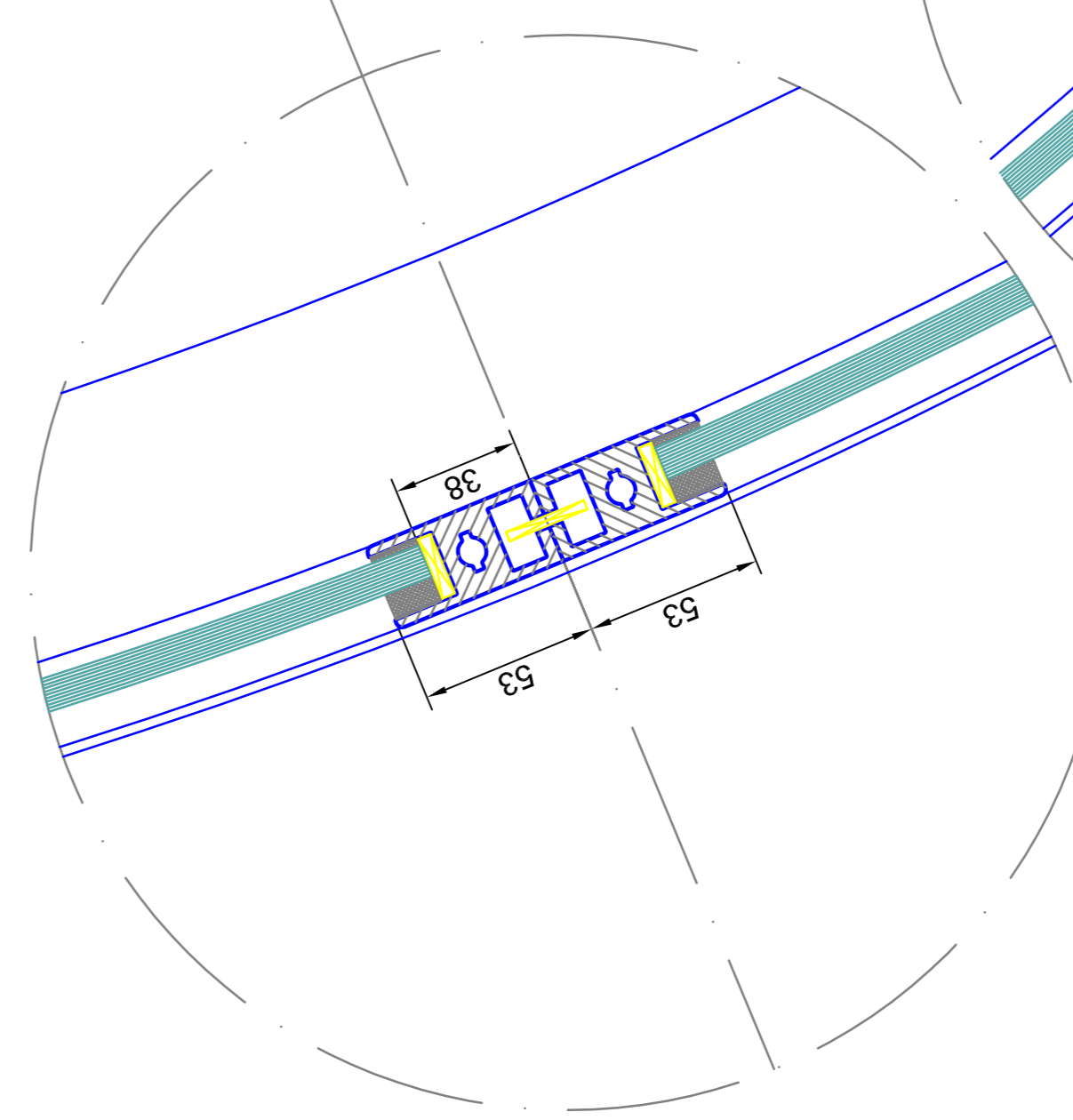
detail K



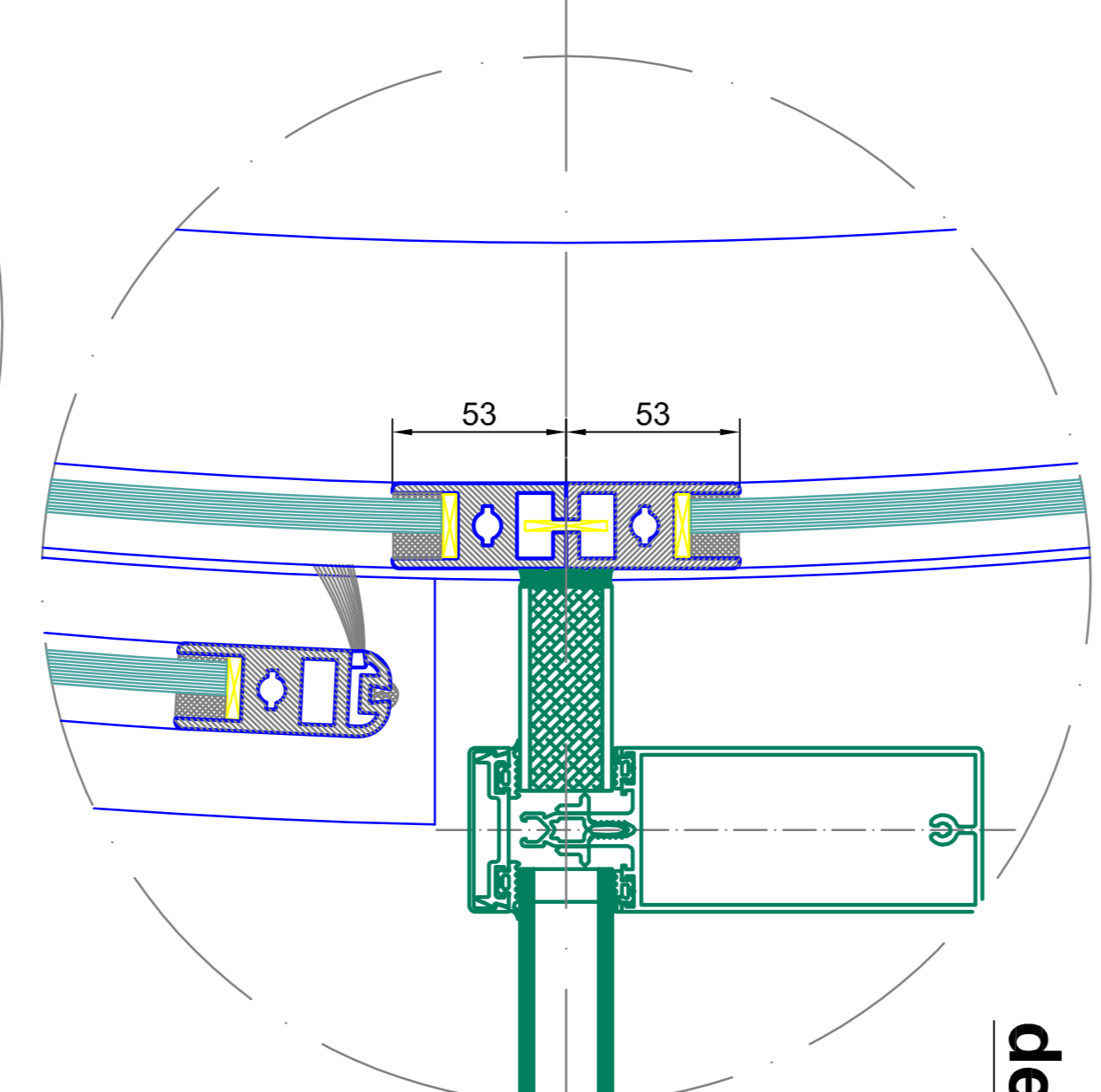
detail F



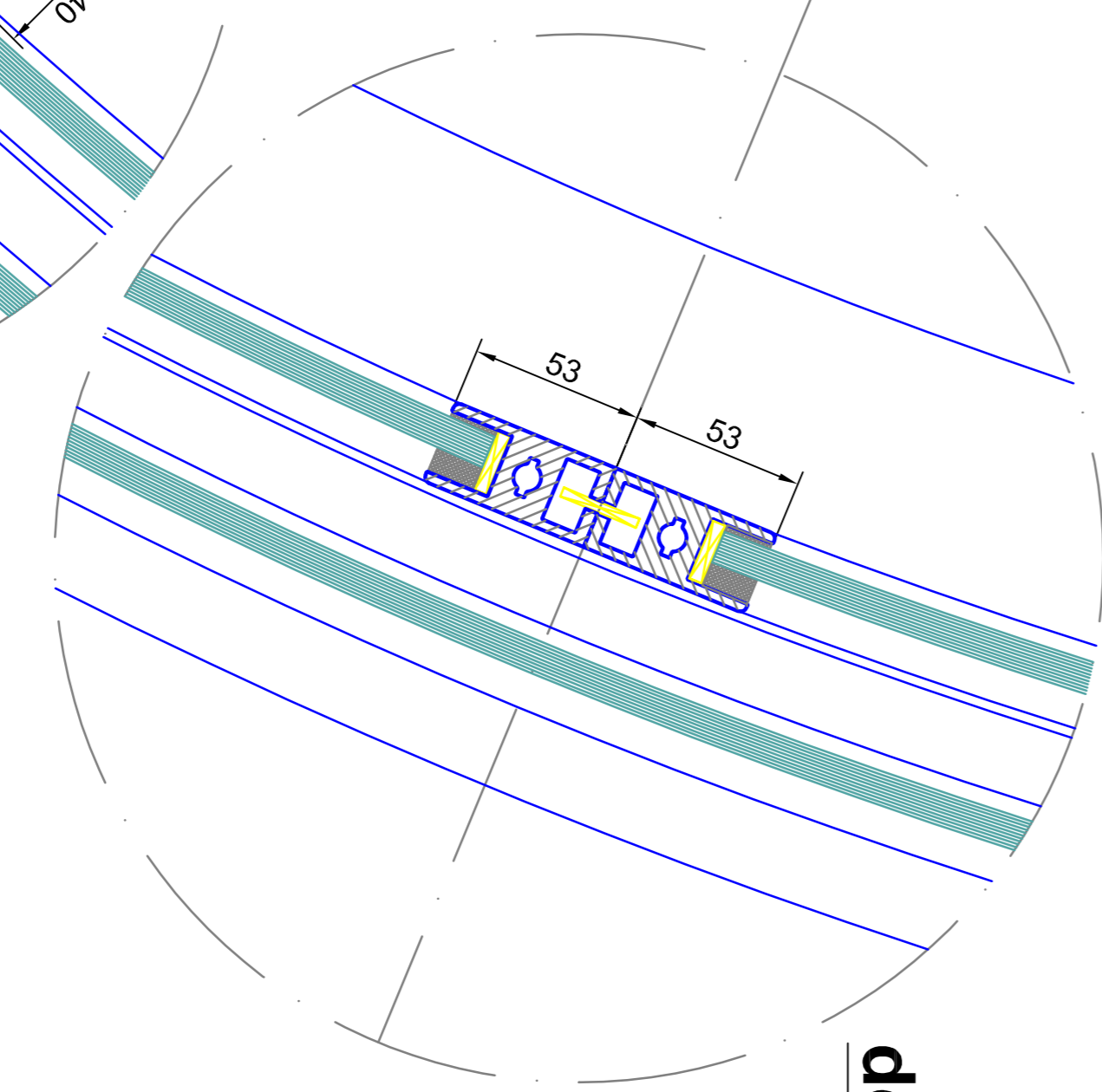
detail G



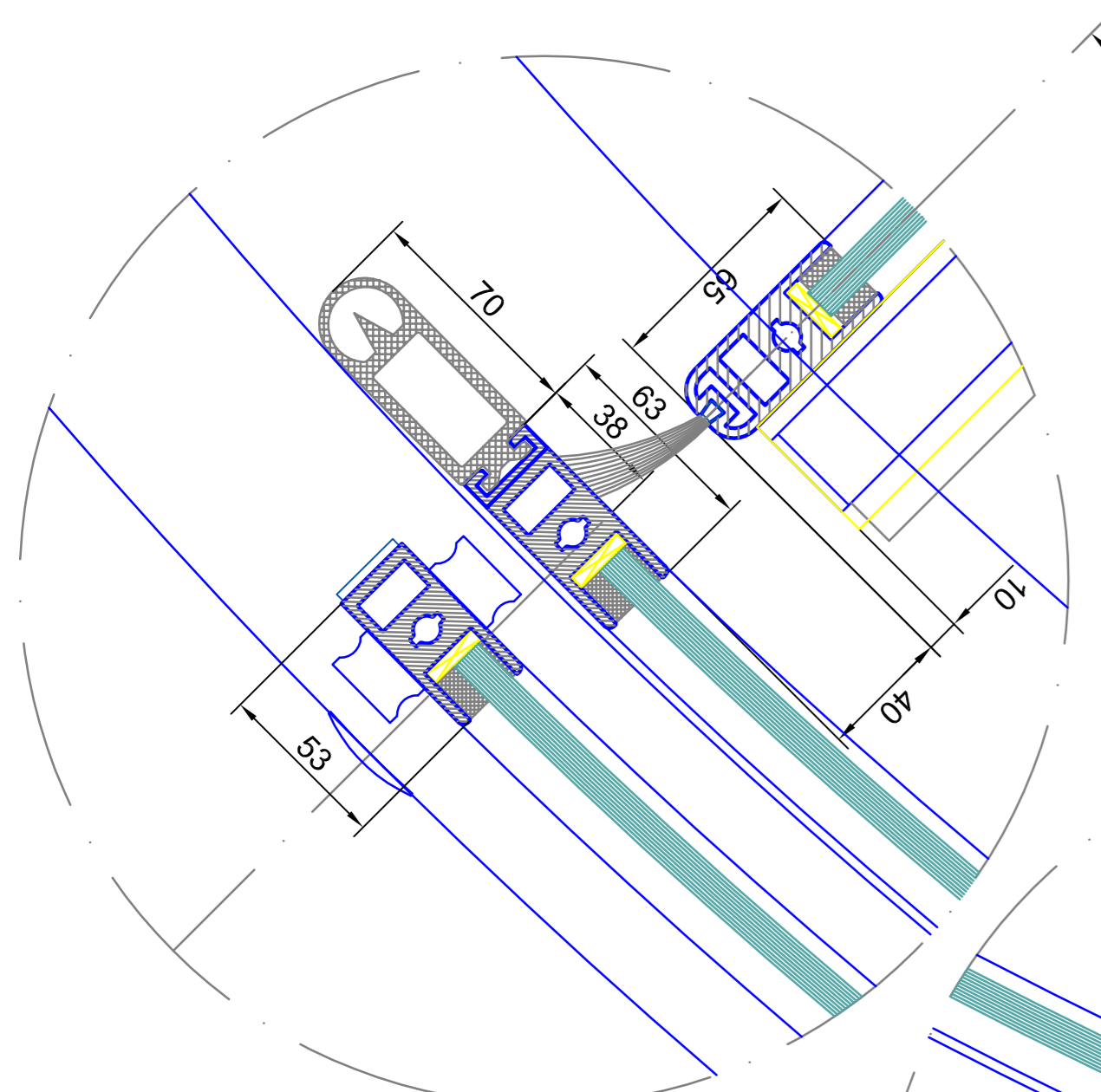
detail H



detail I



detail J



Material	Alu. visible frame	Color	Ø1N 7921
Material	tempered safety glass 10 mm	Color	Green
Material	laminated safety glass 10 mm	Color	Green

BLASI
 B.L.A.S.I. G. & A. S.
 Autostar, Duino S. V.
 C.so. S. V. 5-15
 D - 37030 Montebelluna (TV)
 Tel. +390422 888.789
 Fax. +390422 888.789
 E-mail: info@blasitv.it
 www.blasi.info

Project	R41-1/VINMA-37 Break Out
Client	SAMPLE DRAWING ONLY
Scale	1:1
Sheet	04
Drawn	04
Checked	04