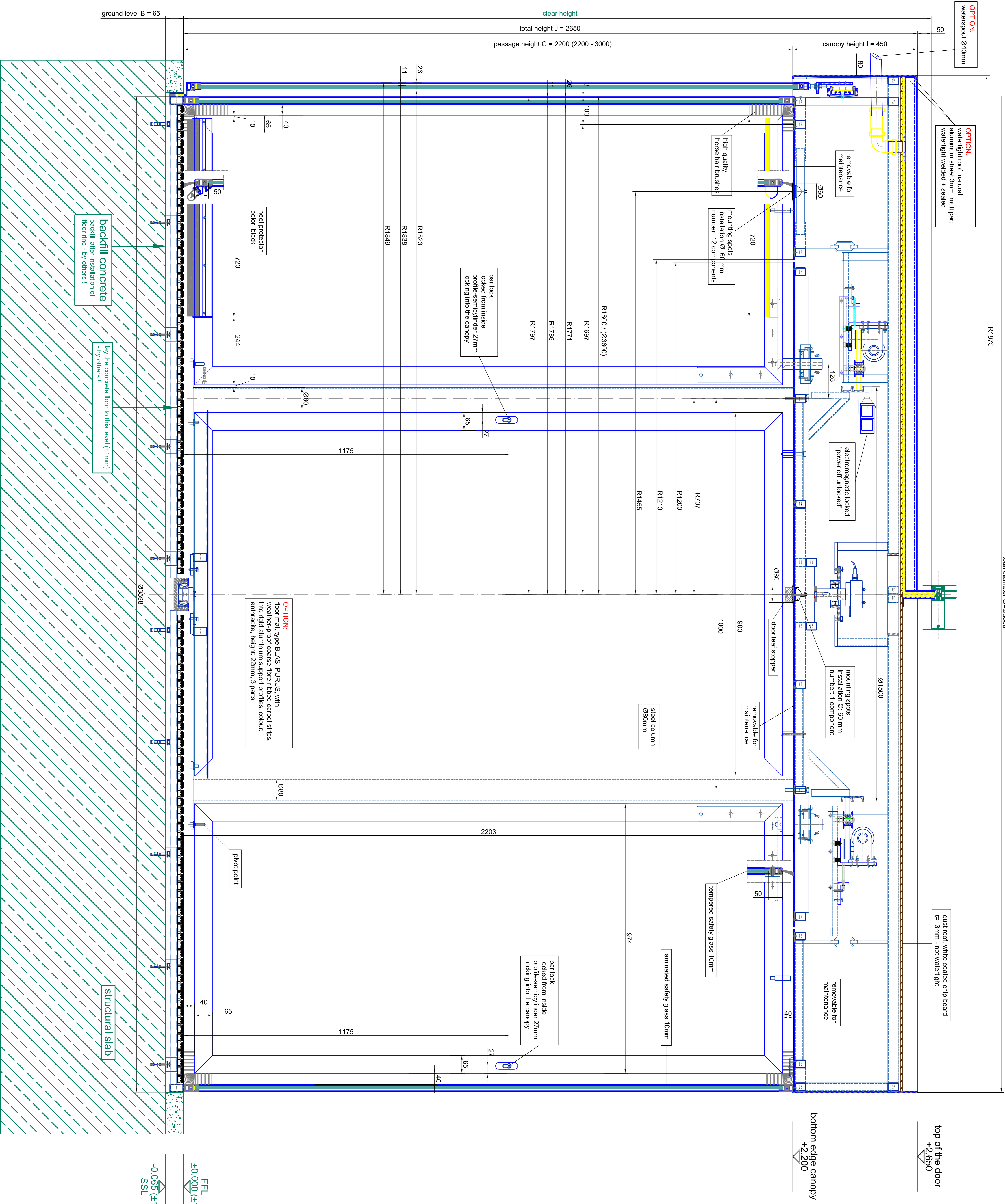


outside

vertical section

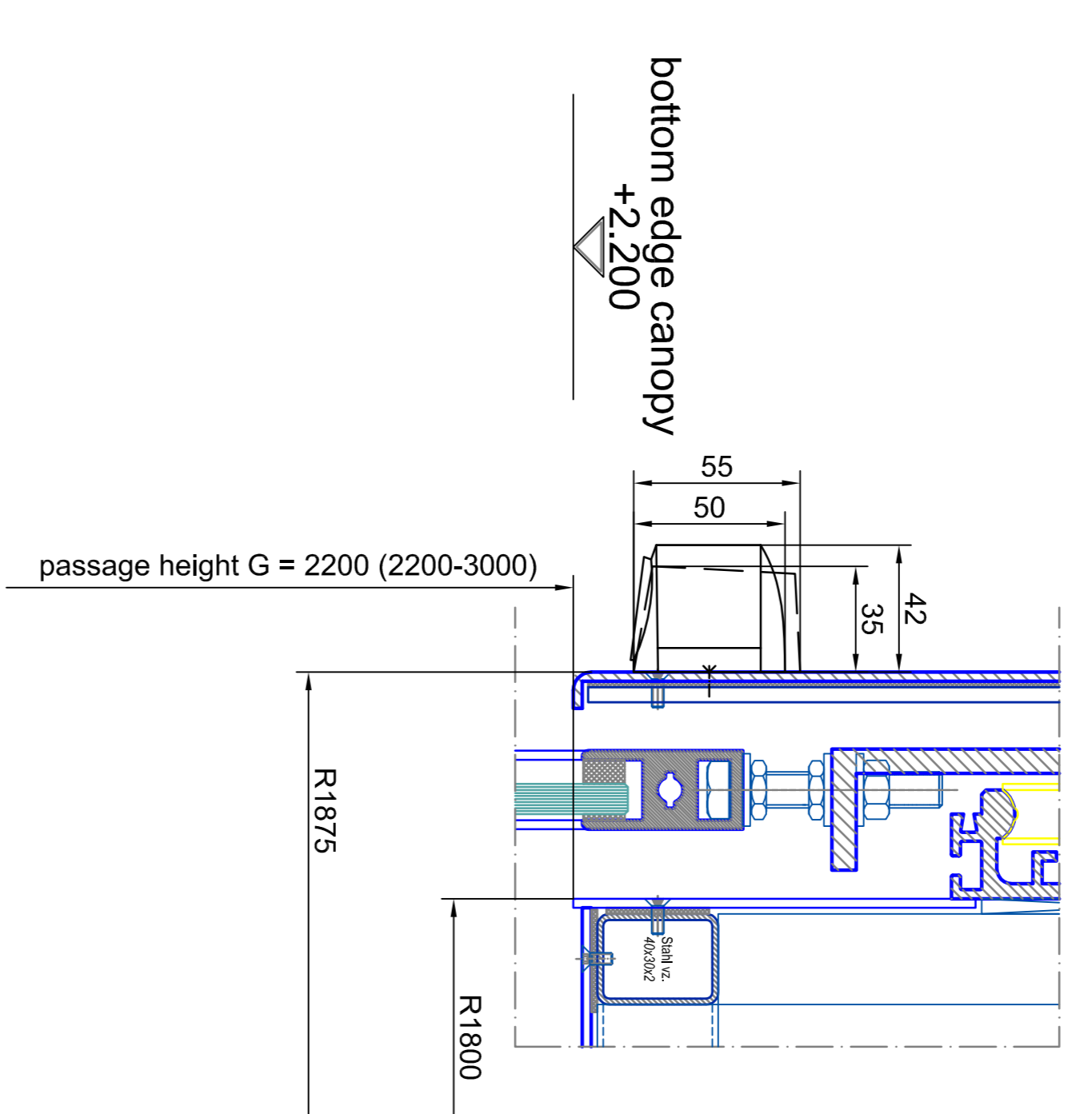
inside



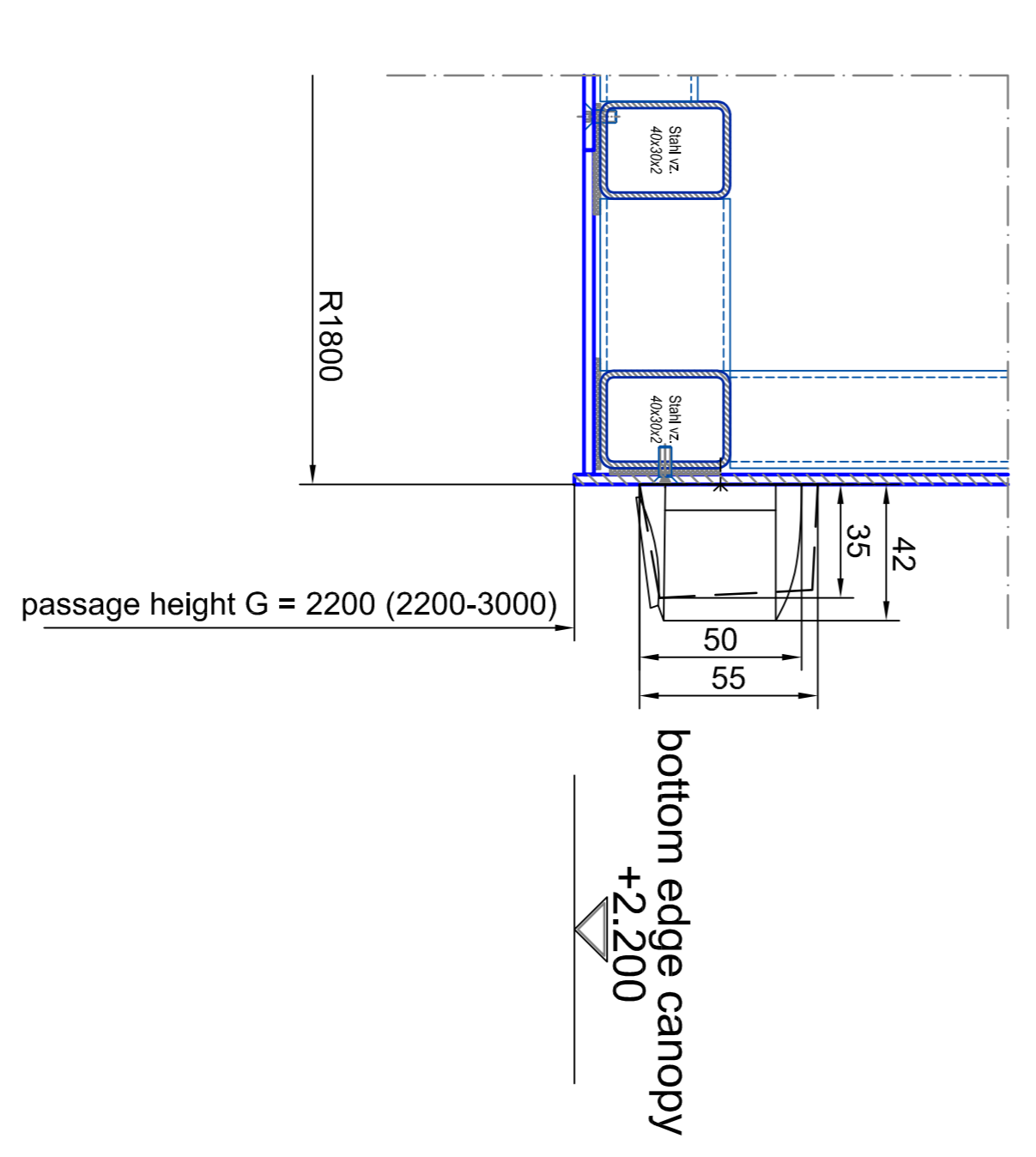
top of the door  
+2.650

bottom edge canopy  
+2.200

vertical section -  
passage area outside  
A0 - M 1:2



vertical section -  
passage area inside  
A0 - M 1:2



Material	Specification	Notes
Frame	Aluminum profile 30x45 (EN 9971)	Aluminum profile components made to order by supplier
Panel	Tempered safety glass 10 mm	Standard safety glass 10 mm
Weatherstripping	High quality horse hair brushes	
Locking	Electromagnetic lock power off unlocker	
Sealing	Waterproof aluminum sheet 3mm	
Accessories	Door leaf stopper, mounting spots, steel column	

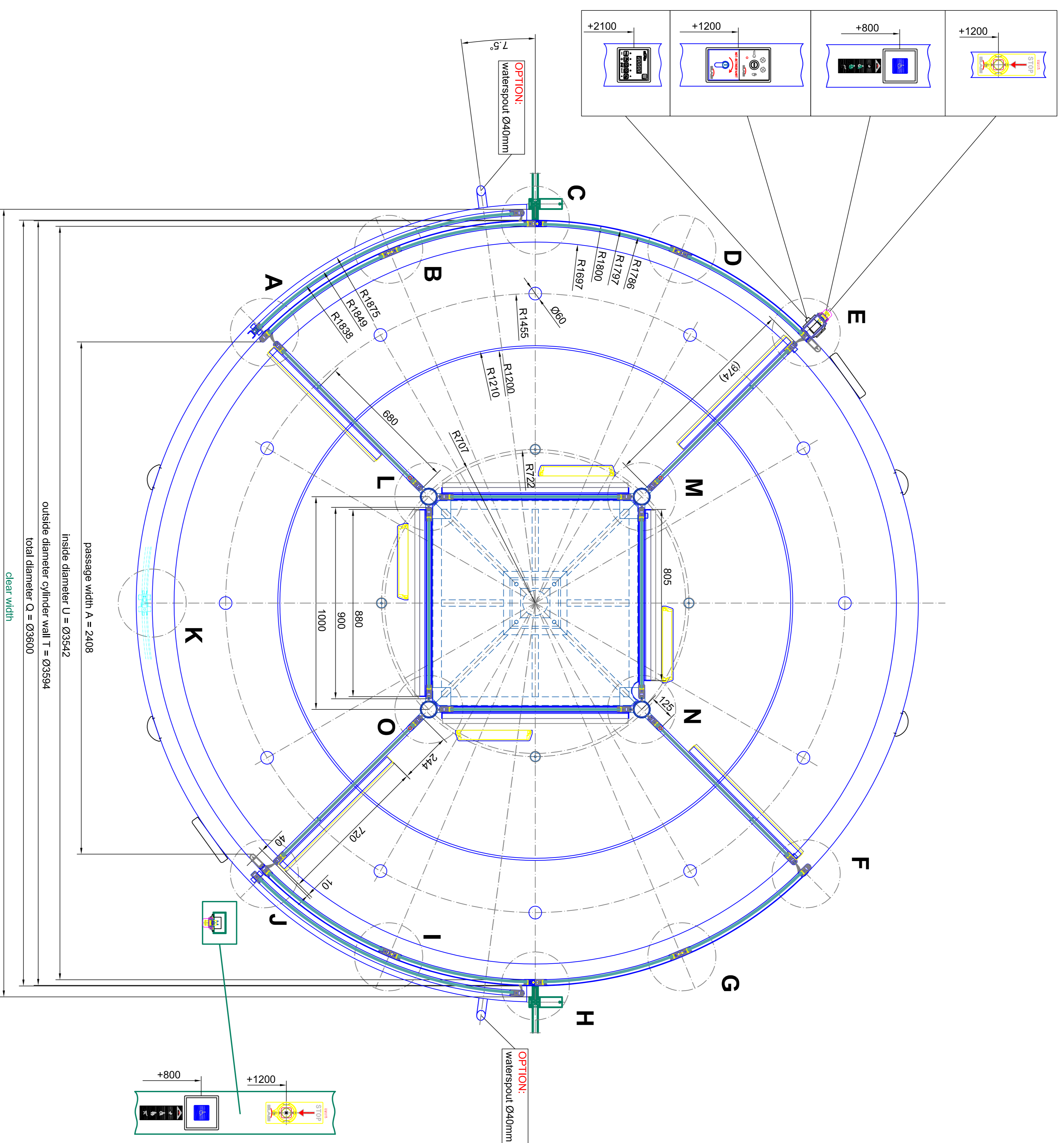
**BLASI**

B.L.S. S.p.A. G. & A. S.p.A.  
Automatic Door  
Call Center - Steel 5 - 15  
D - 77172 Marling

BLASI  
K41-VV/MMA-36 Break Out  
SAMPLE DRAWING ONLY

Scale: 01

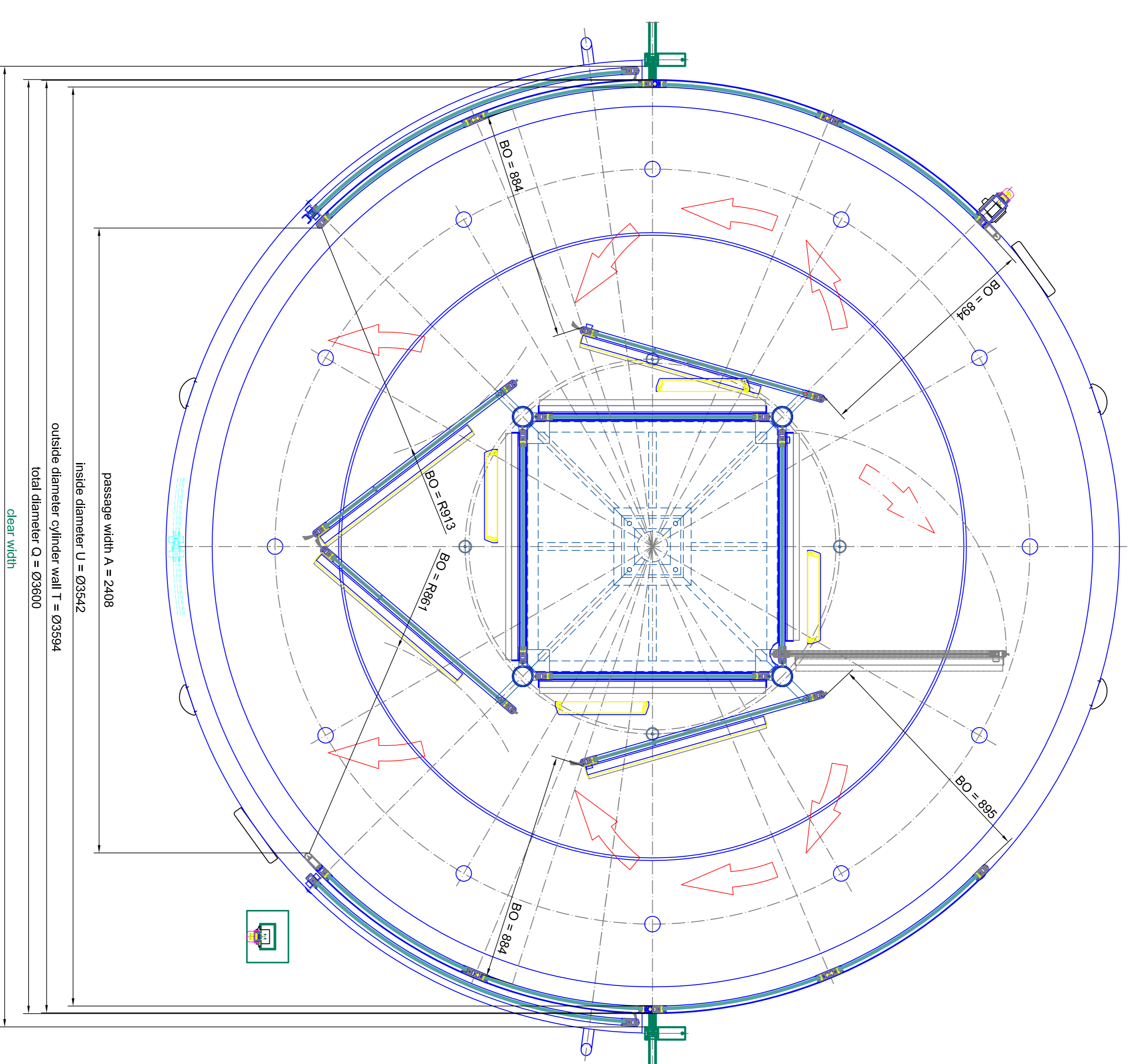
Sheet: 04



horizontal section - door in standard position

inside

outside



horizontal section - door in break out position

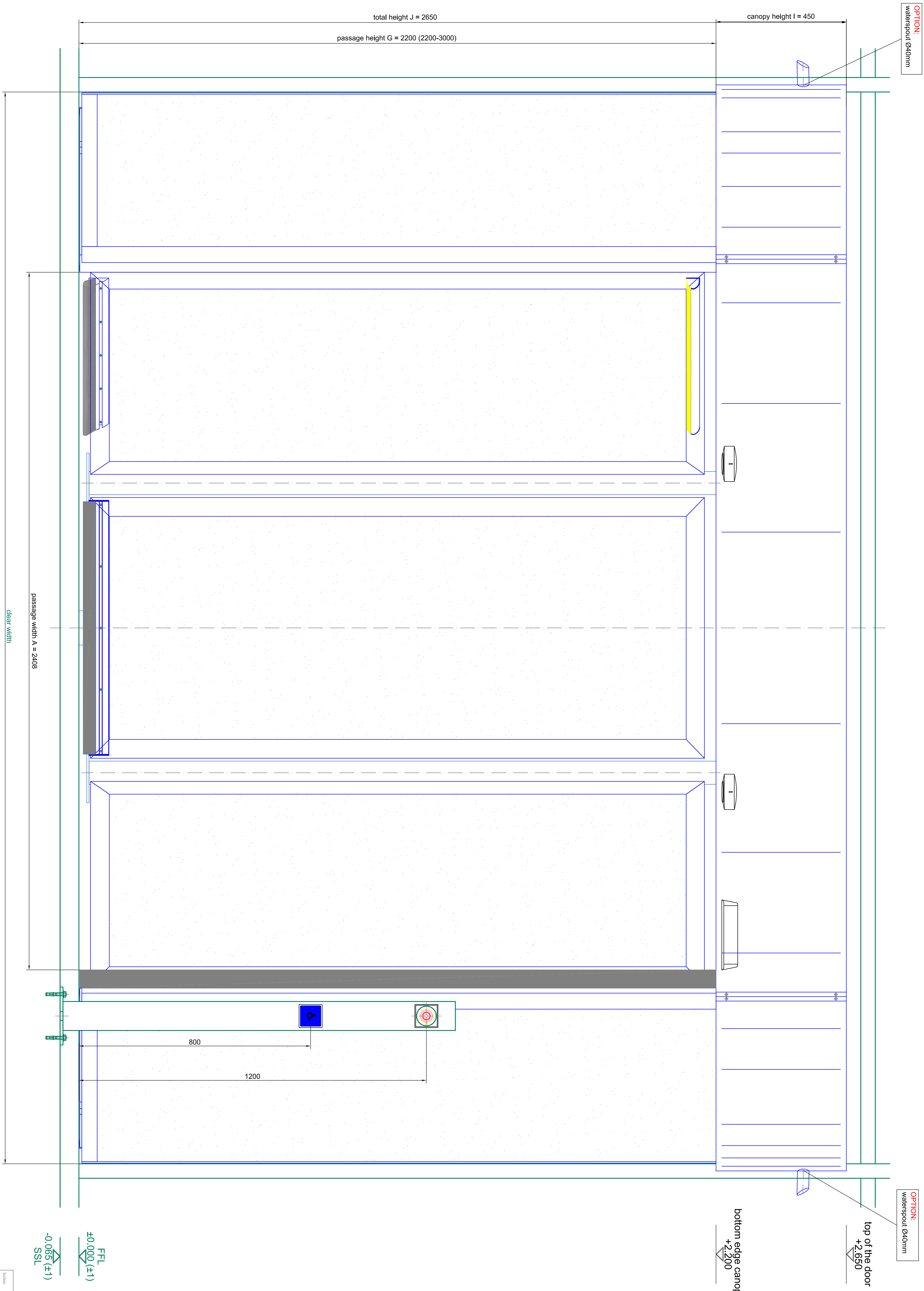
Material	Al visible frame	(EN 9971)	Al painted components made to standard EN 9971
Panel	tempered safety glass 10 mm	304 s316	tempered safety glass 10 mm
Seal			
Other			

**BLASI**  
 B.L.A.S.I. G. & A. S.p.A.  
 Autoclave Door 5 - 15  
 D - 77172 Malibon  
 Tel. +3902 / 881 - 291  
 Fax. +39022 / 881 - 299  
 E-mail: info@blasio.it  
 www.blasi.info

**K41-V/MMA-36 Break Out**  
 SAMPLE DRAWING ONLY

Scale: 1:10  
 Drawing No.: 02  
 Date: 04

# front elevation - outside



Material	Specification	Notes
Glazing	tempered safety glass 10 mm	tempered safety glass 10 mm
Frame	Alu. profile system (EN 9991)	Alu. profile system must be selected to comply with EN 9991
Hardware	hardware safety glass 10 mm	hardware safety glass 10 mm

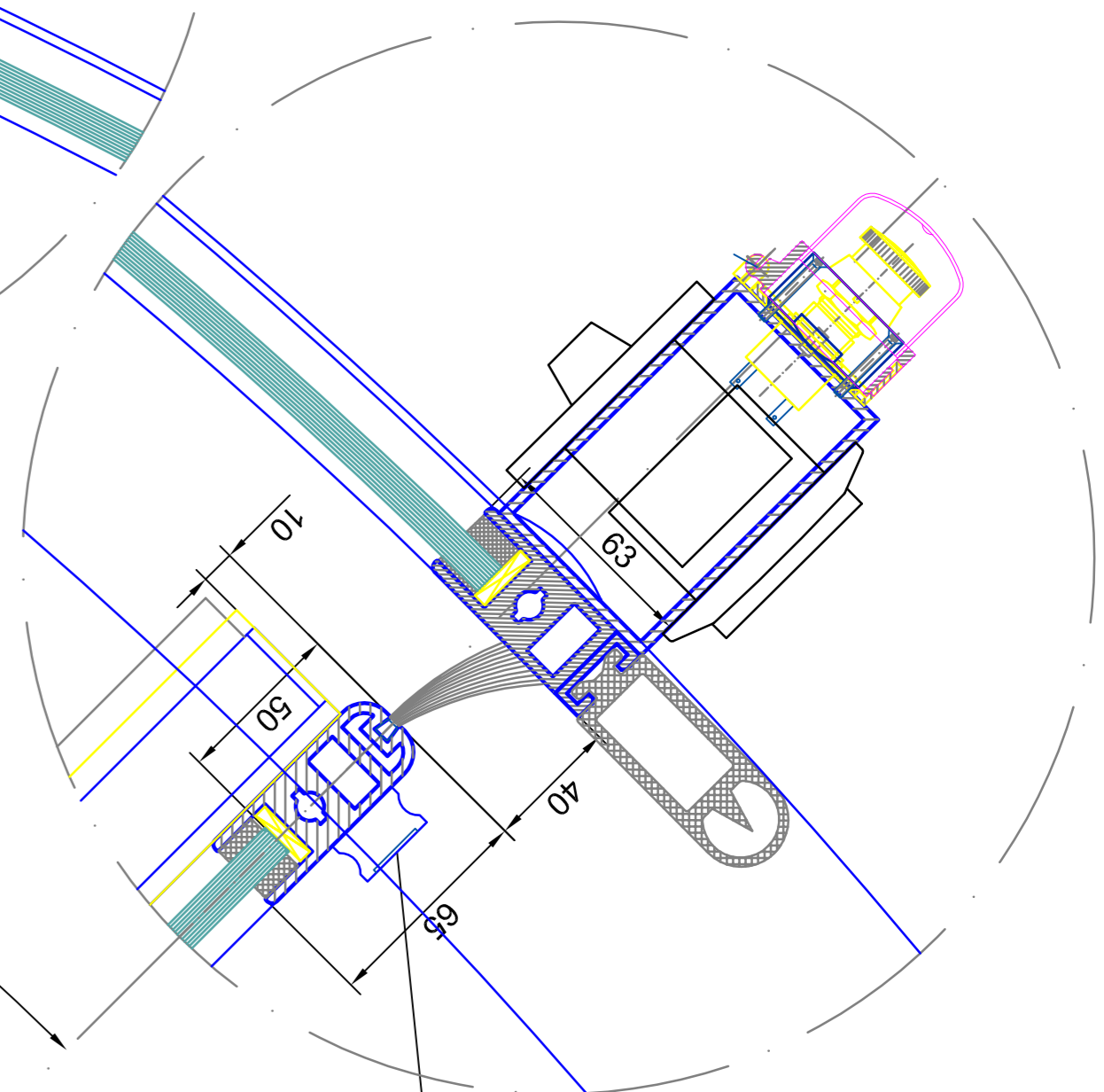
**BLASI**  
 B.L.A.S.I. S.p.A.  
 Autostar Drive  
 Castel San Pietro Terme  
 D - 41012 Modigliana

Tel. +39 0521 881 281  
 Fax +39 0521 881 288  
 E-mail: info@blasi.it  
 www.blasi.it

Project: **R41-VV/MMA-36 Break Out**  
 Title: **SAMPLE DRAWING ONLY**

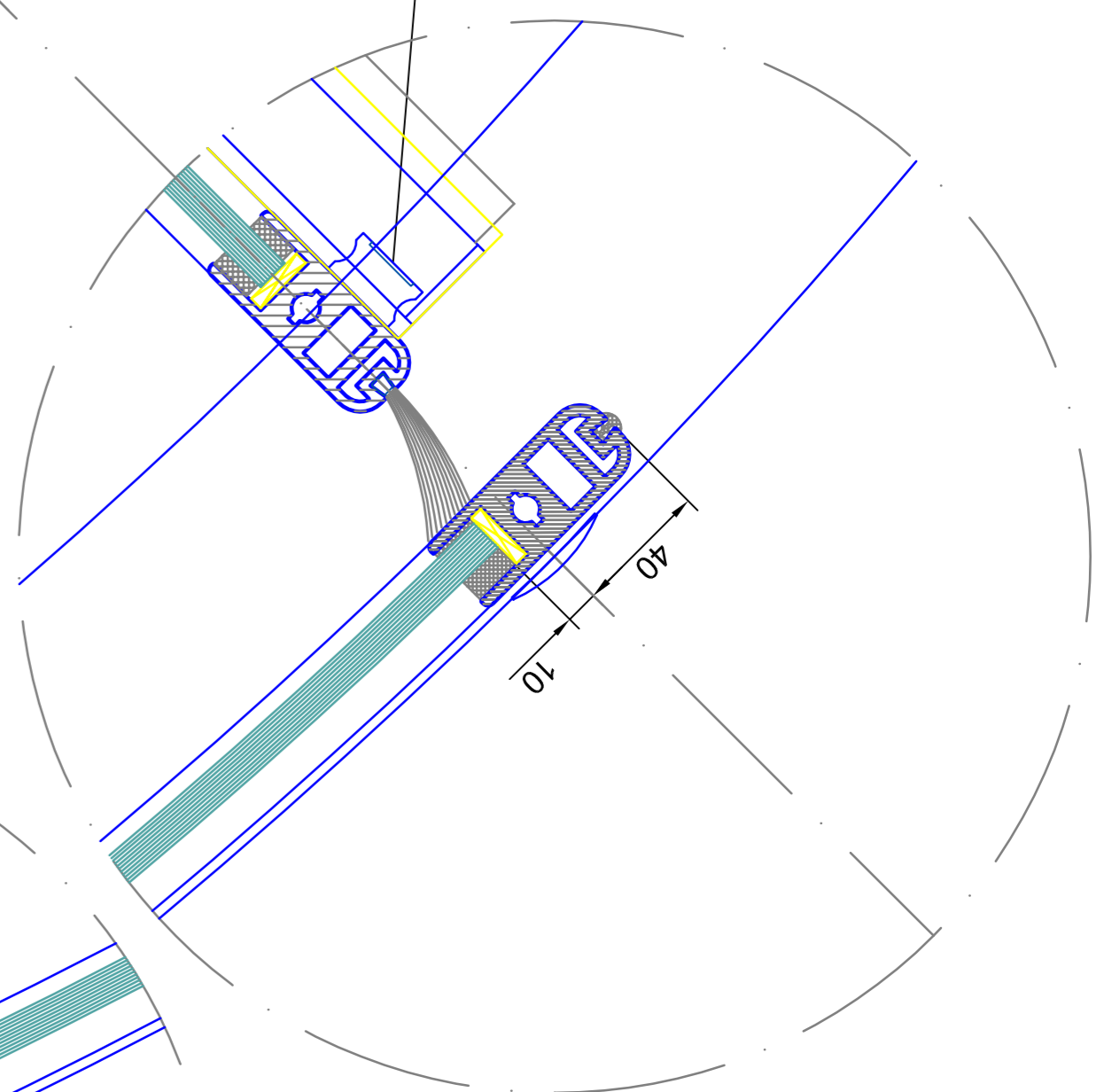
Scale: 1:50  
 Date: 03/04

detail E



bar lock  
locked from inside  
profile-semicylinder 27mm  
locking into the canopy

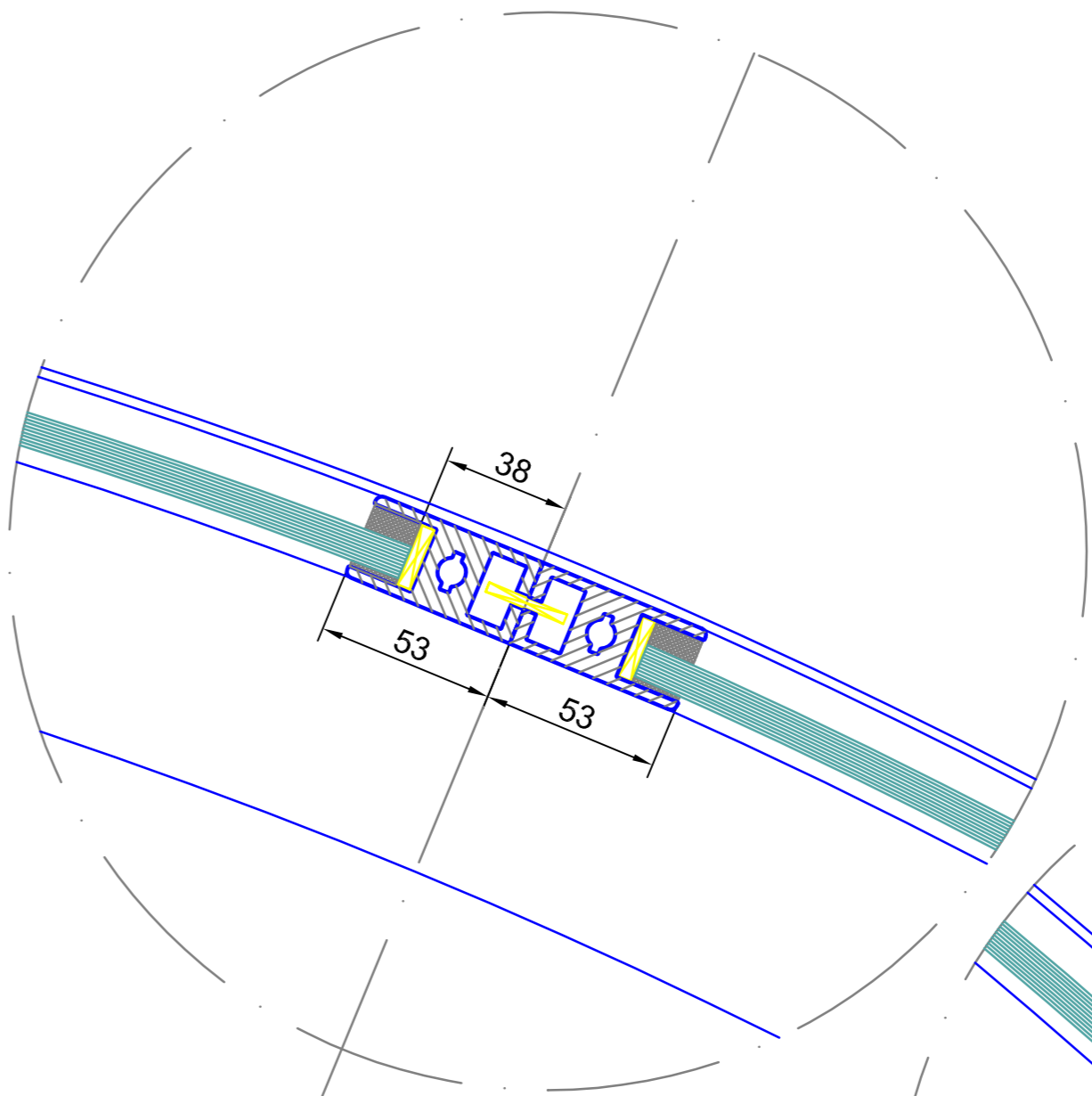
detail F



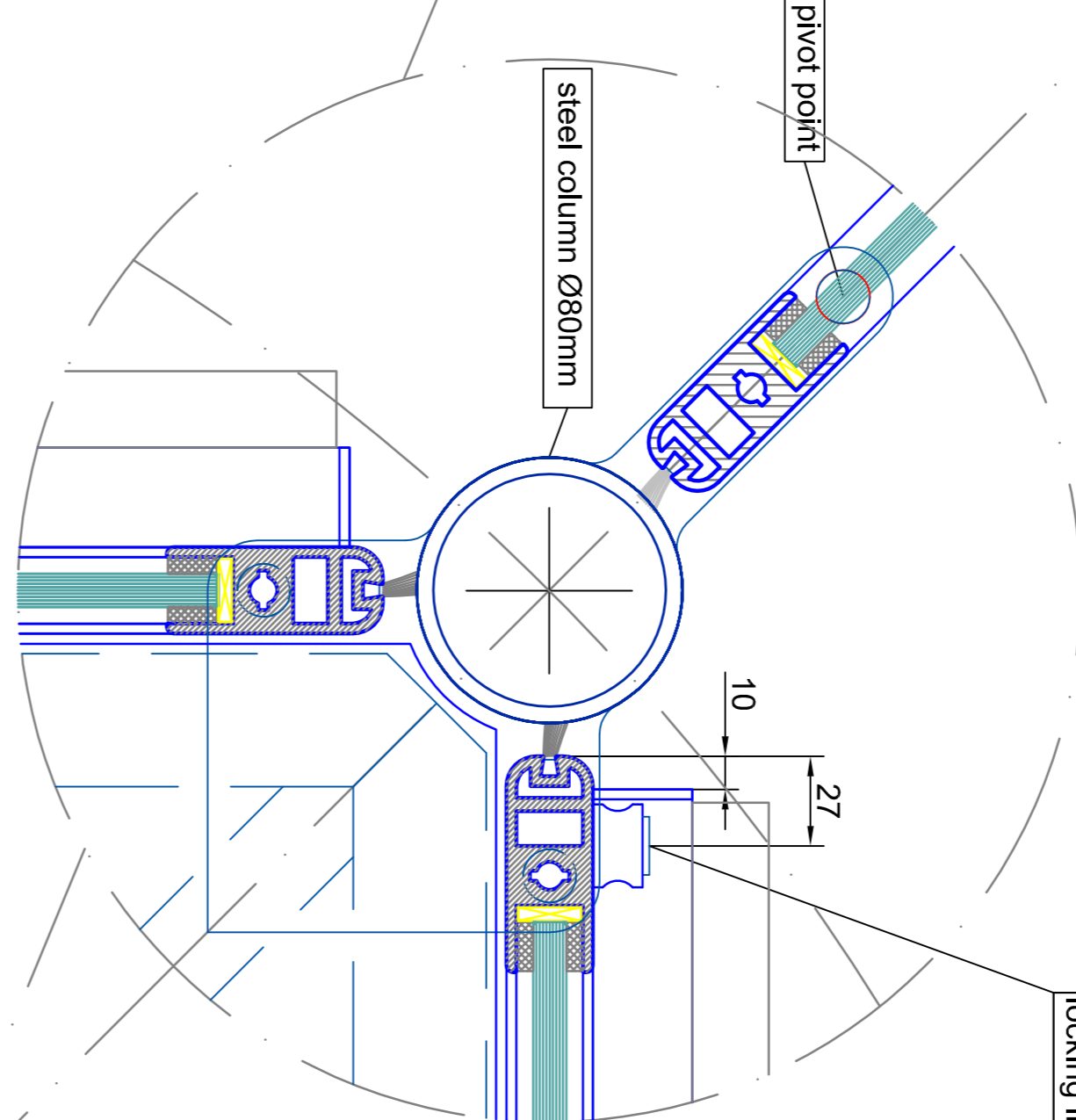
bar lock  
locked from inside  
profile-semicylinder 27mm  
locking into the canopy

inside

detail D

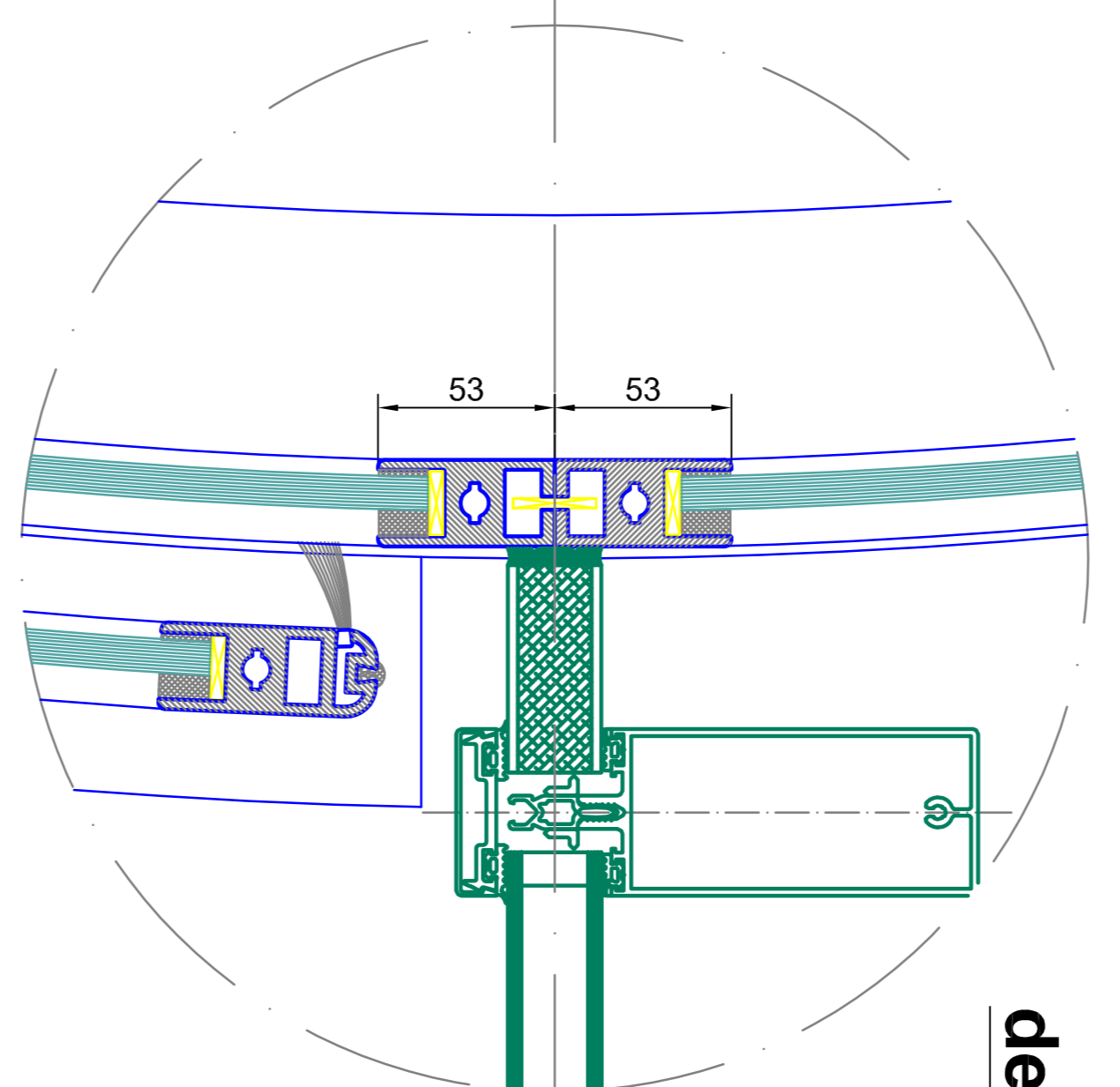


detail M

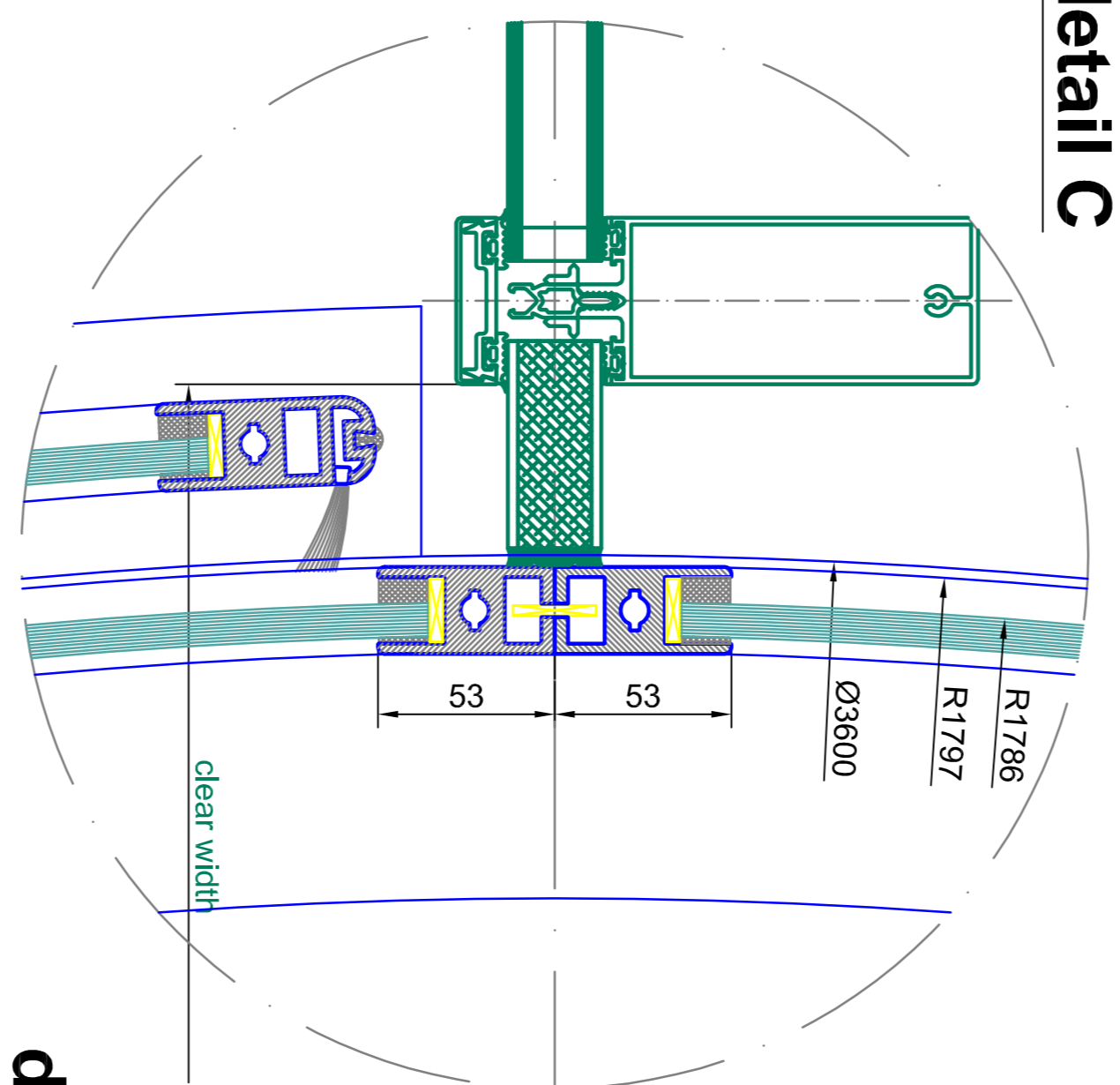


bar lock  
locked from inside  
profile-semicylinder 27mm  
locking into the canopy

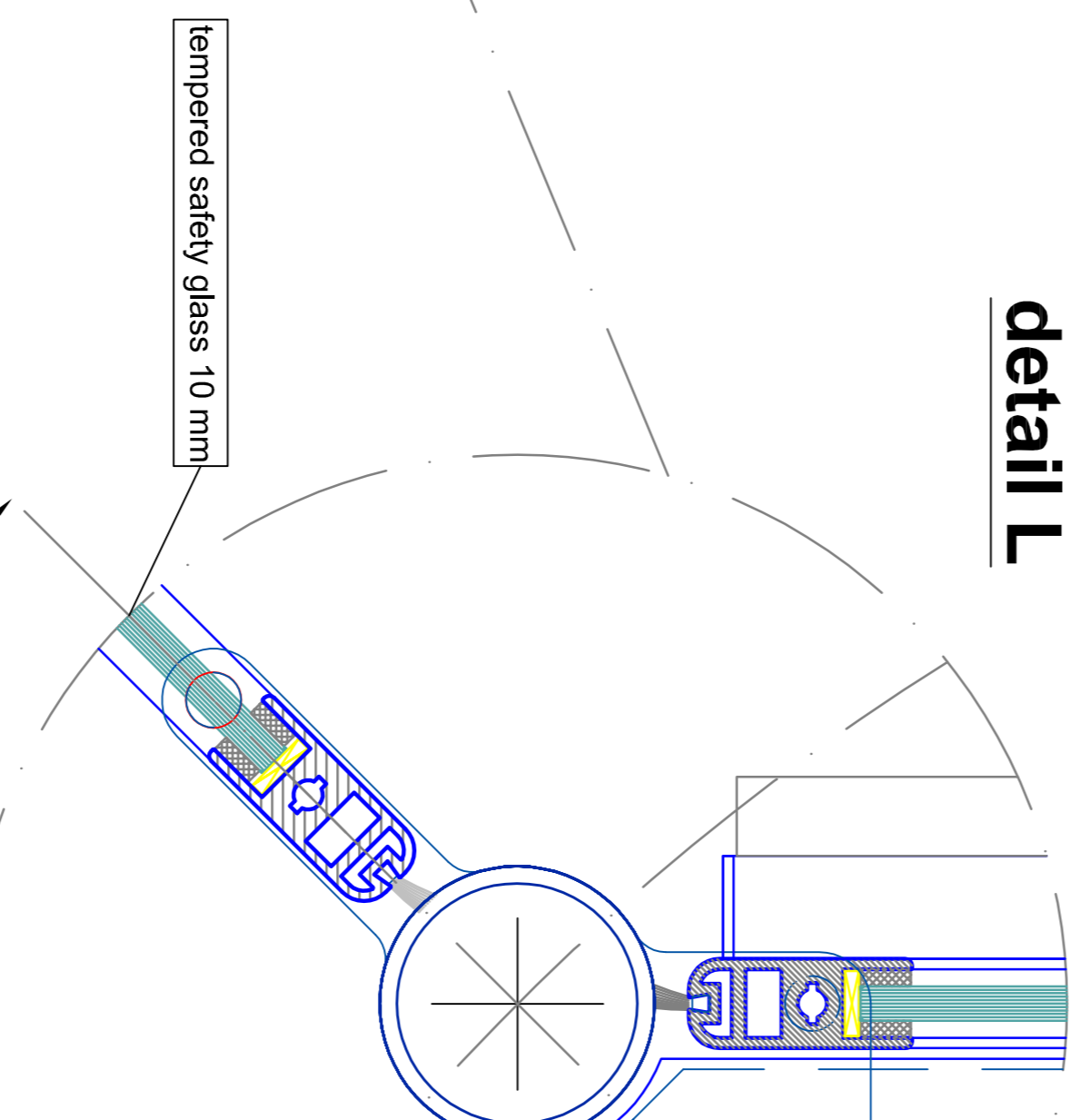
detail H



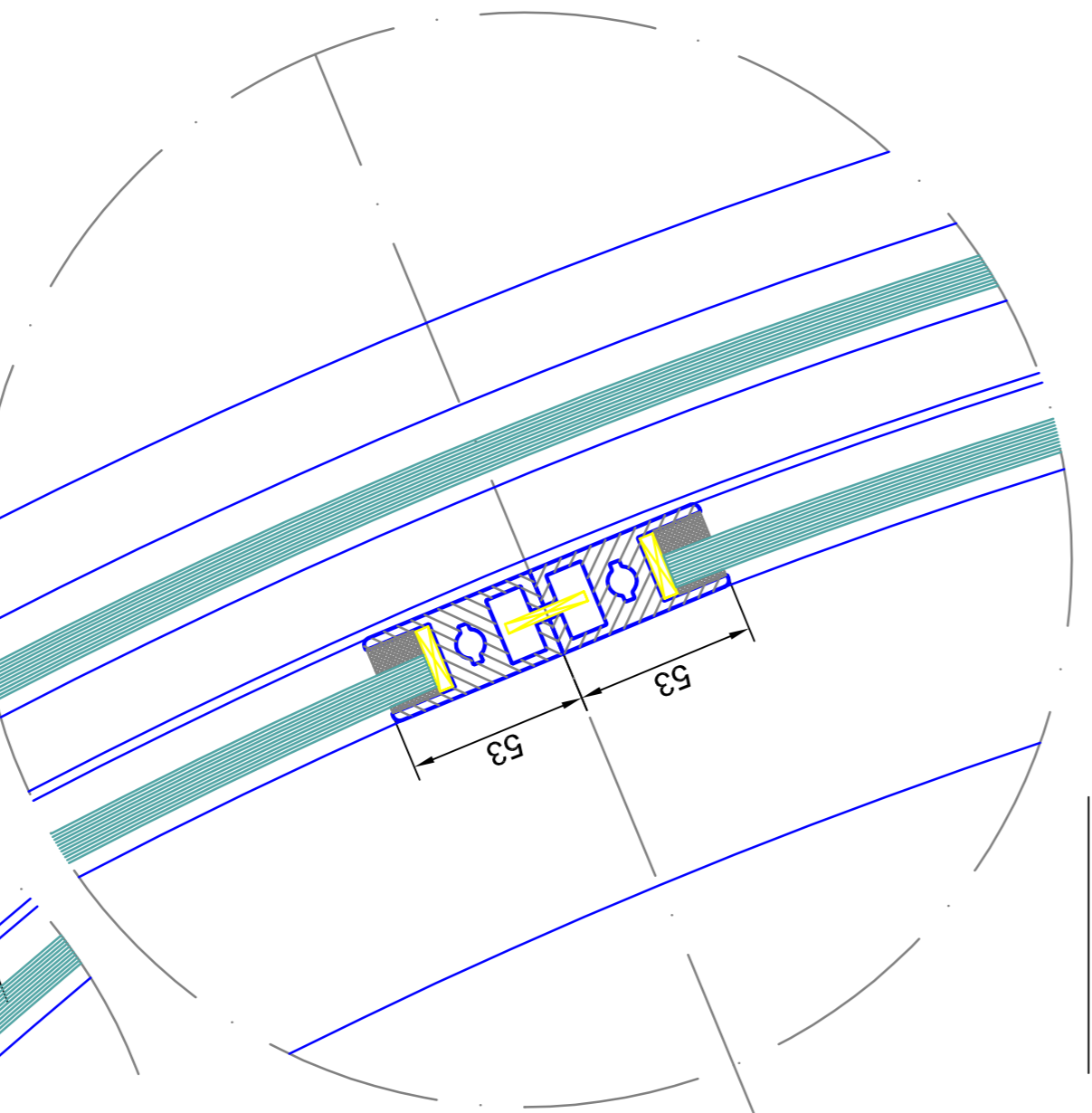
detail C



detail L

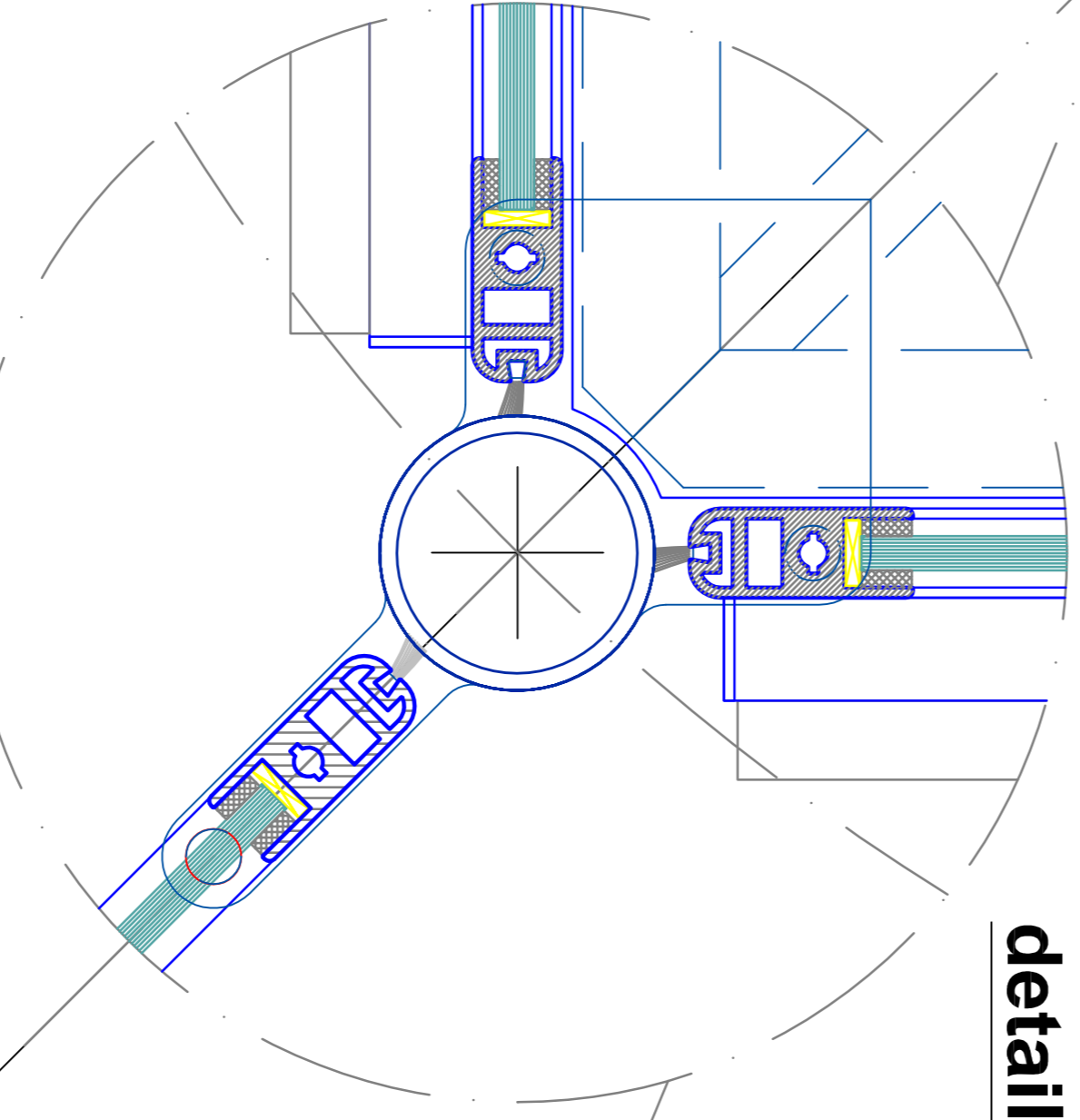


detail B

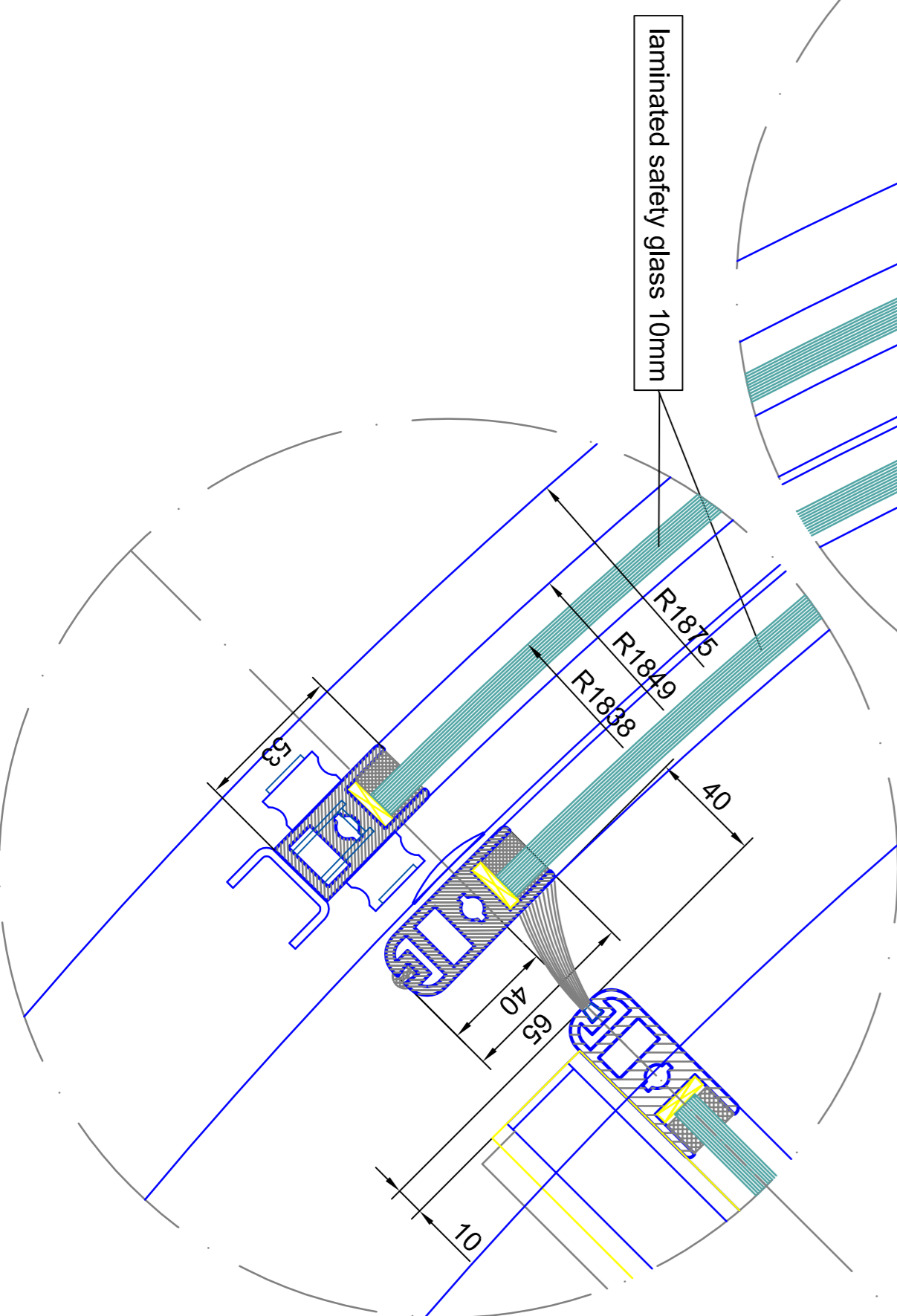


tempered safety glass 10 mm

detail O

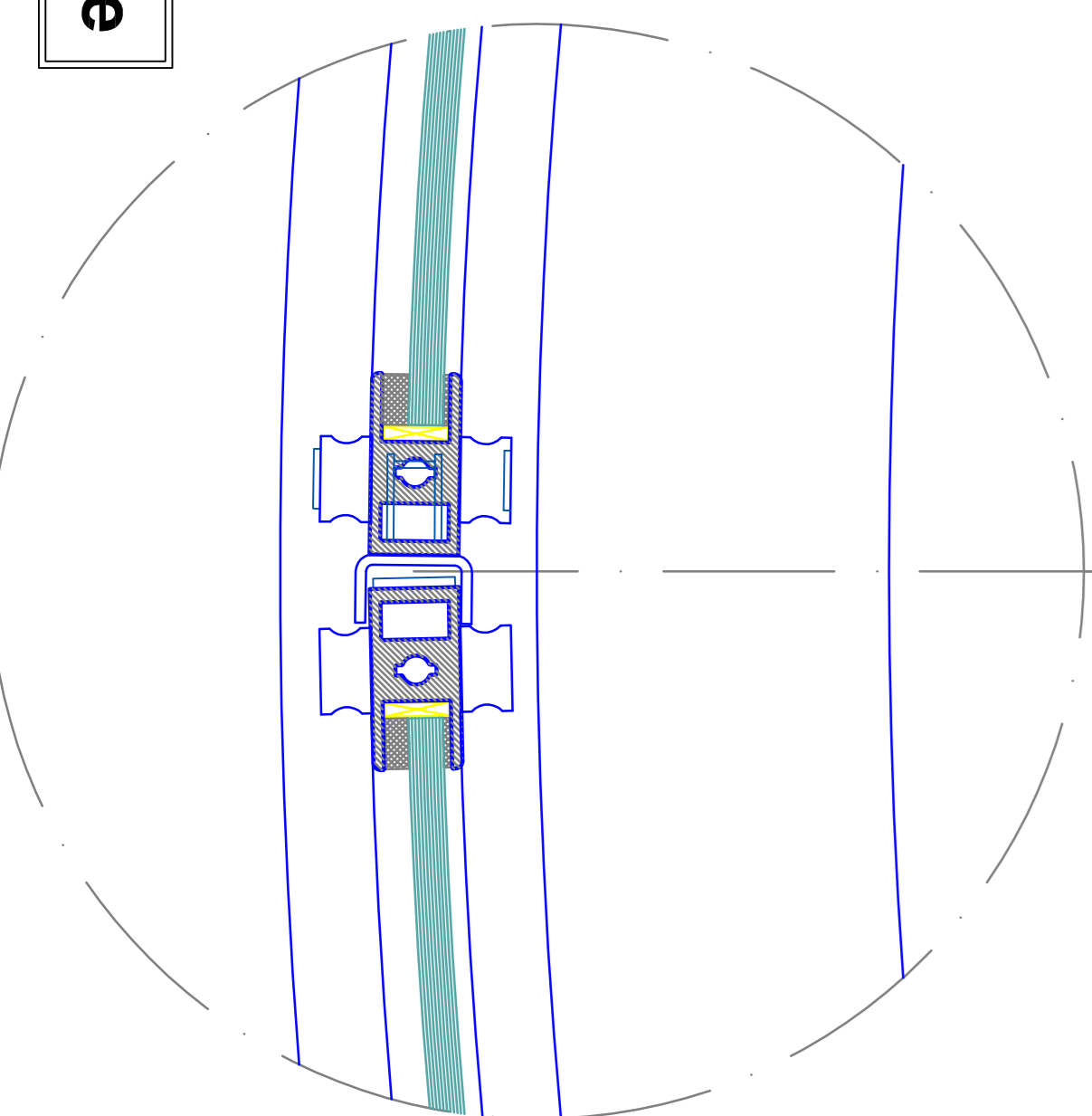


detail A



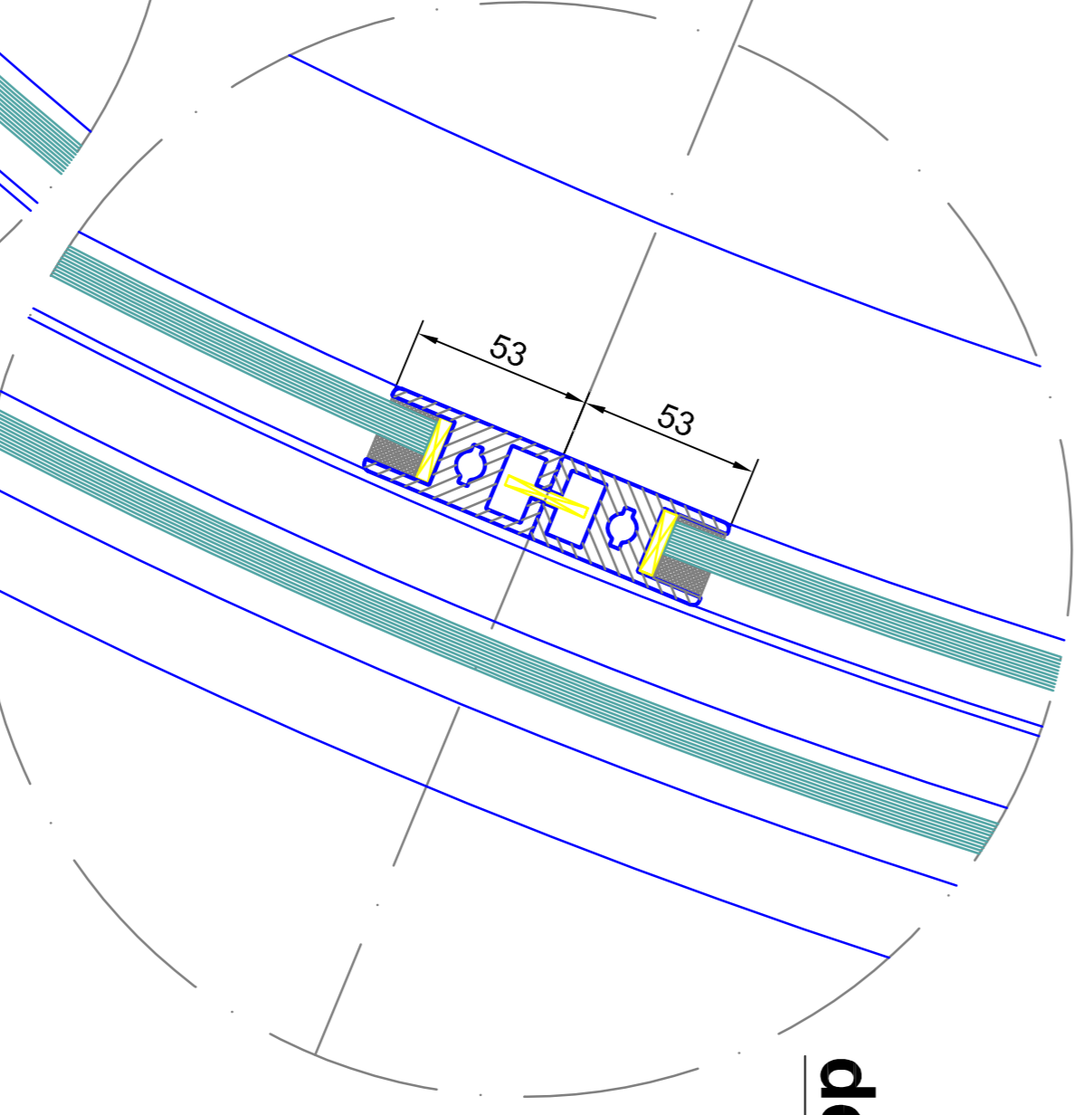
laminated safety glass 10mm

detail K

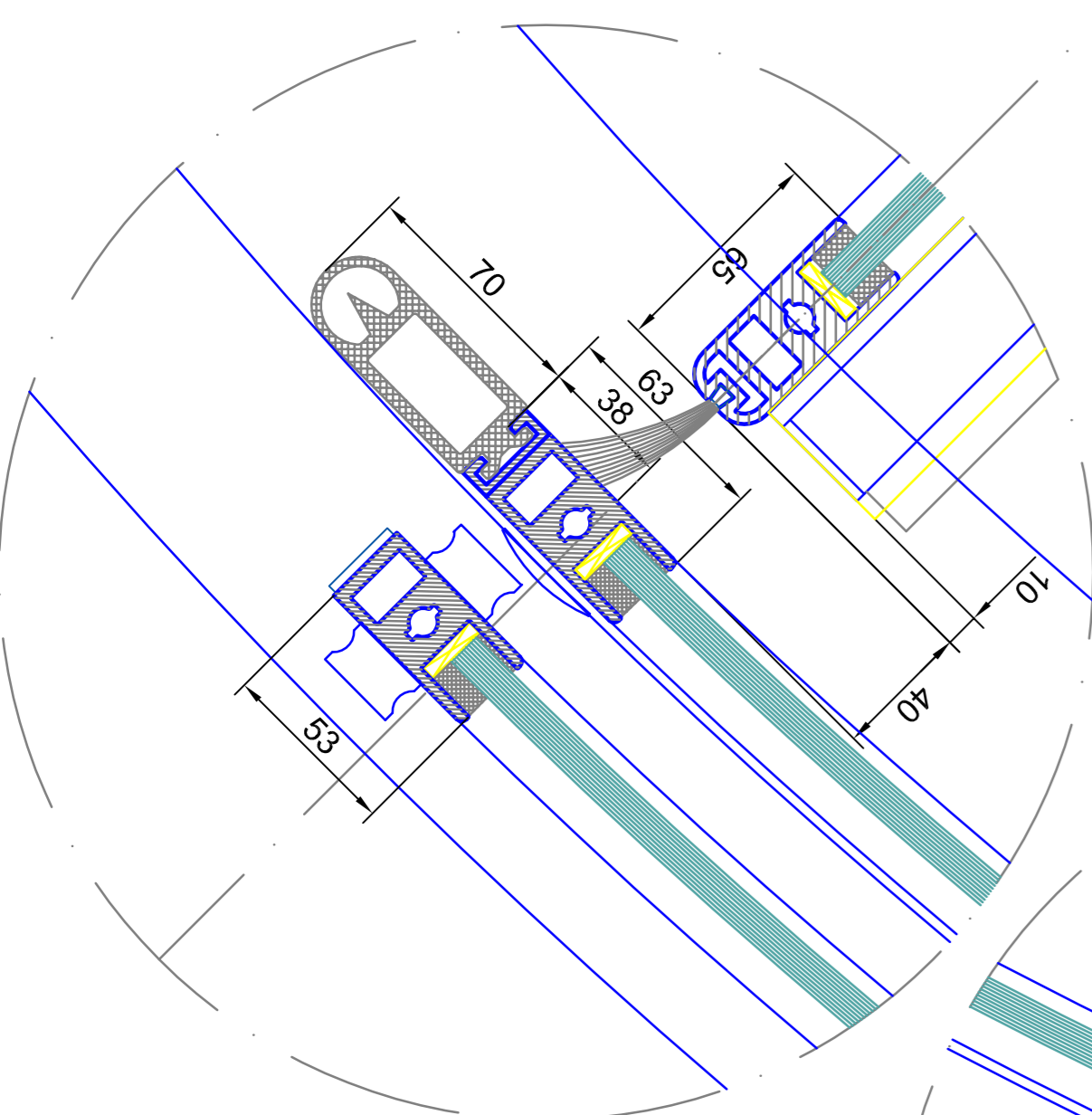


outside

detail I



detail J



Material		Notes	
Material	tempered safety glass 10 mm	Alt. visible frame	(EN 1997)
Material	30x48	Alt. gasket components	must be selected to comply
Material	laminated safety glass 10 mm		

<b>BLASI</b> B.L.S. S.p.A. Autostar Park 5-15 0 - 77172 Malbego Tel. +3902 7 881 281 Fax. +39022 7 881 288 E-mail: info@blasi.it www.blasi.it	Project: <b>K41-VV/MMA-36 Break Out</b> Drawn: <b>SAMPLE DRAWING ONLY</b> Checked:  Date:  Scale: 04 04
--	---