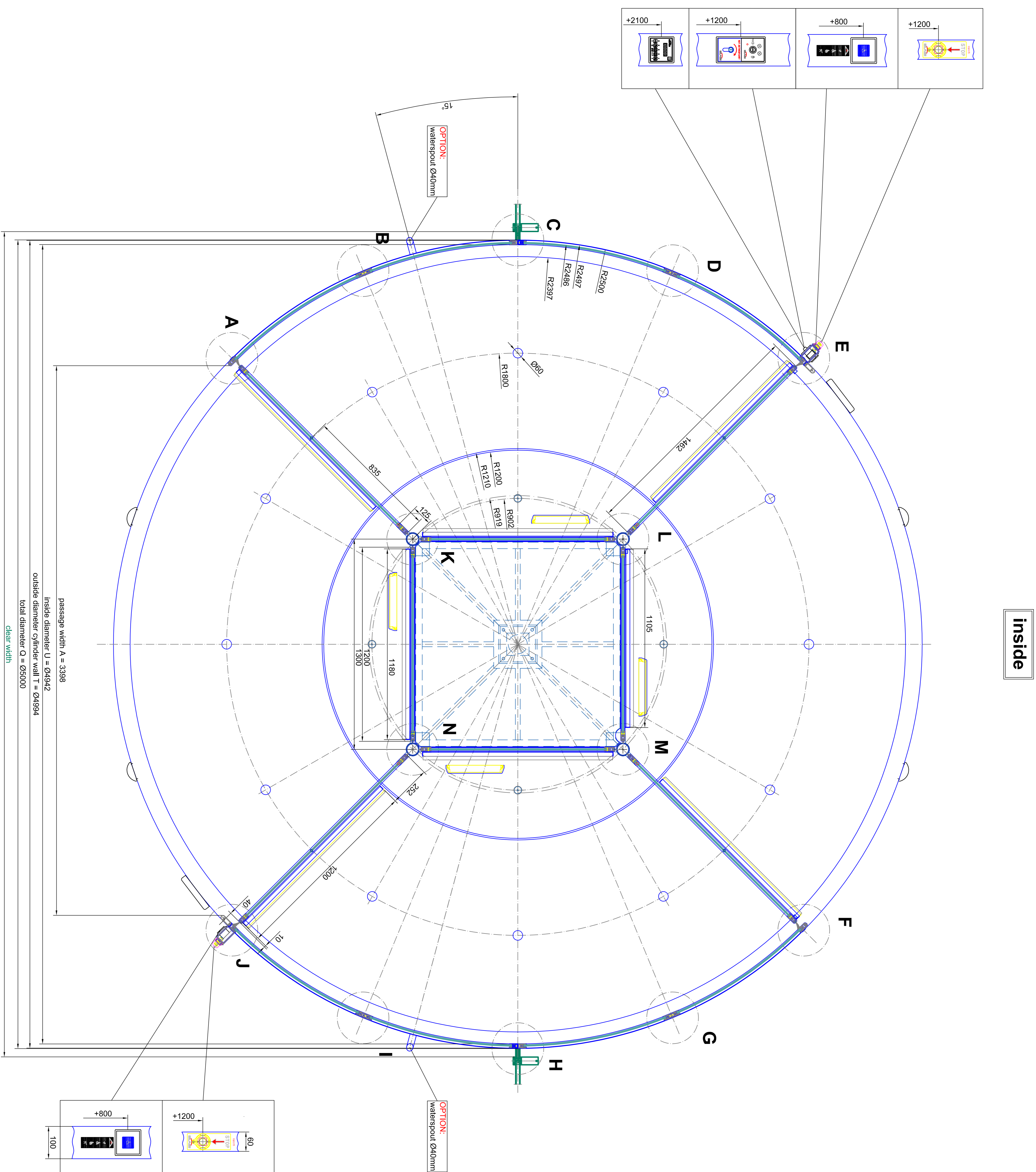


Scale:	1:100 (1:100)	Scale:	1:100 (1:100)
Project:	BLASI	Project:	K41-VVI-50 Break Out
Client:	Automatic Doors	Client:	Automatic Doors
Contract:	Automatic Doors	Contract:	Automatic Doors
Drawn:	Automatic Doors	Drawn:	Automatic Doors
Checked:	Automatic Doors	Checked:	Automatic Doors
Approved:	Automatic Doors	Approved:	Automatic Doors
Issue:	01	Issue:	05

BLASI
 Automatic Doors
 Tel: +69222 / 883 - 281
 Fax: +69222 / 883 - 289
 Email: info@blasi.no
 WWW: Blasi . NO

K41-VVI-50 Break Out
 SAMPLE DRAWING ONLY

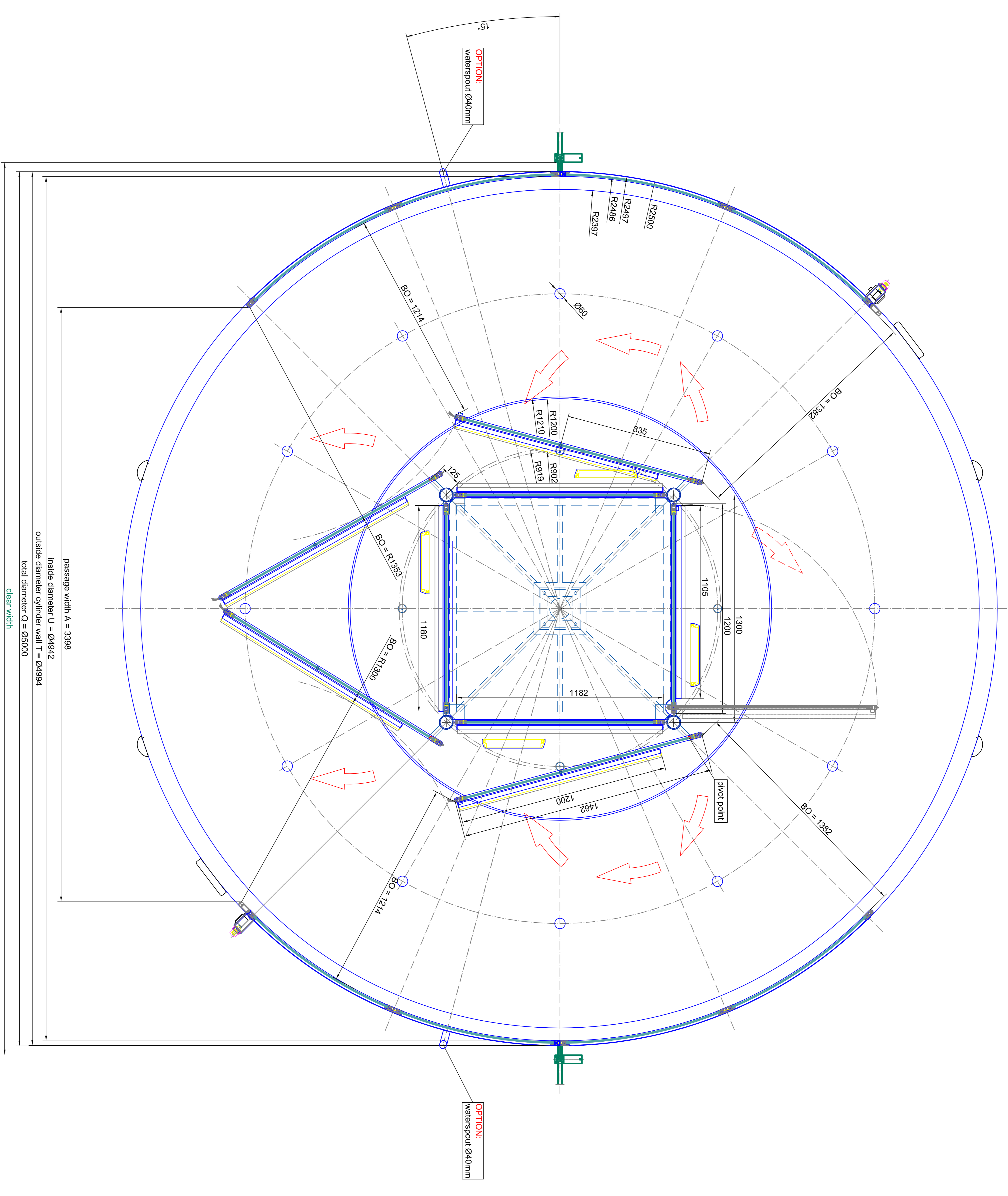


Material	Al (anodized)	Al (anodized)
Surface	9044s	(EN 5031)
Door	tempered safety glass 10 mm	Al (anodized) components finished according to specs
Glazing	tempered safety glass 10 mm	tempered safety glass 10 mm

BLASI
 B L A S I G m b H
 Automatic Doors
 Our door types S-15
 D-1 / 1 / 2 / 3 / 4 / 5 / 6 / 7 / 8 / 9 / 10 / 11 / 12 / 13 / 14 / 15 / 16 / 17 / 18 / 19 / 20 / 21 / 22 / 23 / 24 / 25 / 26 / 27 / 28 / 29 / 30 / 31 / 32 / 33 / 34 / 35 / 36 / 37 / 38 / 39 / 40 / 41 / 42 / 43 / 44 / 45 / 46 / 47 / 48 / 49 / 50 / 51 / 52 / 53 / 54 / 55 / 56 / 57 / 58 / 59 / 60 / 61 / 62 / 63 / 64 / 65 / 66 / 67 / 68 / 69 / 70 / 71 / 72 / 73 / 74 / 75 / 76 / 77 / 78 / 79 / 80 / 81 / 82 / 83 / 84 / 85 / 86 / 87 / 88 / 89 / 90 / 91 / 92 / 93 / 94 / 95 / 96 / 97 / 98 / 99 / 100

Tel. +69222 / 883 - 291
 Fax. +69222 / 883 - 299
 Email: info@blasi.de
 WWW: blasi.de

Model: A6-H10
 Project: K41-VN1-50 Break Out
 Drawing: SAMPLE DRAWING ONLY
 Date: 02
 Rev: 05



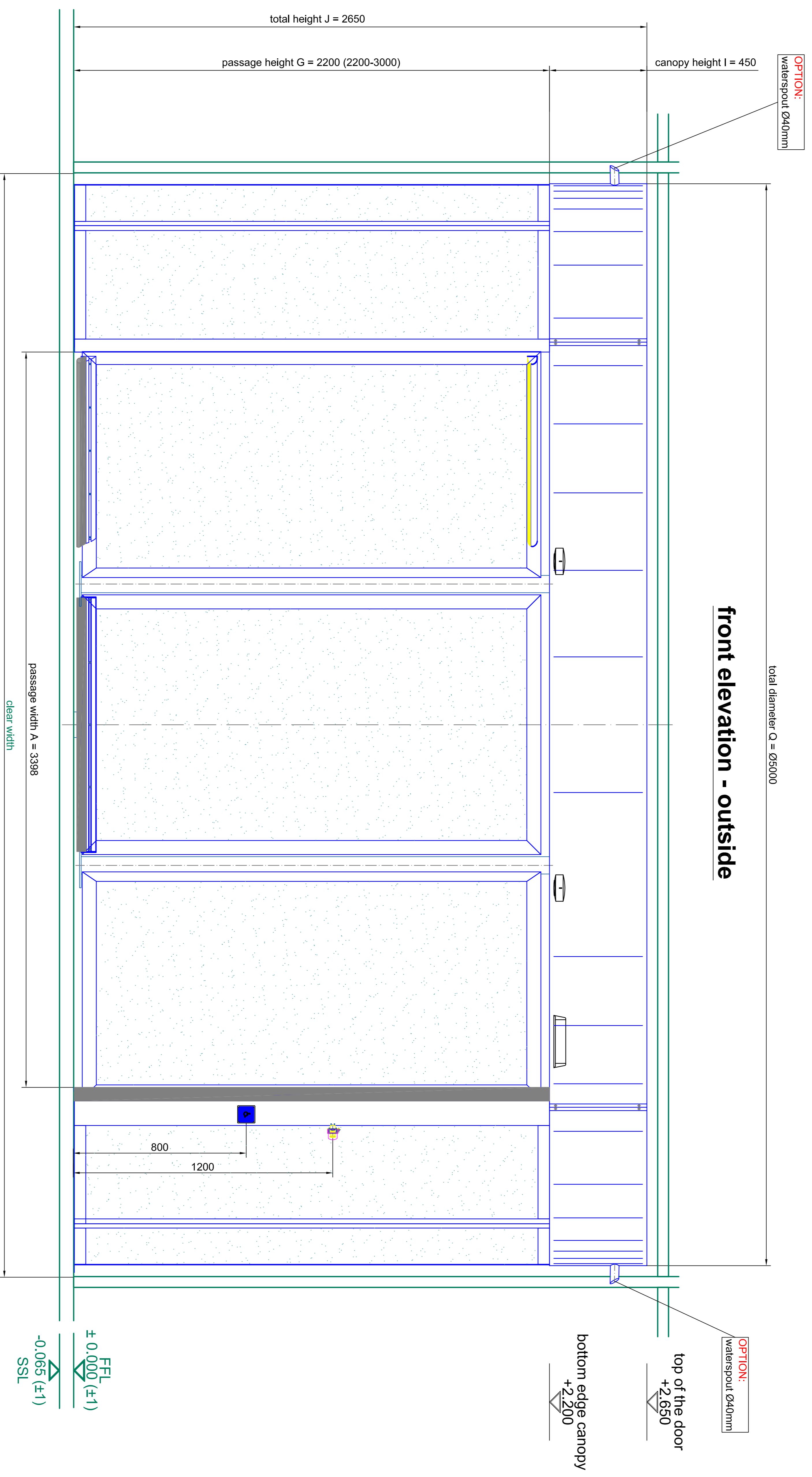
inside

outside

passage width A = 3398
 inside diameter U = Ø4942
 outside diameter cylinder wall T = Ø4994
 total diameter Q = Ø5000
 clear width

horizontal section - door in break out position

Material	Al (anodized)	Color	Black
Profile	90x45	Standard	EN 12543
Glass	tempered safety glass 10 mm	Interlayer	laminated safety glass 10 mm
Hardware	304 A4	Hardware	304 A4
Accessories		Accessories	
Notes	<p>BLASI G m b H Automatic Doors Our shop Street 5-16 D - 71737 Mühlweg</p> <p>Tel. +49(0)7142 / 883 - 231 Fax. +49(0)7142 / 883 - 239 E-mail: info@blasi.de WWW: blasi.de · 1100</p>		
Model	ALH-110	Project	K41-VN1-50 Break Out
Version		Configuration	
Scale	1:1	Sheet	
Author		Checked	
Drawn		Approved	
Page	03	Page	05



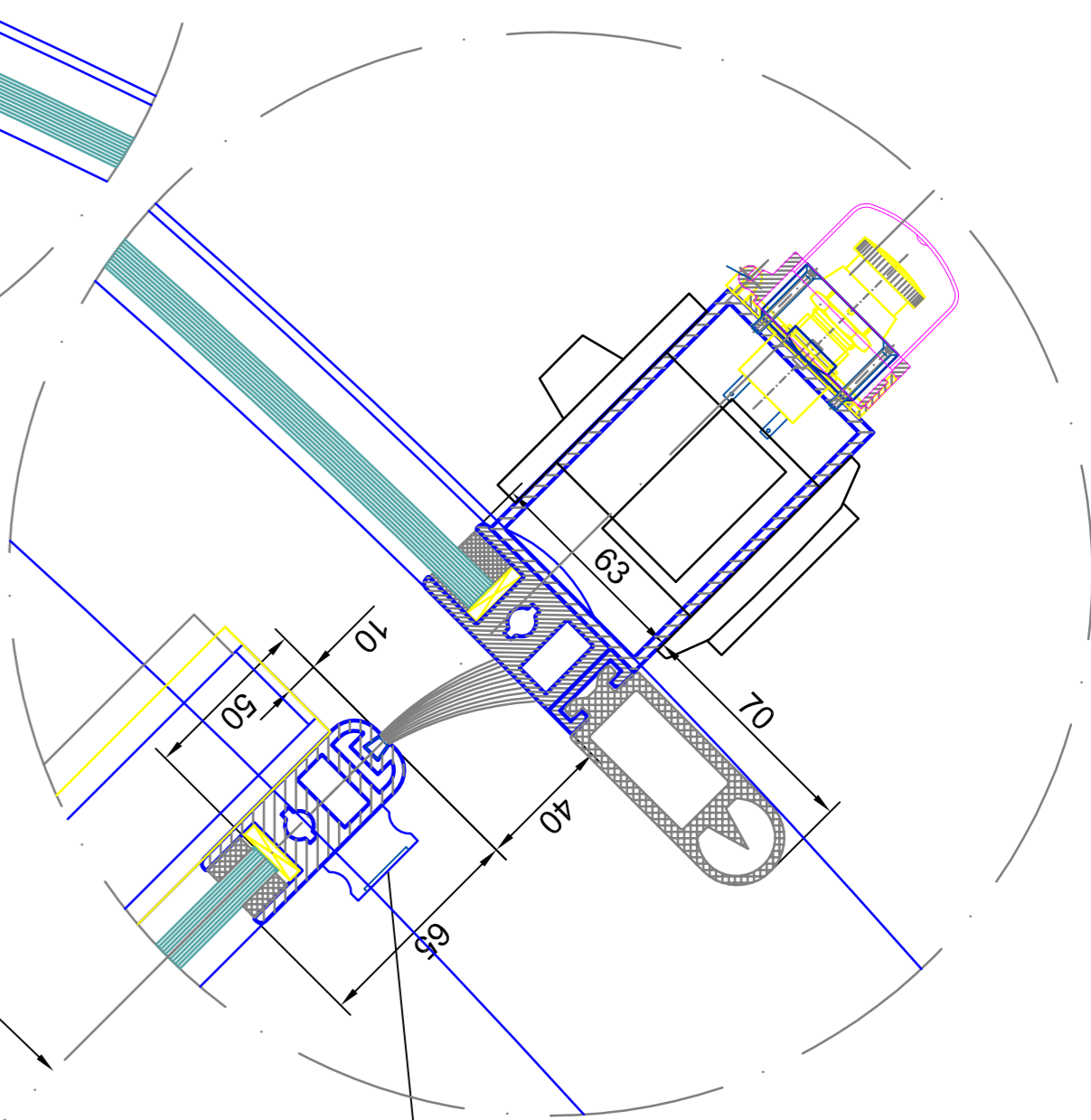
Standard	EN 11253	EN 11253
Material	tempered safety glass 10 mm	tempered safety glass 10 mm
Finish	304 4s	304 4s
Accessories		
Notes		

Model	AE-H10	Model	K41-VVI-50 Break Out
Project		Project	SAMPLE DRAWING ONLY
Client		Client	
Designer		Designer	
Checker		Checker	
Approver		Approver	
Date		Date	
Page	04	Page	05

BLASI
 B L A S I G m b H
 Automatic Doors
 Ost-Str. 5-15
 D-71737 Mühlweg

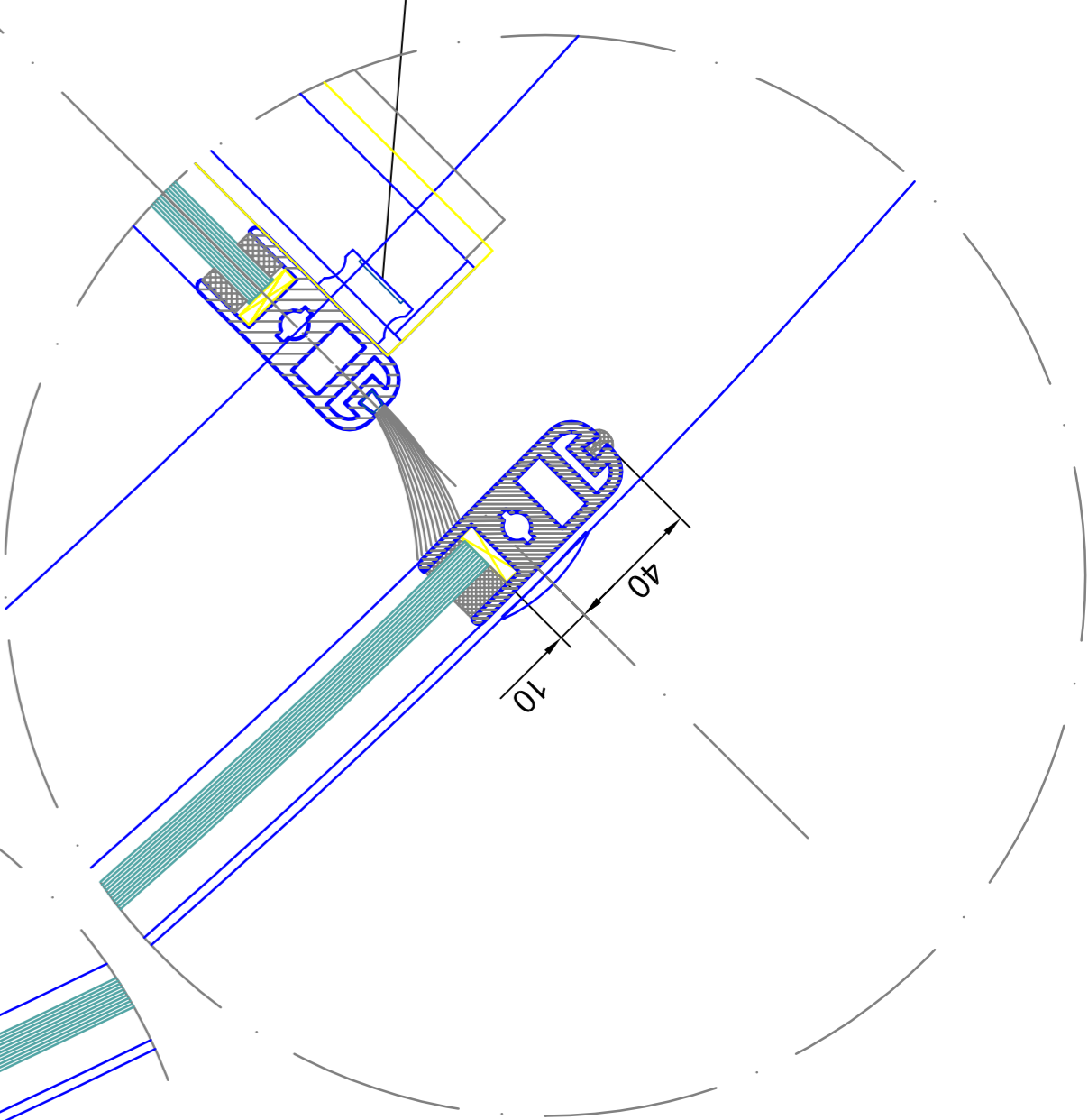
Tel. +49(0)7142 / 883-281
 Fax. +49(0)7142 / 883-289
 E-mail: info@blasig.de
 WWW: blasig.de

detail E

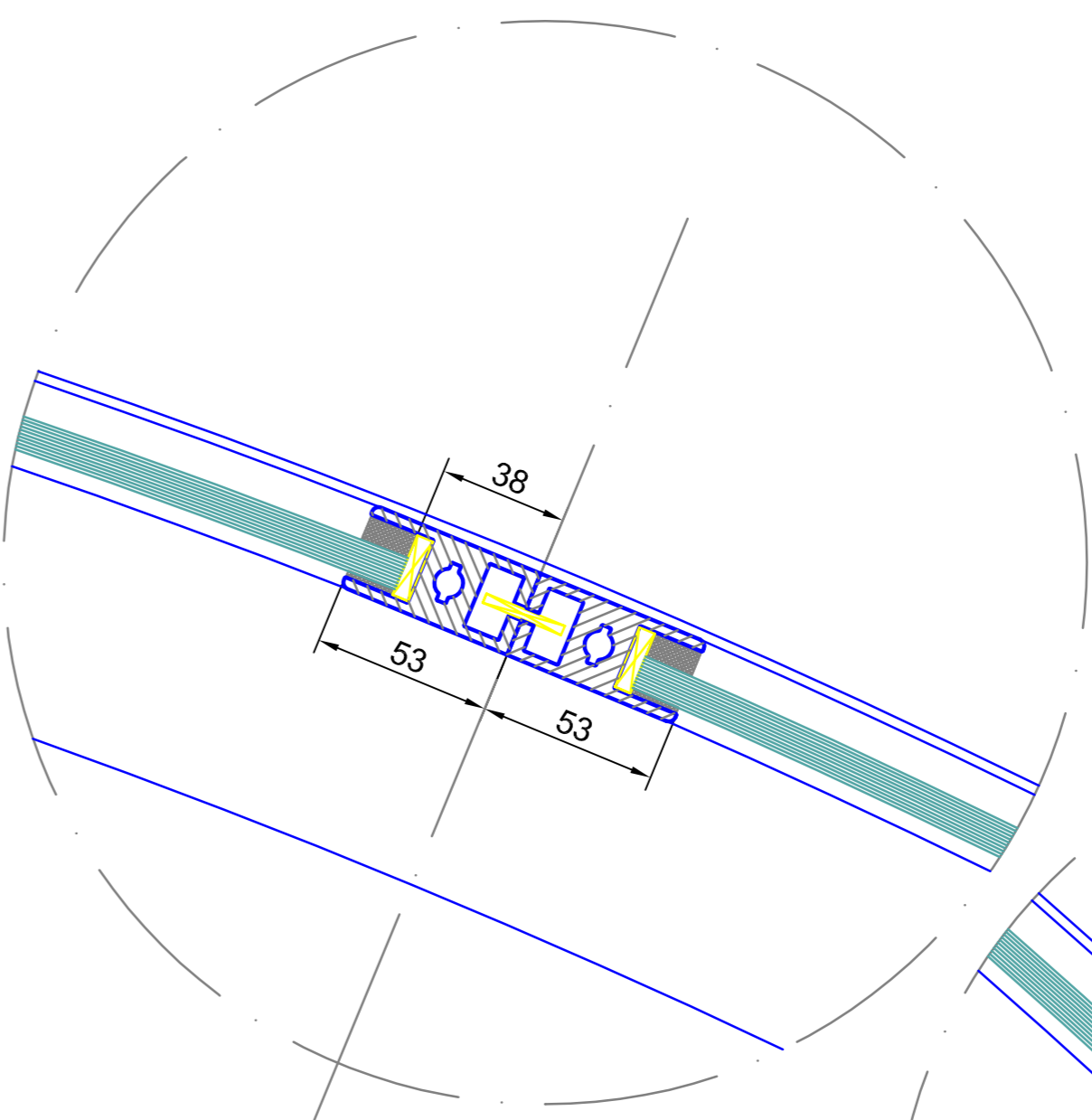


inside

detail F



detail D

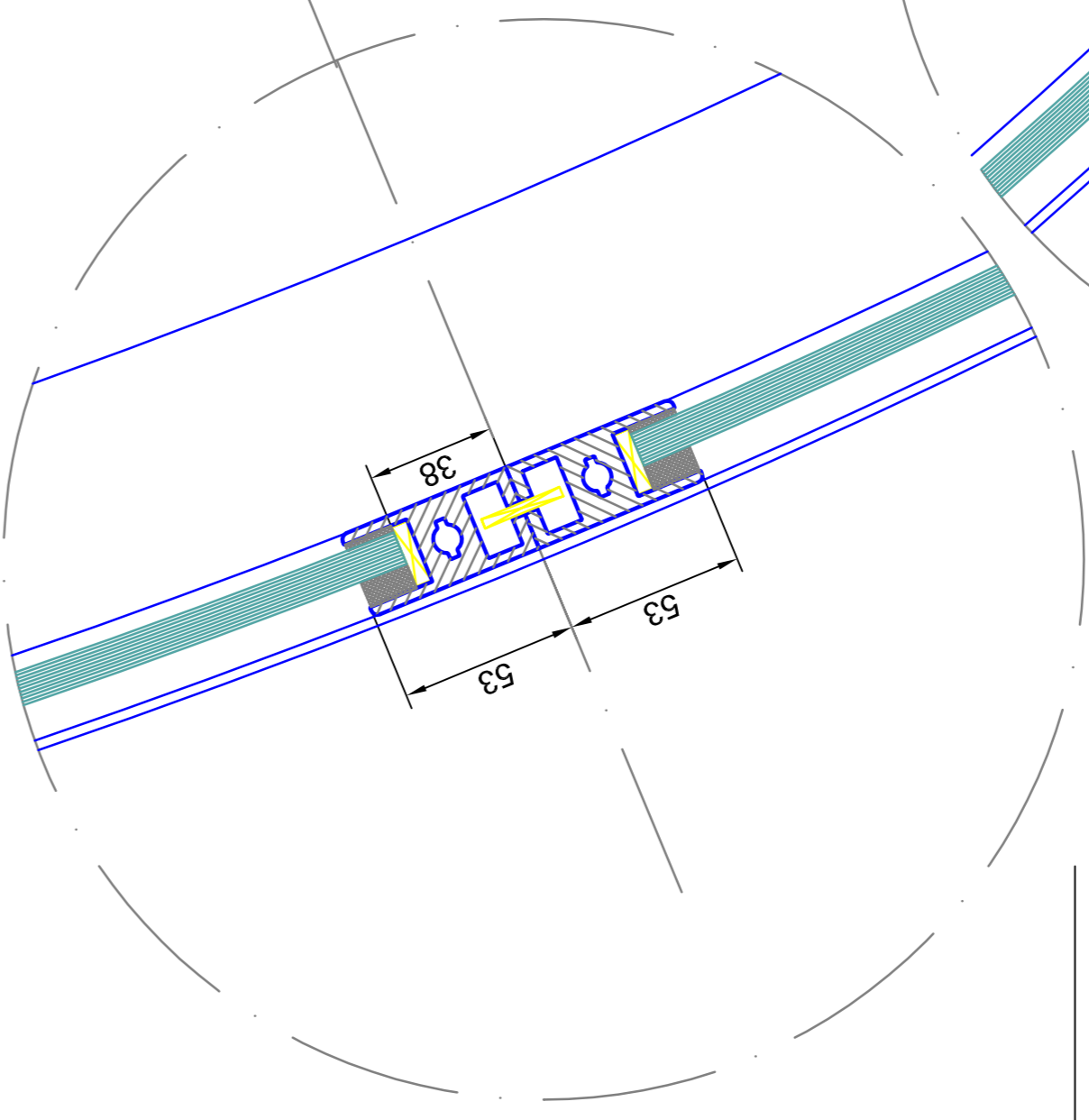


detail E

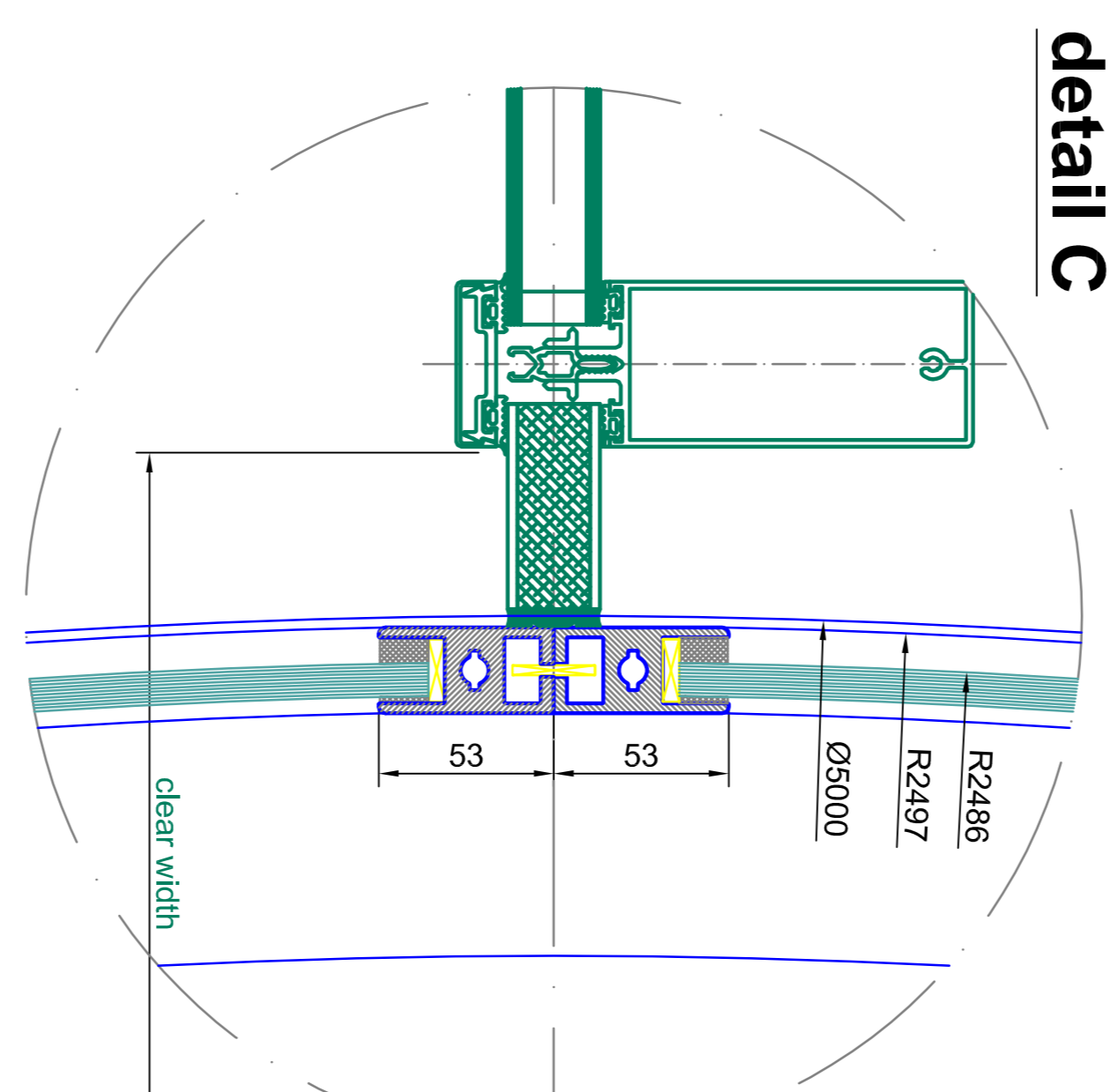
inside

detail F

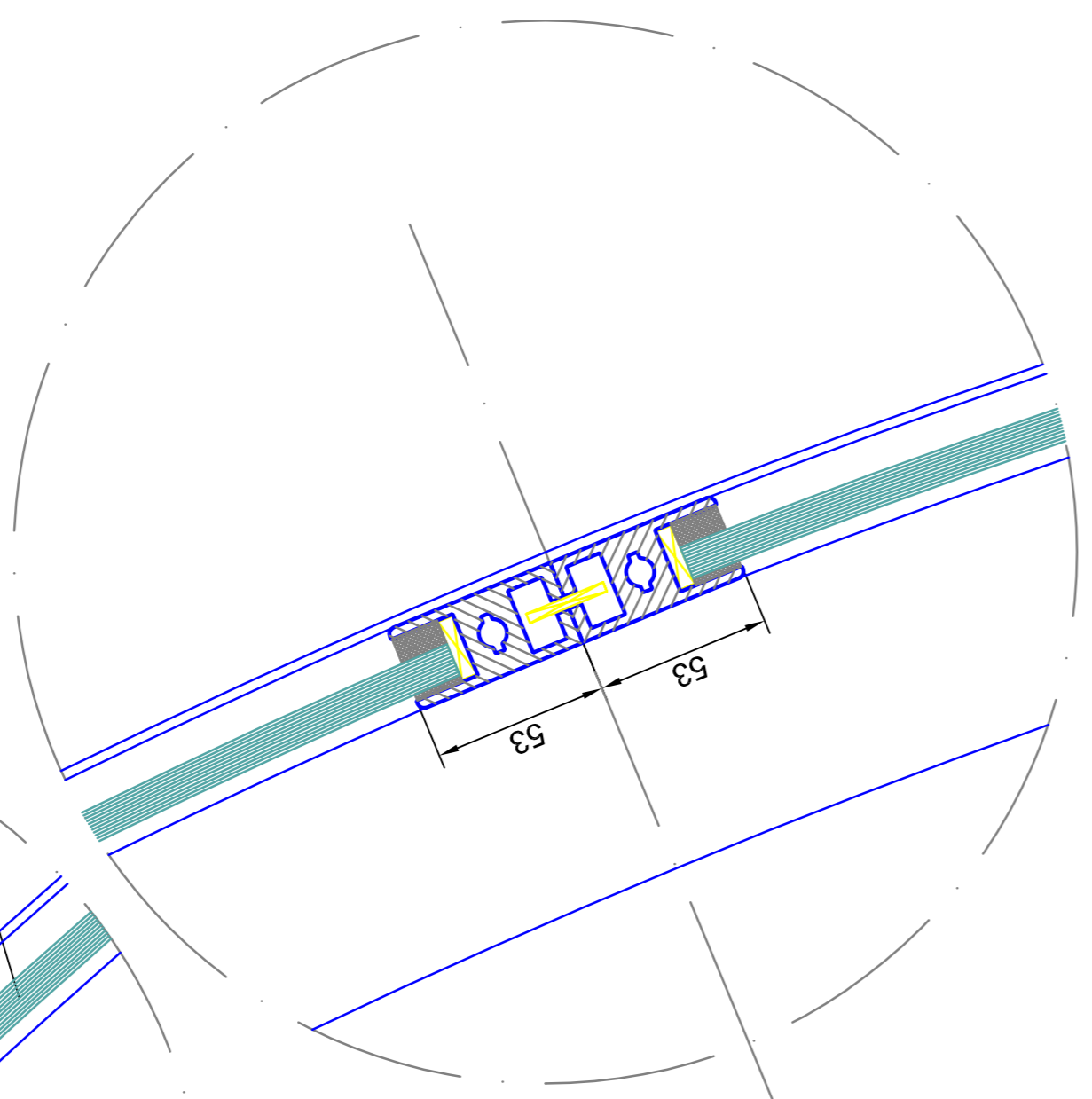
detail G



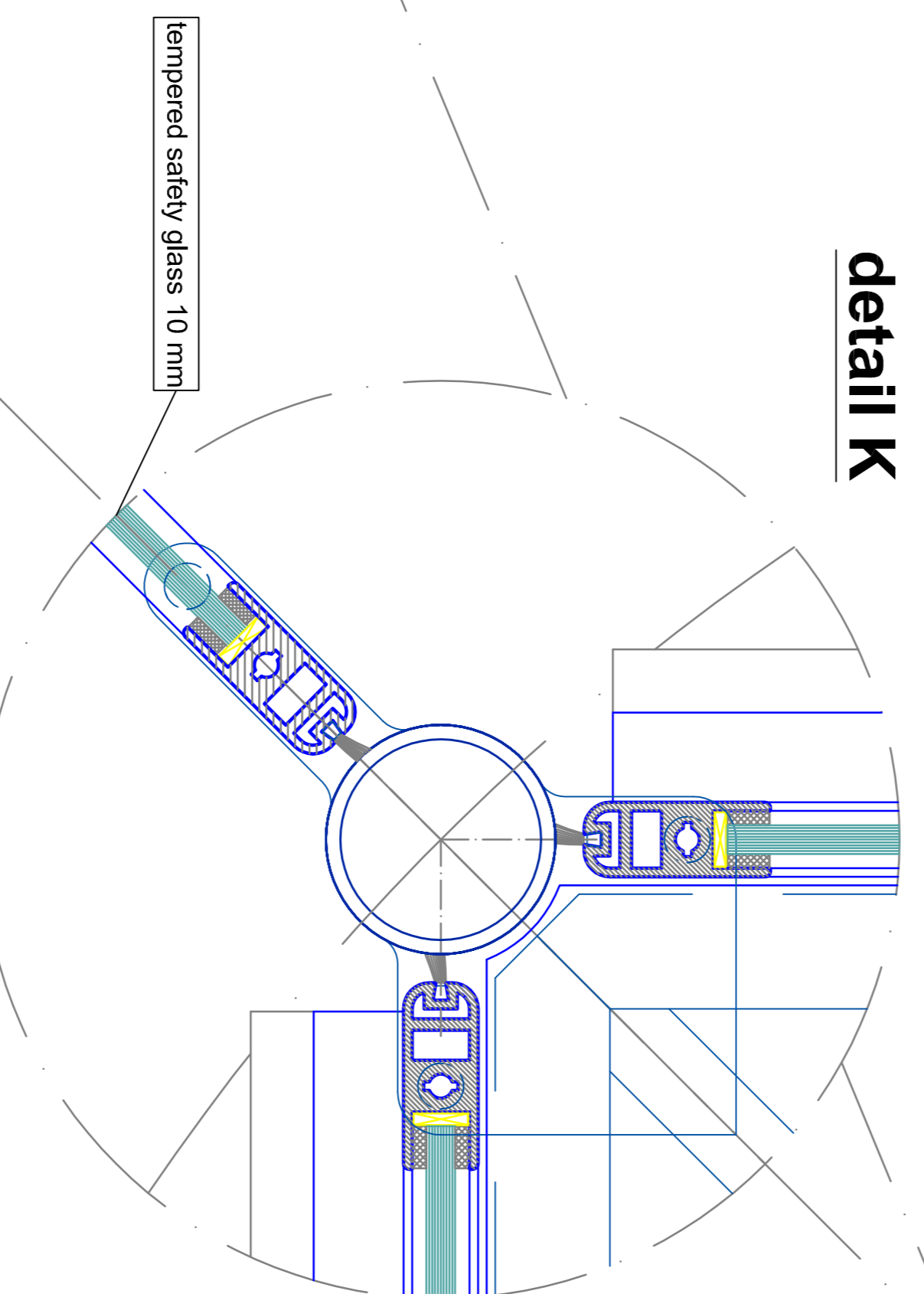
detail C



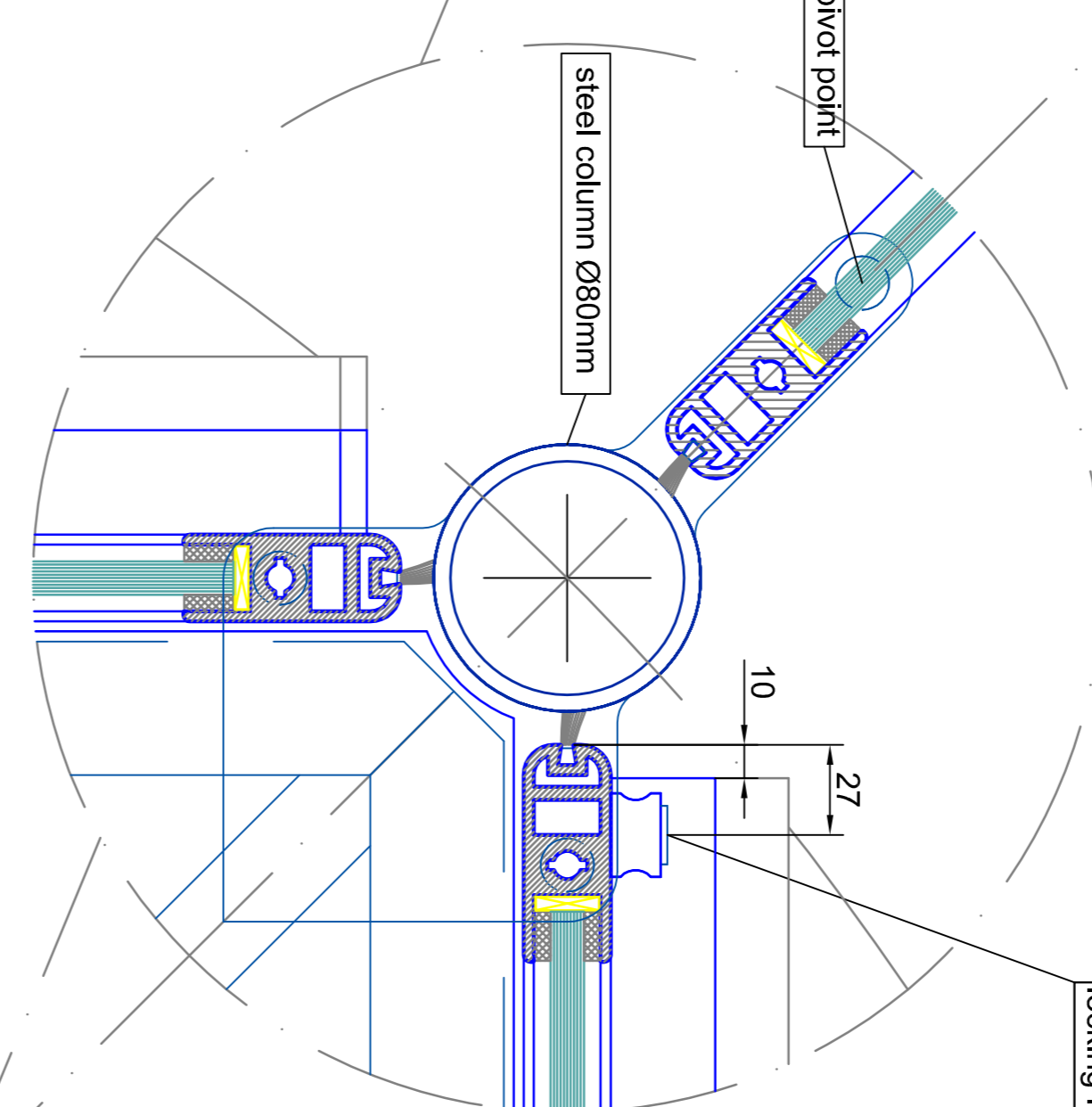
detail B



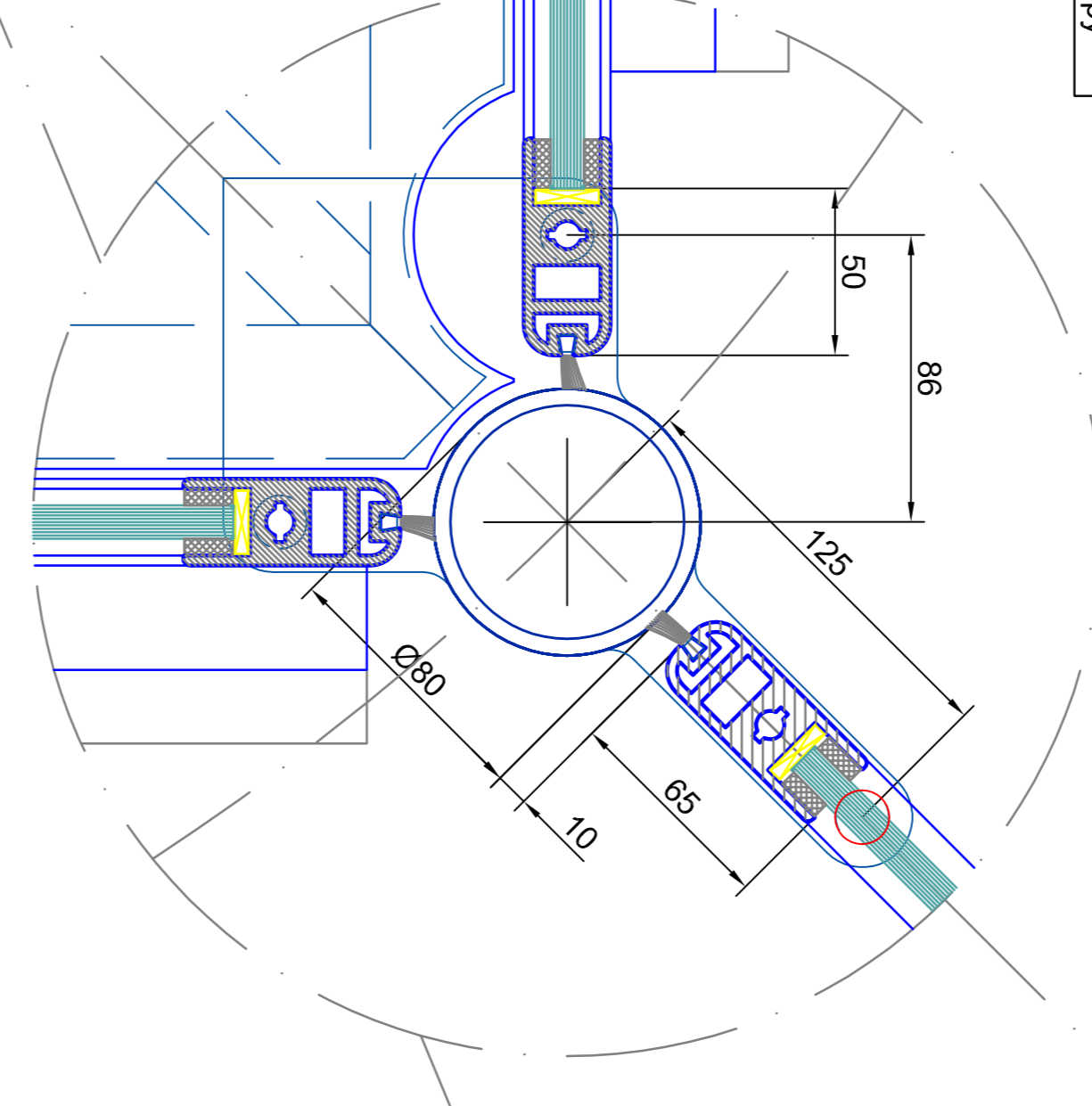
detail K



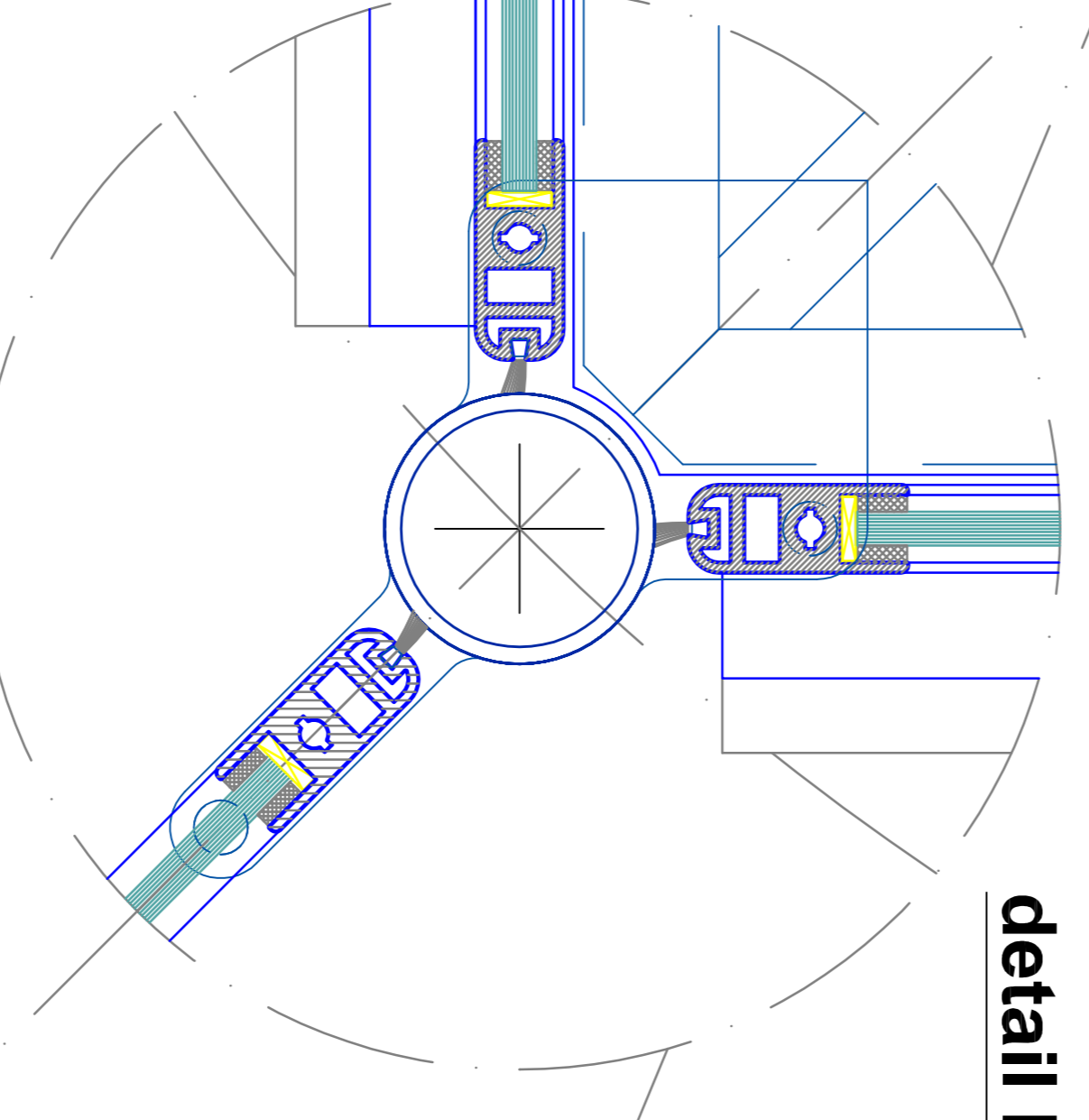
detail L



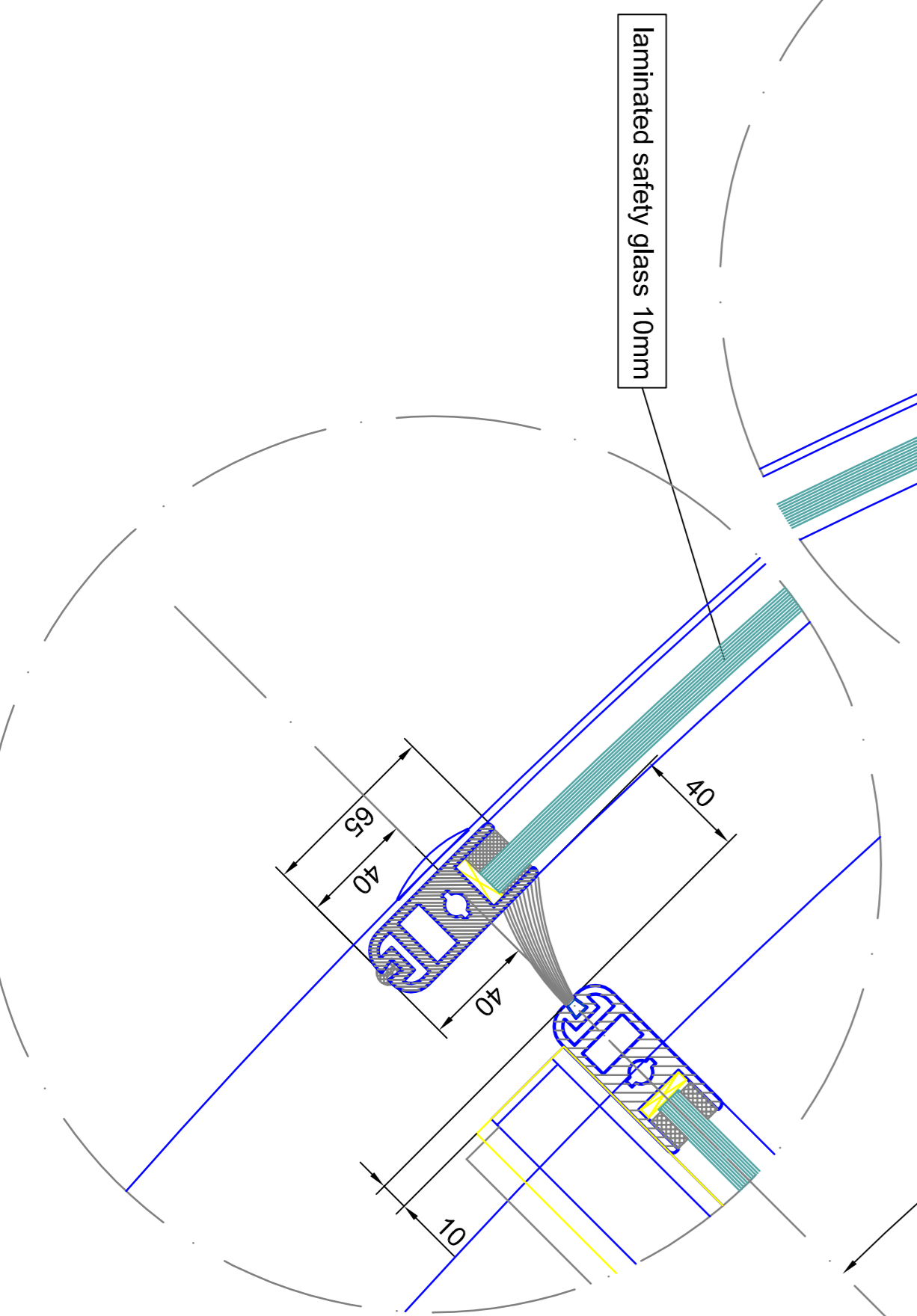
detail M



detail N

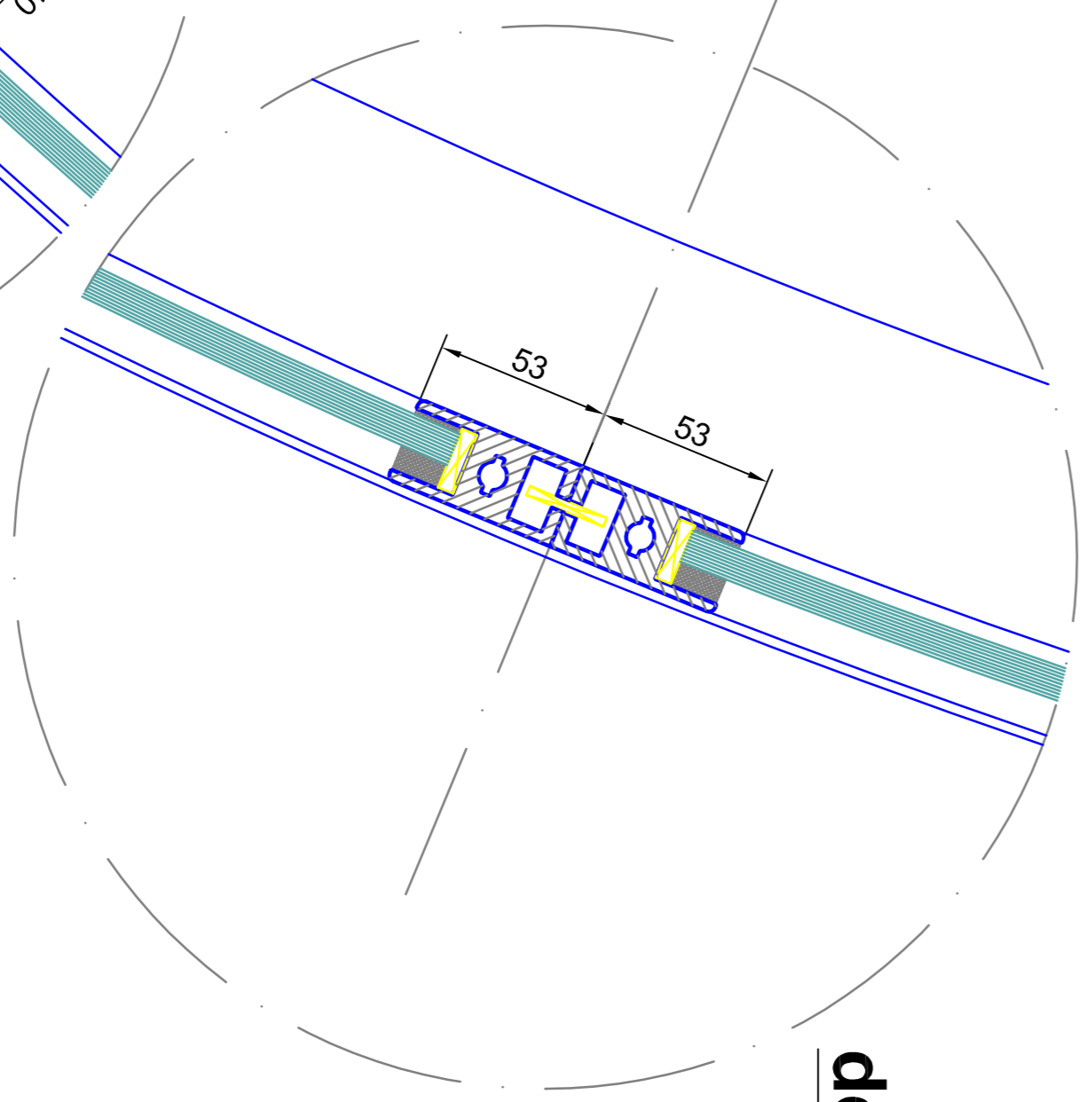


detail A

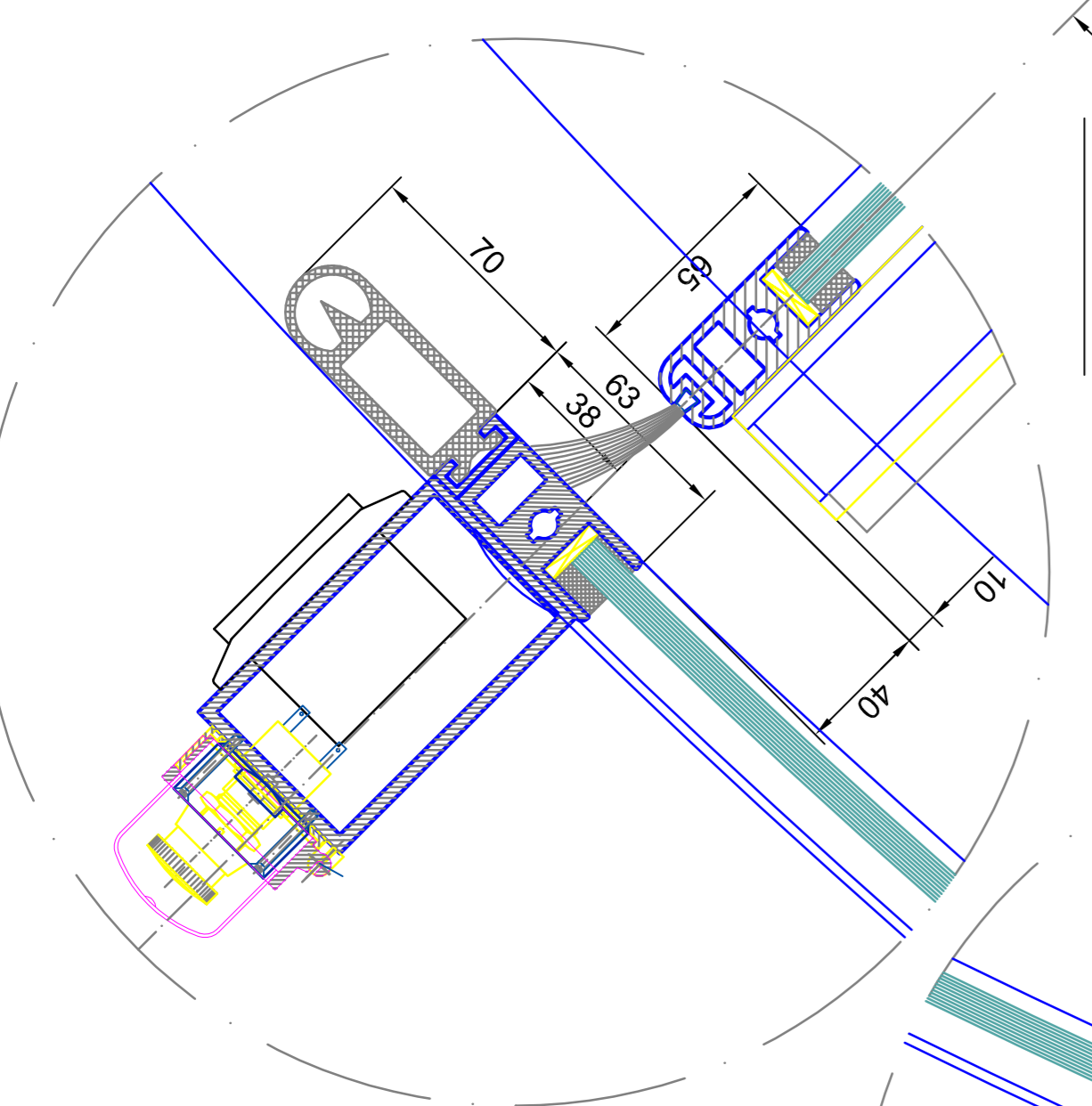


outside

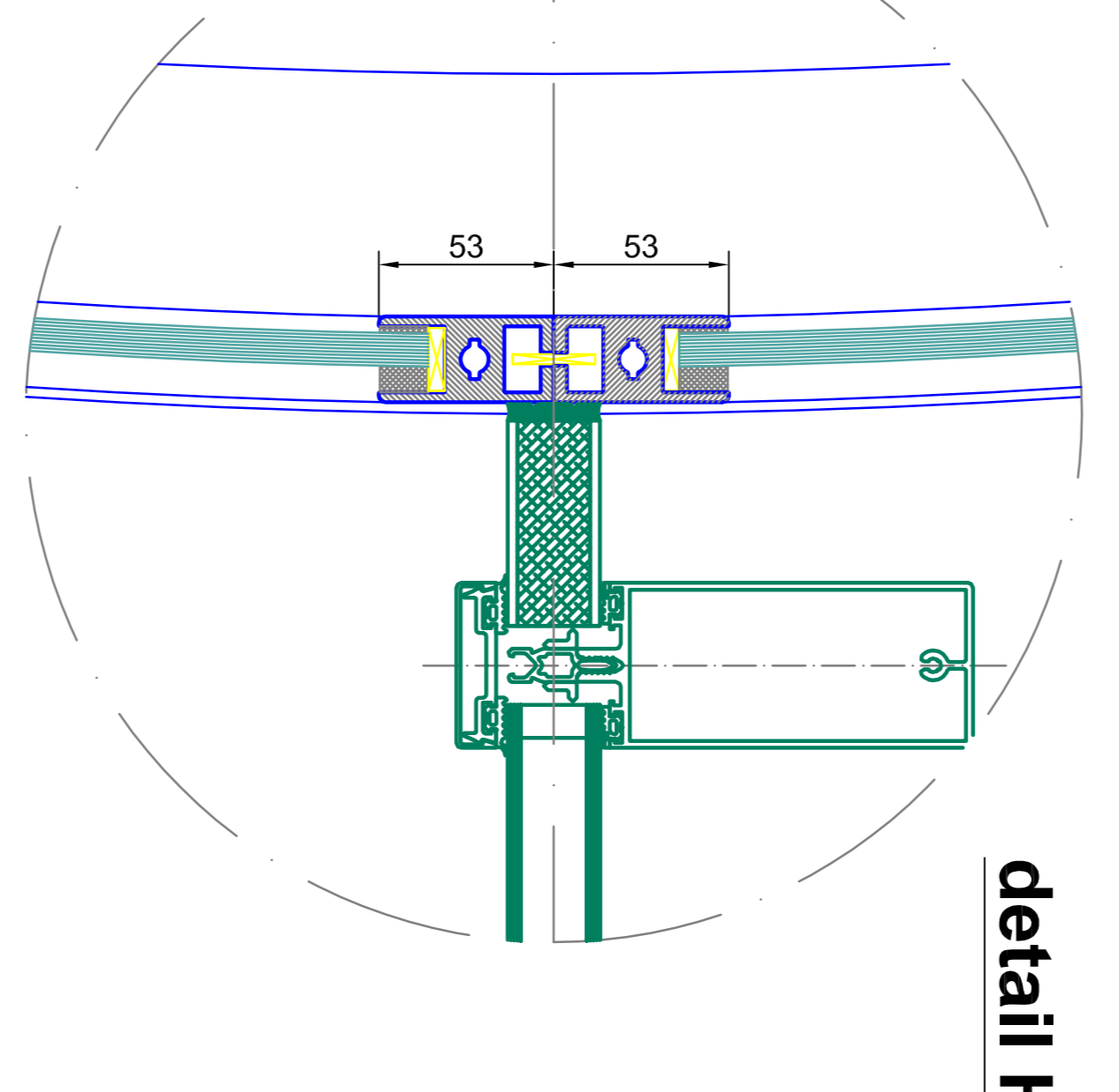
detail I



detail J



detail H



<p>BLASI</p> <p>B L A S I G m b H Automatic Doors Caf. Strada 5-15 D - 11012 Bolzano</p> <p>Tel. +39 0471 / 881 - 281 Fax. +39 0471 / 881 - 288 E-mail: info@blasig.it www.blasi.it</p>	<p>Model: AdAnti2</p> <p>Project: K41-VN1-50 Break Out</p> <p>Configuration: SAMPLE DRAWING ONLY</p>	<p>Material: tempered safety glass 10 mm</p> <p>Material: tempered safety glass 10 mm</p>	<p>Material: tempered safety glass 10 mm</p> <p>Material: tempered safety glass 10 mm</p>
--	---	---	---