

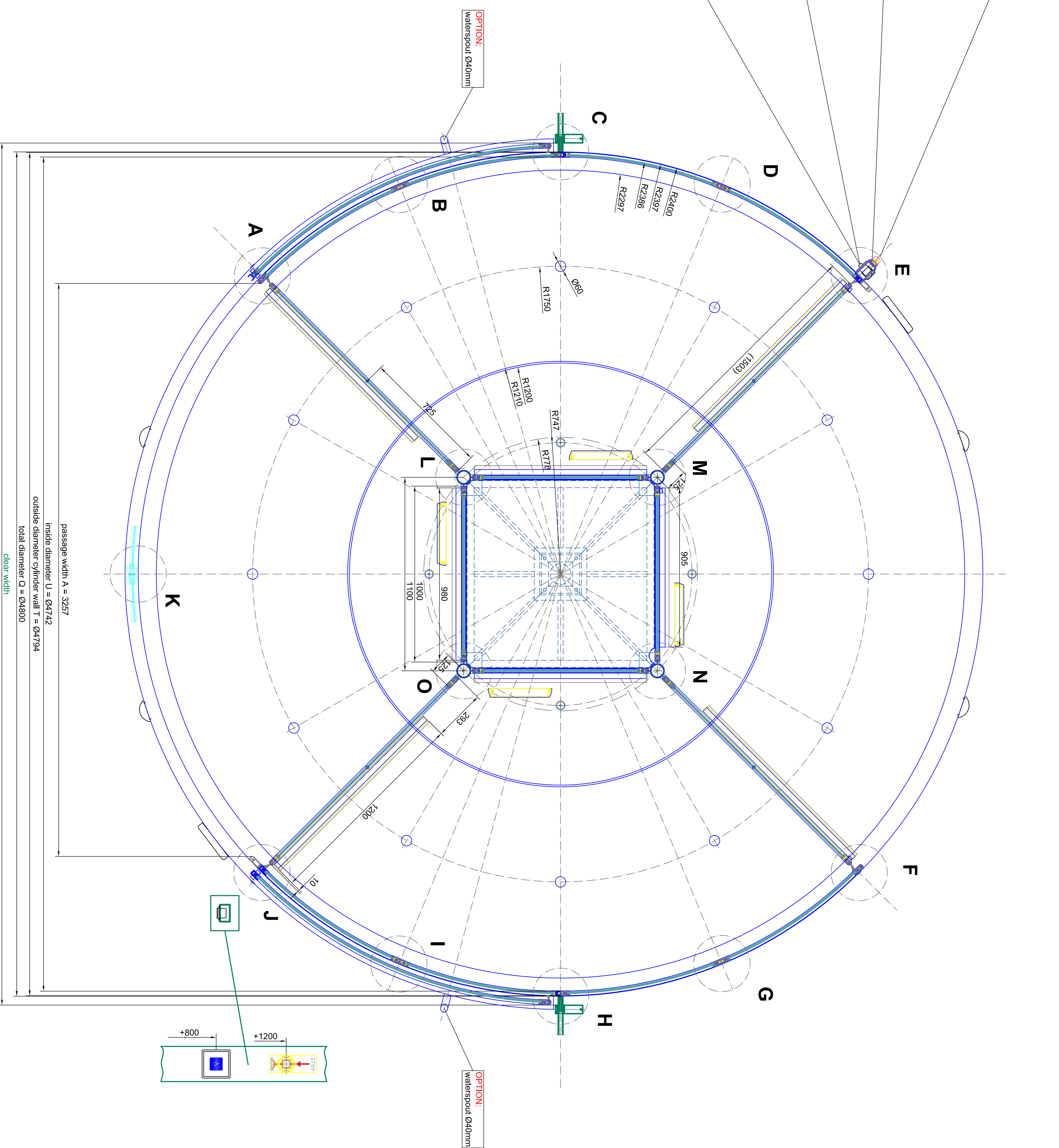
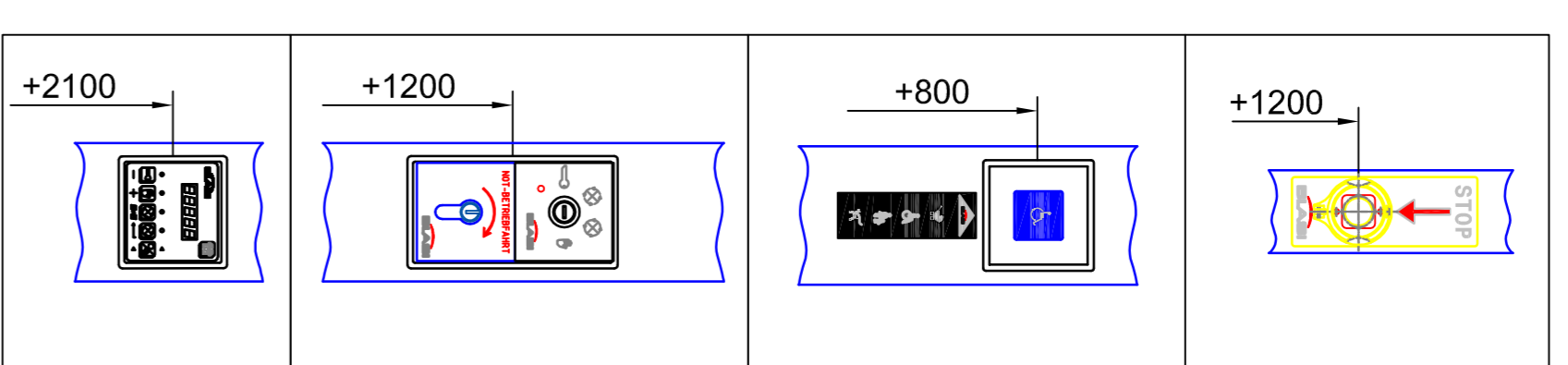
Scale:	A0-M 1:2
Project:	K41-V/IN/MA-48 Break Out
Client:	BLASI
Author:	...
Checker:	...
Approver:	...
Date:	...
Page:	01
Total Pages:	05

BLASI

BLASI G m.b.H.
Automatic Doors
Ost-Bez-Straße 5-15
D-71737 Murrberg

Tel. +49(0)727 / 883-289
Fax. +49(0)727 / 883-288
E-mail: info@blasi.de
www.blasi.de

BLASI
K41-V/IN/MA-48 Break Out
SAMPLE DRAWING ONLY



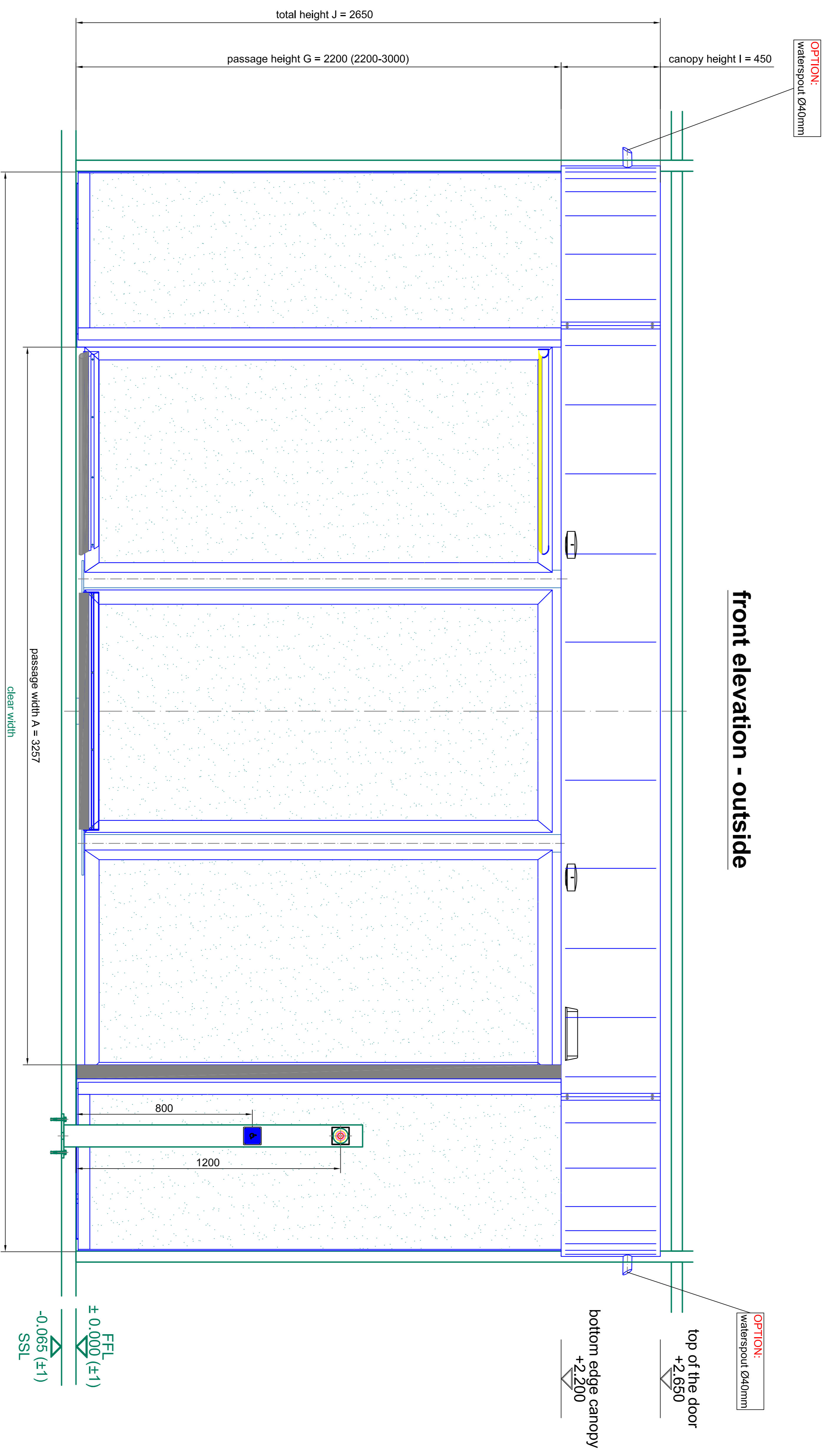
passage width A = 3257
 inside diameter U = Ø4742
 outside diameter cylinder wall T = Ø4794
 total diameter O = Ø4800
 clear width

outside

inside

horizontal section - door in standard position

		BLASI Automatic Doors Via S. Maria 10 - 40138 Bologna (BO) - Italy Tel. +39 0521 881 291 Fax +39 0521 881 299 Email: info@blasi.it WWW: blasi.it	
Model: AE-H10 Code: K41-V/IN/MA-48 Description: Break Out SAMPLE DRAWING ONLY	Material: Aluminum Color: White Glass: Laminated safety glass 10 mm	Safety: Temperature safety glass 10 mm Weight: 304 kg Height: 2100 mm Width: 3257 mm	Reference: EN 12444 Standard: EN 12444 Compliance: CE



Standard	EN 16013 (2005)	EN 16013 (2005)
Door type	304 44	(EN 16013)
Glass type	tempered safety glass 10 mm	laminated safety glass 10 mm

BLASI

BLASI G m b H
Automatic Doors
Caf. Dep. Street 5-16
D - 71972 Tübingen

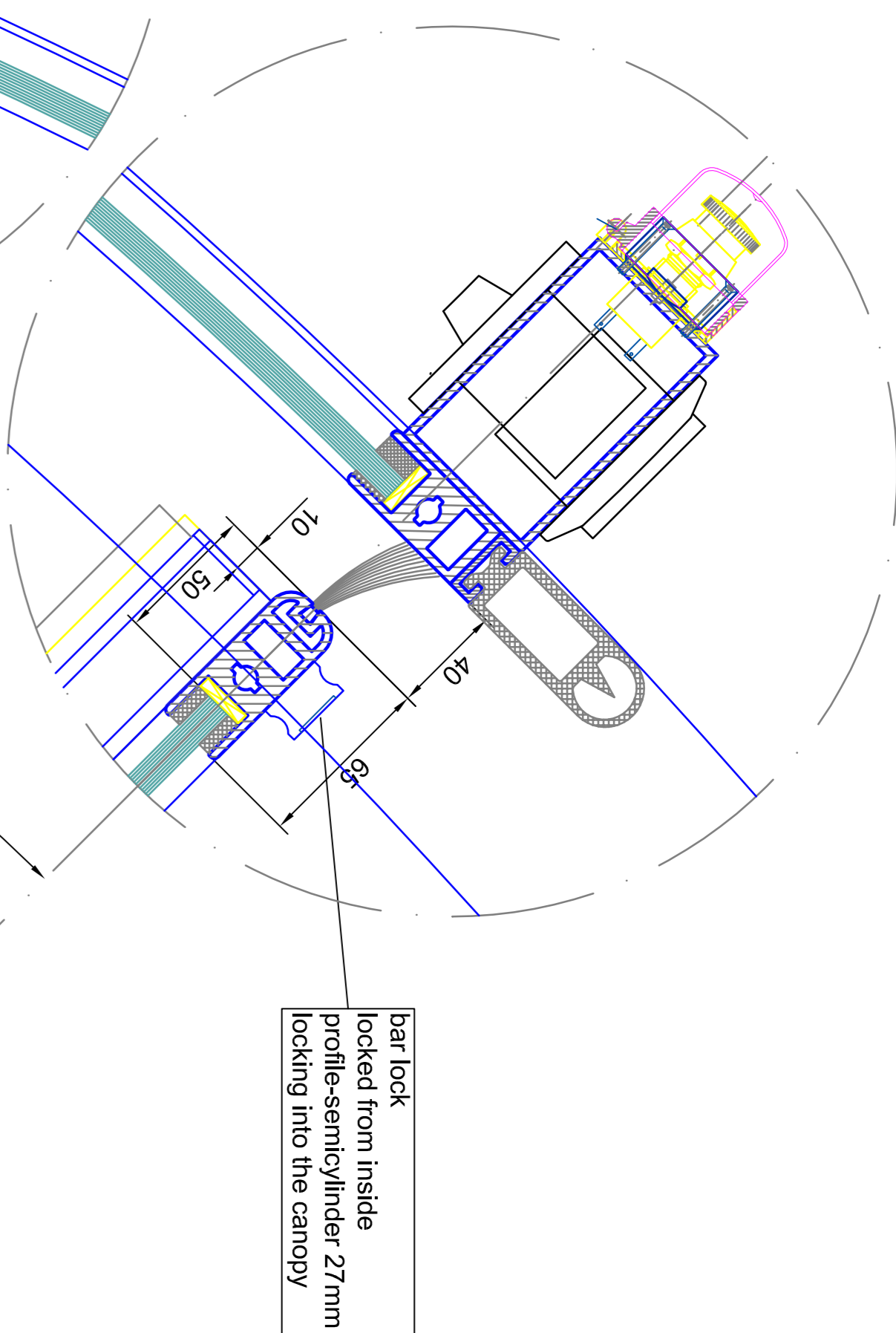
Tel. +49(0)7142 / 883 - 291
Fax. +49(0)7142 / 883 - 299
E-mail: info@blasi.de
www.blasi.de

Project: K41-VIWINMA-48 Break Out
SAMPLE DRAWING ONLY

Scale: A4=1:10
Date: 2024

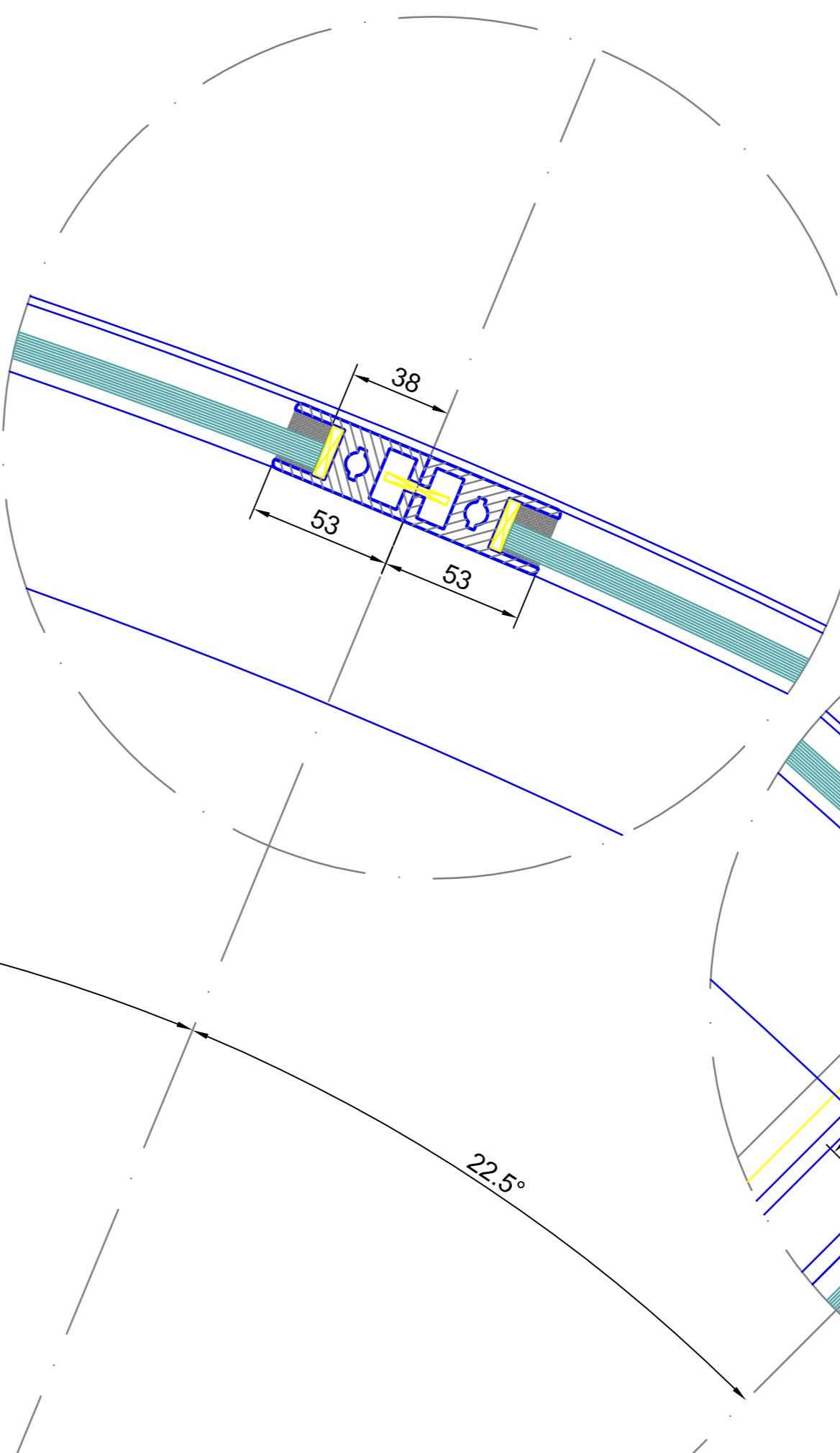
Page: 04 of 05

detail E

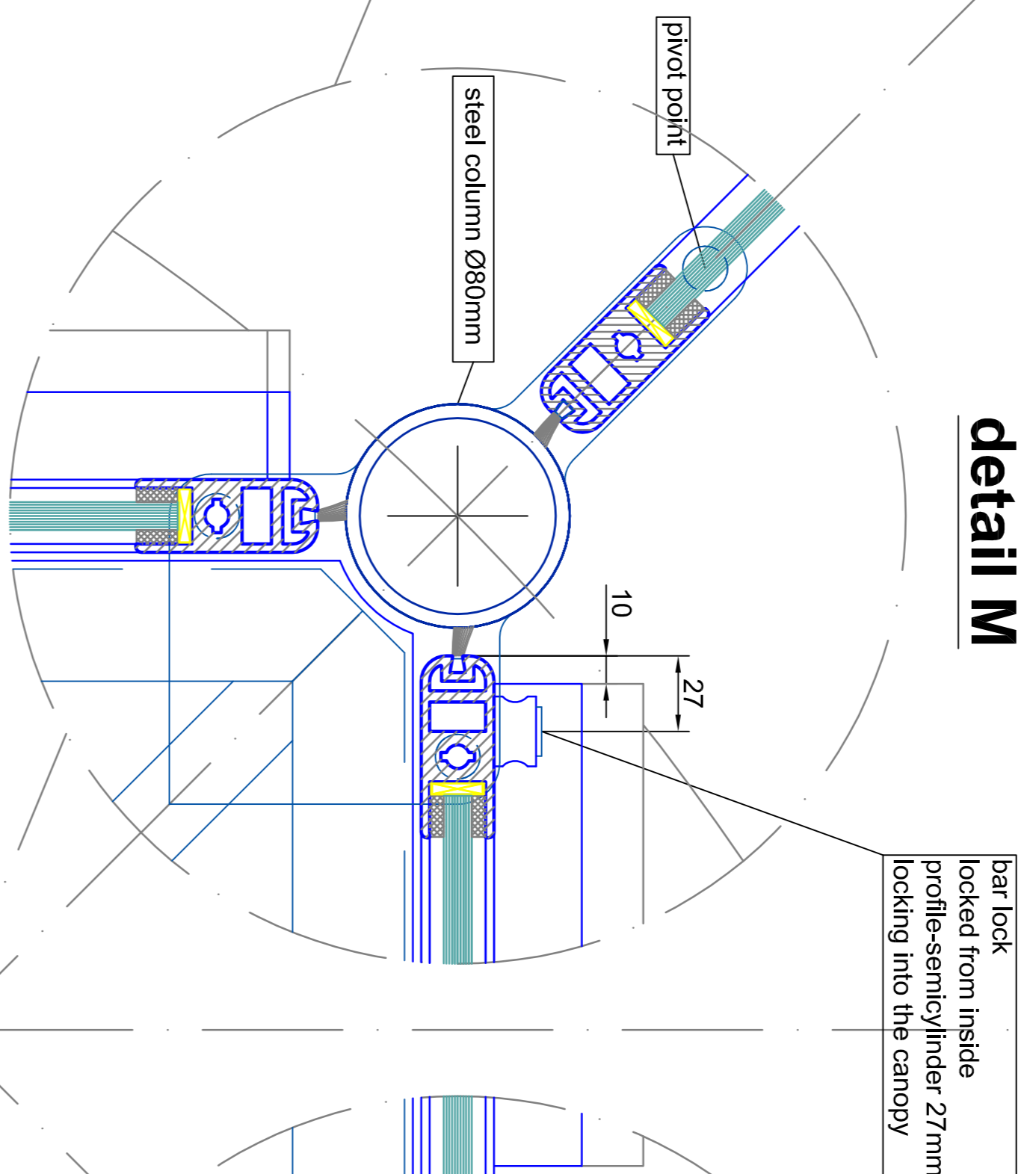


inside

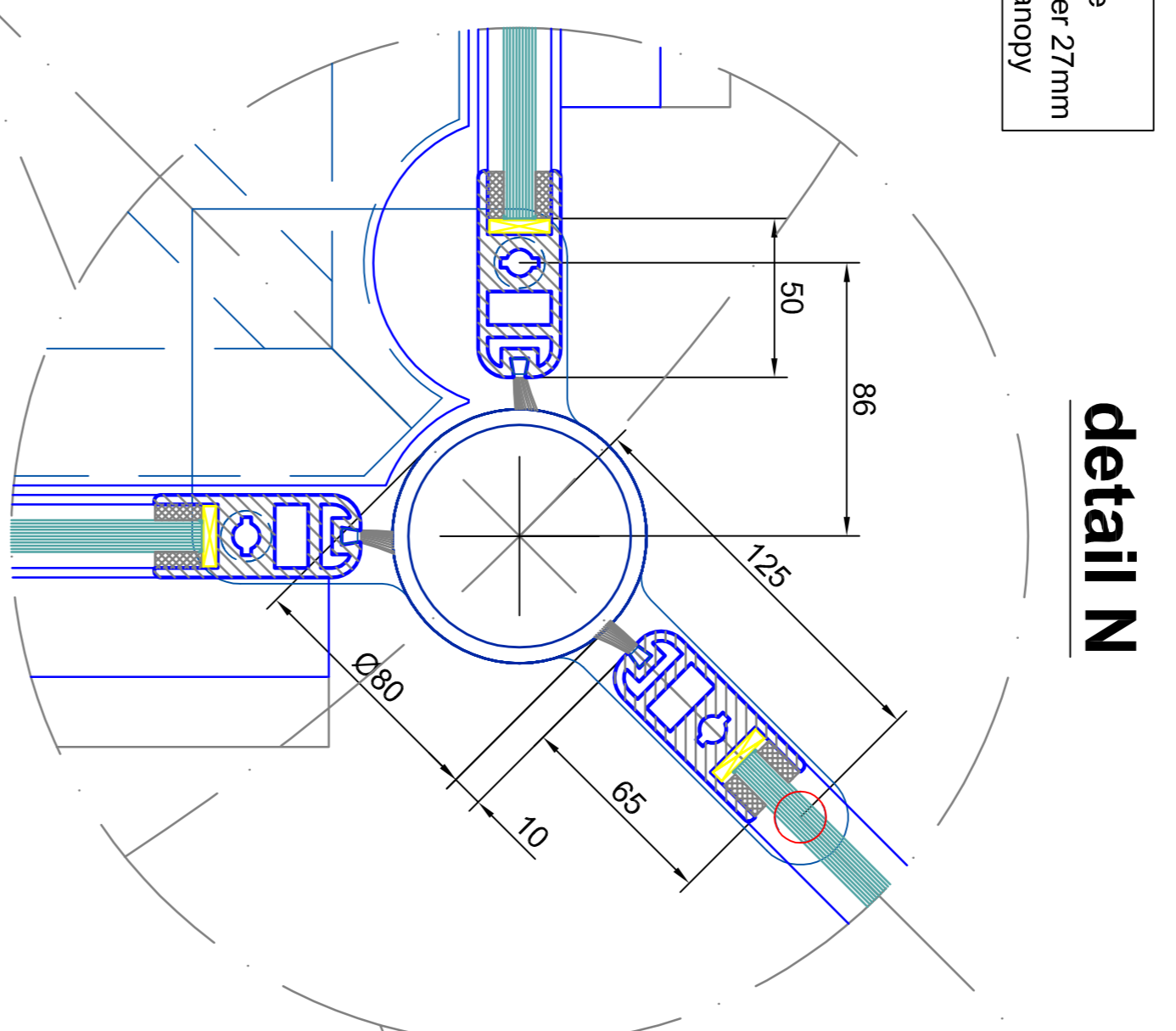
detail D



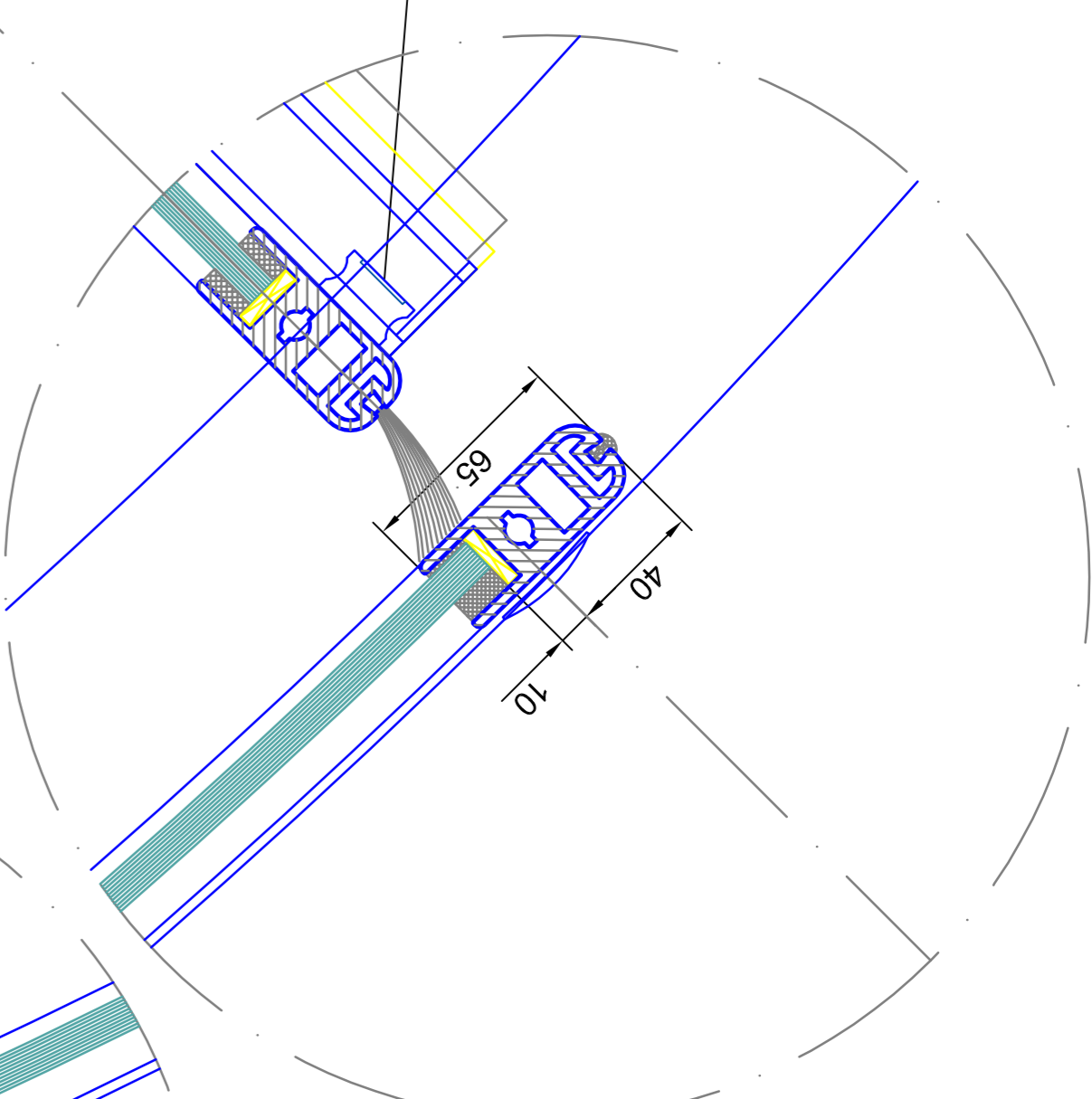
detail M



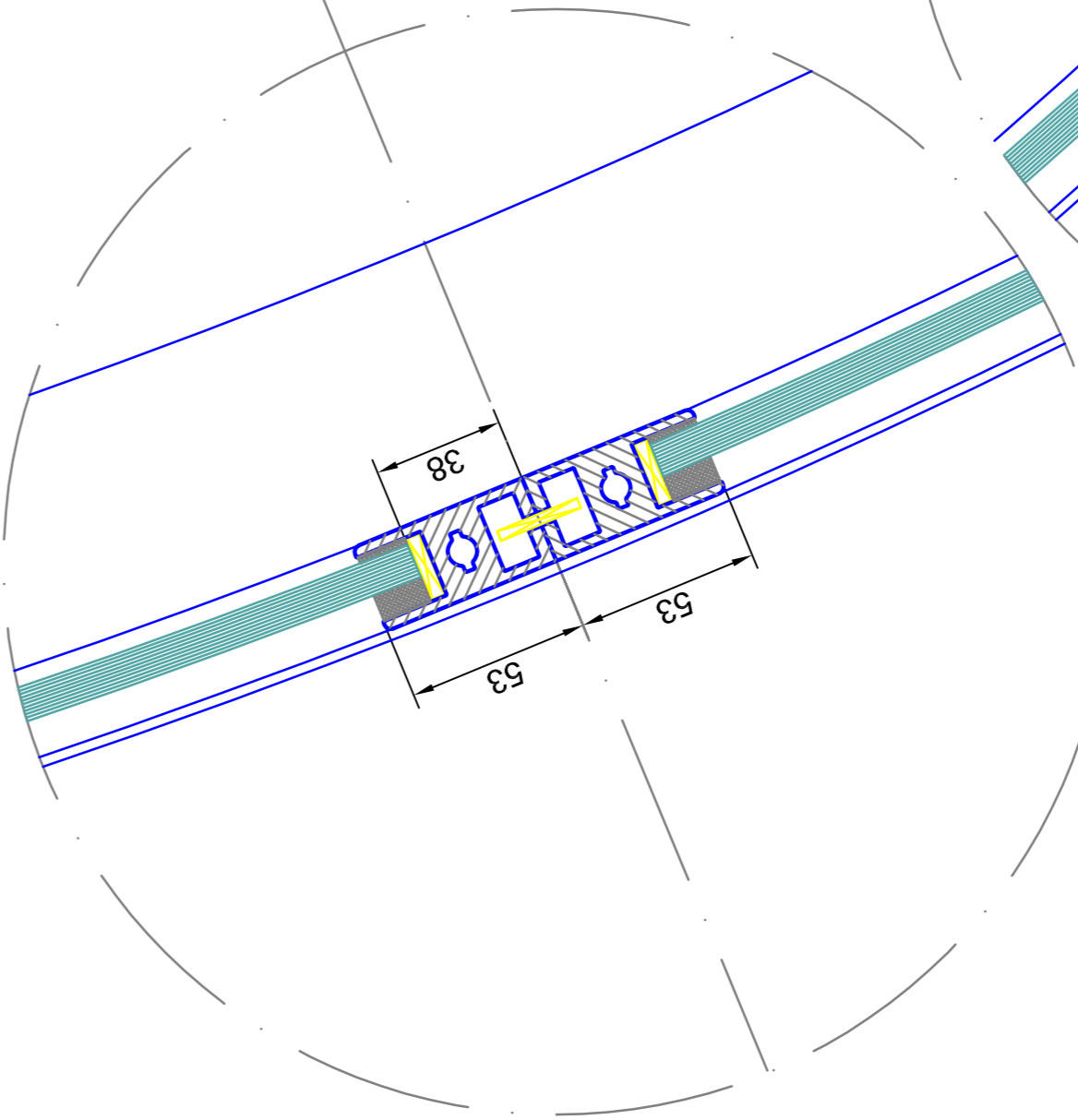
detail N



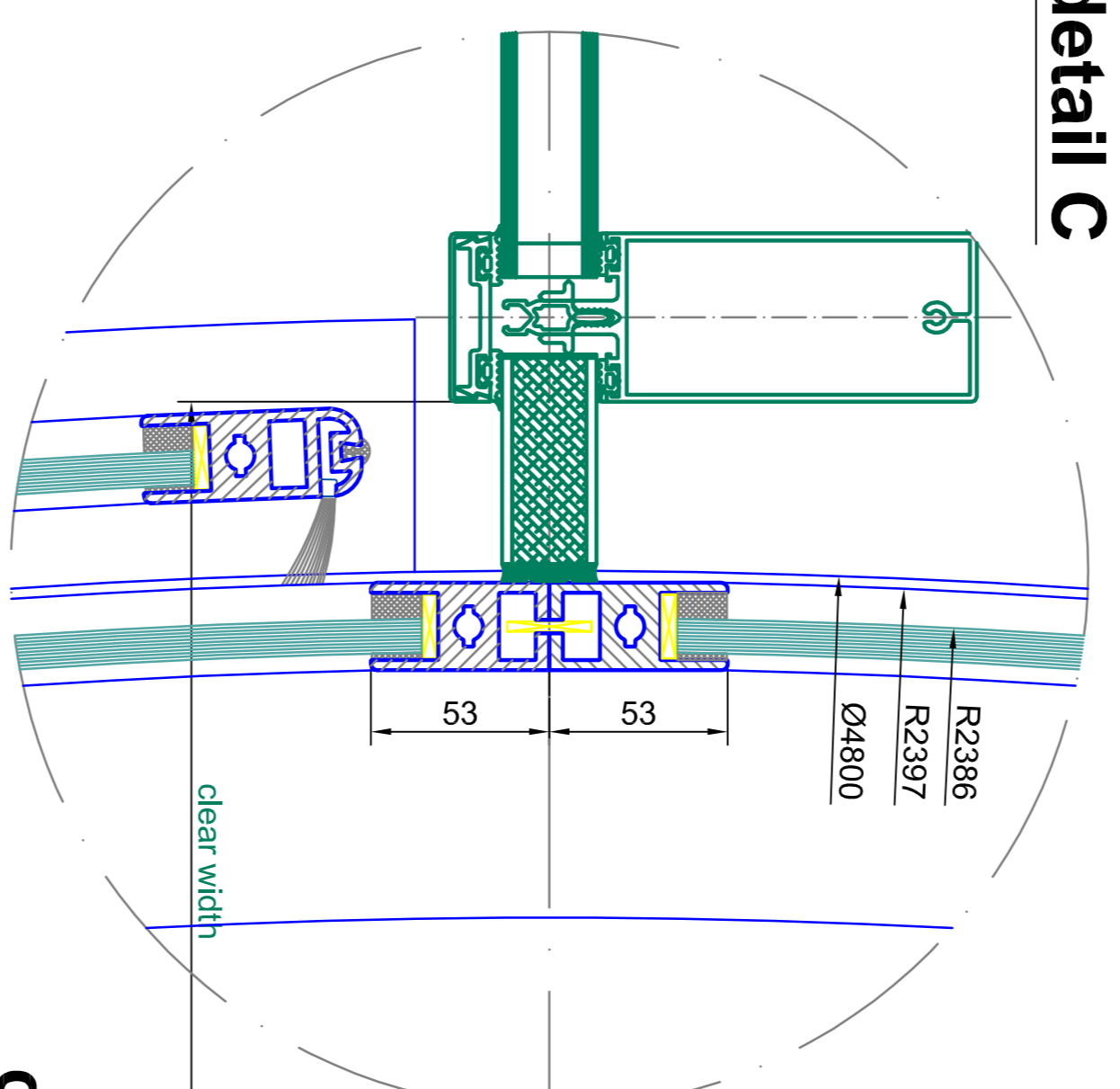
detail F



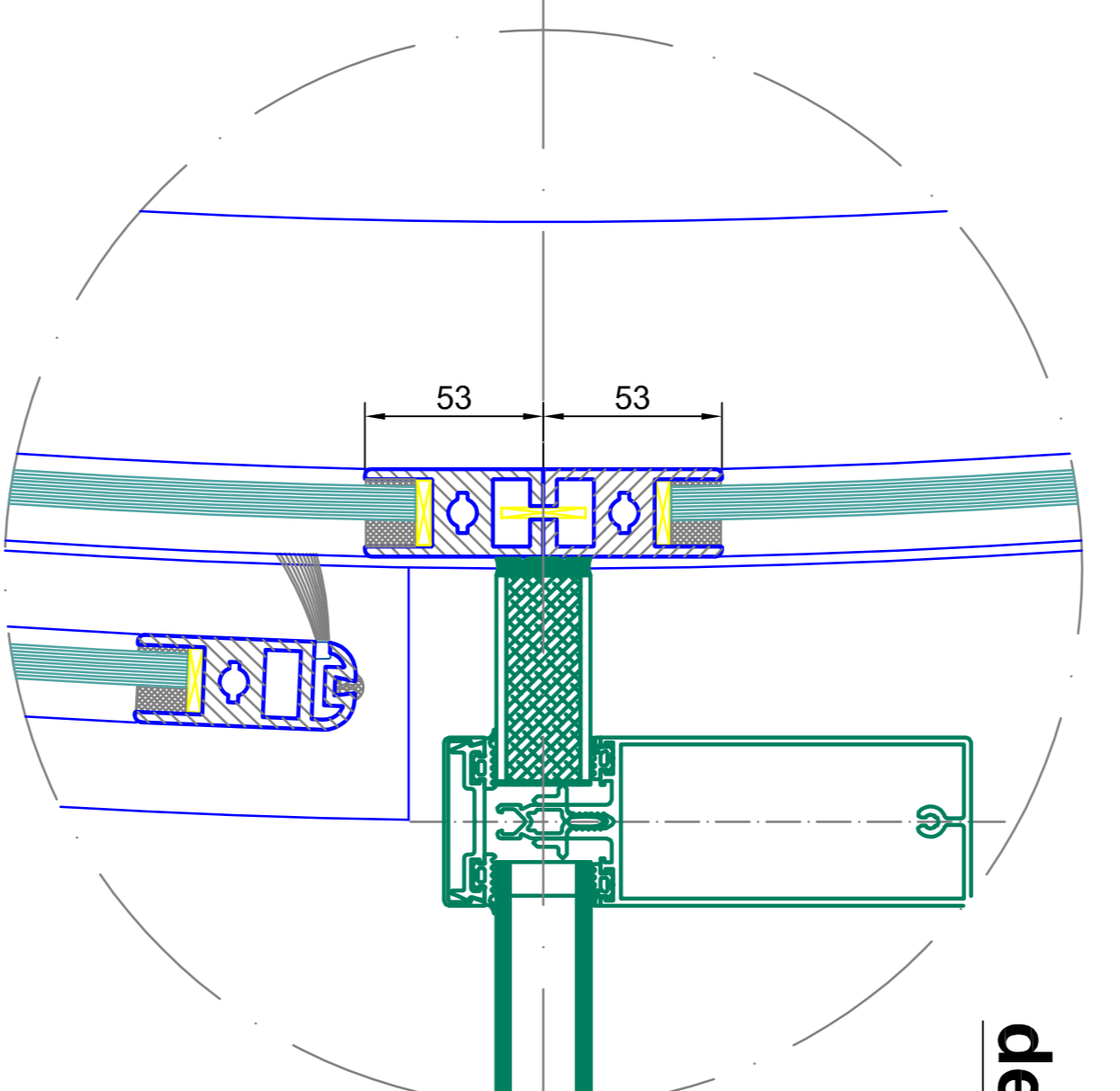
detail G



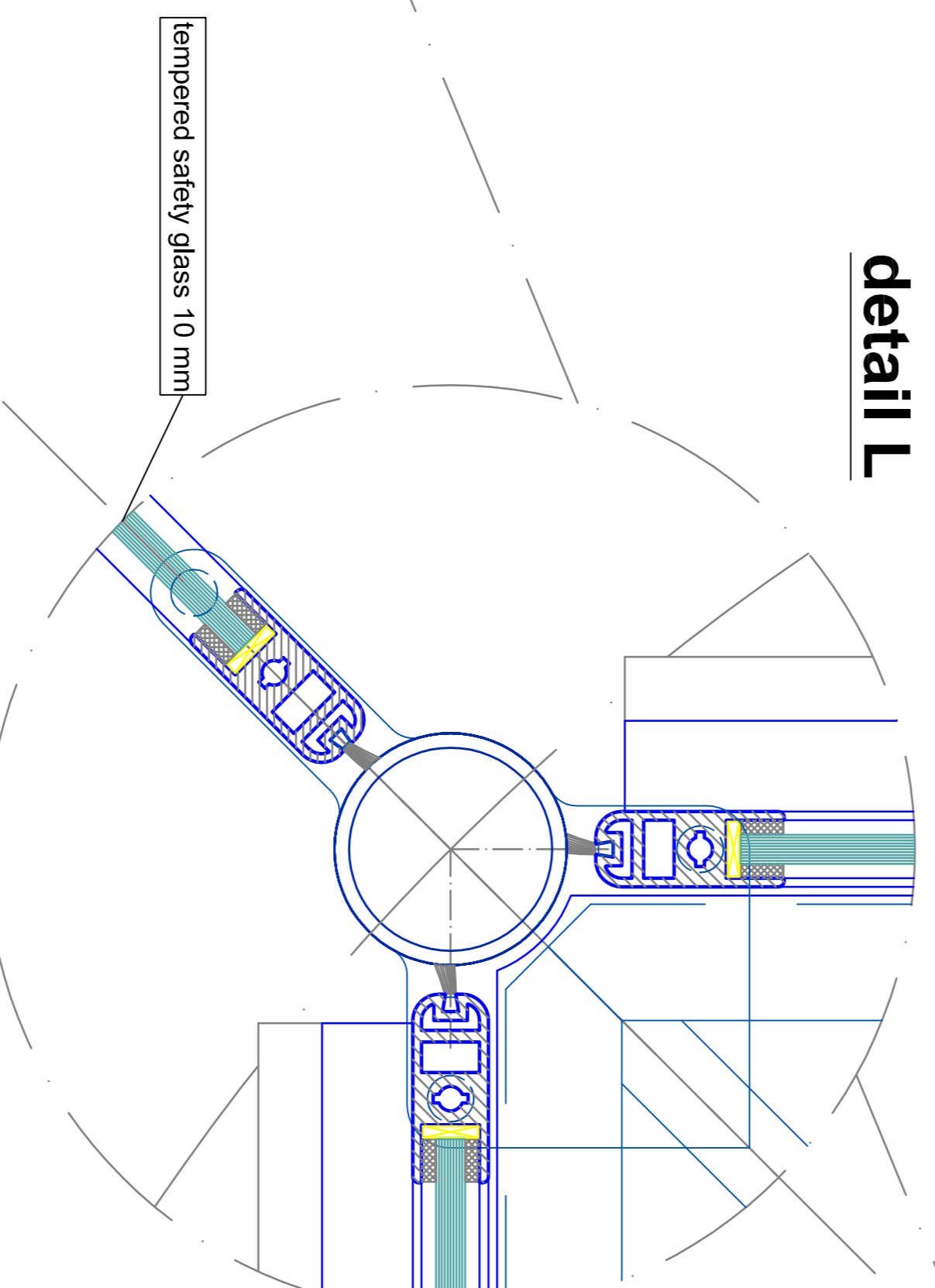
detail C



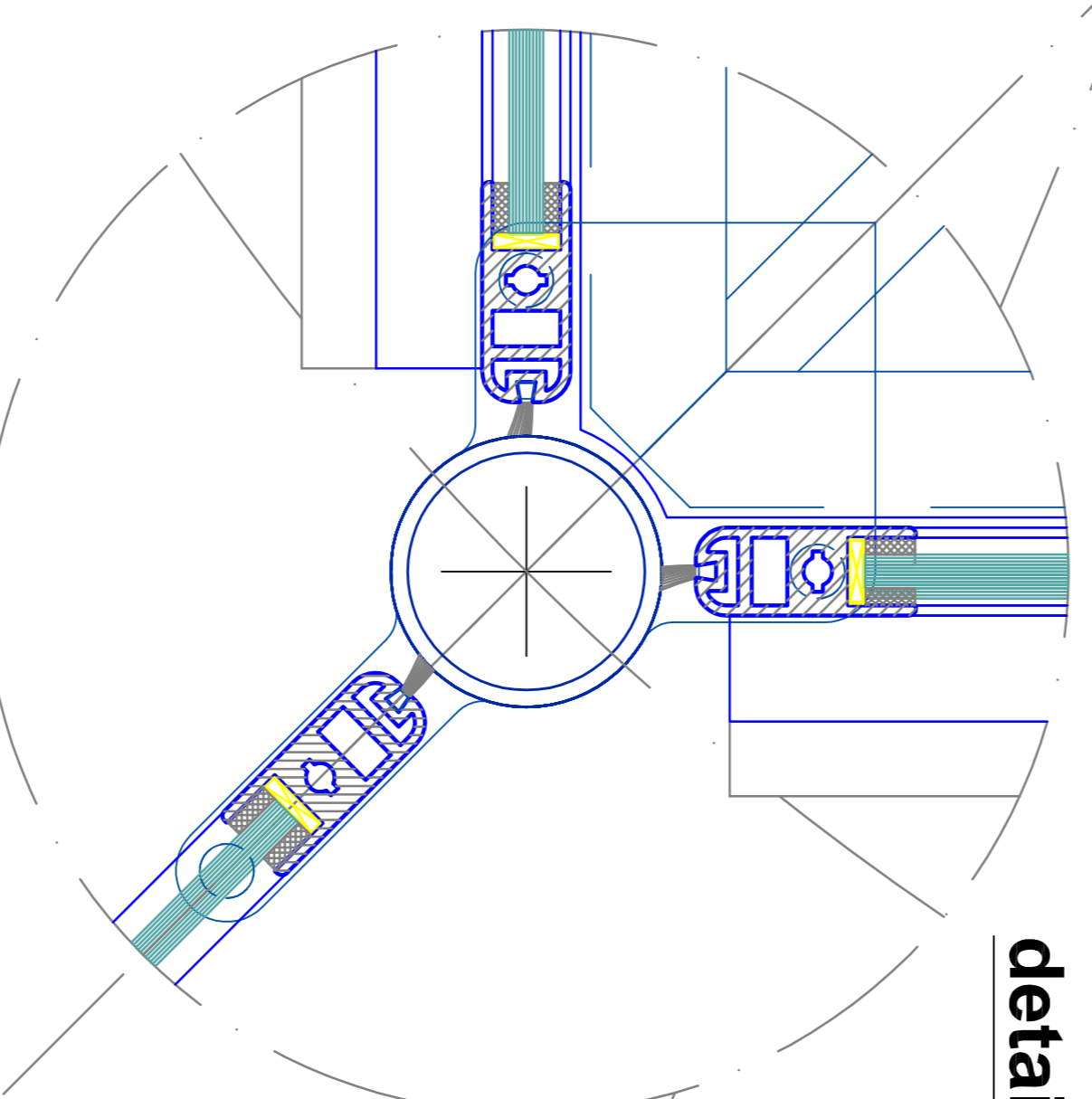
detail H



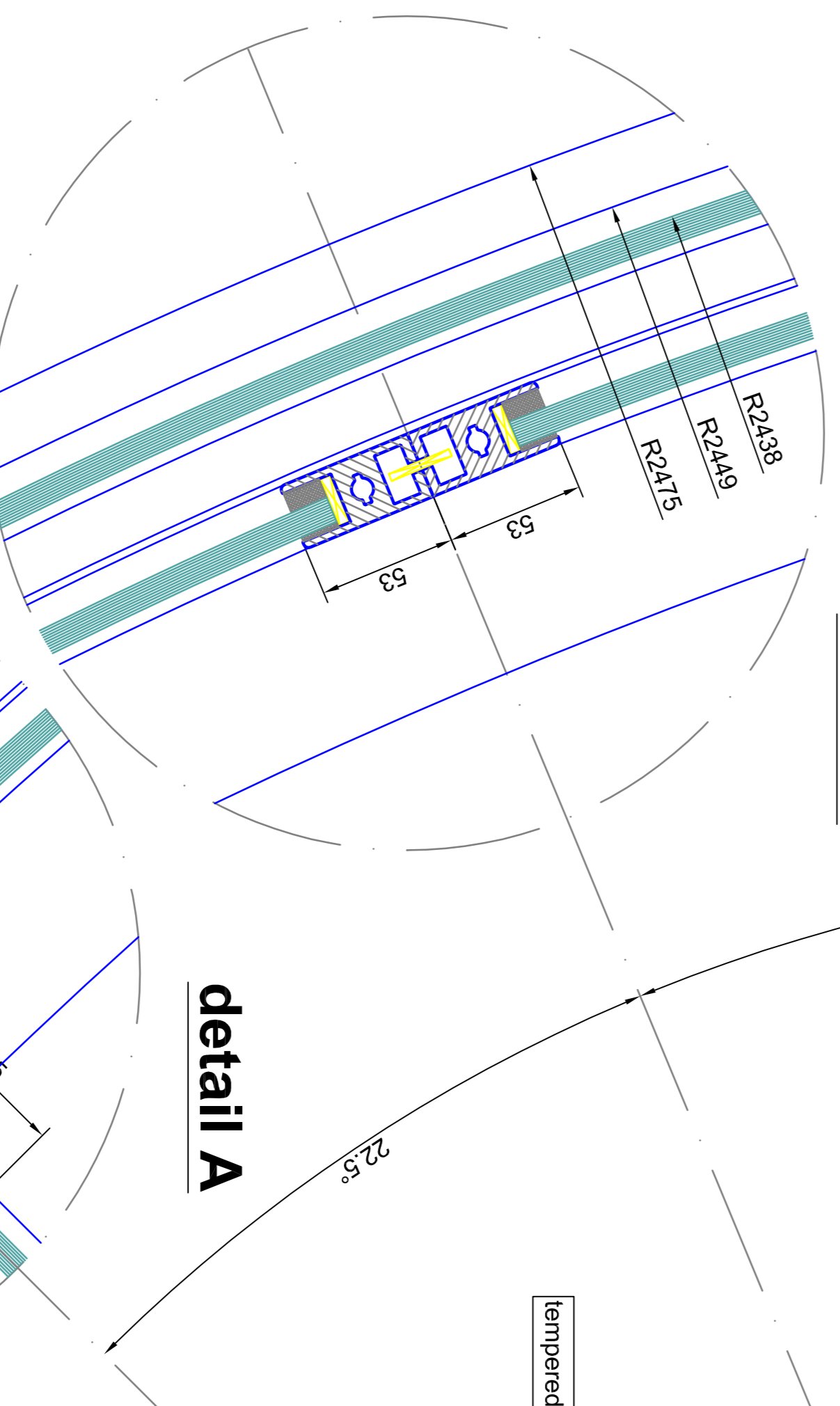
detail L



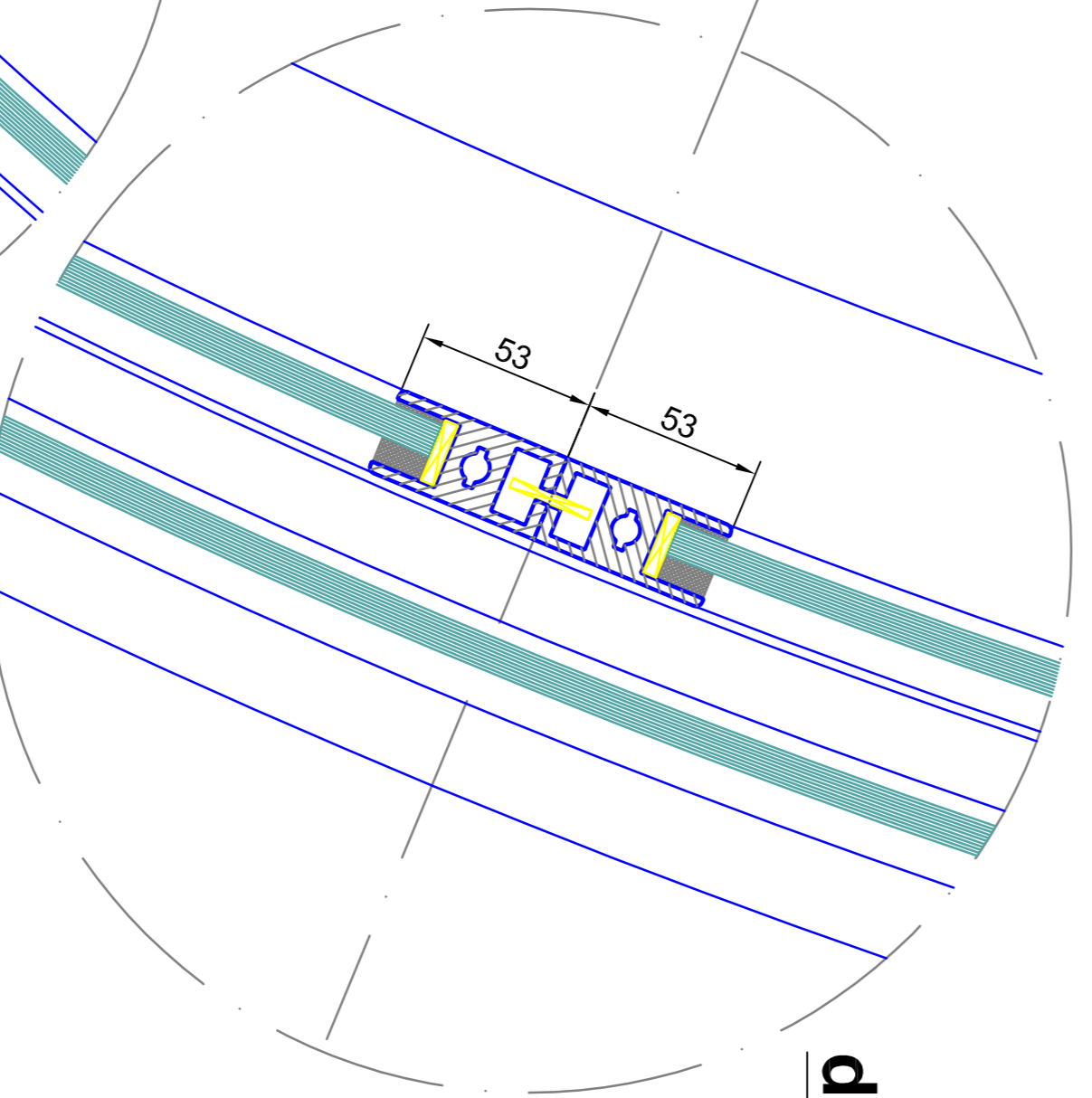
detail O



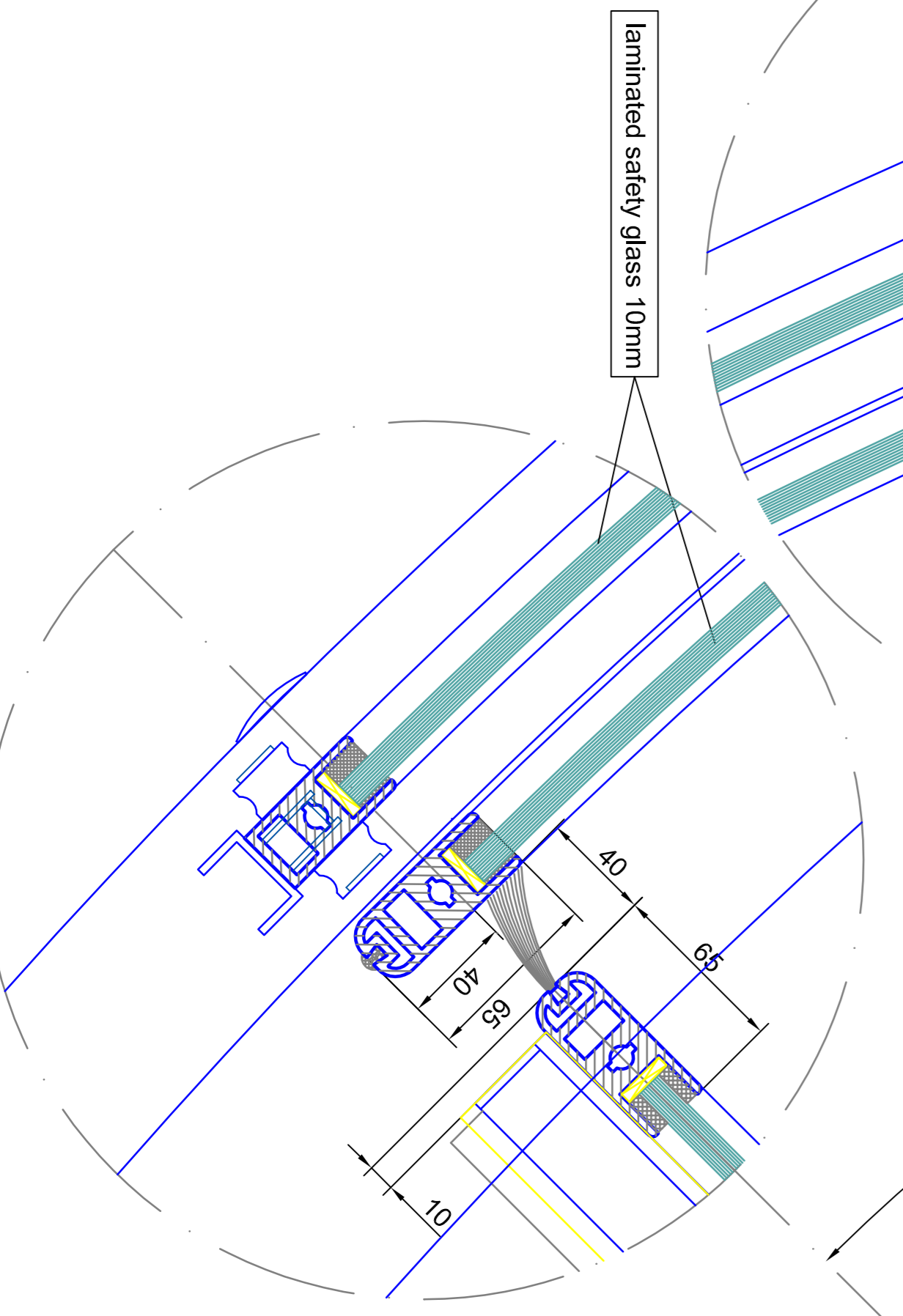
detail B



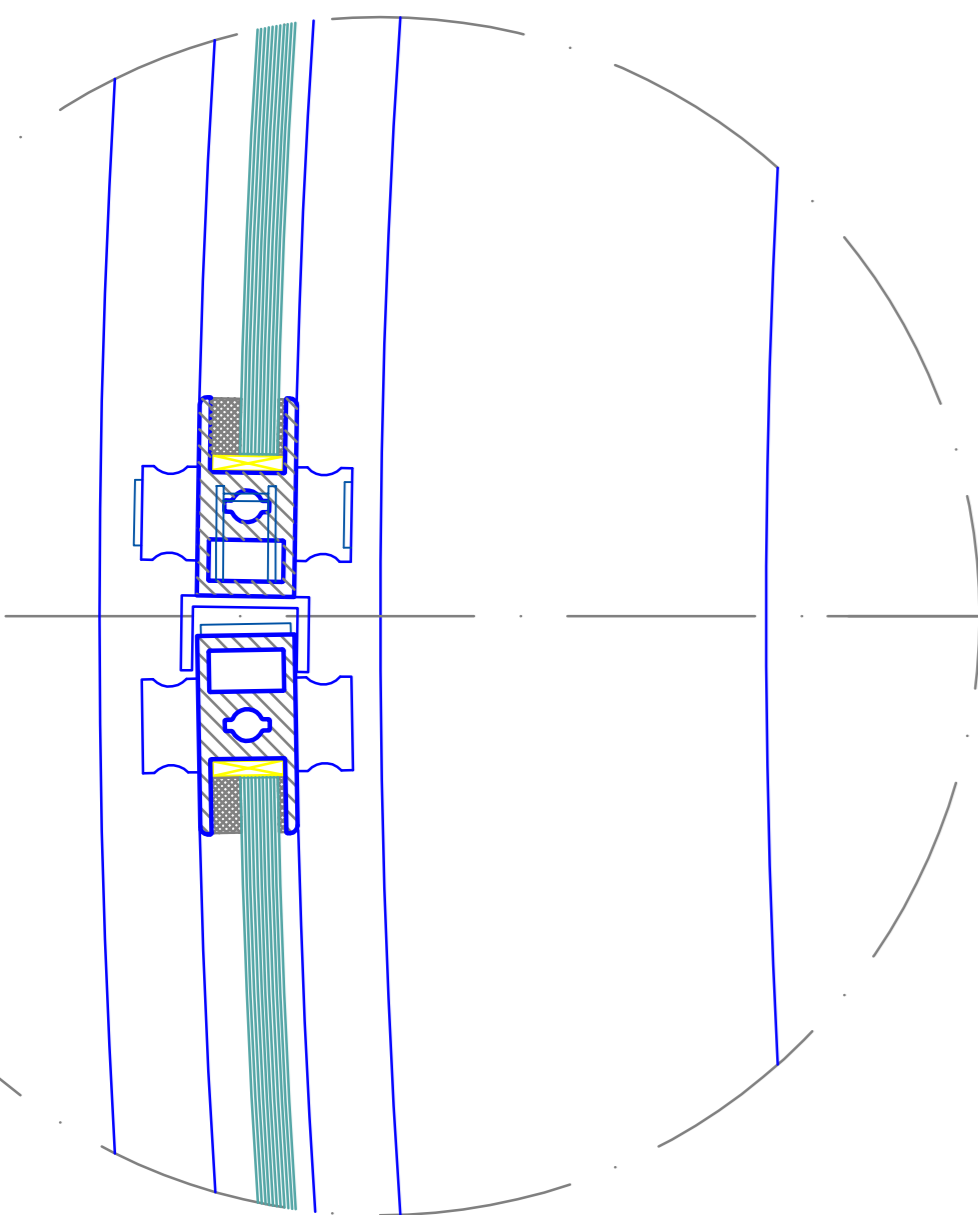
detail I



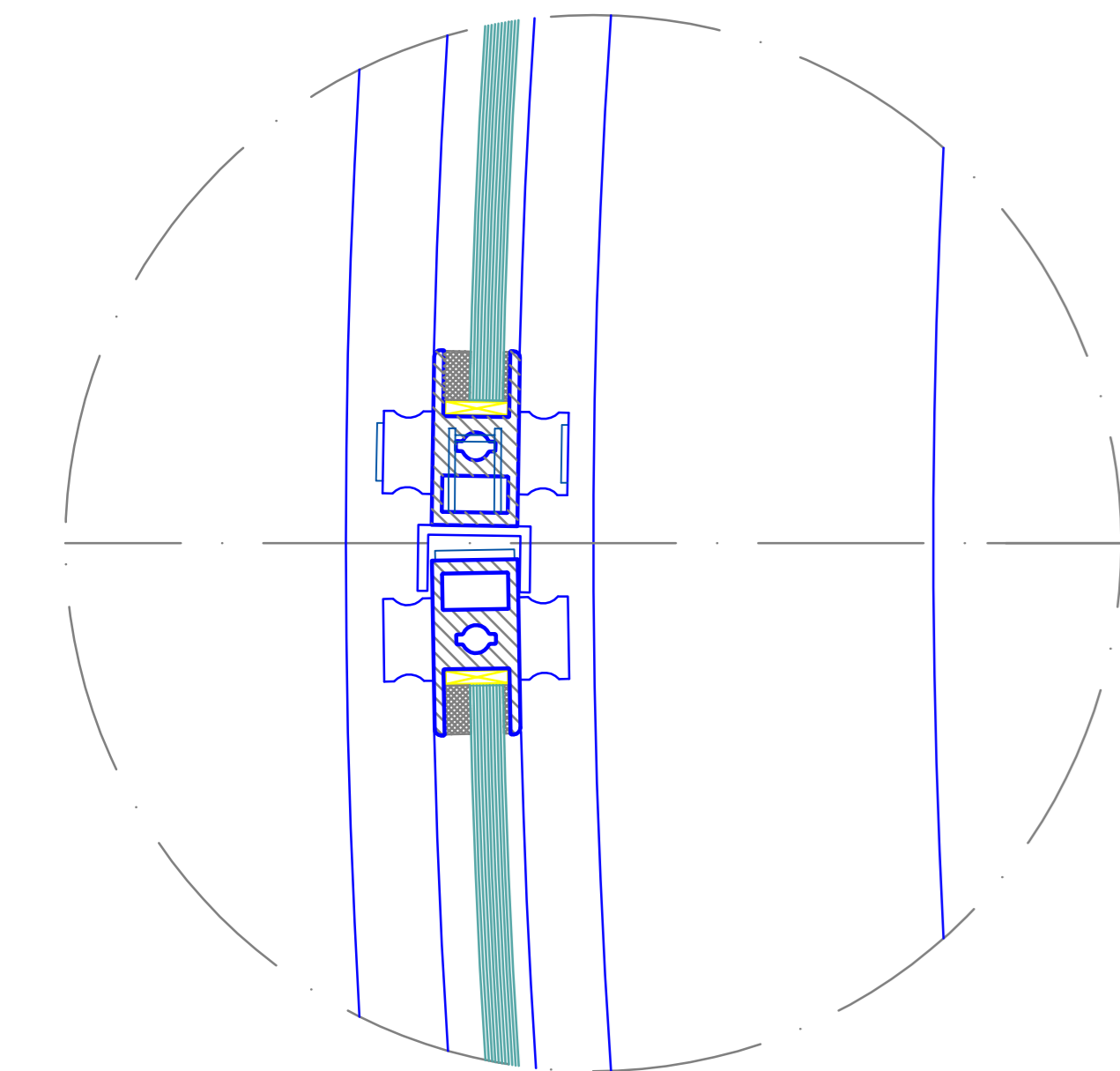
detail A



detail K



outside



Standard	EN 11253-1	EN 11253-2
Material	Aluminum	Aluminum
Finish	Black	Black
Weight	0.14 kg	0.14 kg
Dimensions	100 x 100 x 100 mm	100 x 100 x 100 mm
Notes	1. All dimensions are in mm unless otherwise specified. 2. All dimensions are in mm unless otherwise specified. 3. All dimensions are in mm unless otherwise specified.	1. All dimensions are in mm unless otherwise specified. 2. All dimensions are in mm unless otherwise specified. 3. All dimensions are in mm unless otherwise specified.
Manufacturer	BLASI	BLASI
Product	K41-VV/MMA-48 Break Out	K41-VV/MMA-48 Break Out
Version	05	05
Date	2023-10-27	2023-10-27
Author
Checker
Approver

BLASI
Automatic Doors
Via S. Maria 10
37060 Sommacampagna (Verona)
Tel. +39 0476 881 231
Fax. +39 0476 881 239
Email. info@blasi.com
www.blasi.com