

outside

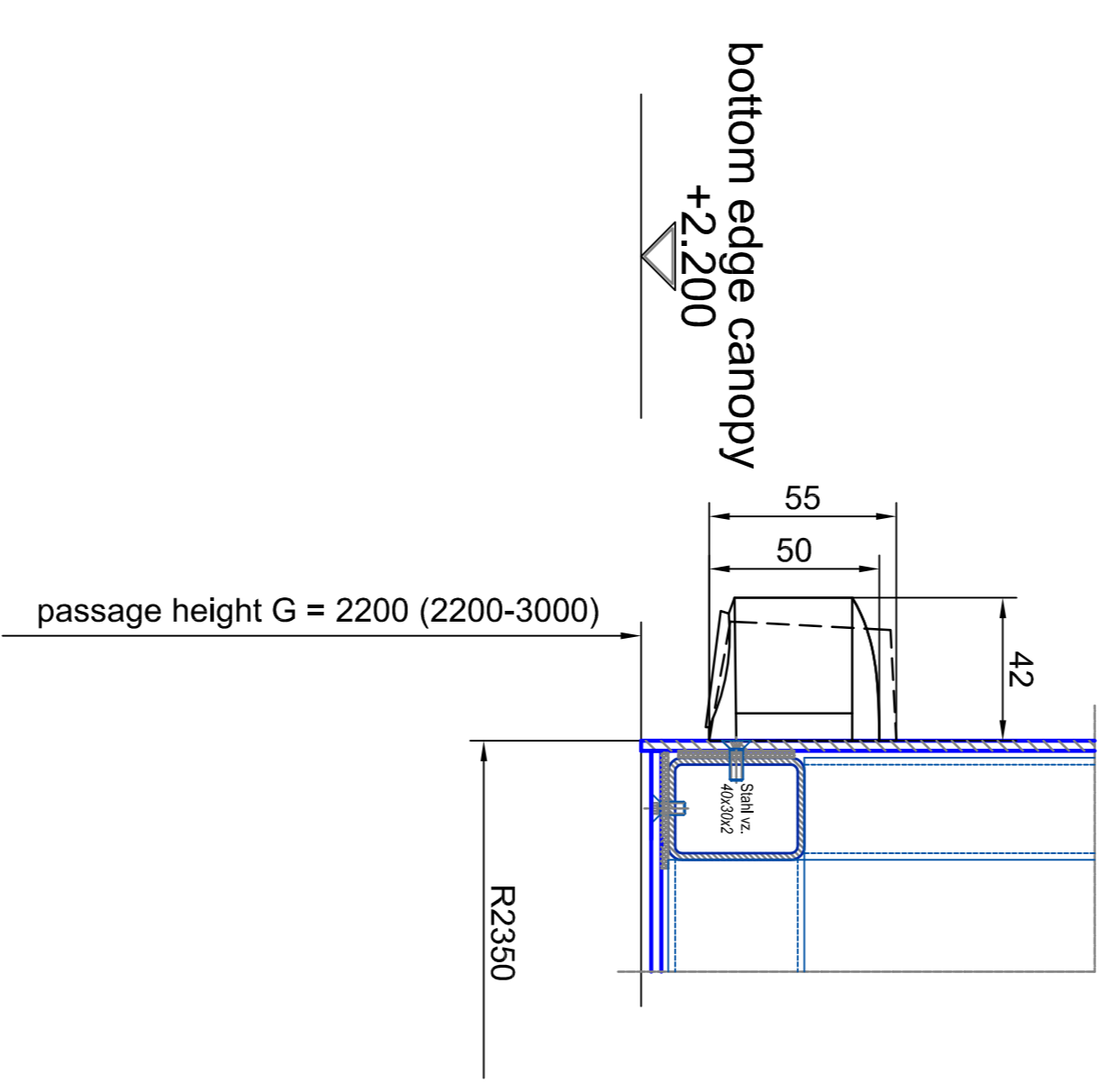
vertical section

inside

top of the door
+2.650

bottom edge canopy
+2.200

vertical section-
passage area
A0 - M 1:2



Material	Material	Material
tempered safety glass 10 mm	tempered safety glass 10 mm	tempered safety glass 10 mm

BLASI

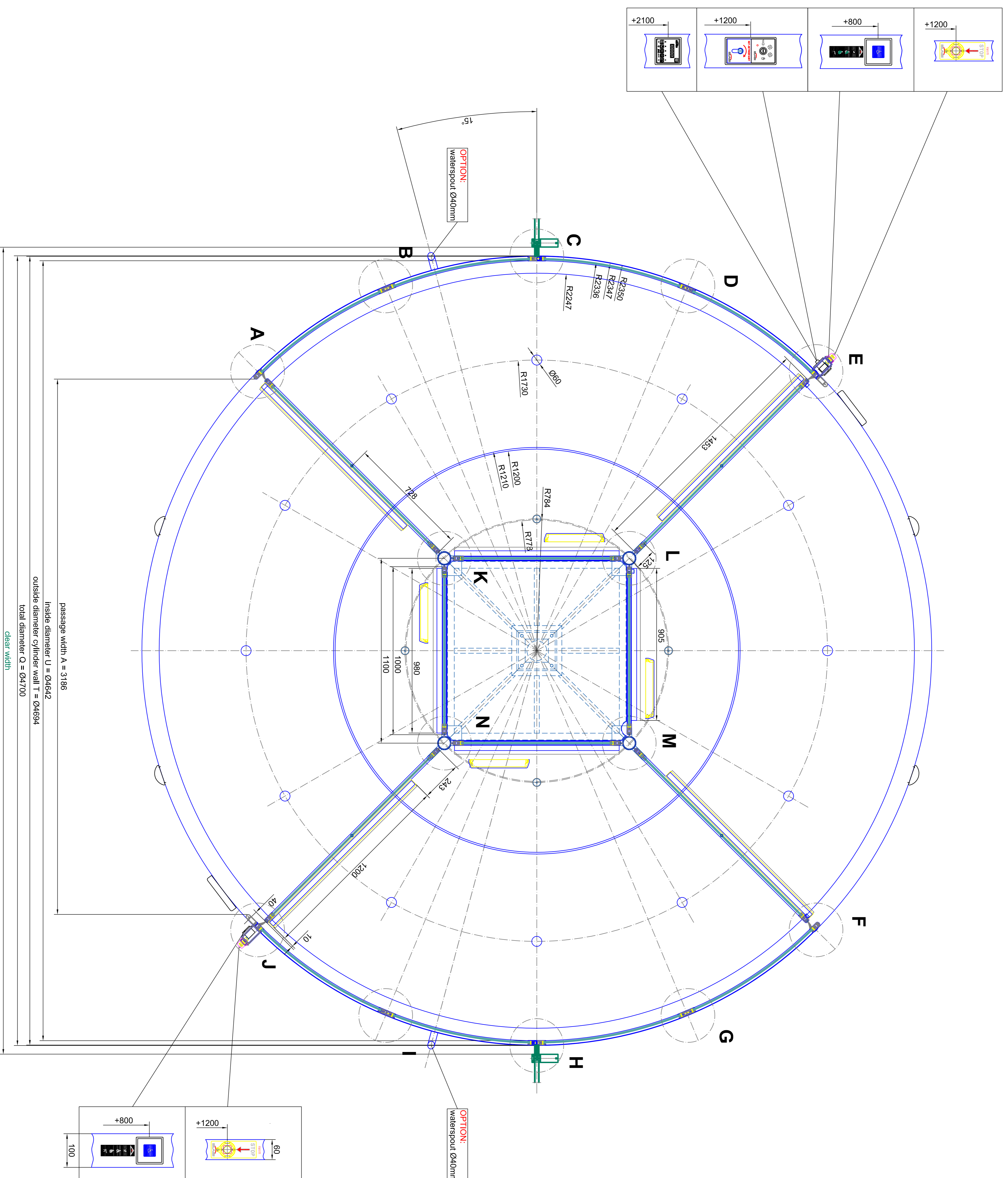
B.L.A.S.I. G. & A. S. r.l.
Autostar Drive
Cell Beer - Street 5-15
D - 77372 Malbom

TEL: +49(0)7 203 - 291
FAX: +49(0)7 203 - 299
E-mail: info@blasio.de
www.blasi.de

Project: **K41-VM47 Break Out**
Status: **SAMPLE DRAWING ONLY**

Scale: 1:10
Date: 01

inside



passage width A = 3186
 inside diameter U = Ø4642
 outside diameter cylinder wall T = Ø4694
 total diameter C = Ø4700
 clear width

outside

horizontal section - door in standard position

Material	tempered safety glass 10 mm	30x45	(EN 1991)	tempered safety glass 10 mm
Material	tempered safety glass 10 mm	30x45	(EN 1991)	tempered safety glass 10 mm

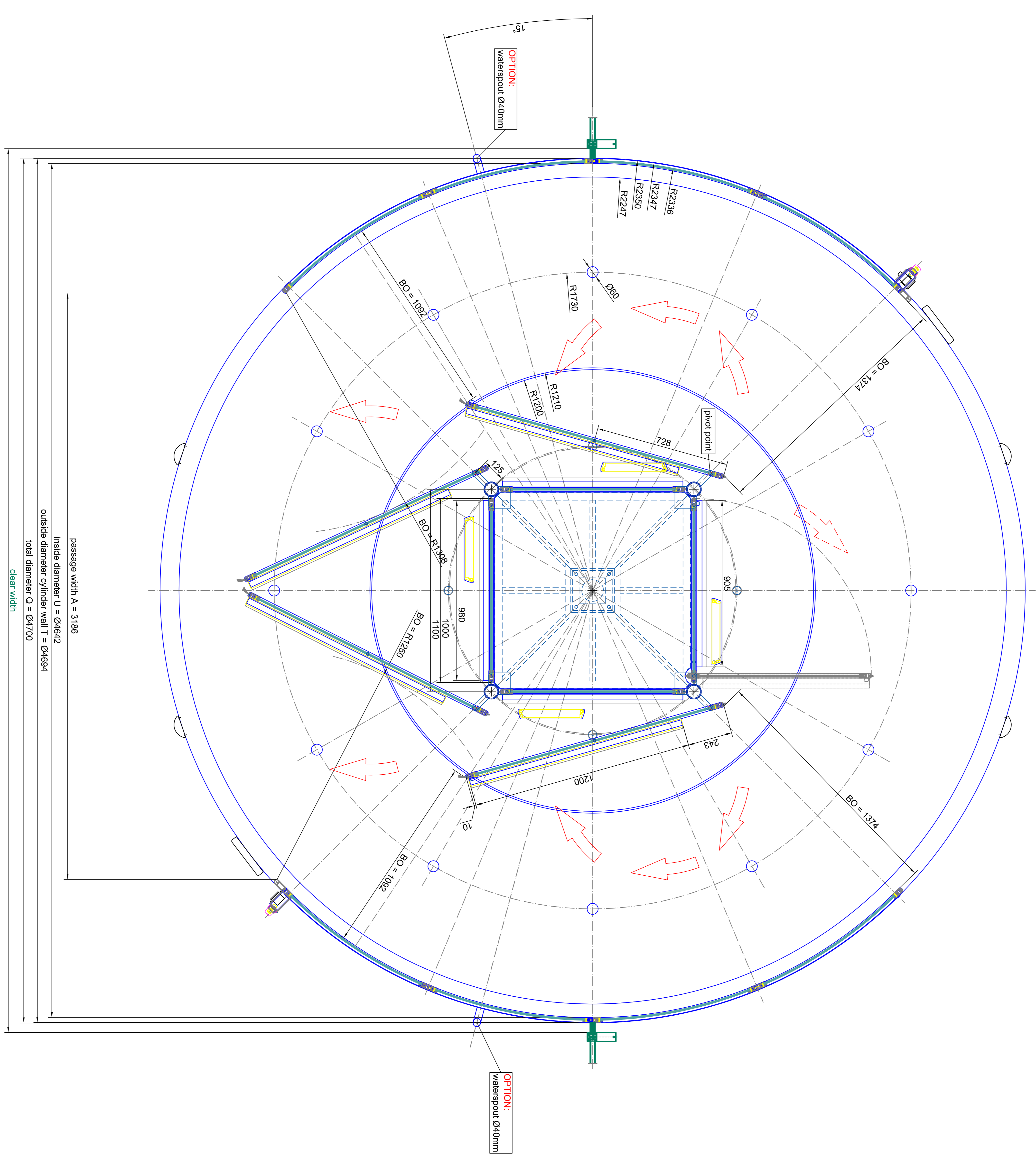
BLASI
 B.L.A.S.I. G. & A. S.p.A.
 Aut. Min. Sc. n. 1000/2011
 Cert. Inter. Steel S. 15
 D. 77972 Malibon

BLASI
 Tel. +39032 / 880 - 291
 Fax. +39032 / 880 - 299
 E-mail: info@blasiglass.it
 www.blasi.info

Model: K41-110
 Code: K41-110-47 Break Out
 Project: SAMPLE DRAWING ONLY

Scale: 1:50
 Date: 02/05

inside



passage width A = 3186
 inside diameter U = Ø4642
 outside diameter cylinder wall T = Ø4694
 total diameter Q = Ø4700
 clear width

outside

horizontal section - door in break out position

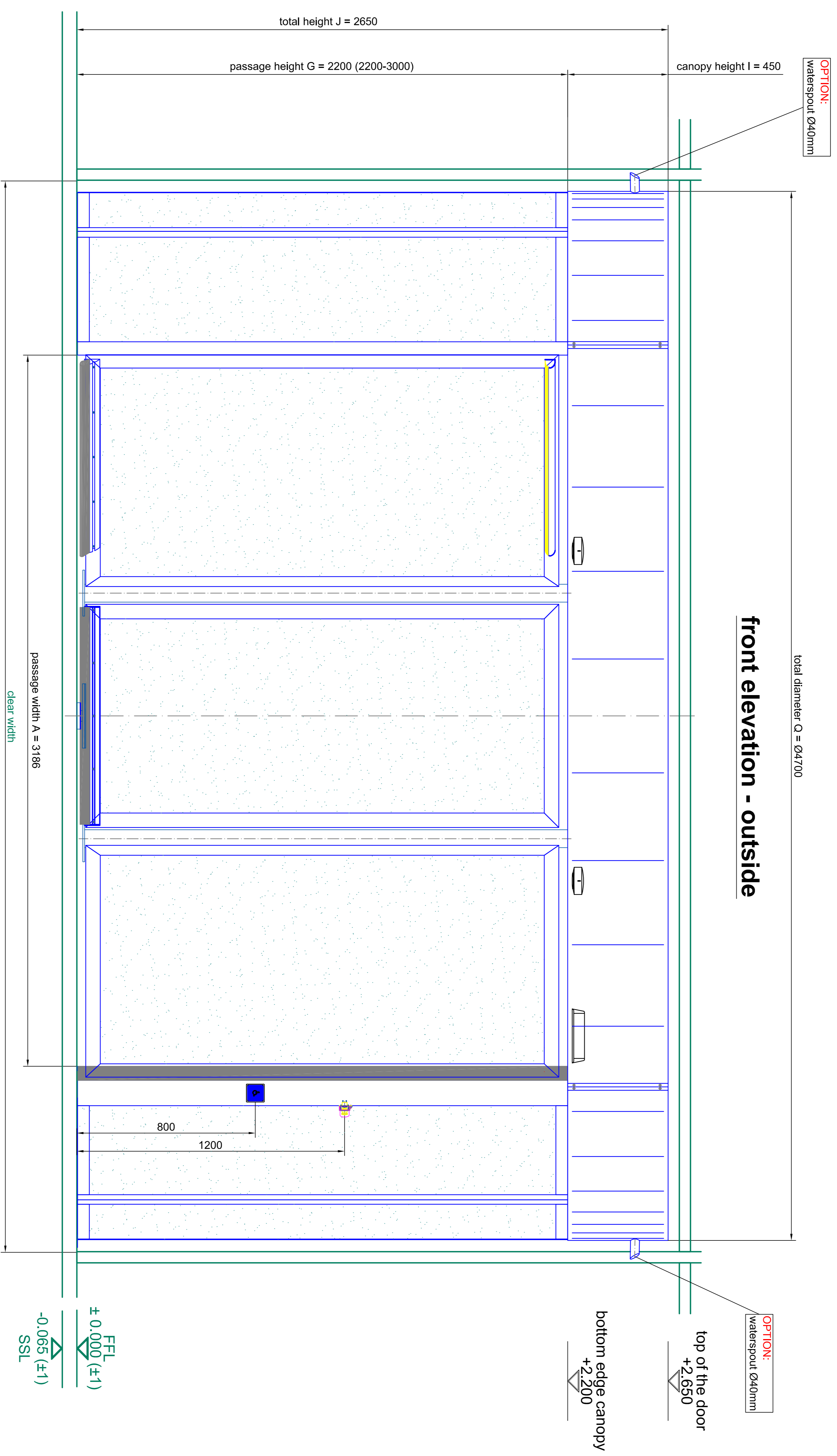
Material	tempered safety glass 10 mm	30x45	(EN 10991)	tempered	tempered	tempered
Material	tempered safety glass 10 mm			tempered	tempered	tempered

BLASI
 B.L.A.S.I. S.p.A.
 Aut. Min. 02/00010
 Cert. Inter. Steel S. 15
 D. 77972 Malibon

14 - 40139 S. 291
 Tel. +39022 / 881 - 291
 Fax. +39022 / 881 - 299
 E-mail: info@blasio.it
 www.blasi.info

R41-VV47 Break Out
 SAMPLE DRAWING ONLY

Scale: 1:10
 Date: 02/08/2024
 Drawing No.: 02
 Rev.: 05



Reference	At visible edges	30x45	(DN 7931)	At fixed metal components must be secured to structure
Shield	tempered safety glass 10 mm			tempered safety glass 10 mm

BLASI

B.L.A.S.I. G. & A. S. r.l.
 Aut. Min. Sic. n. 1000/2011
 Cert. Inter. Sic. n. 15

74 - 40132 P. 200 - 201
 Tel. +39 022 7 888 - 288
 E-mail: info@blasio.it
 www.blasi.it info

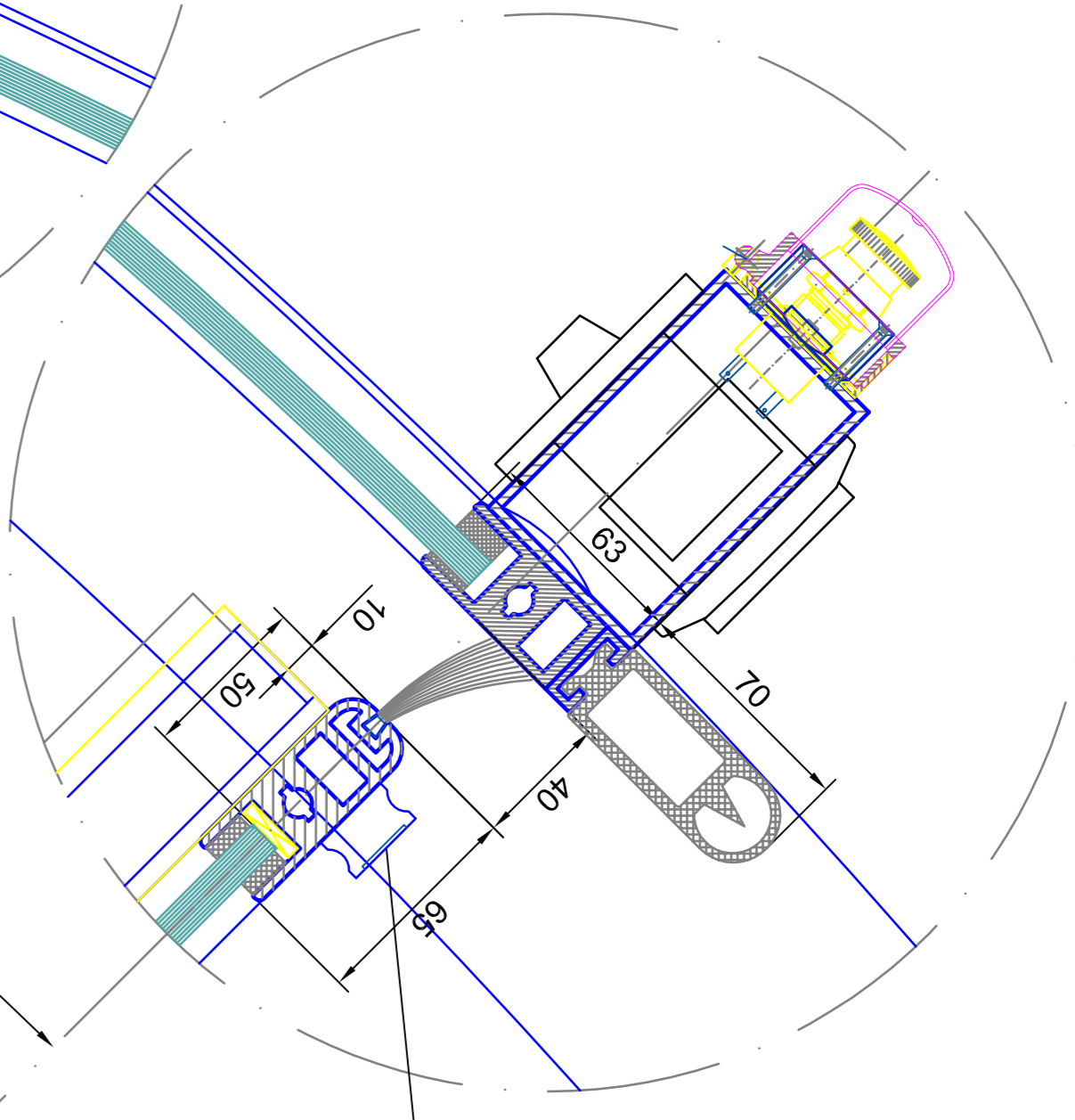
Model: **K41-VM47 Break Out**
 Project: **SAMPLE DRAWING ONLY**

Scale: 1:10
 Date: 04/05/2024

Author: **GA**
 Date: 05/05/2024

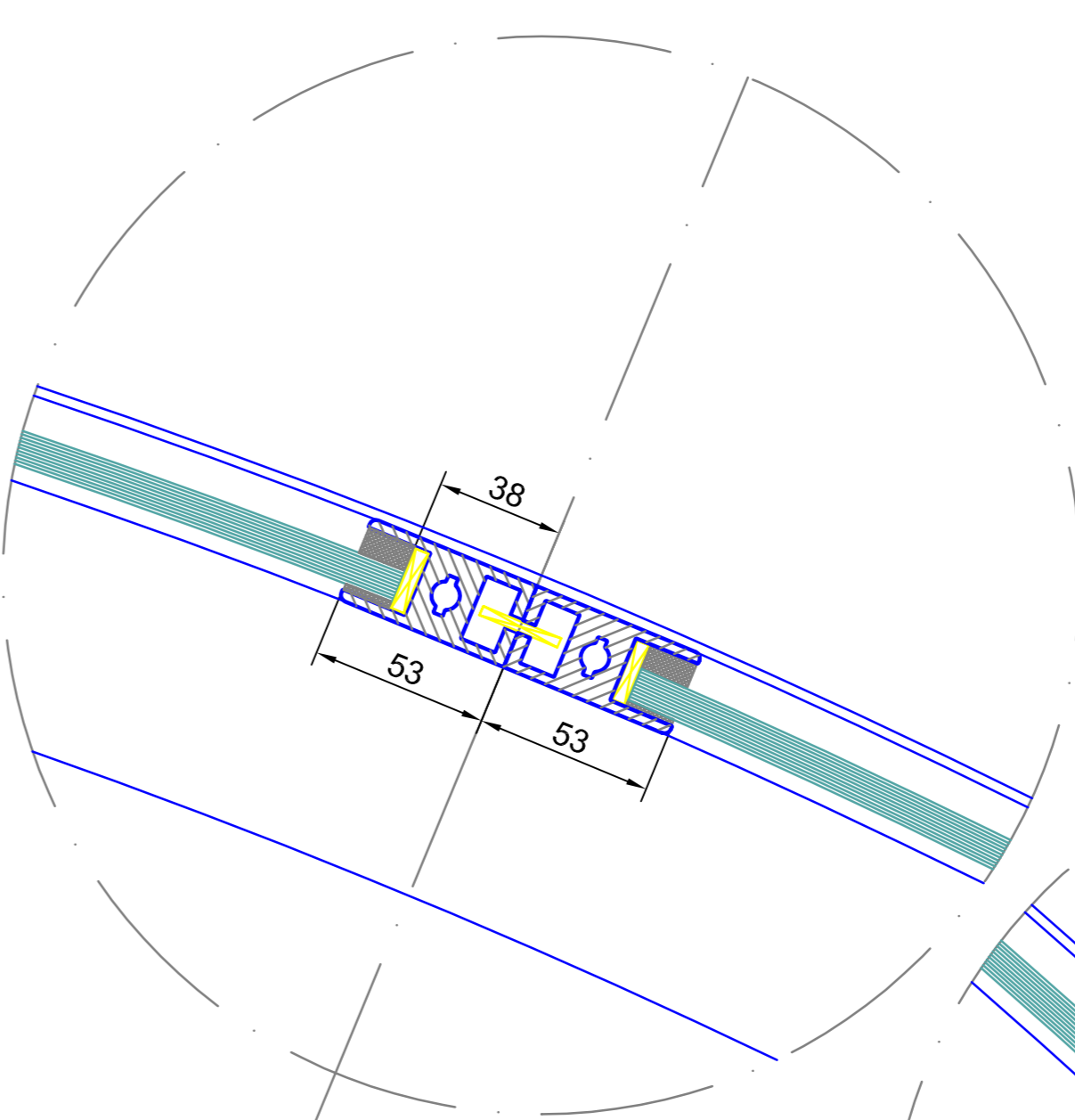
The drawings in this set of the complete door, in the absence of a reference to a specific technical condition, are valid only for the model shown.

detail E

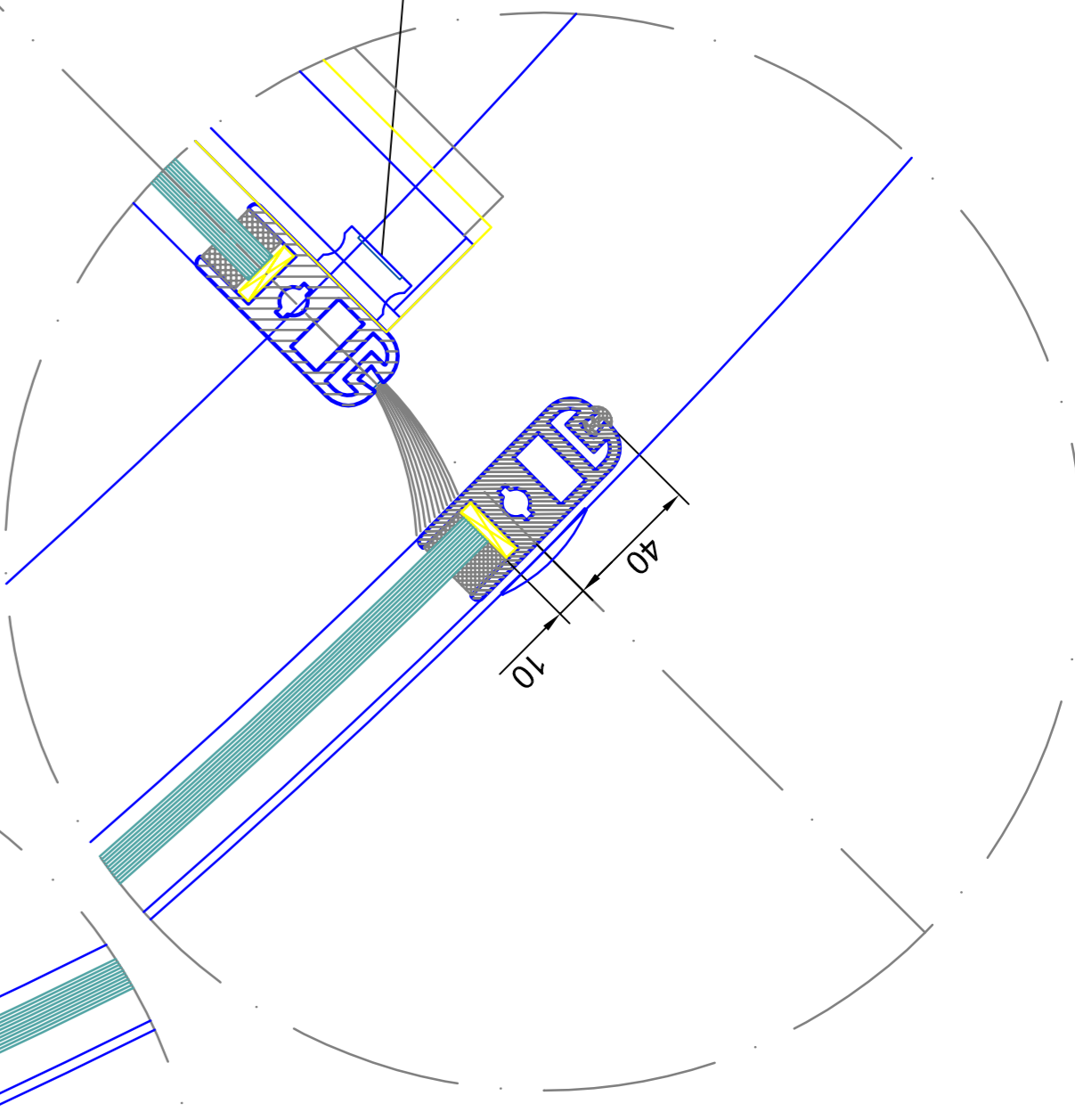


inside

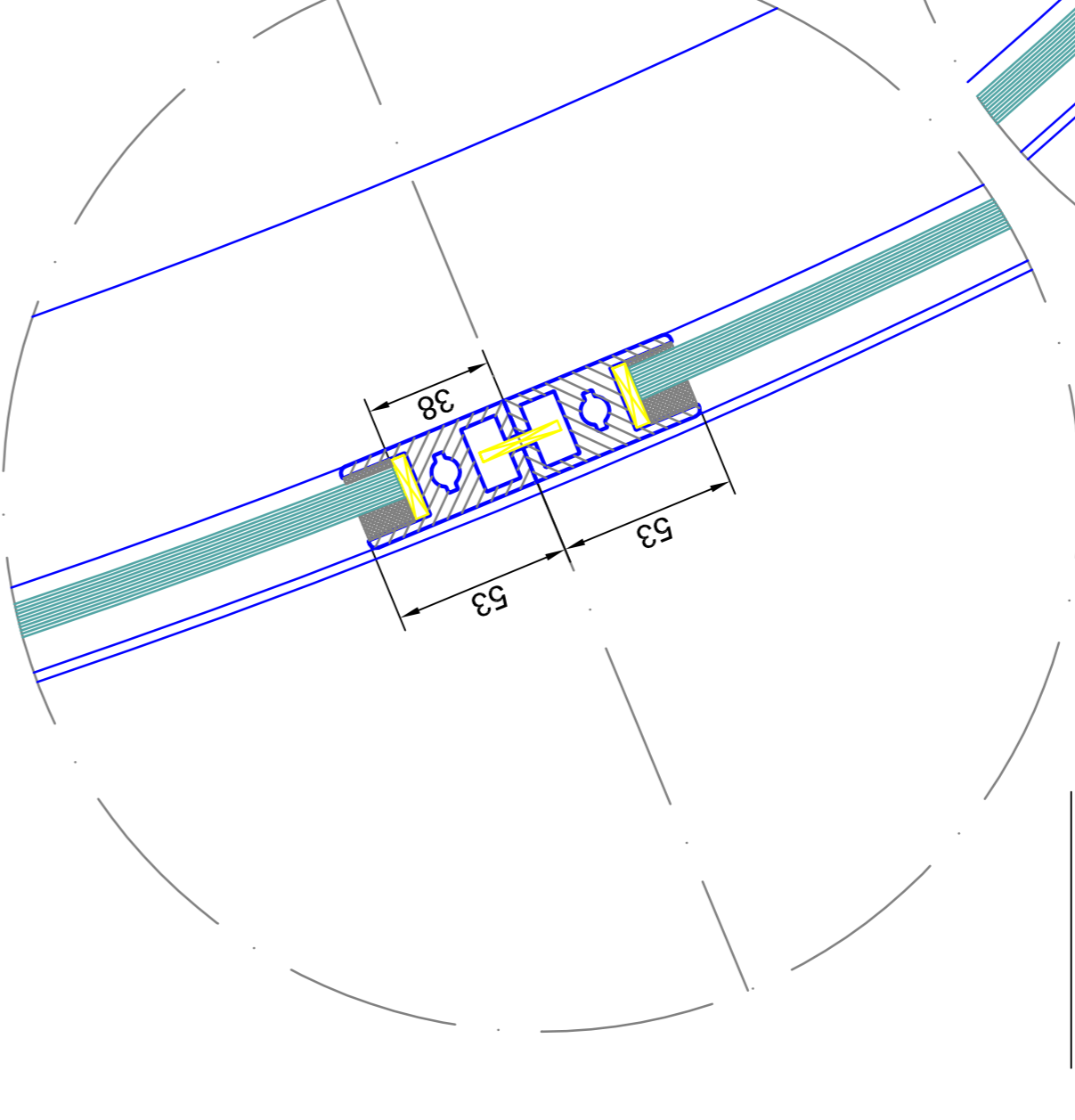
detail D



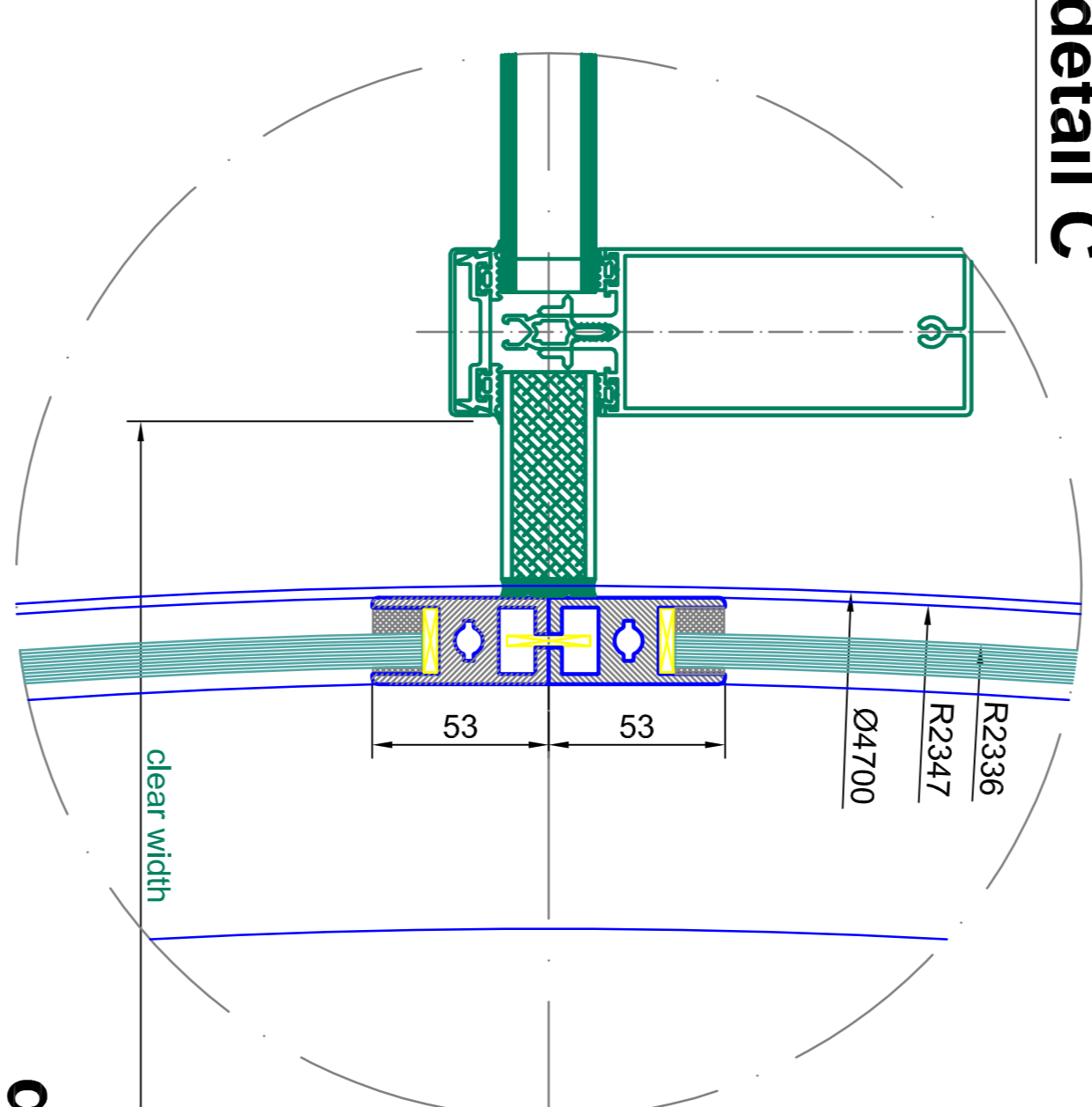
detail F



detail G

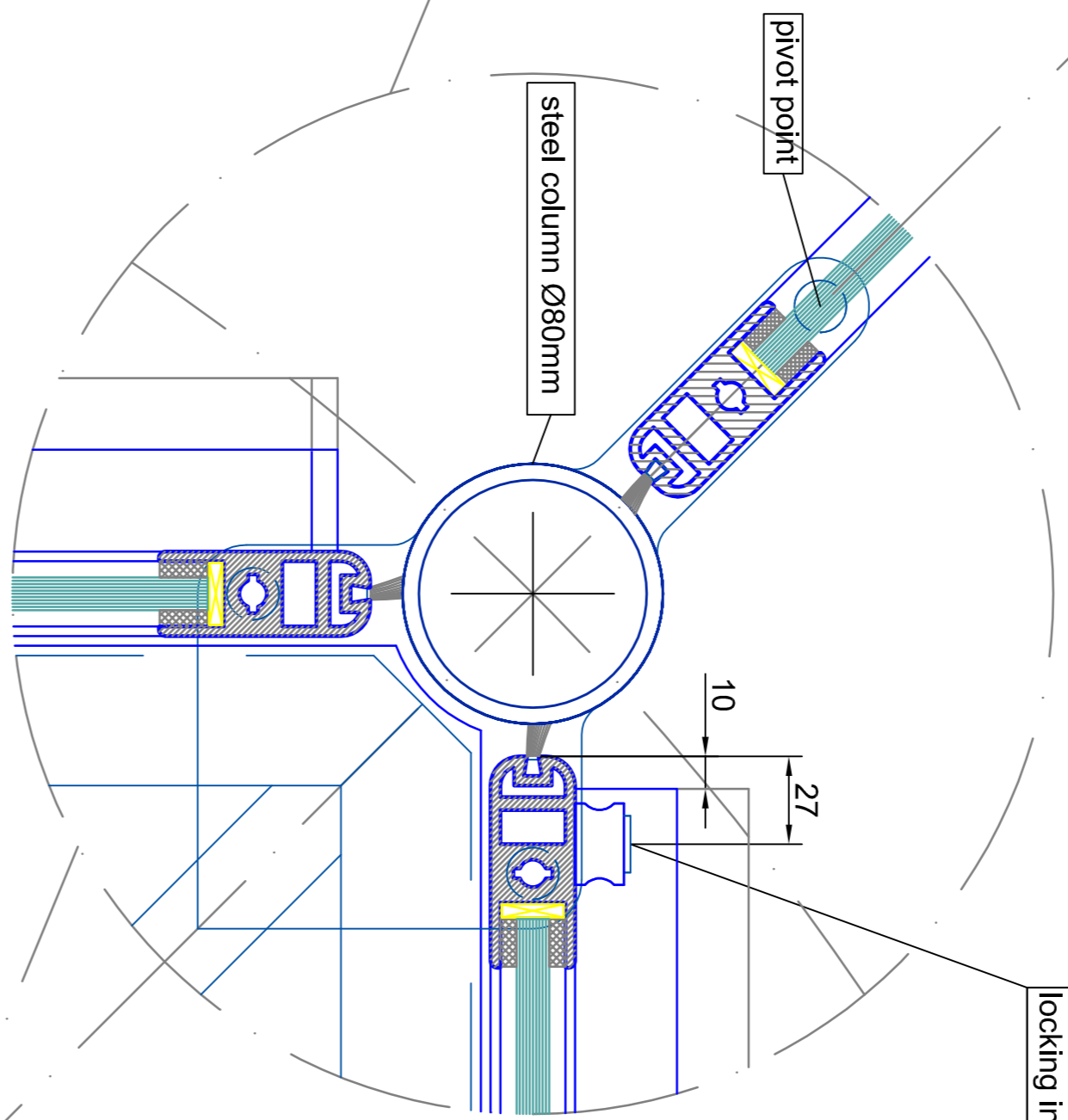


detail C



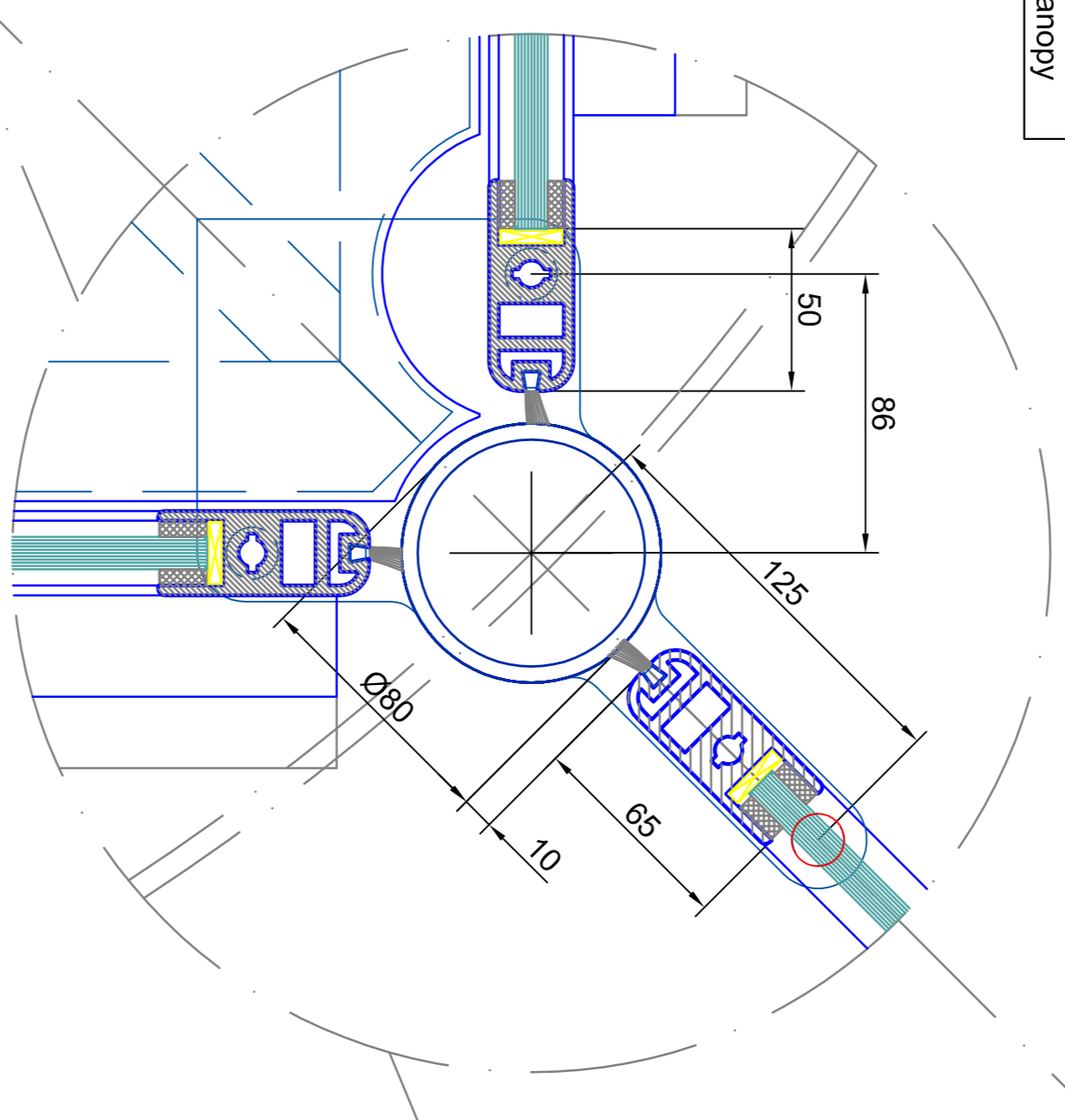
inside

detail L

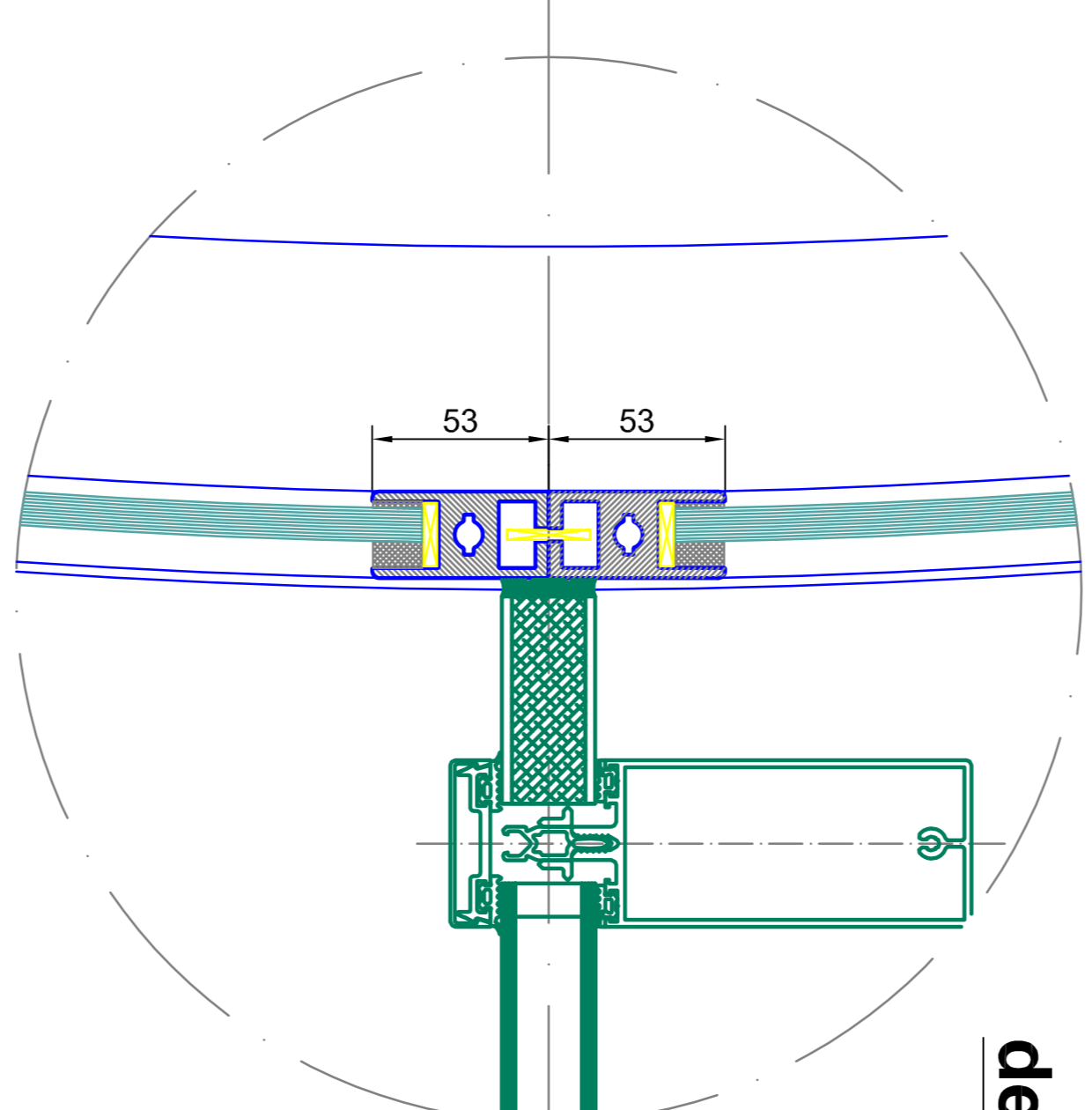


detail F

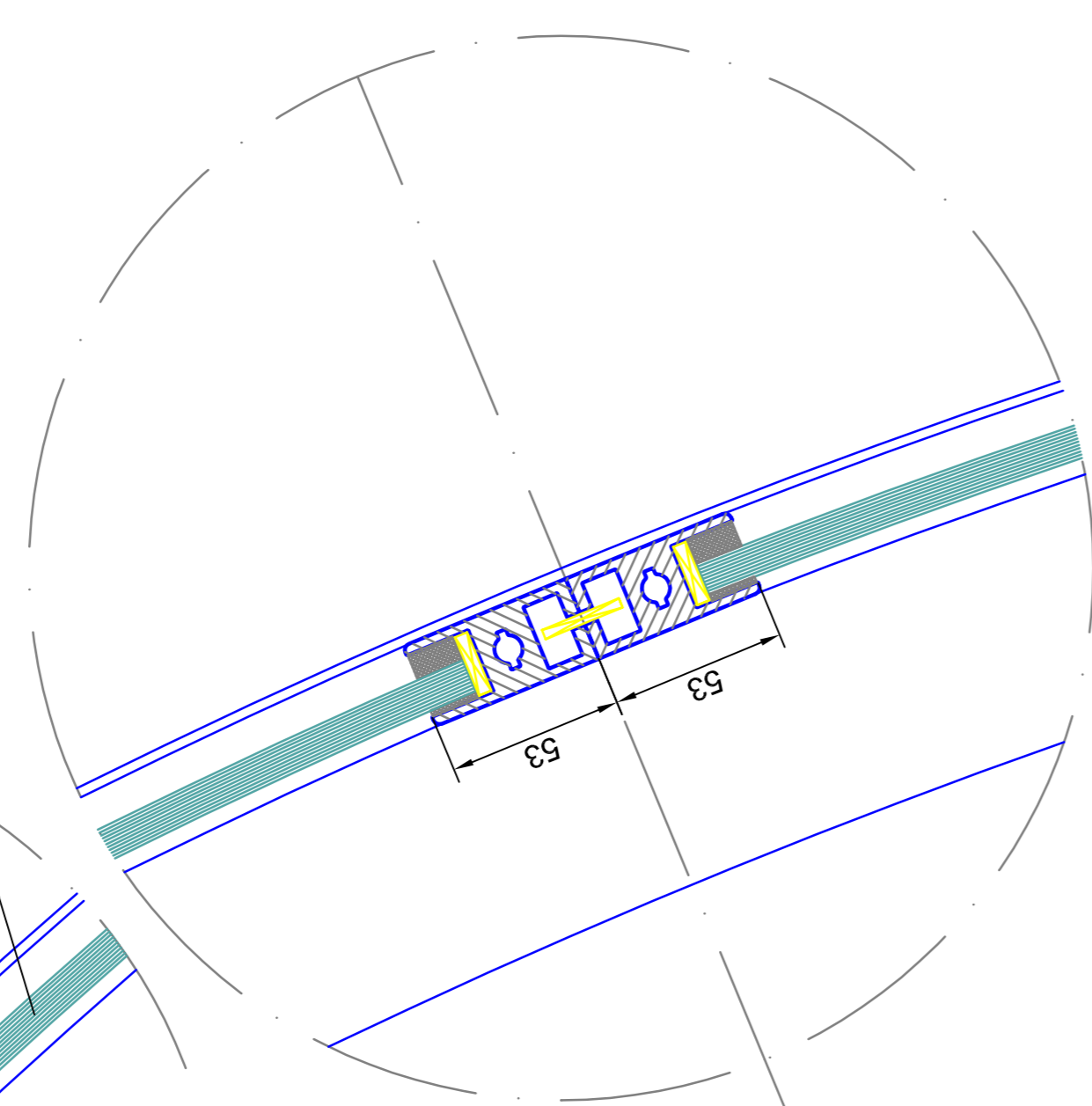
detail M



detail H

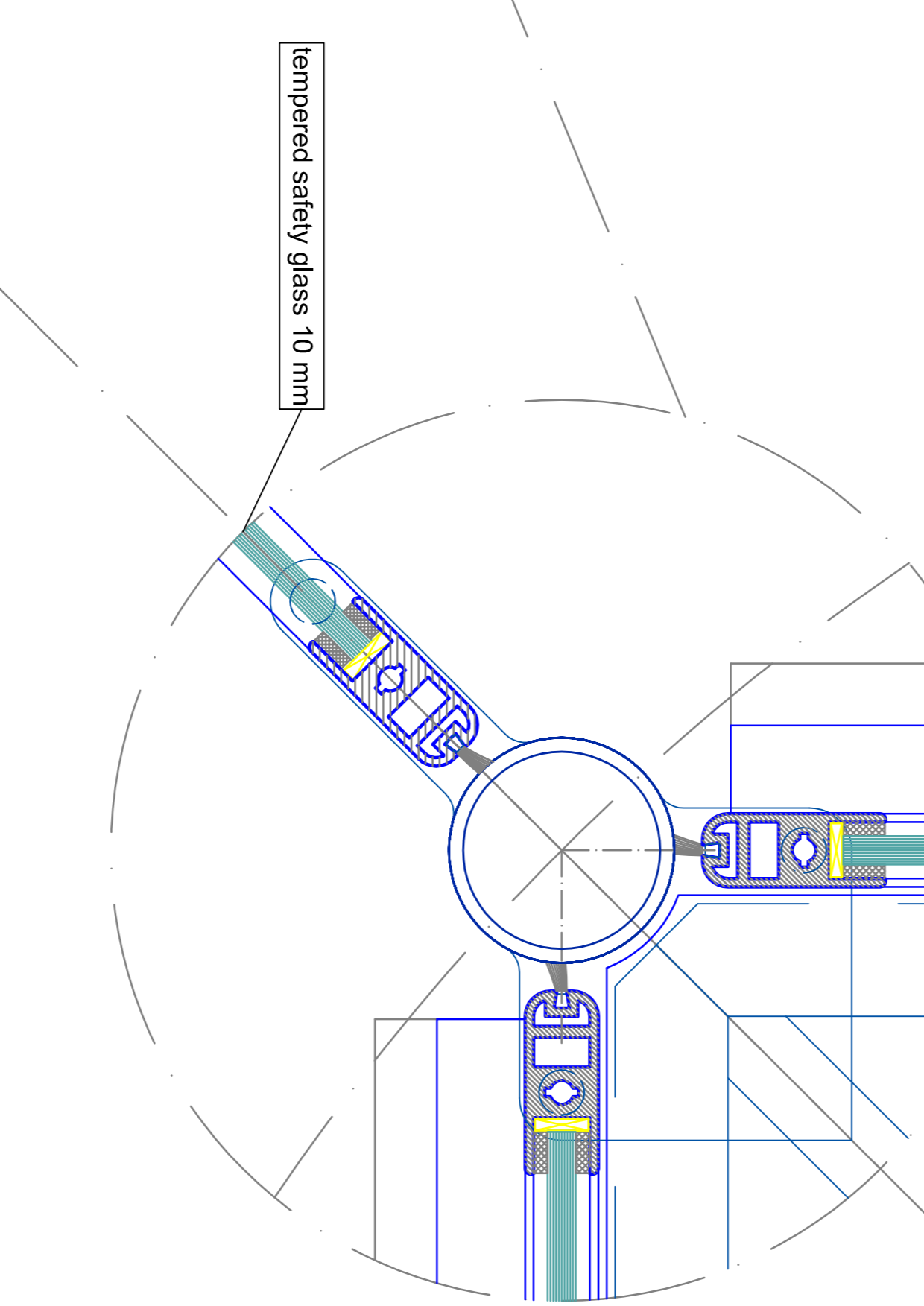


detail B



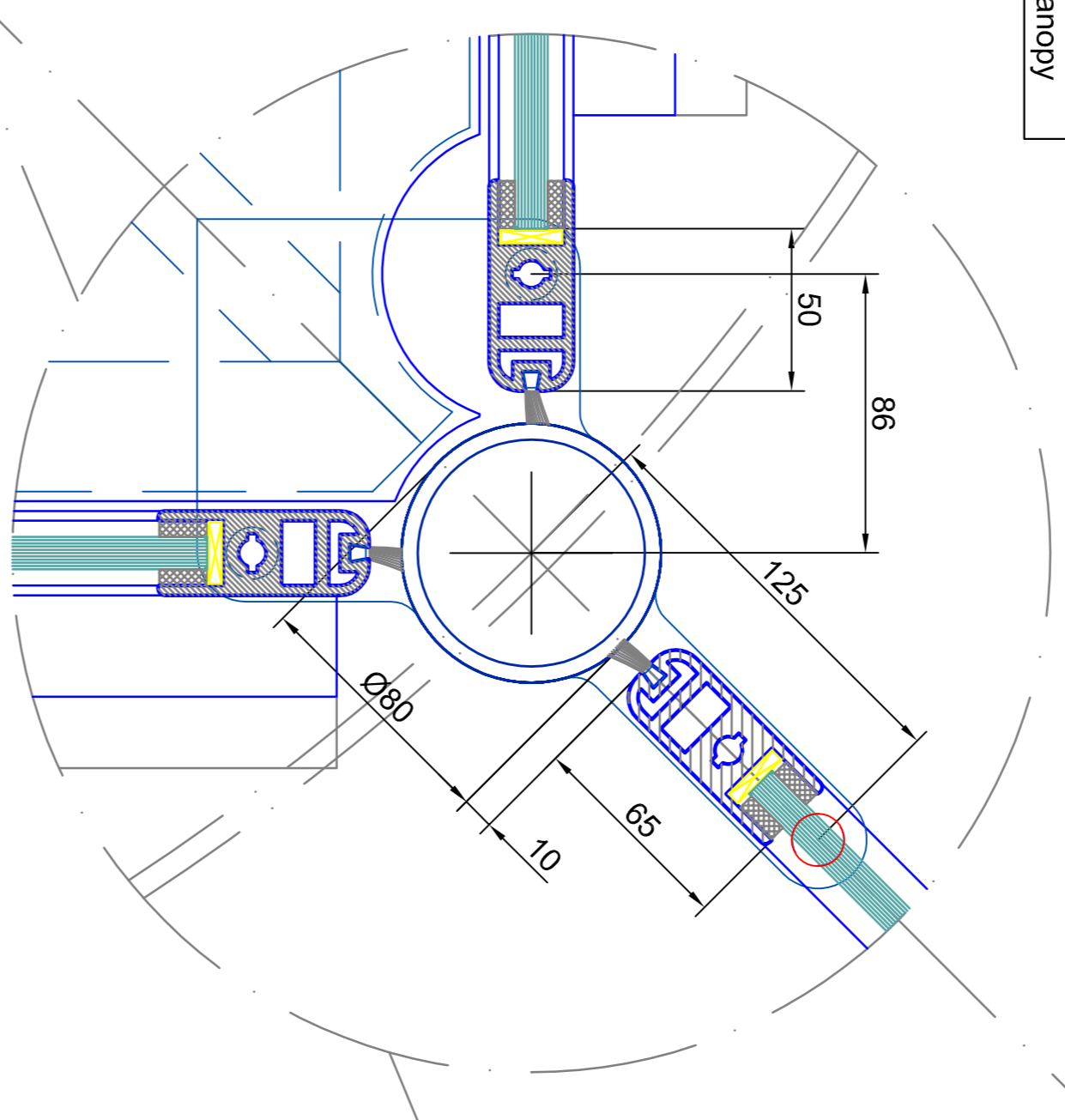
inside

detail K

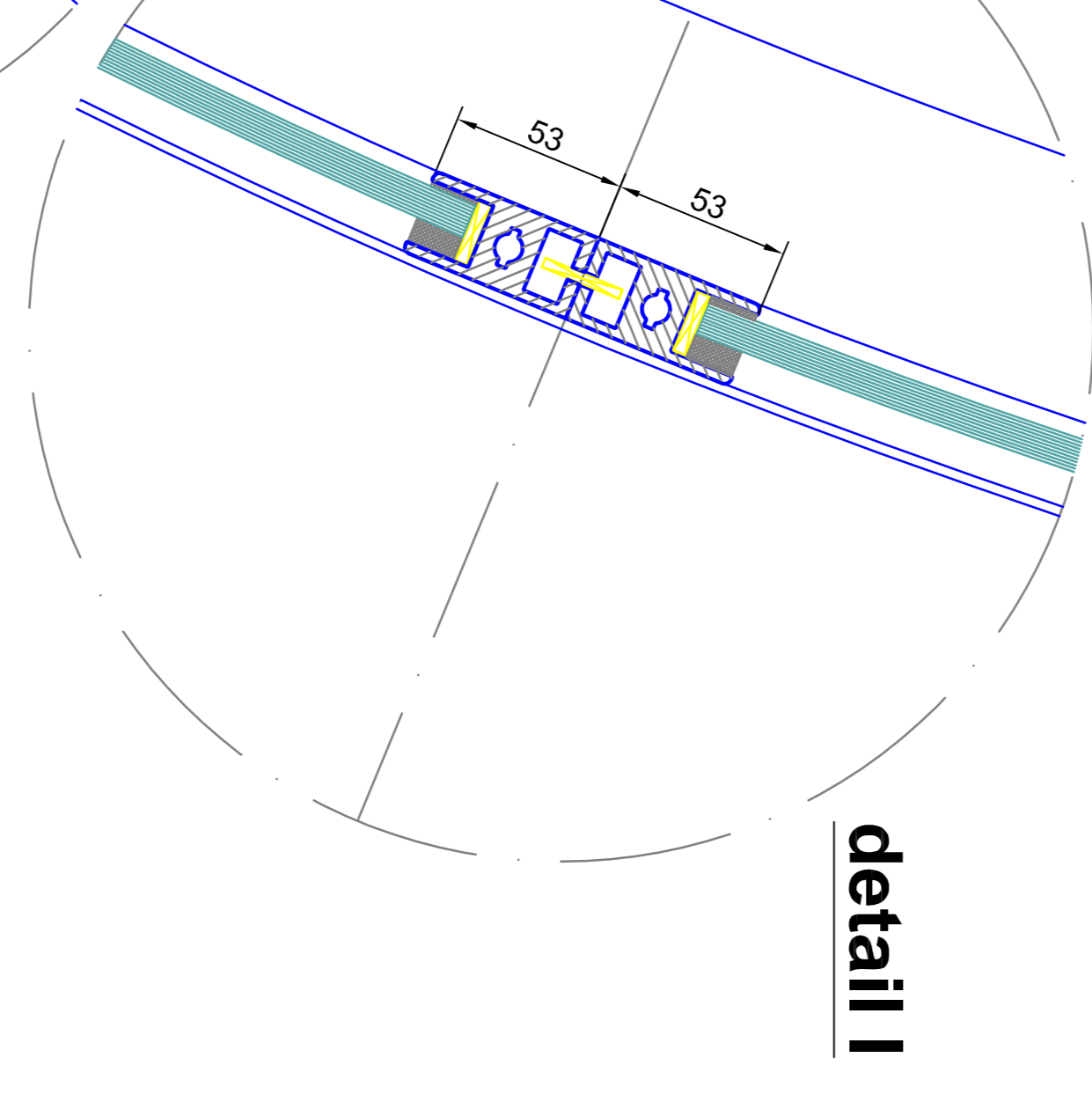


detail F

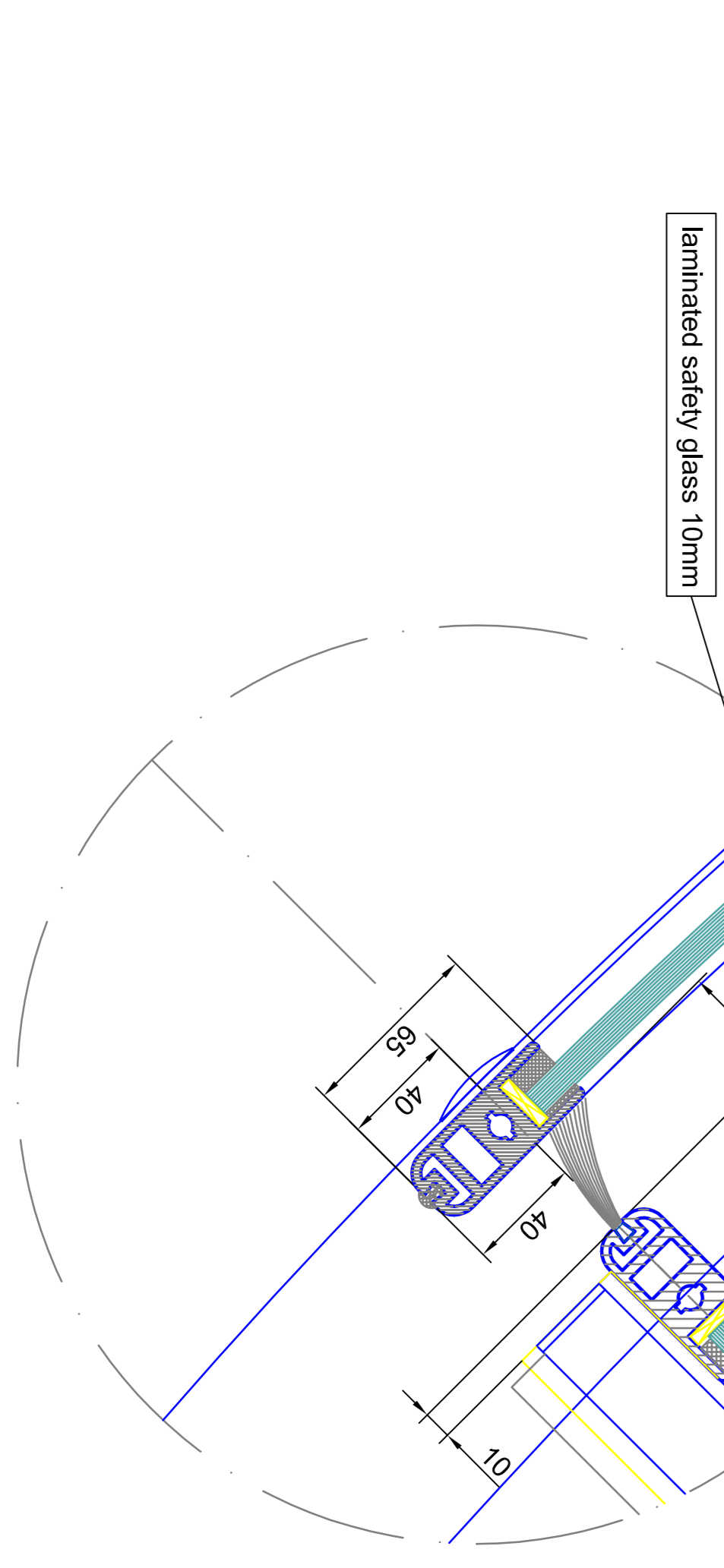
detail N



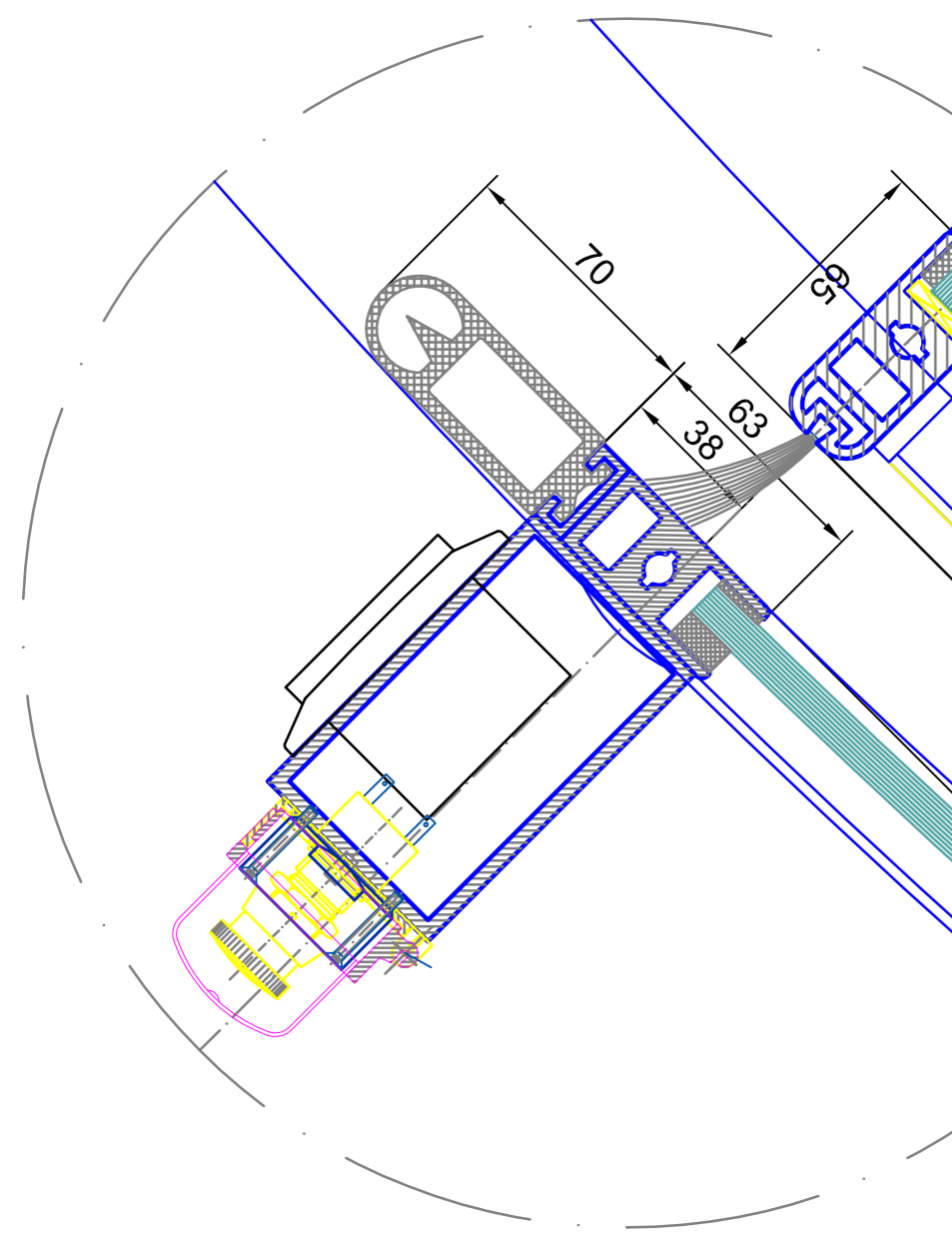
detail I



detail A



detail J



detail I

outside

BLASI
 B.L.A.S.I. G. s.p.a.
 Autostar - Dada - S.M.
 Autostar - Steel S-15
 D - 77172 Malibon
 Tel. +3902 / 881 - 281
 Fax. +3902 / 881 - 288
 E-mail: info@blasit.com
 www.blasi.info

BLASI
 R41-VV47 Break Out
 SAMPLE DRAWING ONLY

Material	Aluminum profiles	Standard	EN 1993-1
Material	Tempered safety glass 10 mm	Standard	EN 1062
Material	Bar lock	Standard	EN 1993-1
Material	Laminated safety glass 10 mm	Standard	EN 1062

Scale: 1:1
 Drawing No.: R41-VV47 Break Out
 Date: 05/05/2015

This drawing is the property of Blasi. It is not allowed to be reproduced or used in any way without the written permission of Blasi.