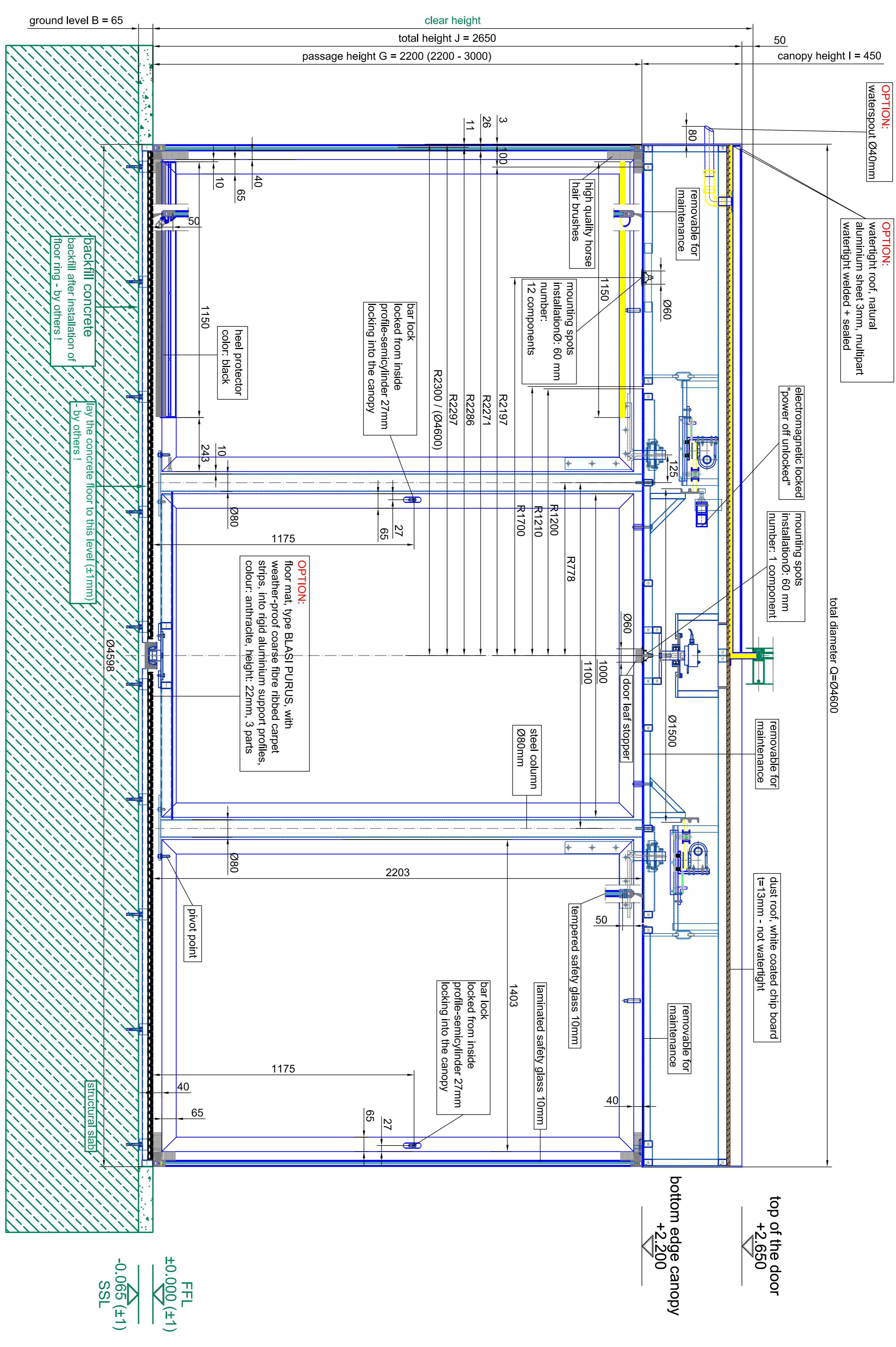


outside

vertical section

inside



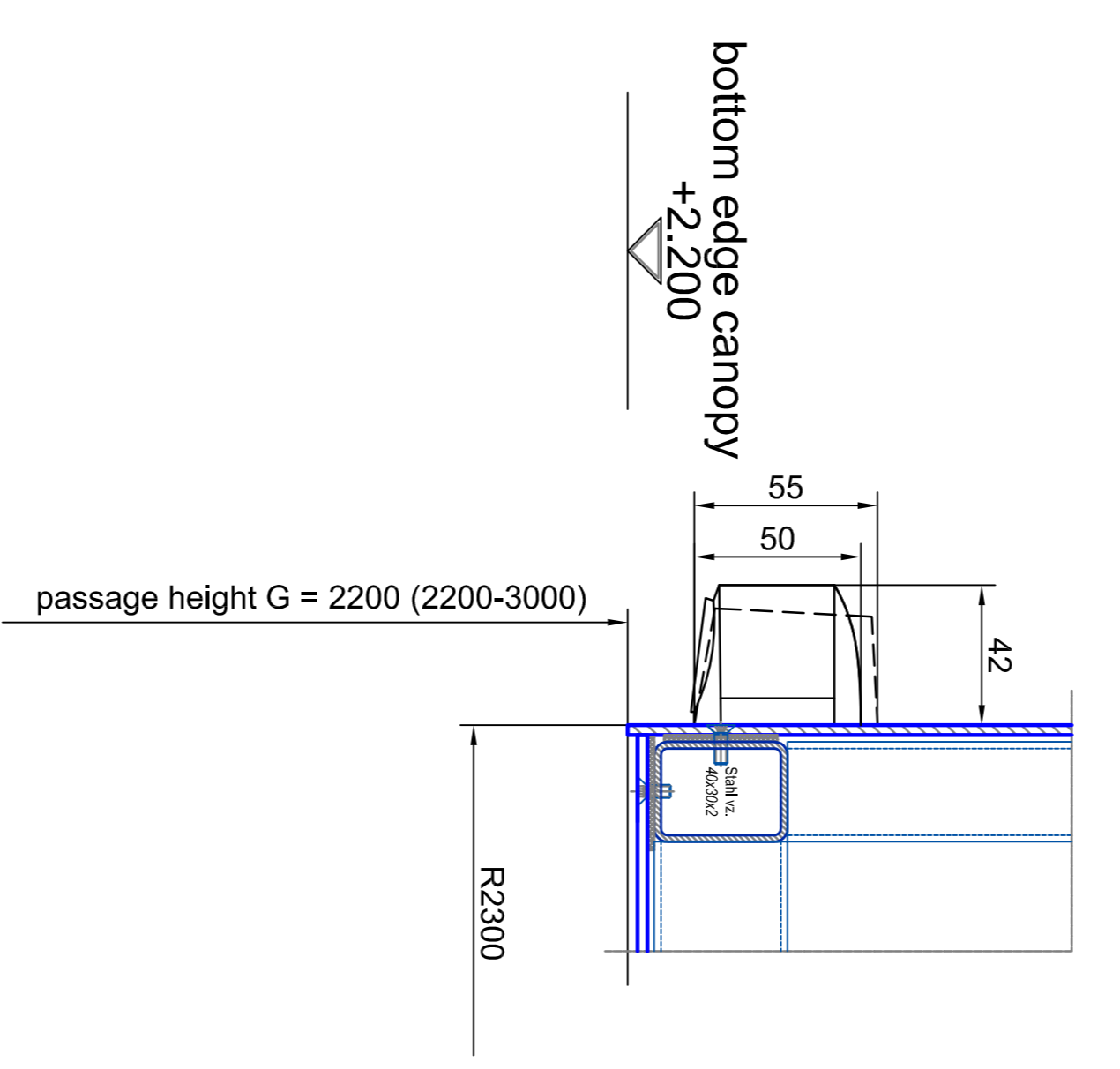
top of the door
+2.650

bottom edge canopy
+2.200

F.L.
±0.000 (±1)

SS.L.
-0.065 (±1)

vertical section-
passage area
A0 - M 1:2



Material	Quantity	Unit	Notes
tempered safety glass 10 mm	30x43	(DN 7991)	All glass-related components must be selected to comply
tempered safety glass 10 mm			

BLASI

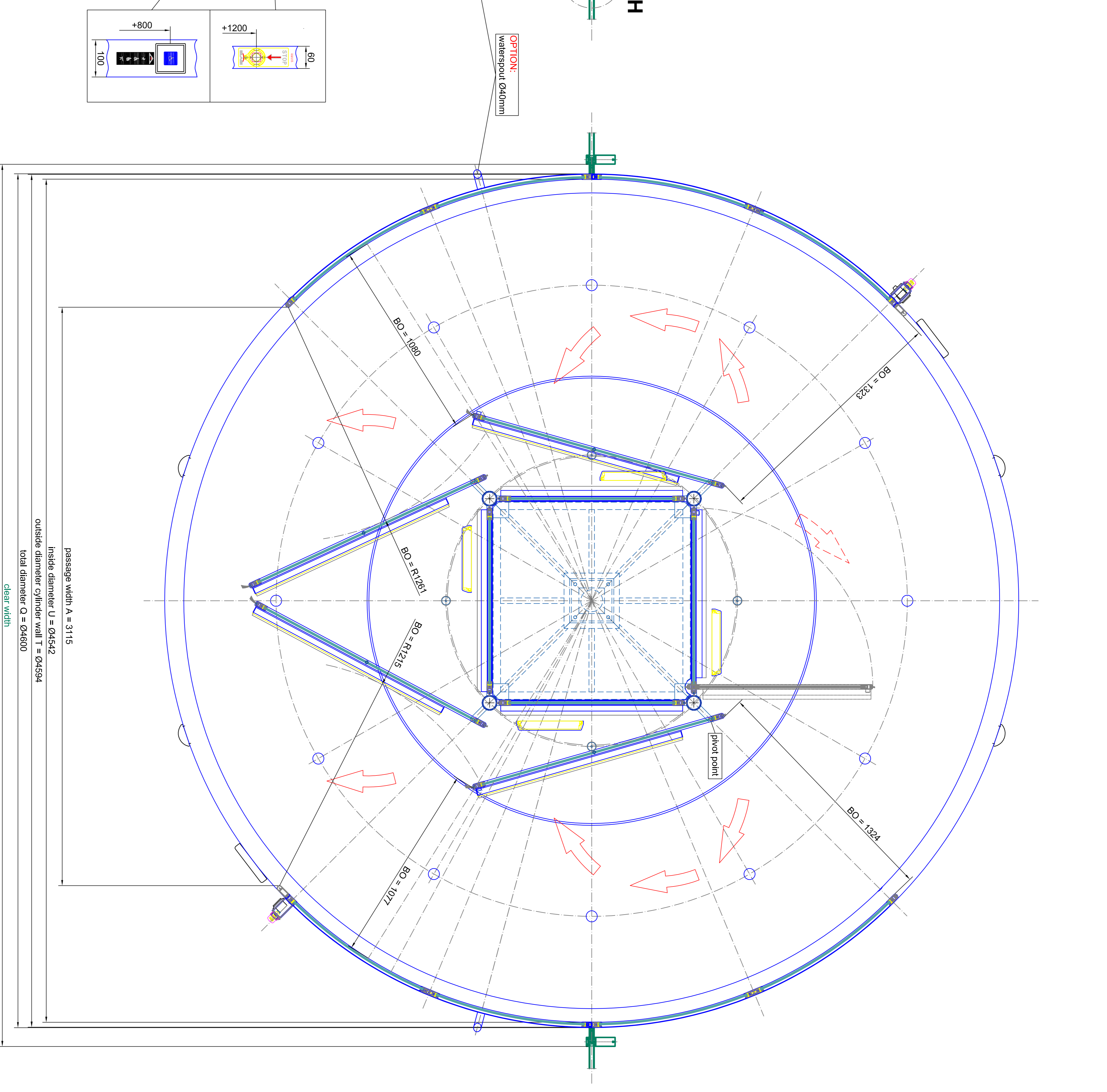
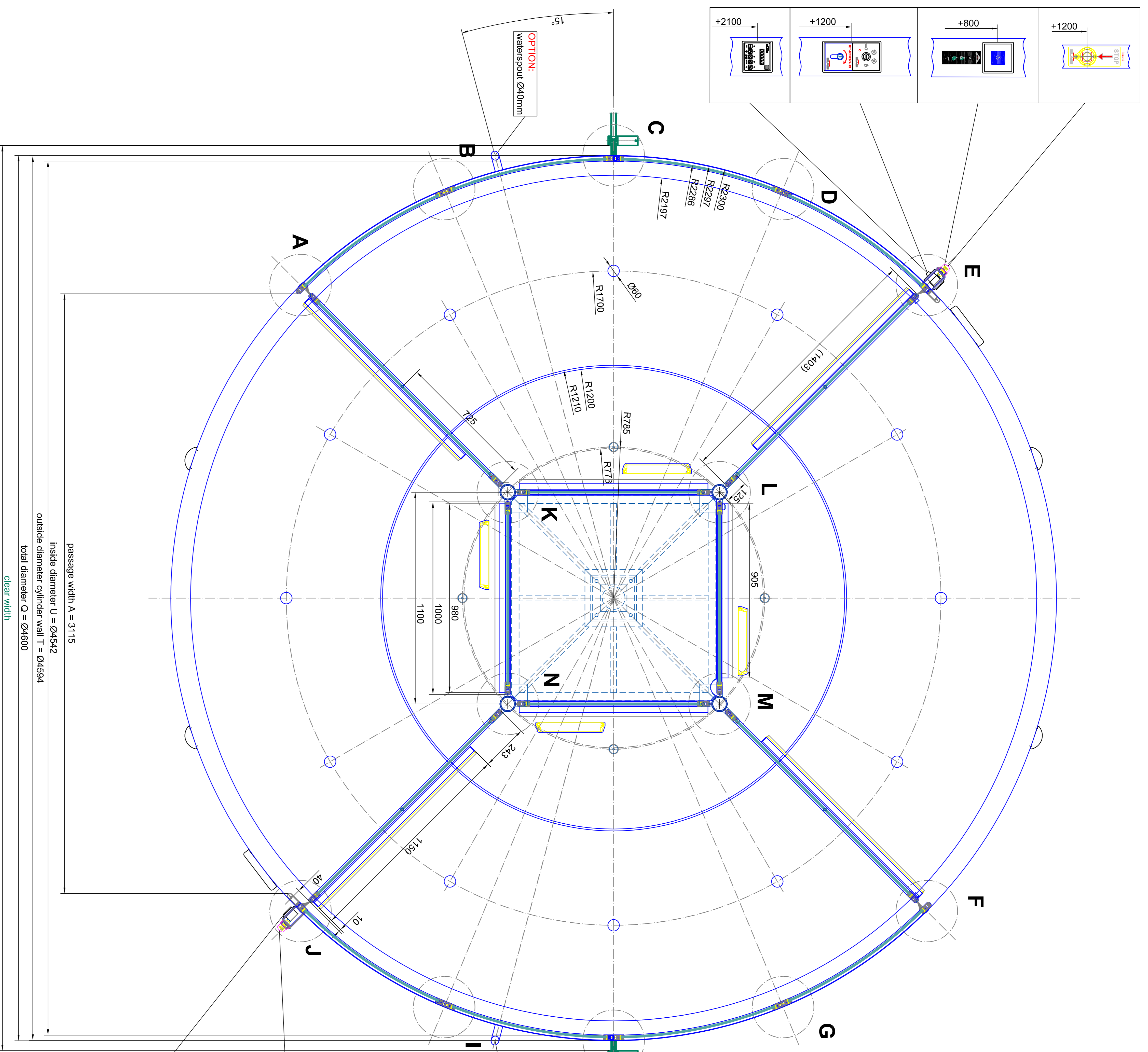
B.L.A.S.I. G. & A.H.
Automatic Door
Cafè Street - Street 5-15
D - 77172 Malting

TEL: +49(0)7 203 - 291
FAX: +49(0)7 203 - 290
E-mail: info@blasi.de
www.blasi.de

Project: **K41-1V/46 Break Out**
Status: **SAMPLE DRAWING ONLY**

Scale: 1:10
Date: 01

inside



inside

outside

outside

horizontal section - door in standard position

horizontal section - door in break out position

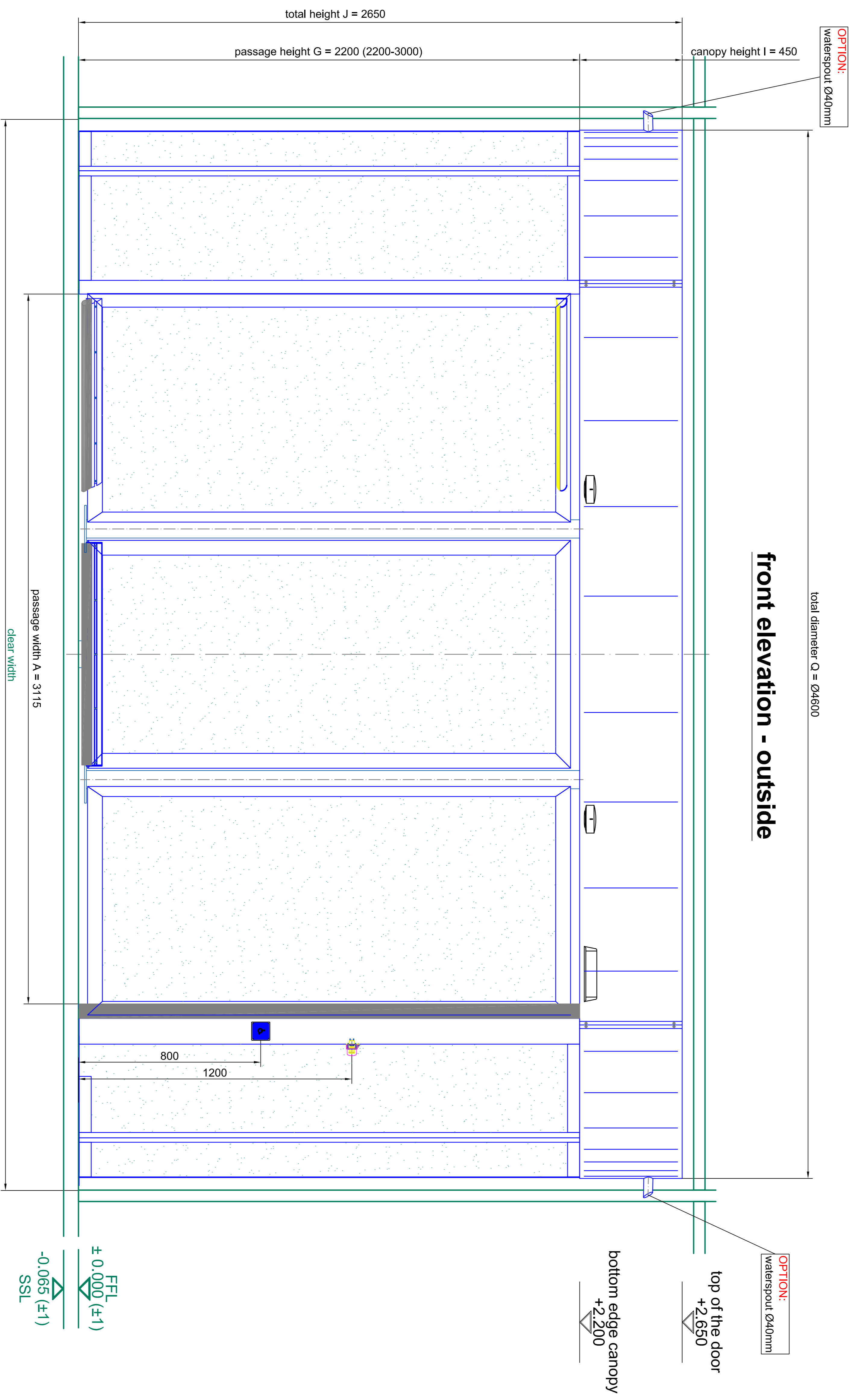
Material	Specification	Notes
Frame	Al 6063-T5	Al 6063-T5 components must be selected to comply
Panel	Tempered safety glass 10 mm	tempered safety glass 10 mm

BLASI
 B.L.A.S.I. G. & A. S. r.l.
 Aut. Min. Sc. n. 1000/2011
 Call Center - Steel 8-15
 D - 71127 Zambello

Tel. +3902 7 801 291
 Fax. +3902 7 801 290
 E-mail: info@blasi.it
 www.blasi.it info

Model: **R41-VM/46 Break Out**
 Project: **SAMPLE DRAWING ONLY**

Scale: 02
 Date: 04



Material	Tempered safety glass 10 mm	30x45	(EN 10991)	At least 2 panels must be secured to overhead
Material	Tempered safety glass 10 mm	30x45	(EN 10991)	At least 2 panels must be secured to overhead

BLASI

B.L.A.S.I. G. & A. S. r.l.
Autonoma P.zza S. Vito
Celle di Stabia - 81032 - 80014 - 80028
D - 77172 - Molfetta

Tel. +39021 7801 299
Fax +39021 7801 298
E-mail: info@blasidna.it
www.blasi.info

Project: **K41-VV46 Break Out**
SAMPLE DRAWING ONLY

Scale: 1:10
Date: 03/04

