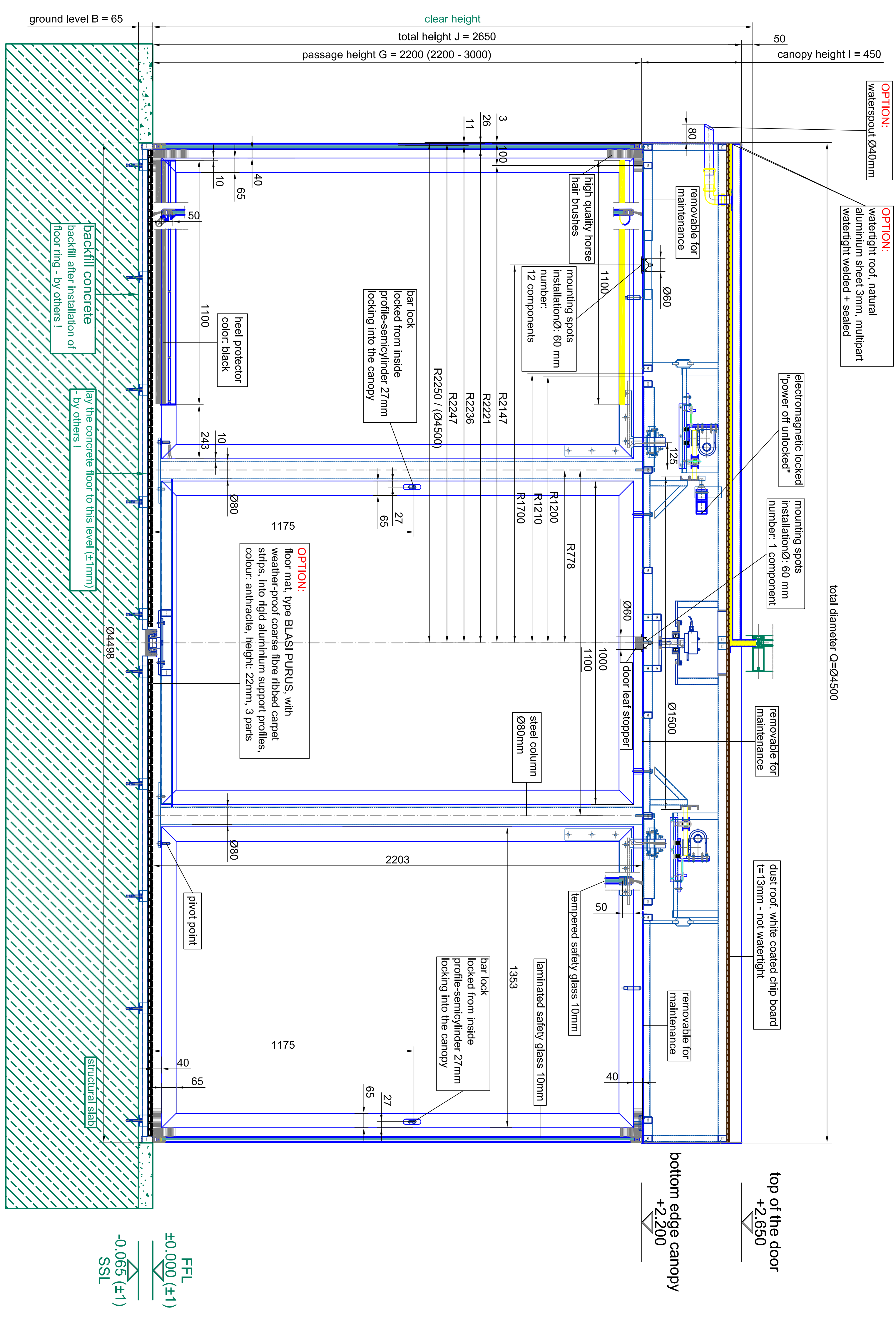


outside

vertical section

inside



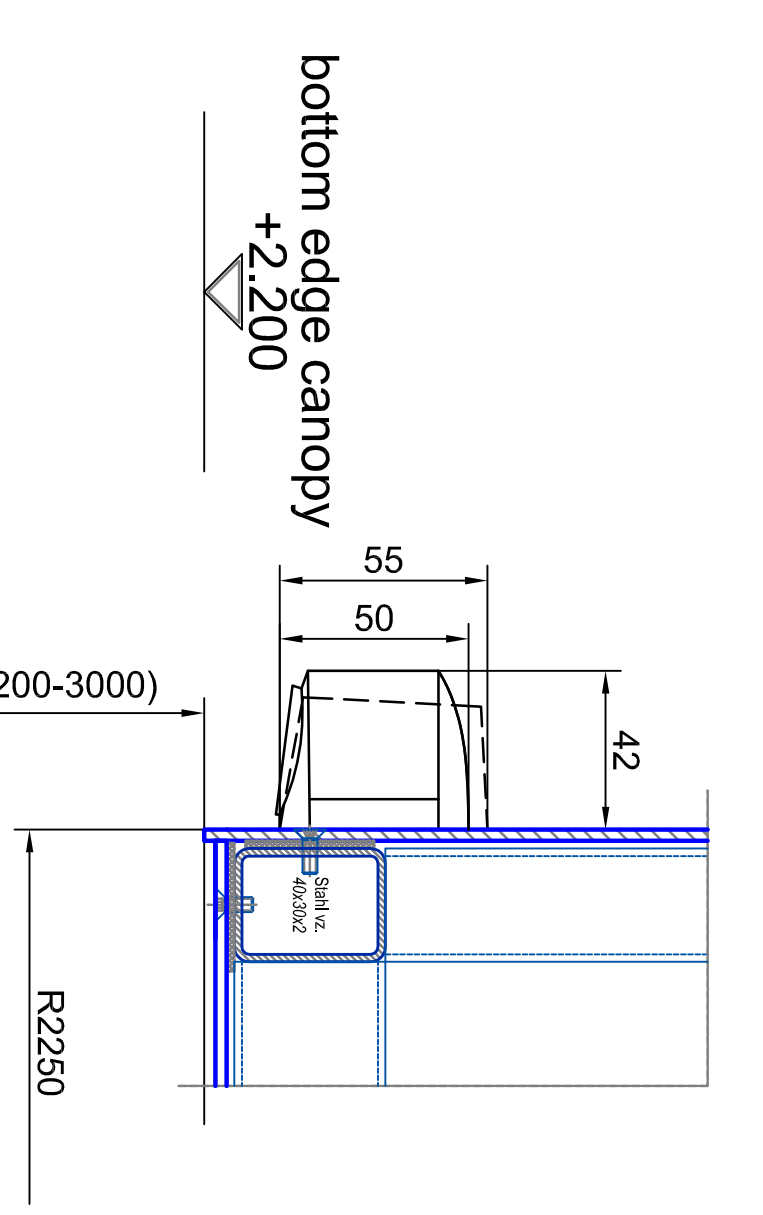
top of the door
+2.650

bottom edge canopy
+2.200

FFL
±0.000 (±1)

SSL
-0.065 (±1)

vertical section -
passage area
A0 - M 1:2



Material	Quantity	Unit	Notes
tempered safety glass 10 mm	30x45	(DN 9991)	As per material components, must be ordered to order!
tempered safety glass 10 mm			

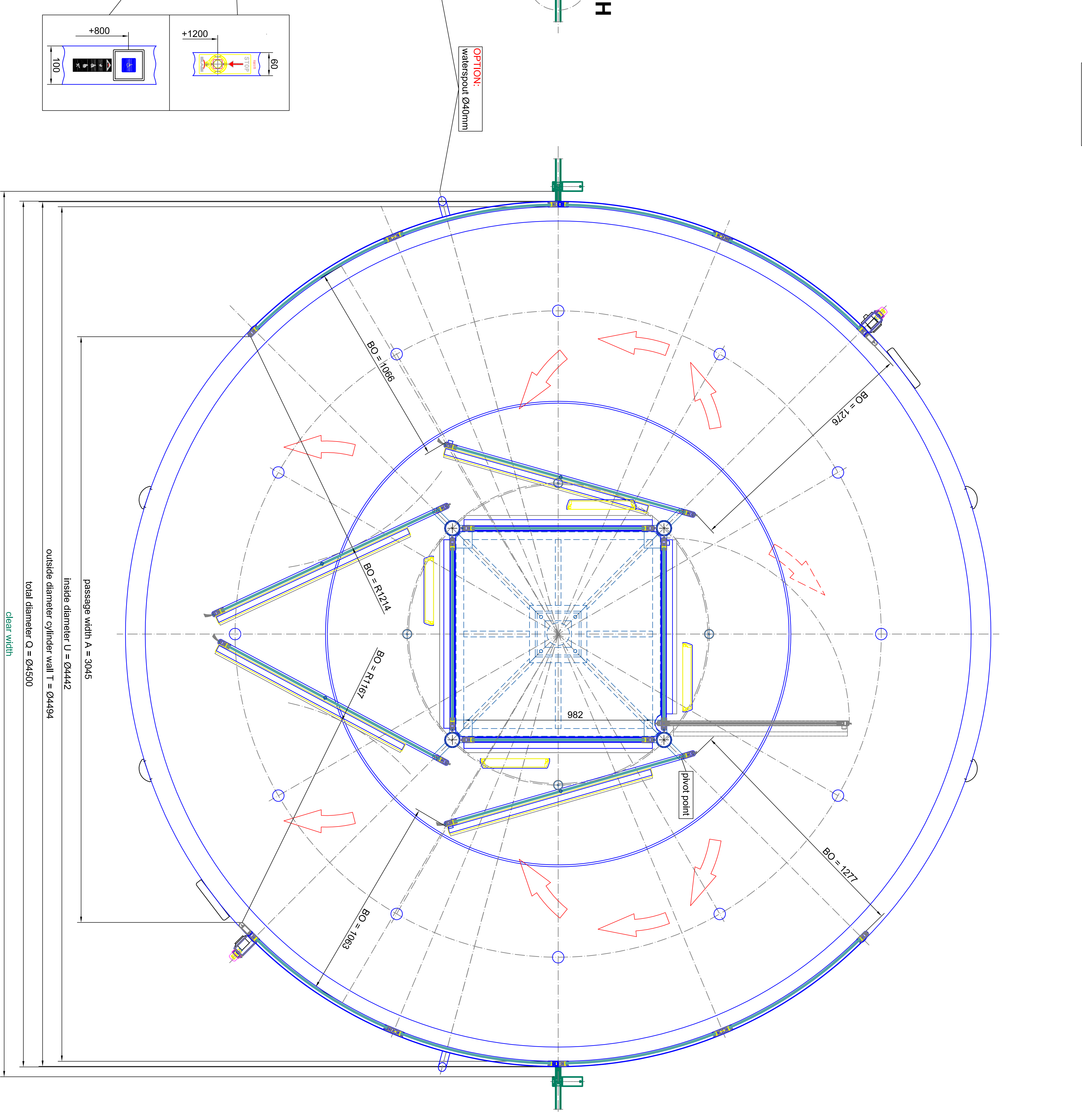
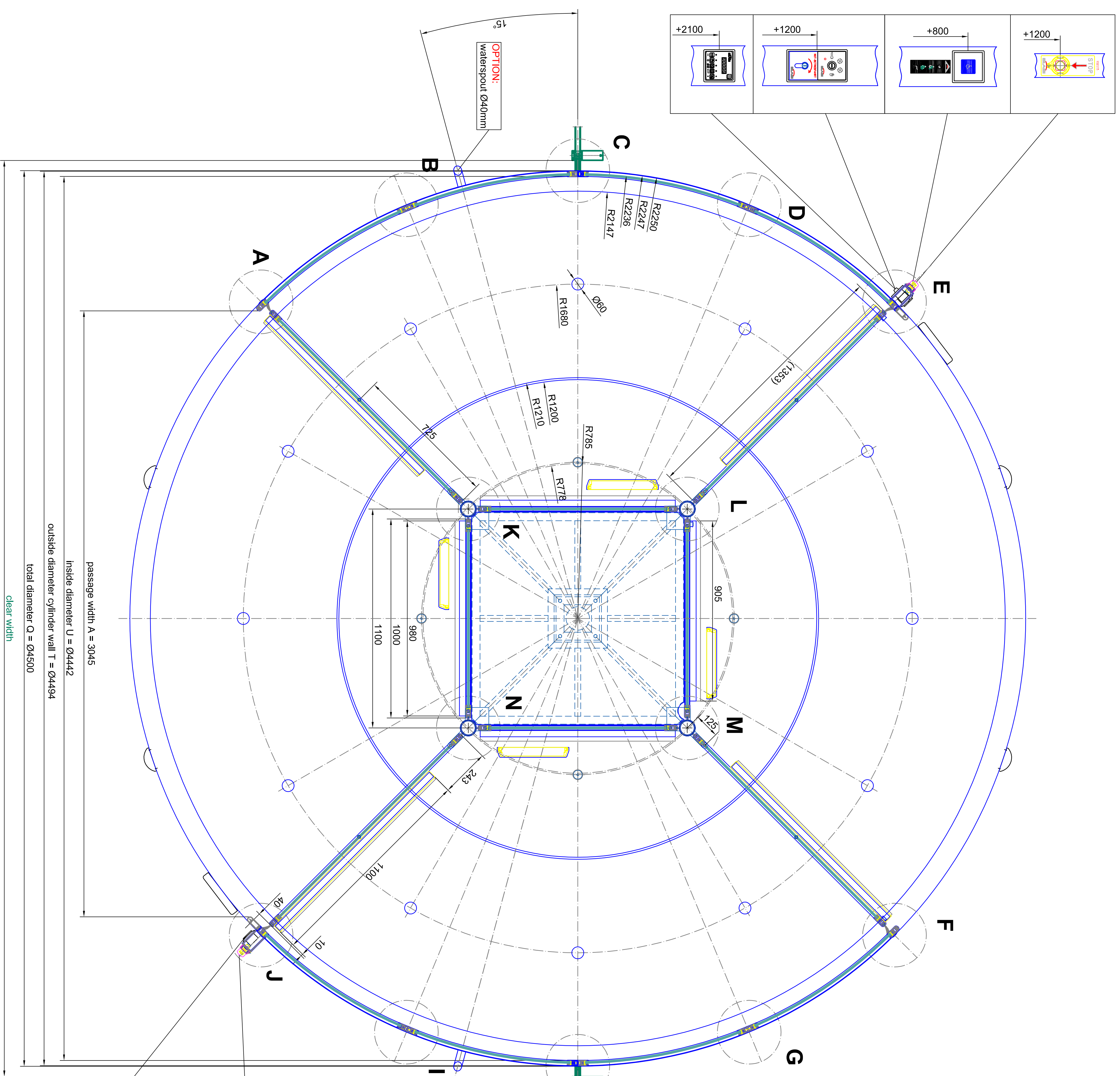
BLASI

B.L.A.S.I. G. & A. H.
Autostar-Druck
Carl-Benz-Str. 5-15
D - 77372 Malting

TEL: +49(0)7 403 2 890 - 299
FAX: +49(0)7 403 2 898 - 299
E-mail: info@blasidat.de
www.blasi.de

Project: **K41-1V/45 Break Out**
SAMPLE DRAWING ONLY

Scale: 1:10
Date: 04



horizontal section - door in standard position

horizontal section - door in break out position

outside

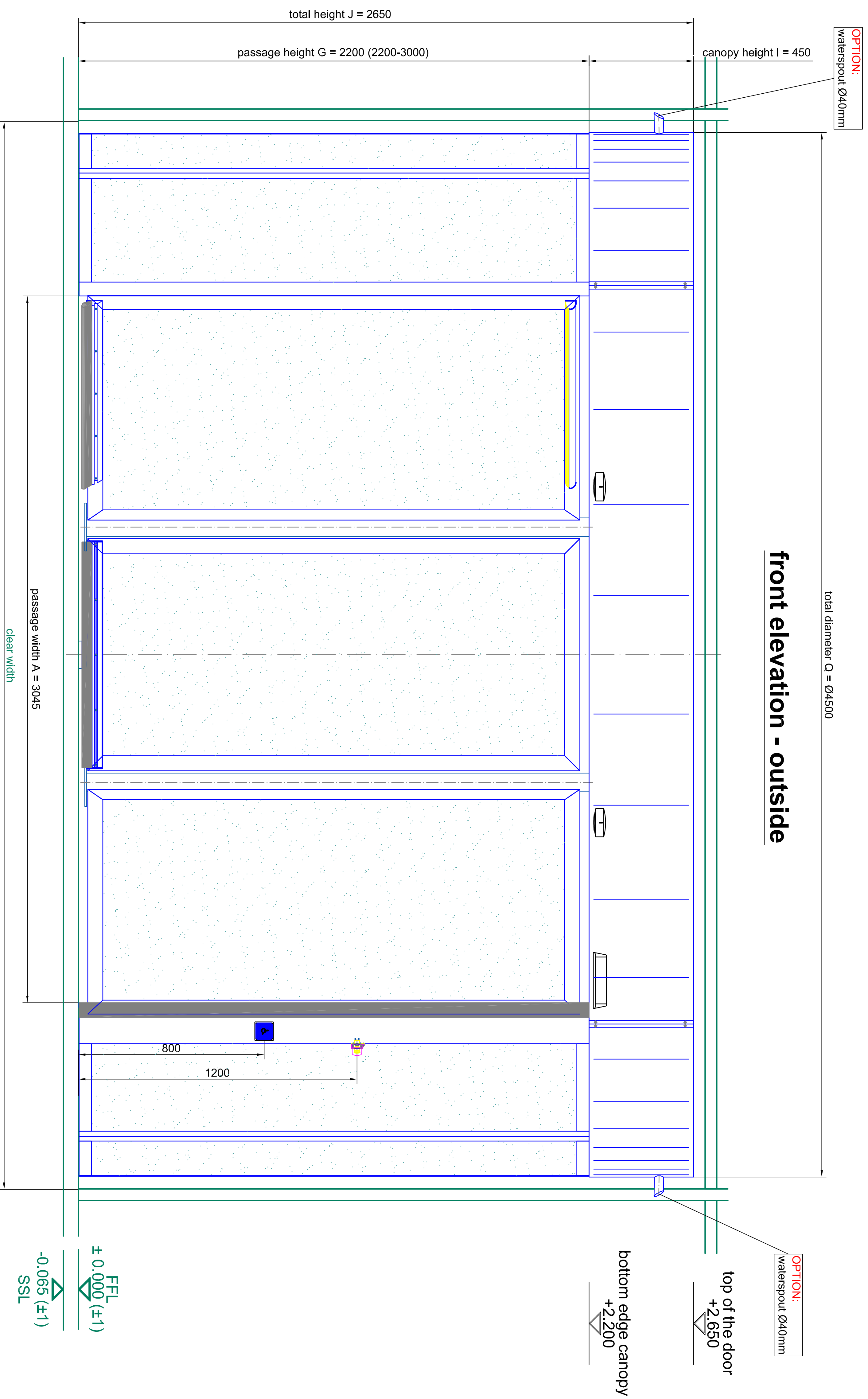
inside

Material		Particular components	
Substrate	All visible surfaces	Material	tempered safety glass 10 mm
Substrate	304 s.s	Material	tempered safety glass 10 mm

BLASI
 B.L.A.S.I. G. & A. S.p.A.
 Autostar Drive
 Celli-Beer-Steel S.r.l.
 D - 77172 Marlingo
 Tel. +3902 / 881 - 281
 Fax. +39022 / 881 - 288
 E-mail: info@blasio.it
 www. blasio . info

R41-VV45 Break Out
 SAMPLE DRAWING ONLY

Scale: 1:10
 Date: 02/04



front elevation - outside

Reference	AS 1905.1	AS 1905.1 (2019)	AS 1905.1 (2019)
Standard	tempered safety glass 10 mm	tempered safety glass 10 mm	tempered safety glass 10 mm
Material	tempered safety glass 10 mm	tempered safety glass 10 mm	tempered safety glass 10 mm
Notes			

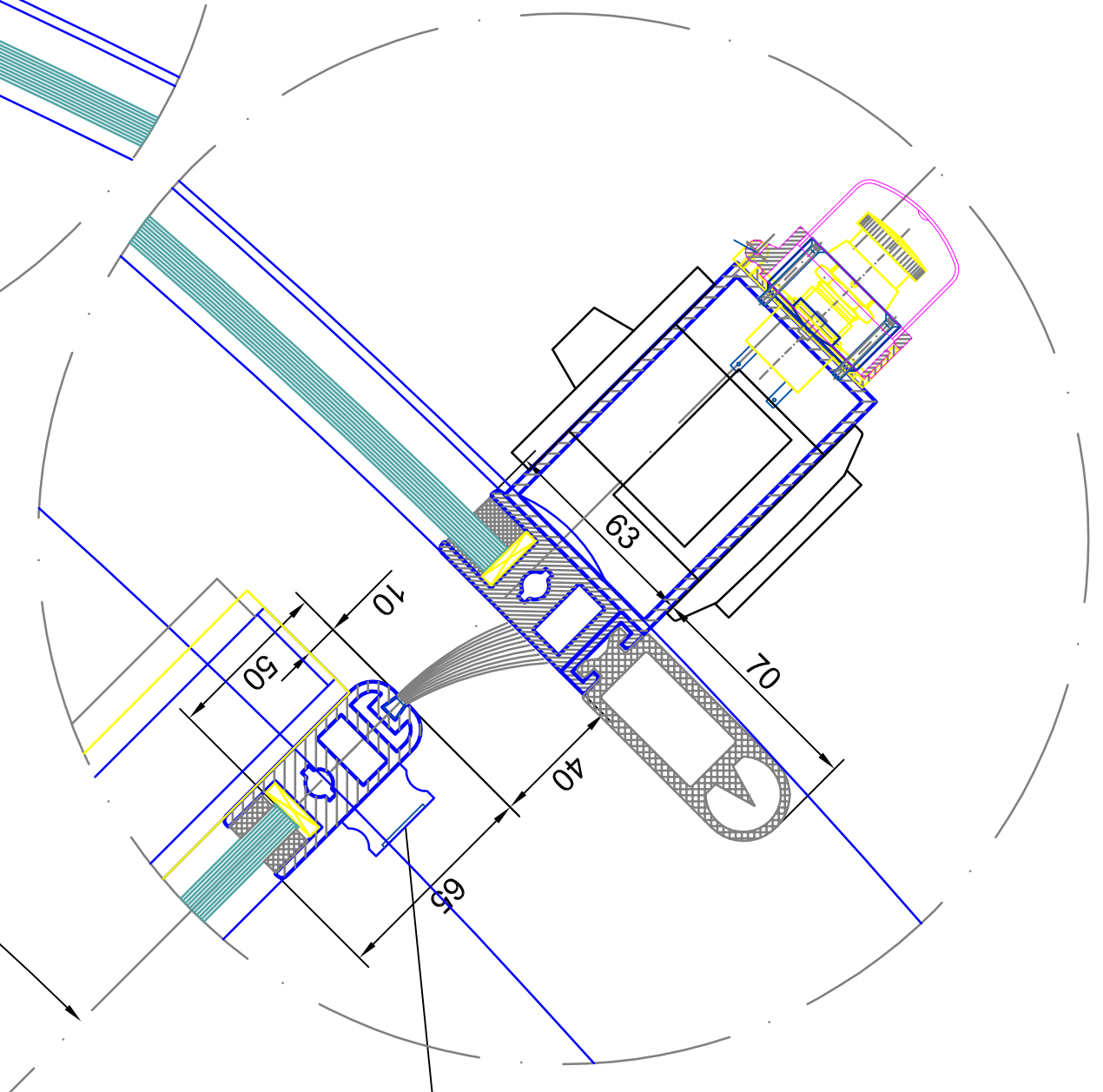
BLASI
 B.L.A.S.I. G. & A. S.p.A.
 Autostar, P.O. Box 299
 Cellier, Strada 5-15
 0 - 77972 Malborg

Tel. +39032 / 880 - 299
 Fax. +39032 / 880 - 298
 E-mail: info@blasio.it
 www.blasi.info

Project: **K41-VV45 Break Out**
 Title: **SAMPLE DRAWING ONLY**

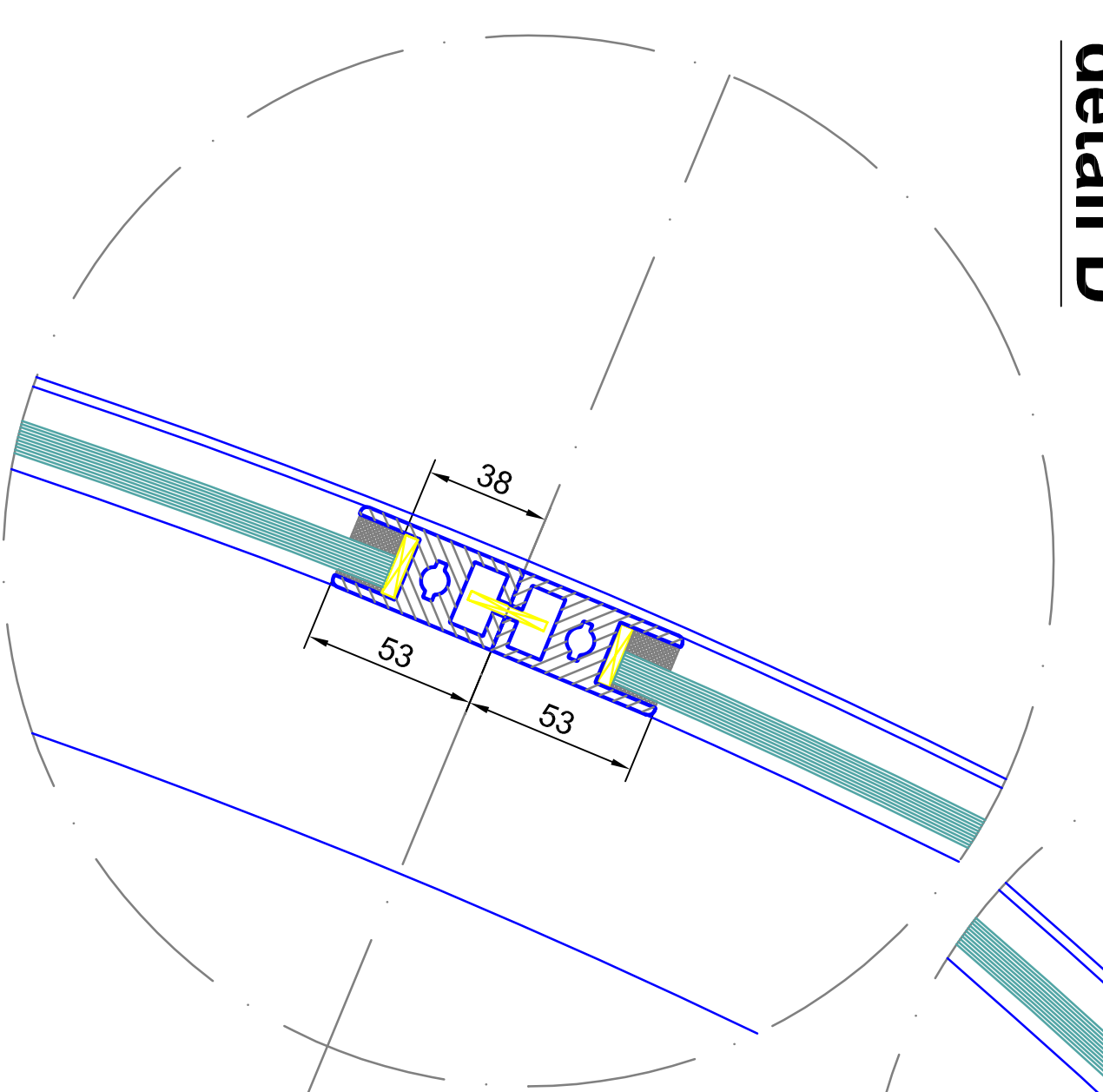
Scale: 1:10
 Date: 03/04/2024
 Sheet: 03
 From: 04

detail E

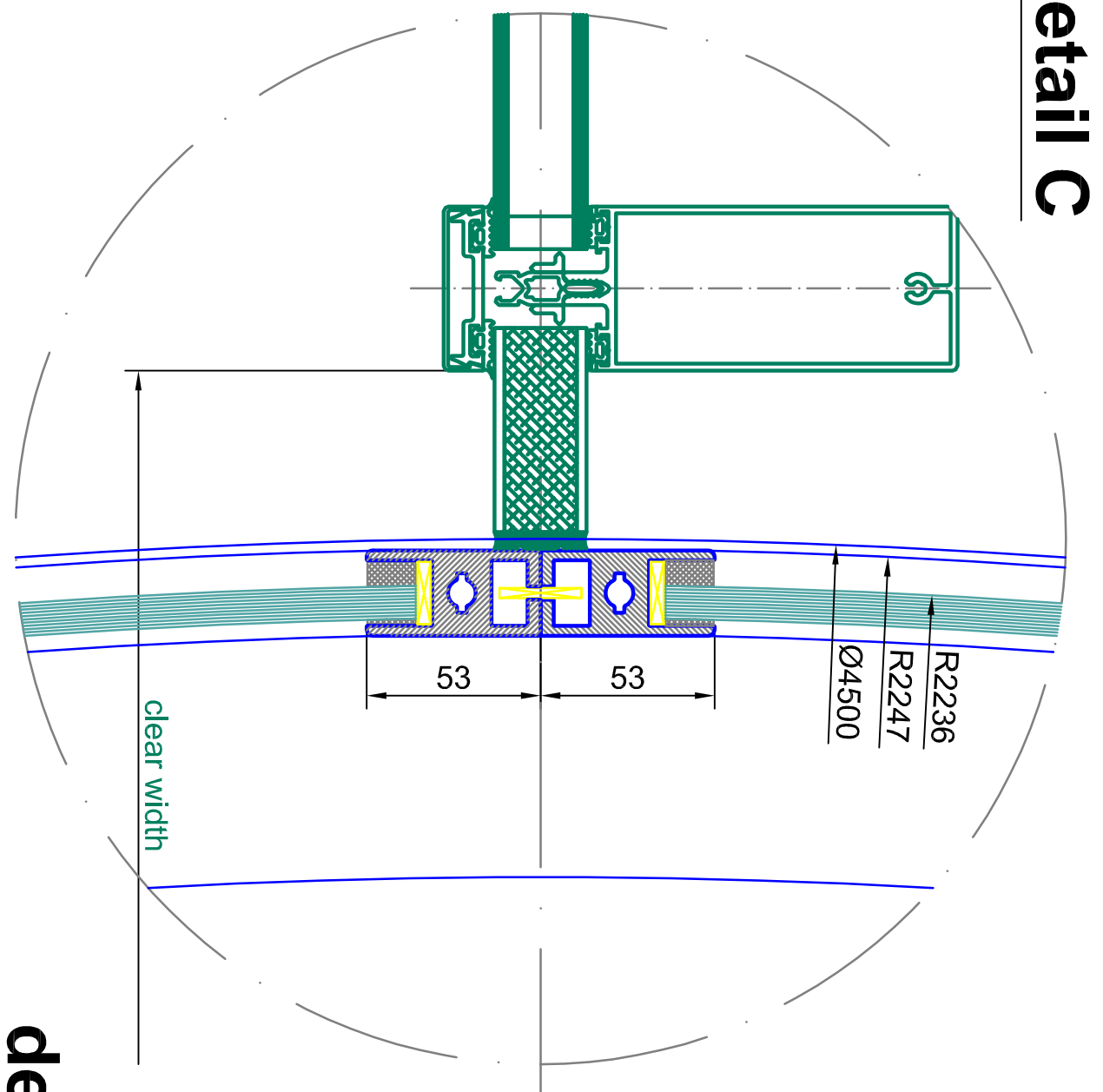


inside

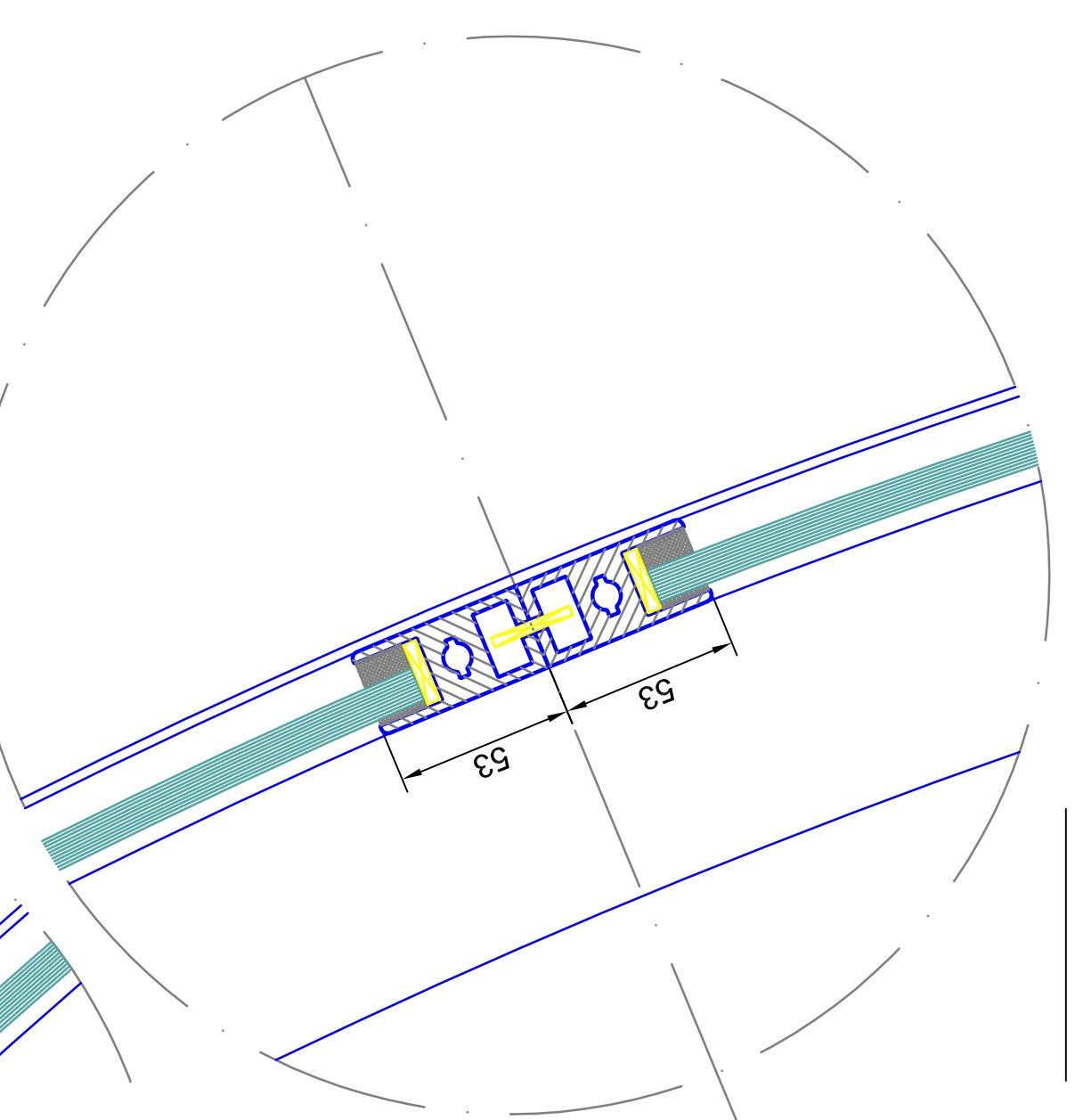
detail D



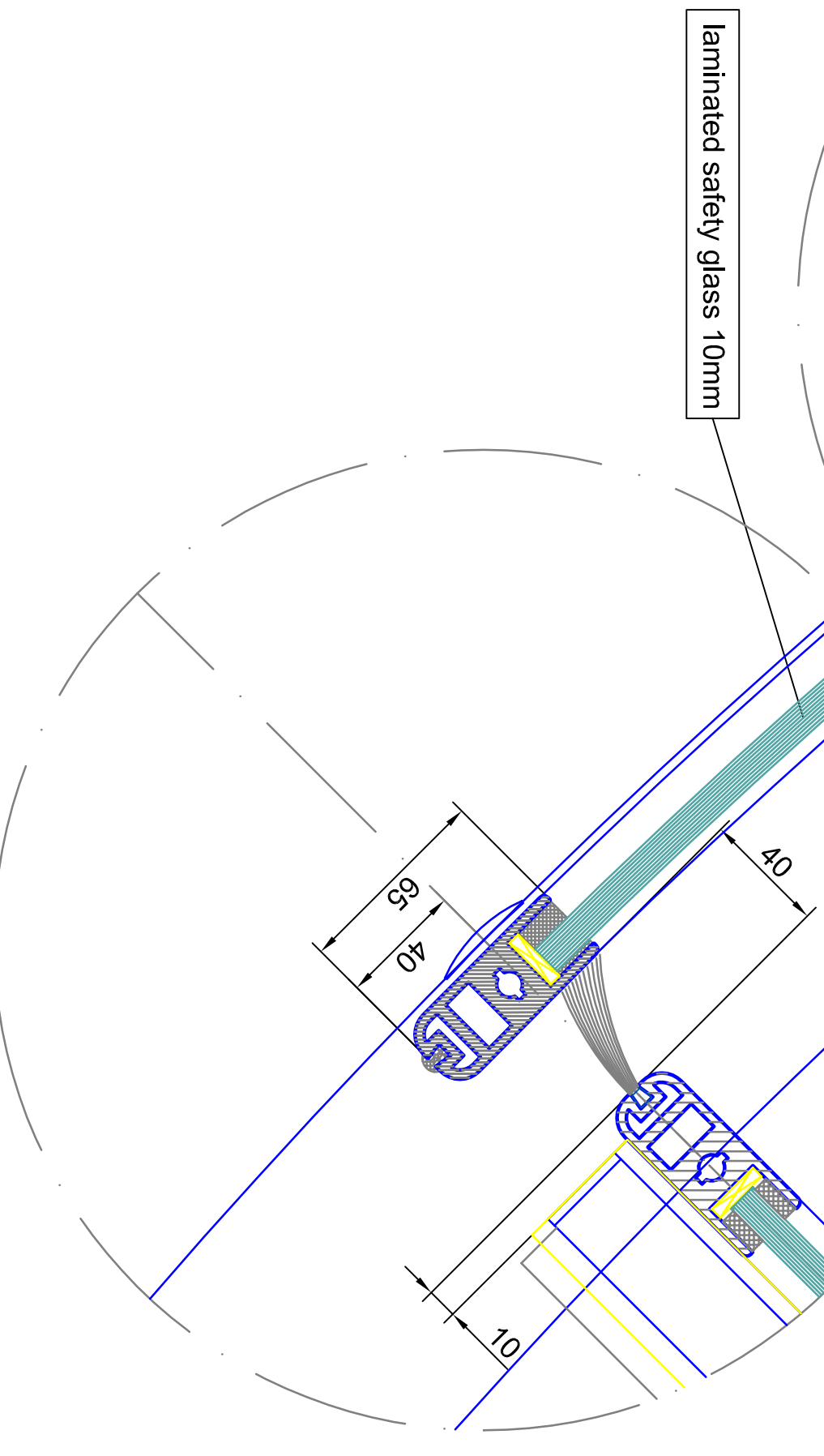
detail C



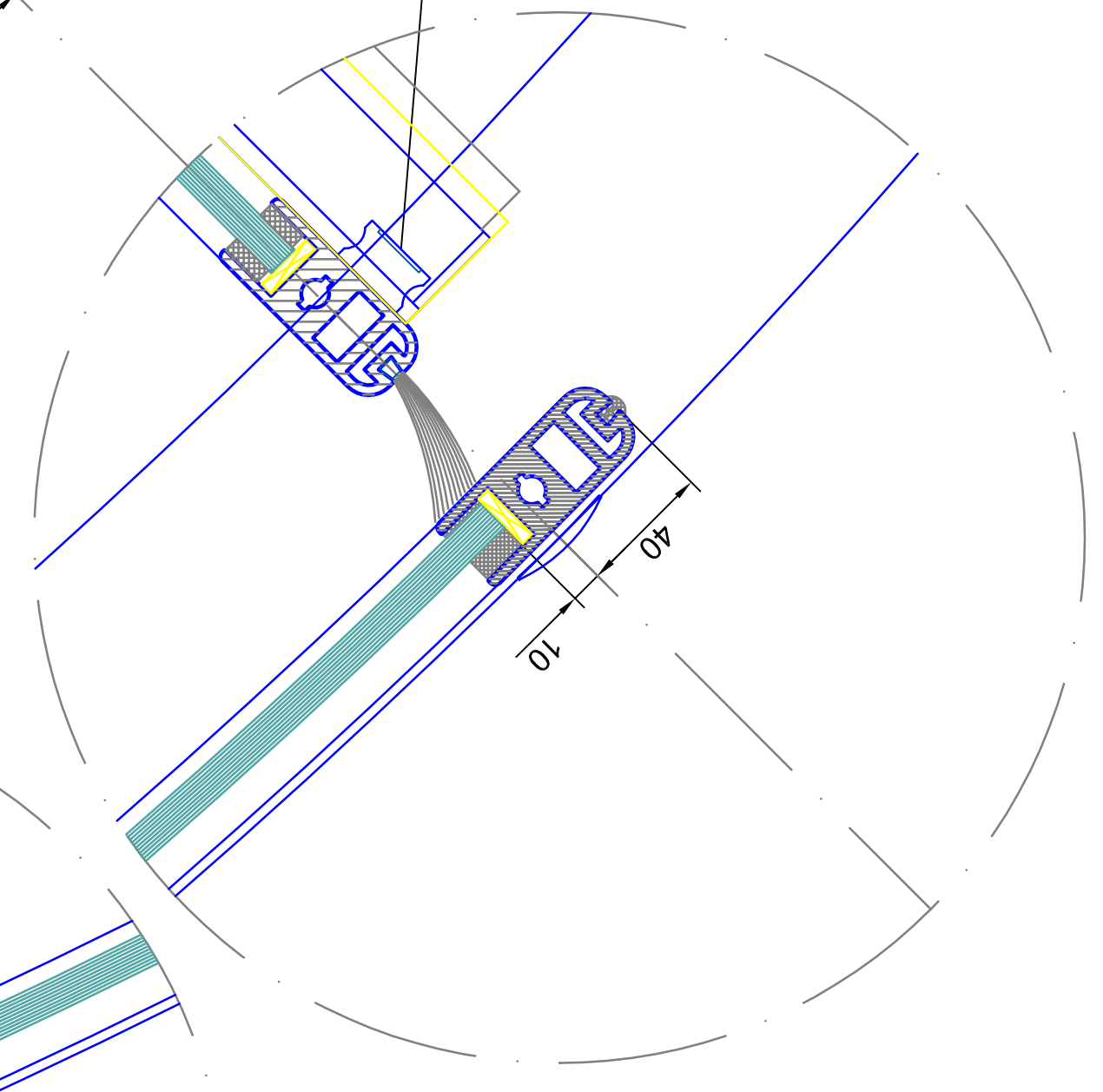
detail B



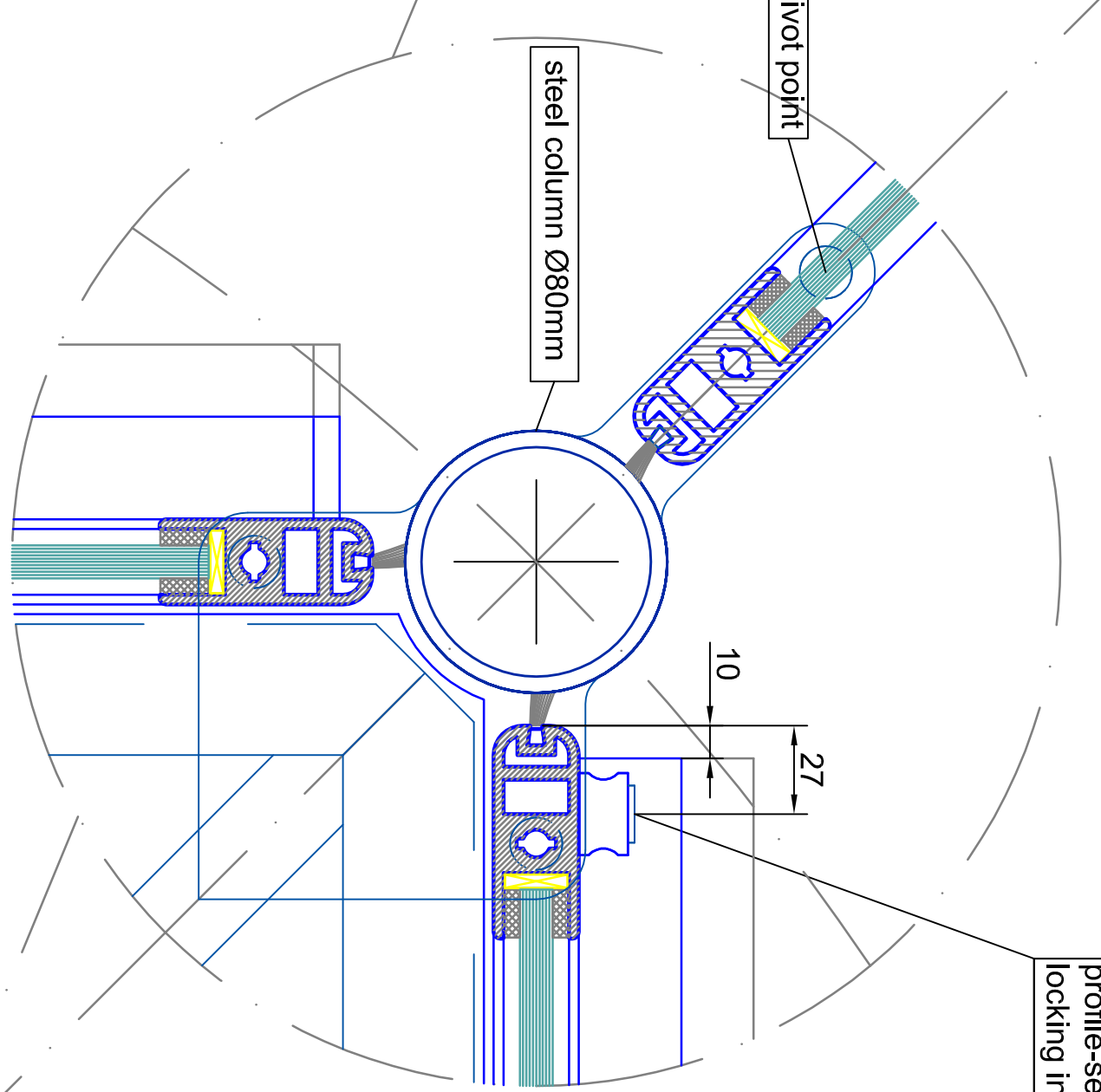
detail A



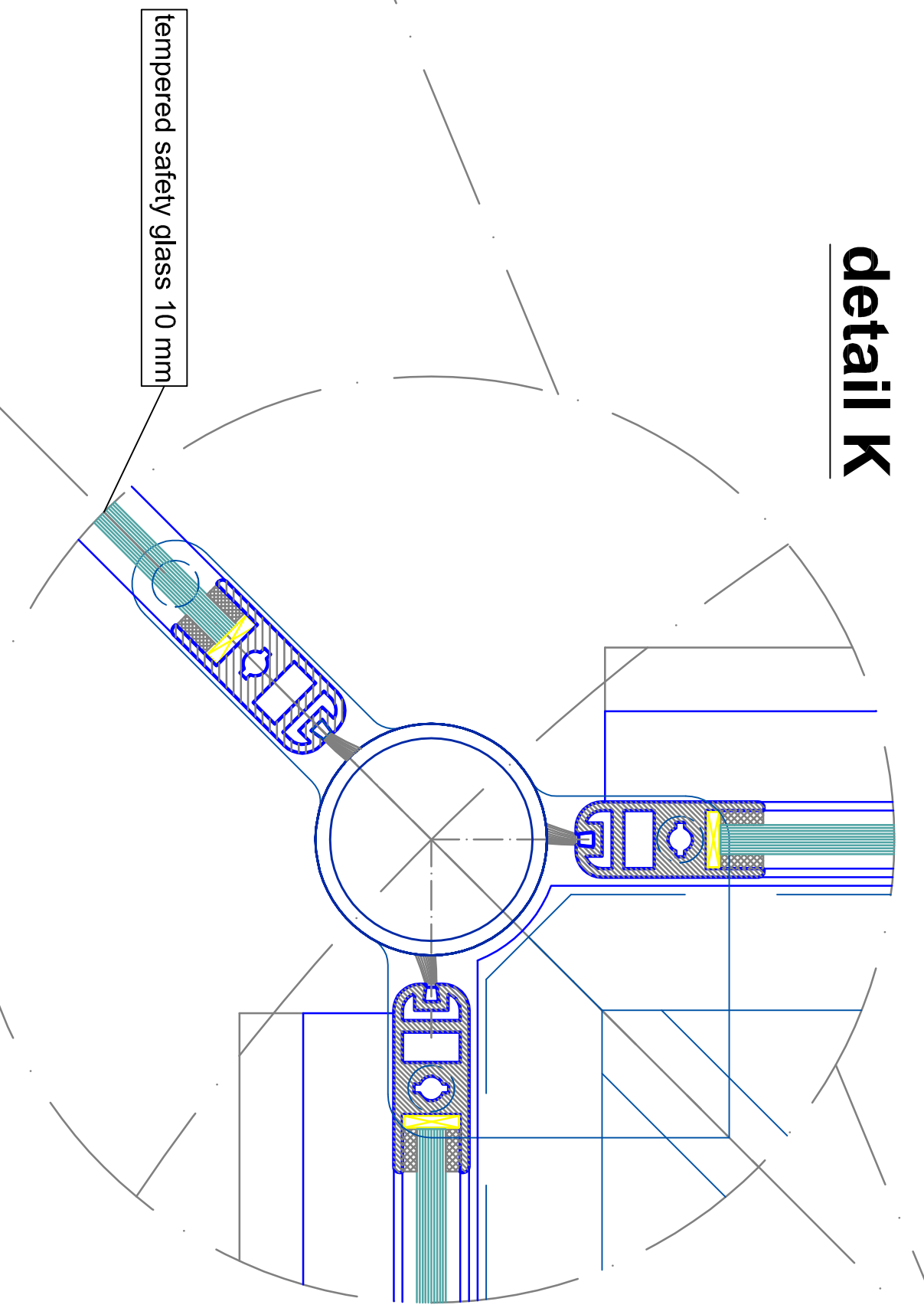
detail F



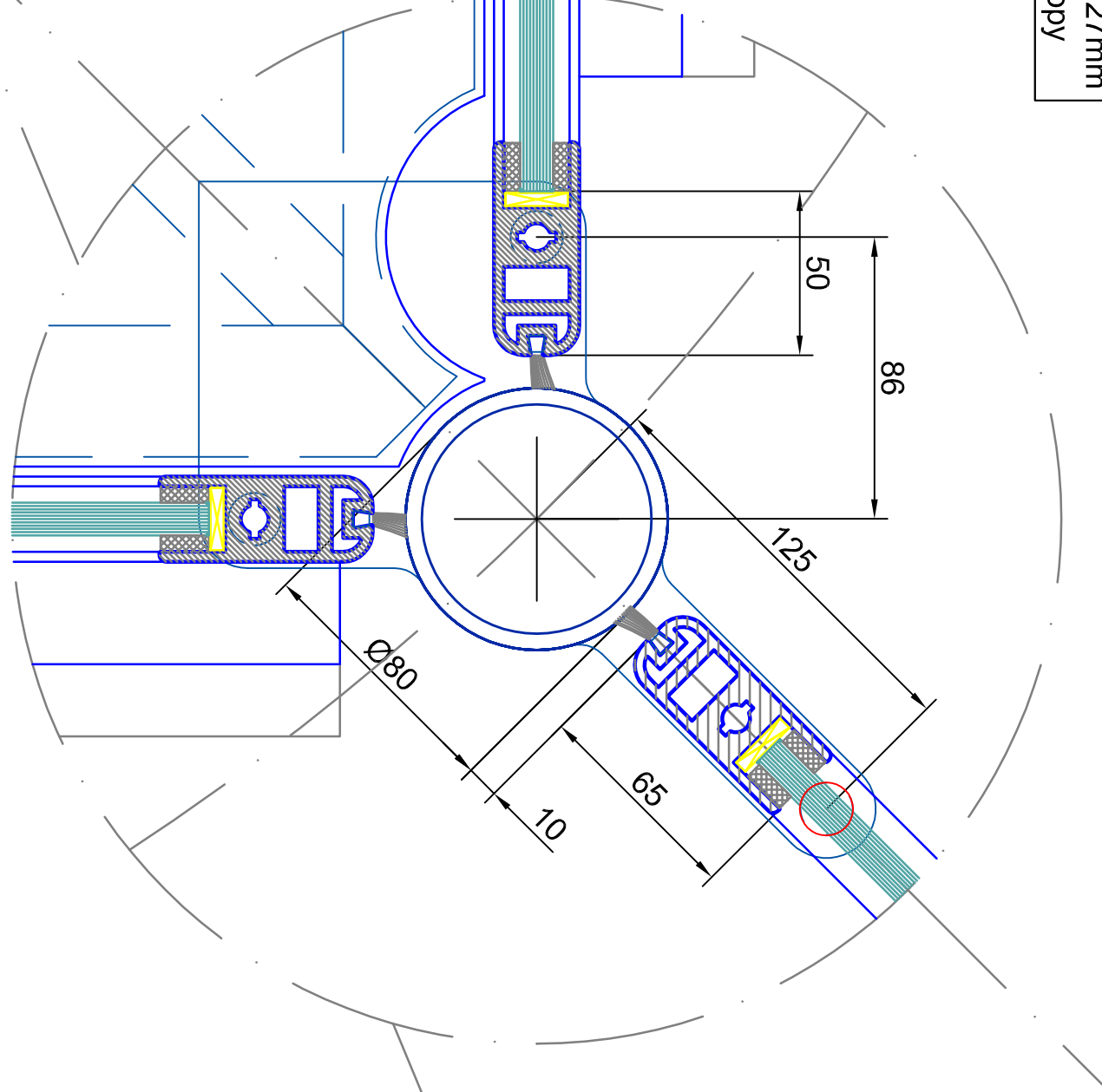
detail L



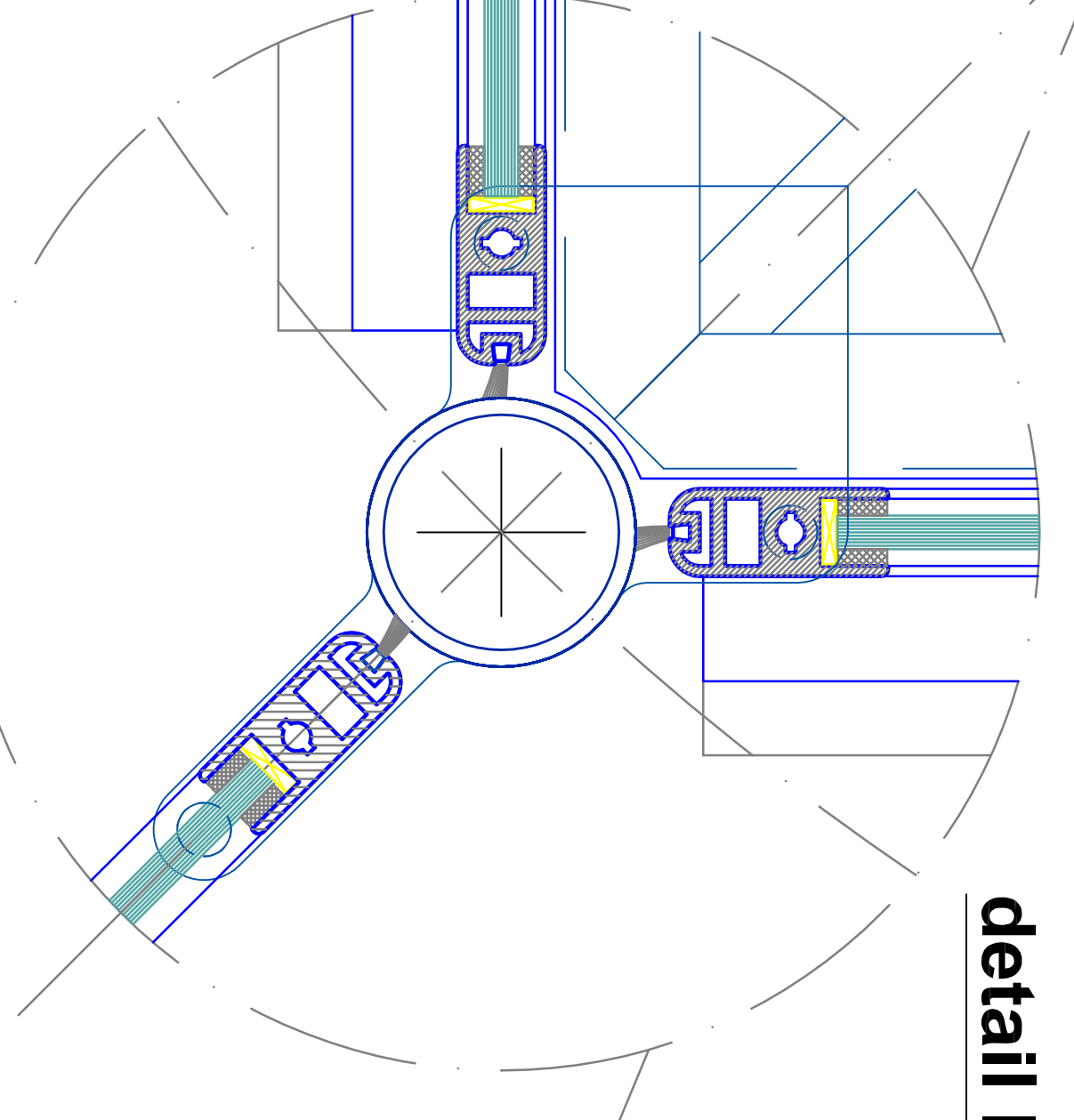
detail K



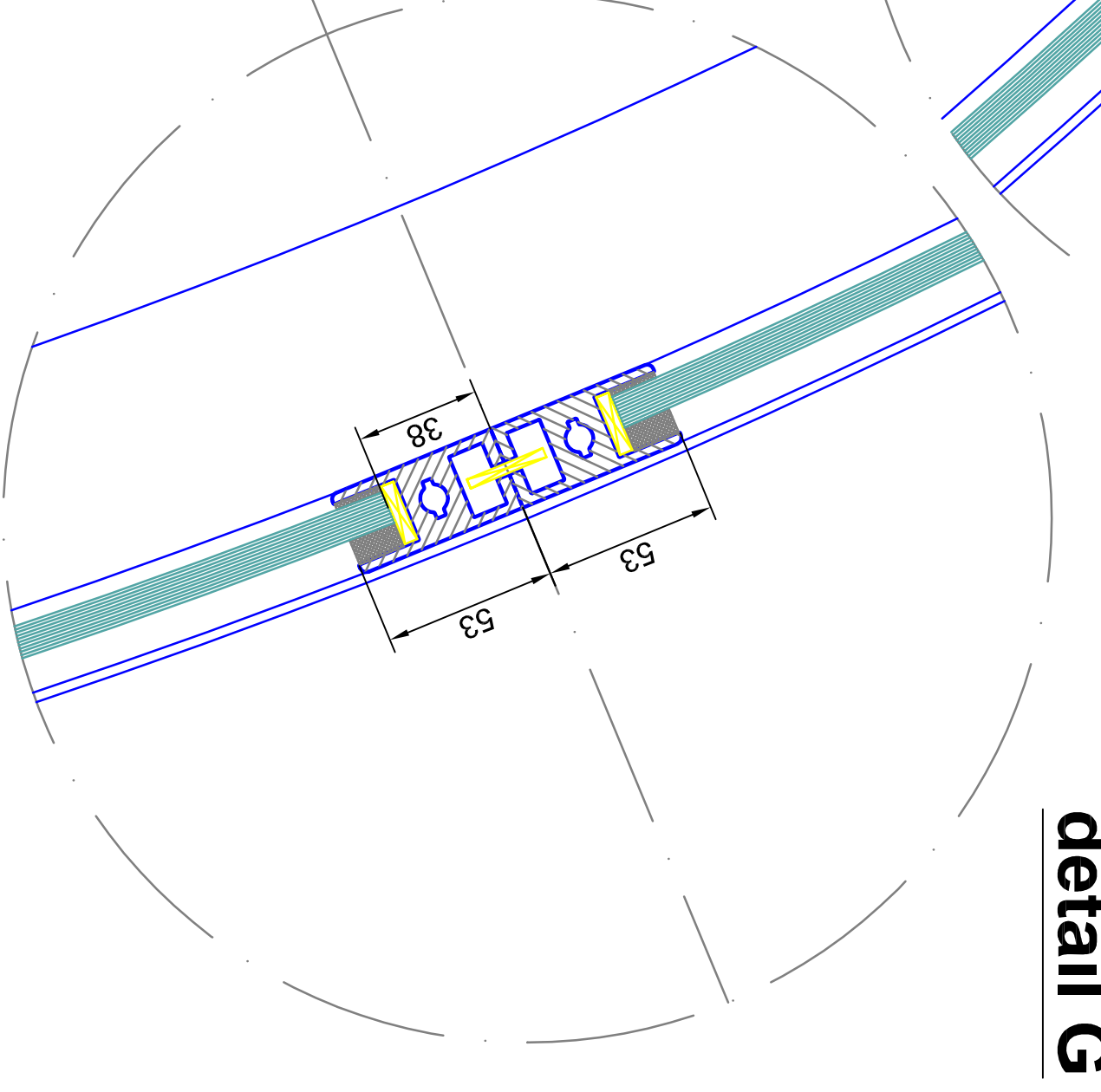
detail M



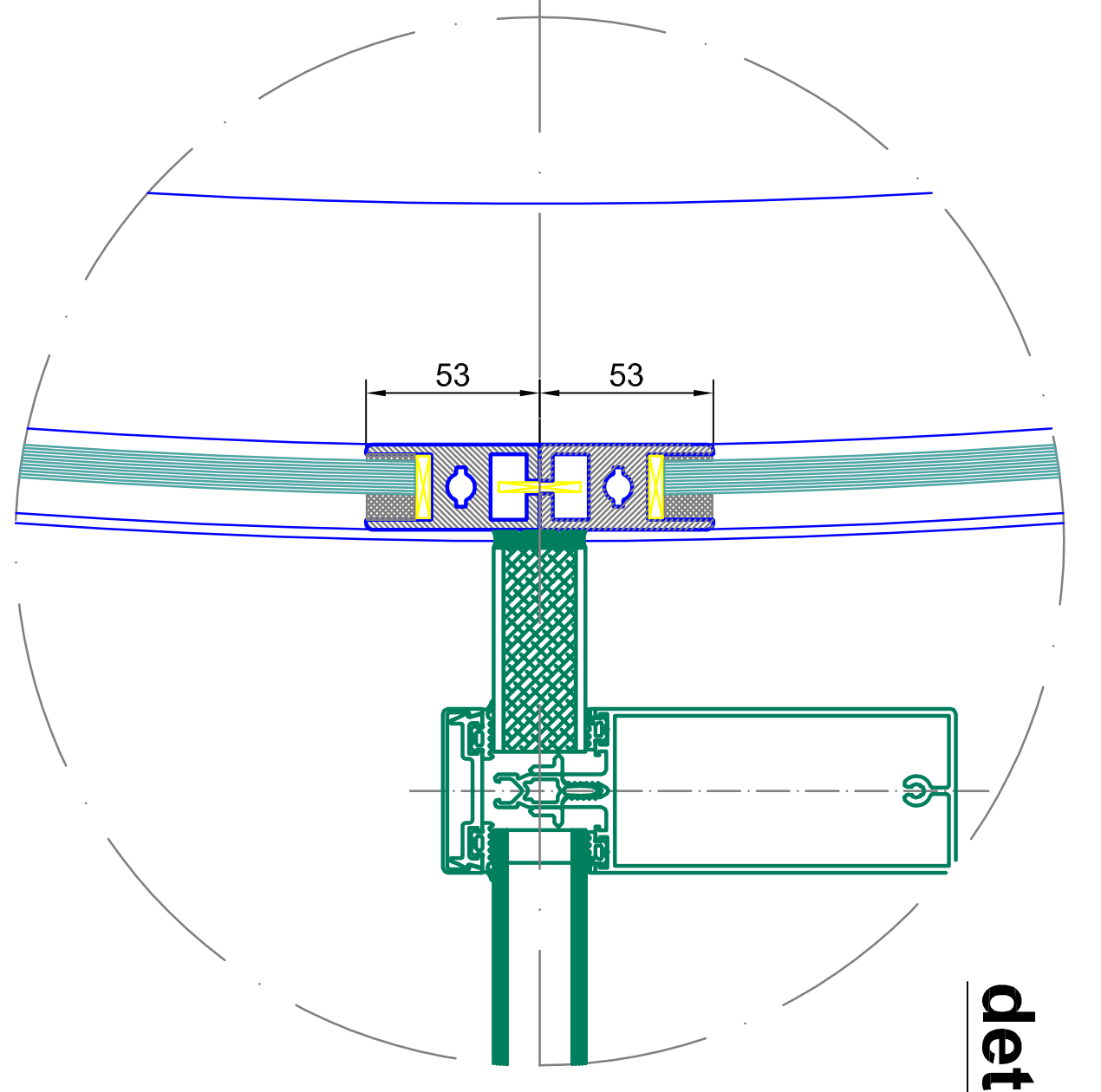
detail N



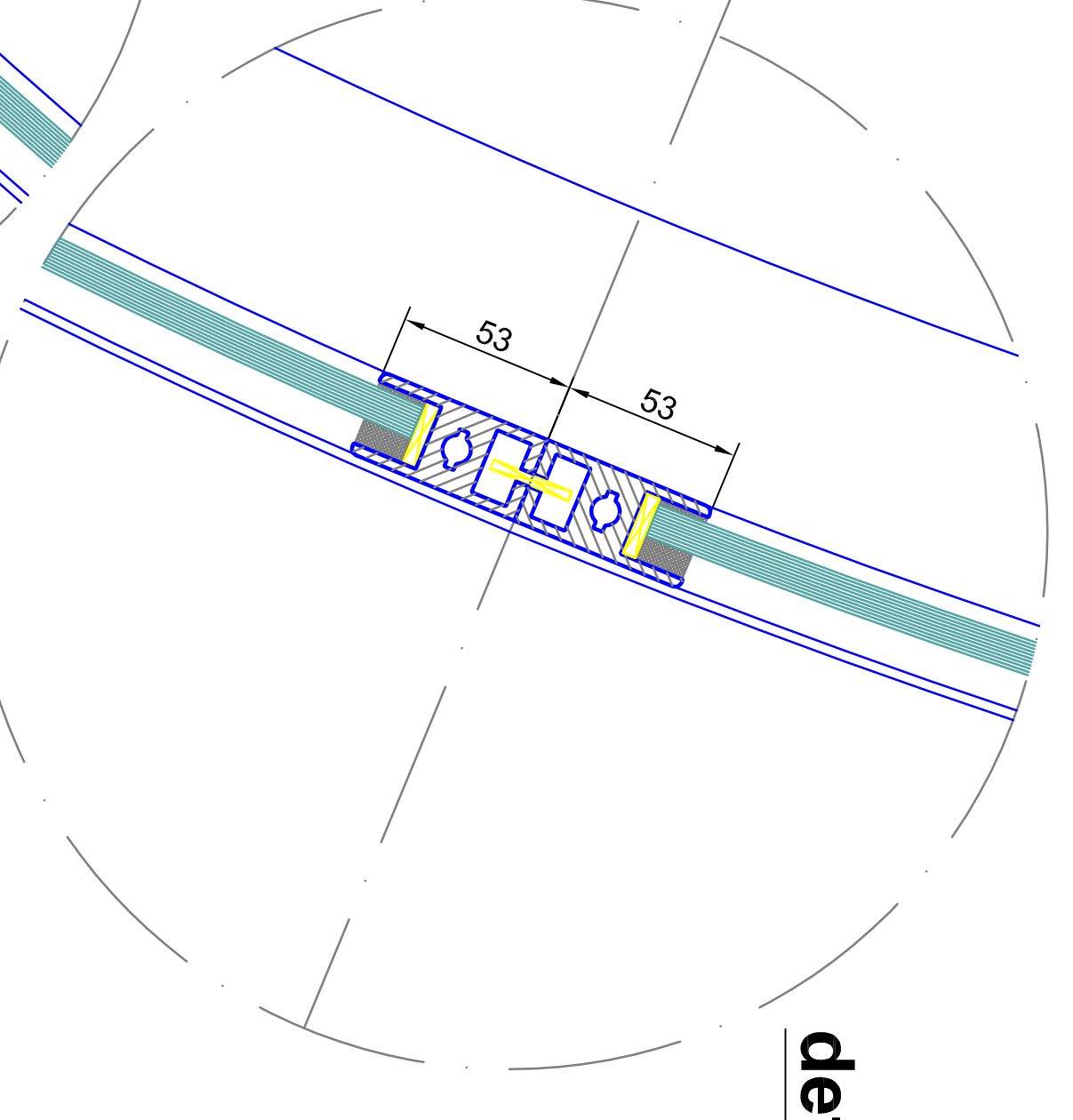
detail G



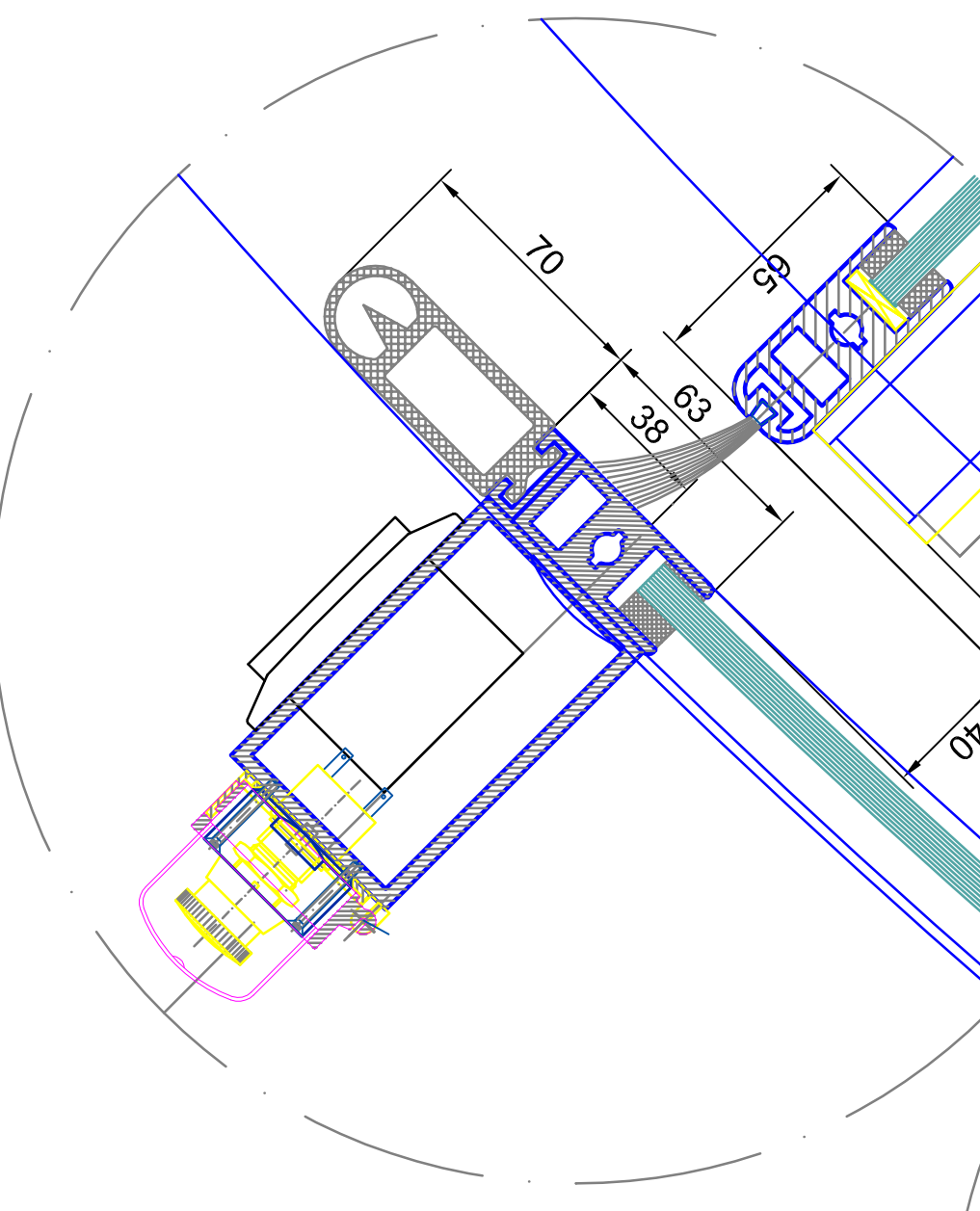
detail H



detail I



detail J



outside

		Blasi S.p.A. S.p.A. Autostar - Steel 5-15 D - 77172 Mallesano		Tel. +39022 7801 291 Fax. +39022 7801 299 E-mail: info@blasi.it www.blasi.info	
Scheda:		All'usabile esterno (DIN 9931)		All'aperta:	
Materiali:		304 s316		laminated safety glass 10 mm	
Note:		All'aperta:		laminated safety glass 10 mm	
Modificazioni:		Contatore No.		Data:	
Scale:		1:1		1:1	
Titolo:		R41-1-VV-45 Break Out		Tipo:	
Cliente:		SAMPLE DRAWING ONLY		Data:	
Disegnato:		Data:		Verificato:	
Approvato:		Data:		Data:	