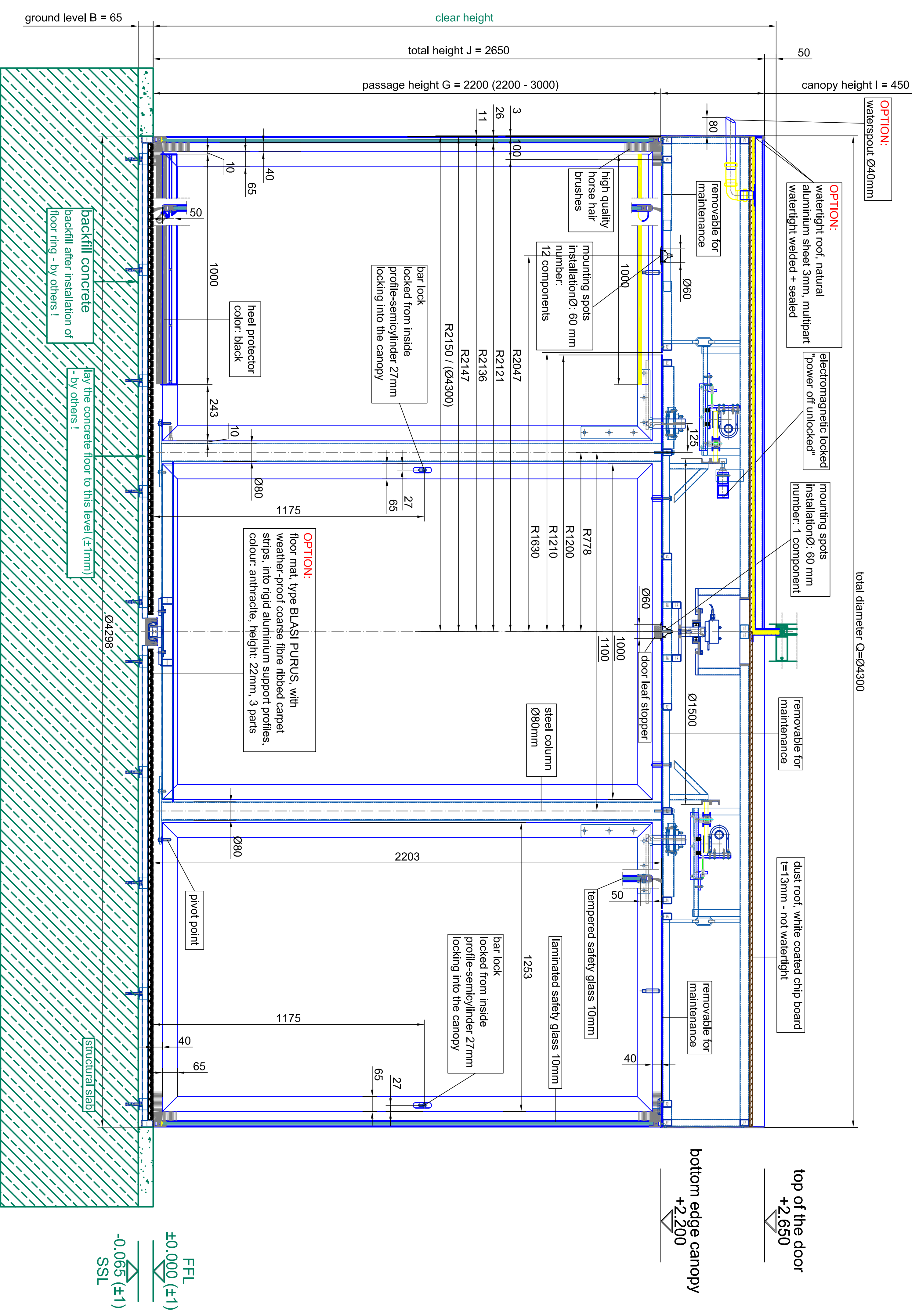


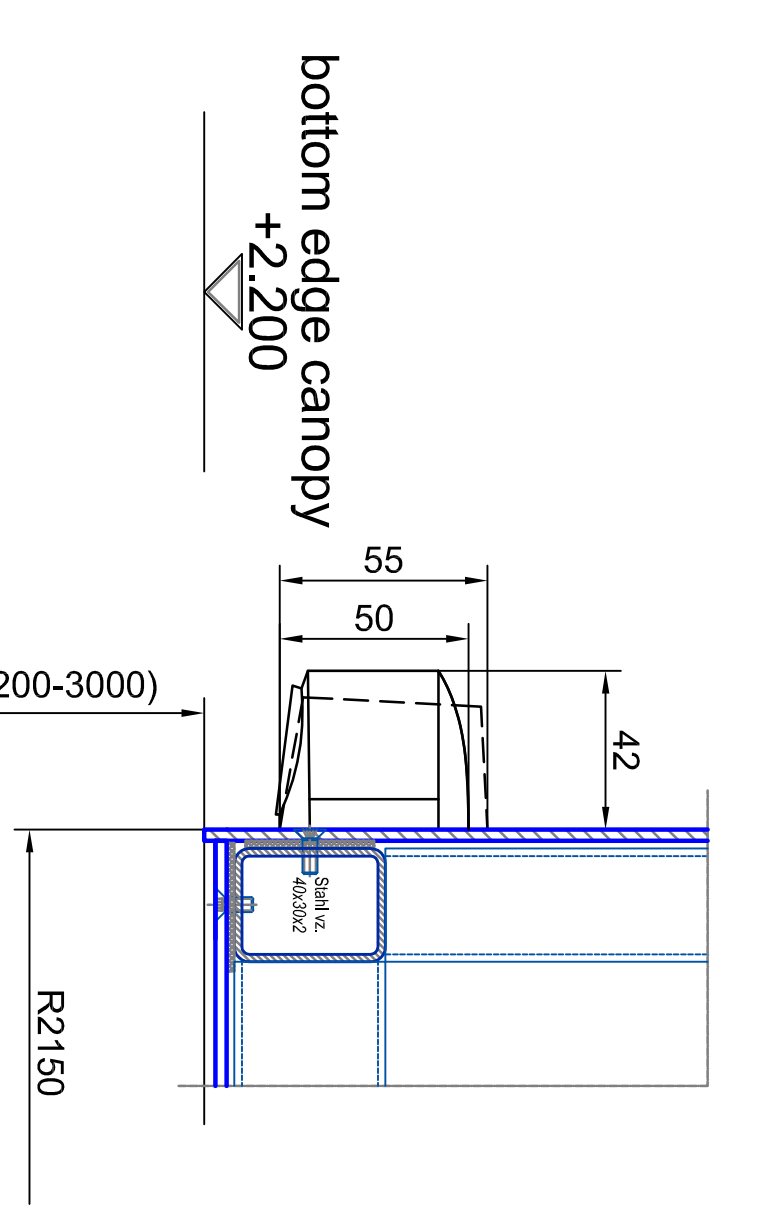
outside

vertical section

inside



vertical section - passage area
A0 - M 1:2

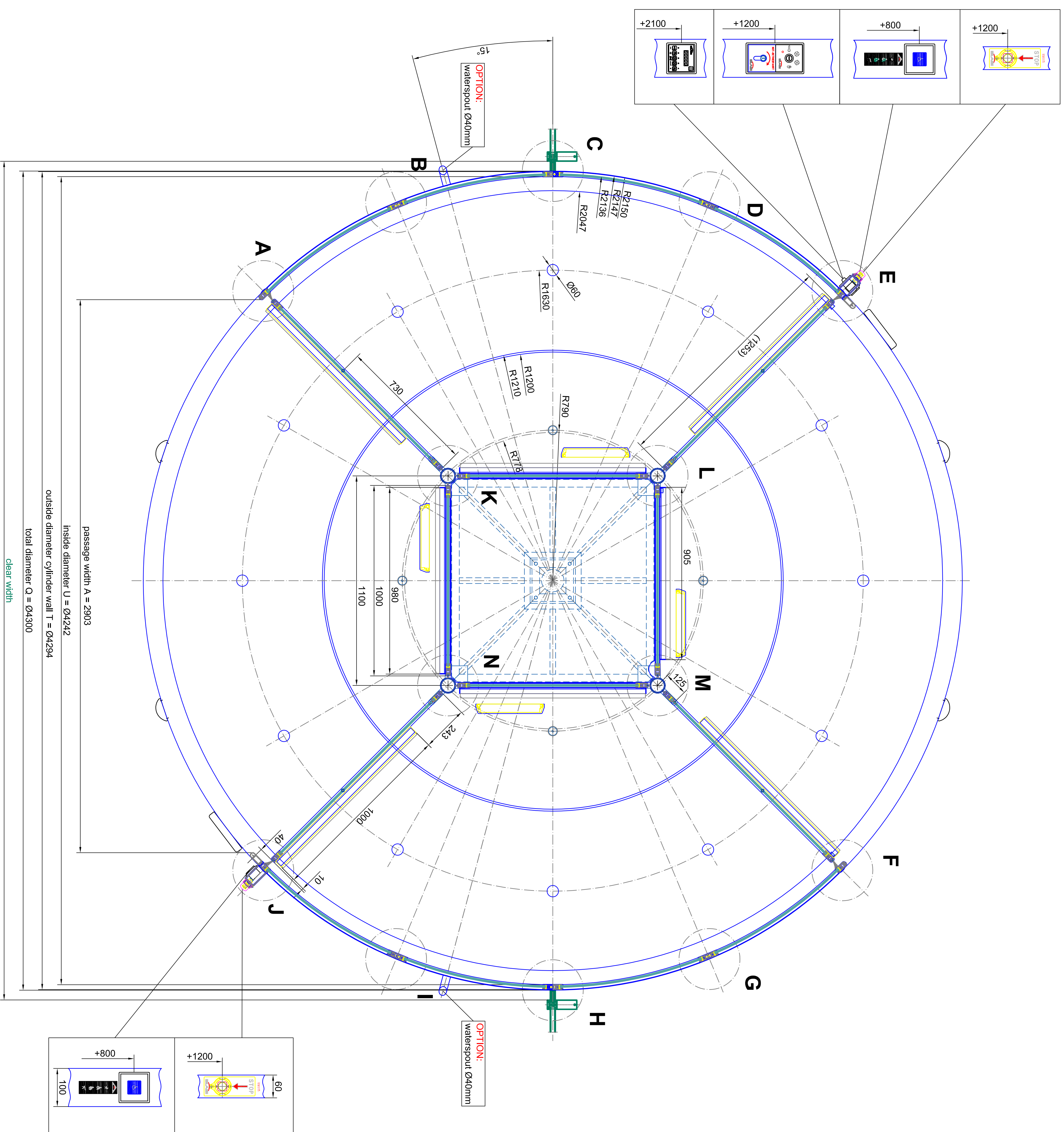


Material	As visible on drawing	As specified in components
Shade	30x43 (DIN 7991)	must be selected by customer
Glazing	tempered safety glass 10 mm	tempered safety glass 10 mm

BLASI
 B.L.A.S.I. G. & A. S. r.l.
 Aut. Min. Sic. n. 1000/2001
 Aut. Min. Sic. n. 1000/2001
 Tel. +39 02 76 00 29 29
 Fax. +39 02 76 00 29 29
 E-mail: info@blasio.it
 www.blasi.it

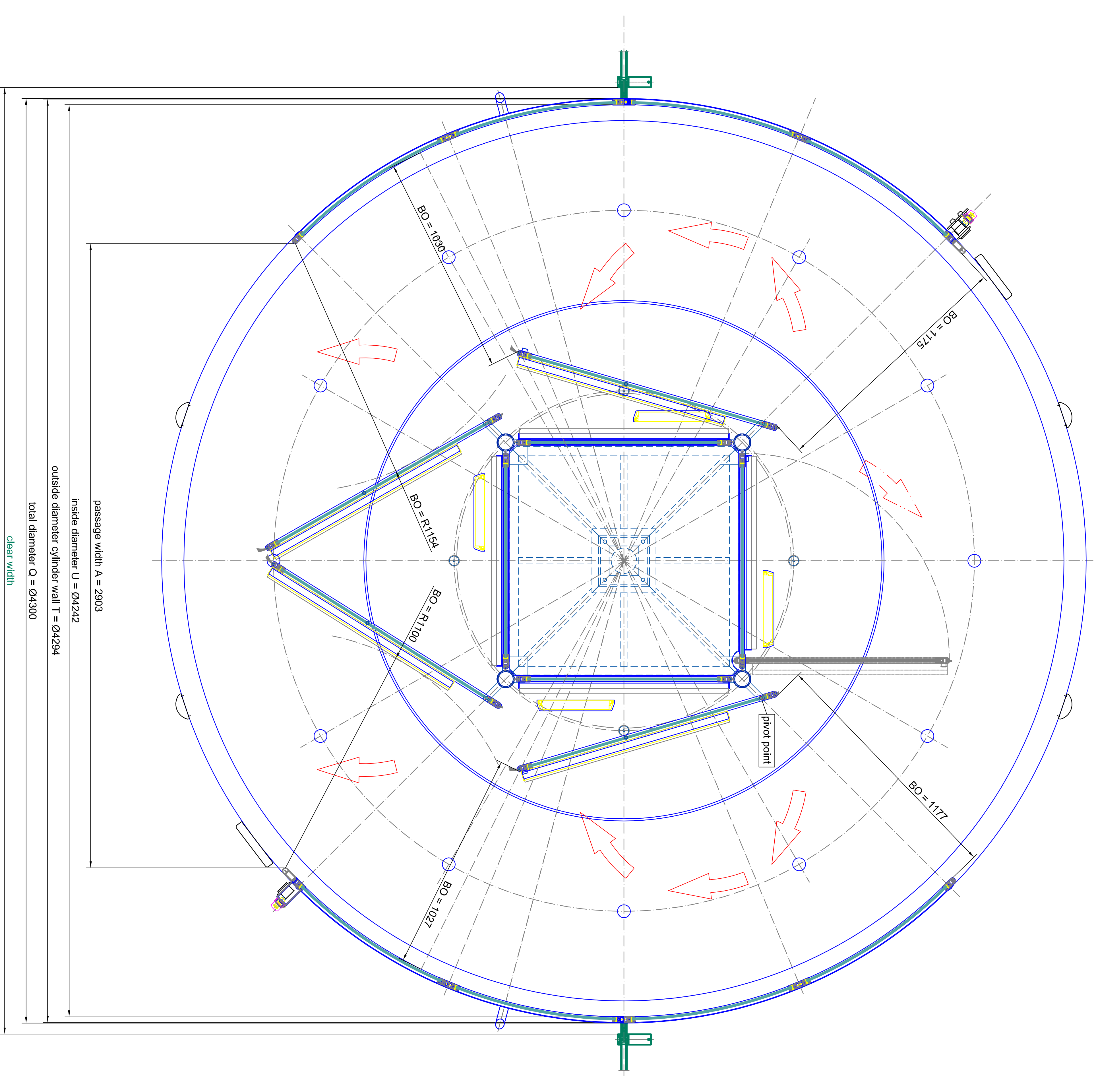
K41-VV43 Break Out
 SAMPLE DRAWING ONLY

Scale: 1:10
 Date: 01/04/2024
 Drawing No.: 04



inside

outside



horizontal section - door in standard position

horizontal section - door in break out position

Material	Alu. visible surface	304 s316 (EN 1993)	Alu. painted components must be selected to comply
Panel	tempered safety glass 10 mm	304 s316	tempered safety glass 10 mm

Notes: The drawing is for the complete door. It is not intended to be a reference to the individual components.

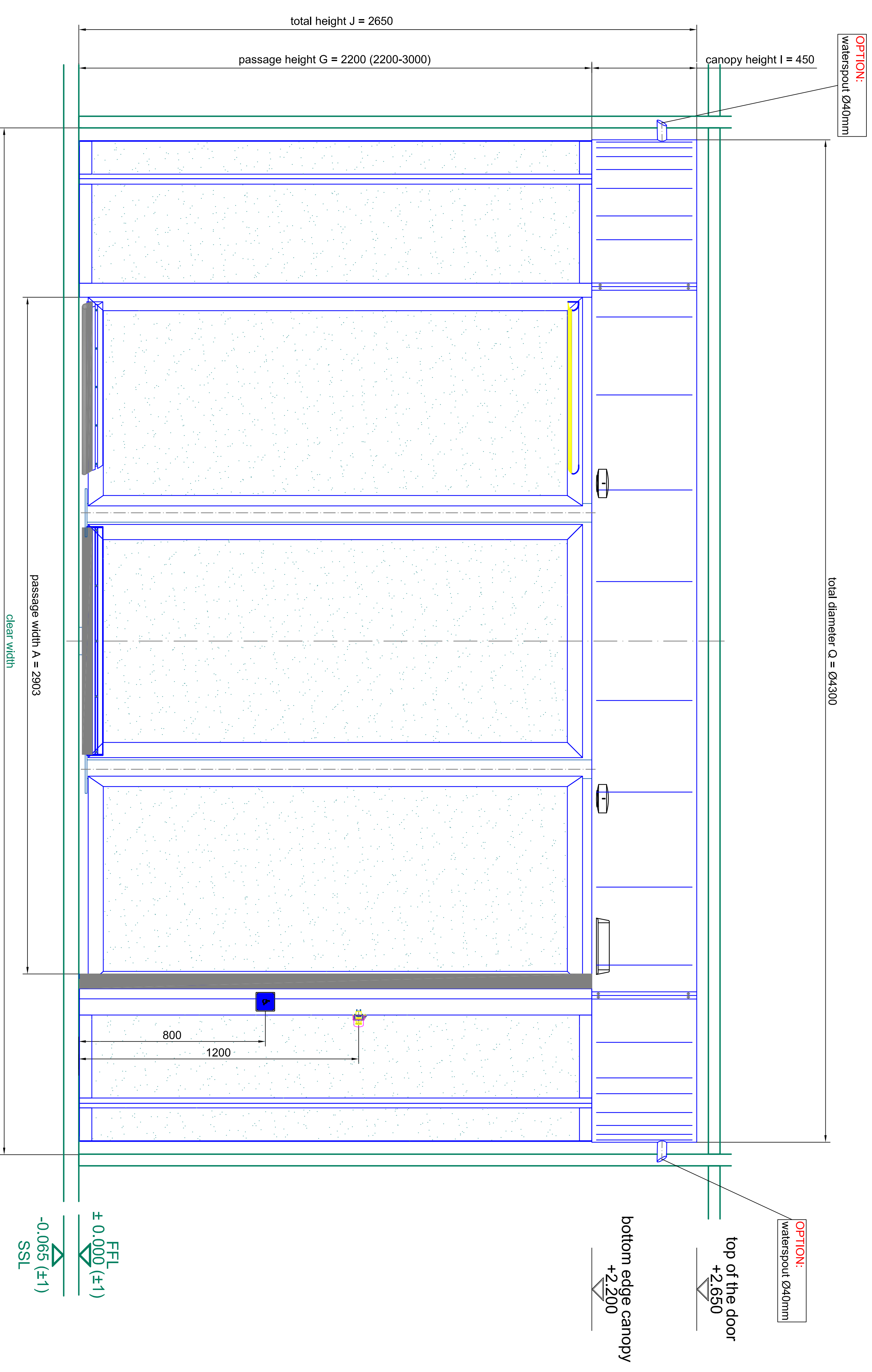
BLASI
 B.L.A.S.I. G. & A. S. r.l.
 Aut. Min. Sc. n. 1000/2011
 Cert. Inter. Steel S. 15
 D. 77372 Malibon

14 - 40132 / 201 - 291
 15 - 40132 / 881 - 291
 E-mail: info@blasio.it
 www.blasi.info

Model: **K41-VM43 Break Out**
 Project: **SAMPLE DRAWING ONLY**

Scale: 1:10
 Date: 02/04/2024
 Sheet: 02
 From: 04

front elevation - outside



Material	tempered safety glass 10 mm	30x43	(EN 10621)	As per material components must be selected to comply
Material	tempered safety glass 10 mm	30x43	(EN 10621)	As per material components must be selected to comply

BLASI

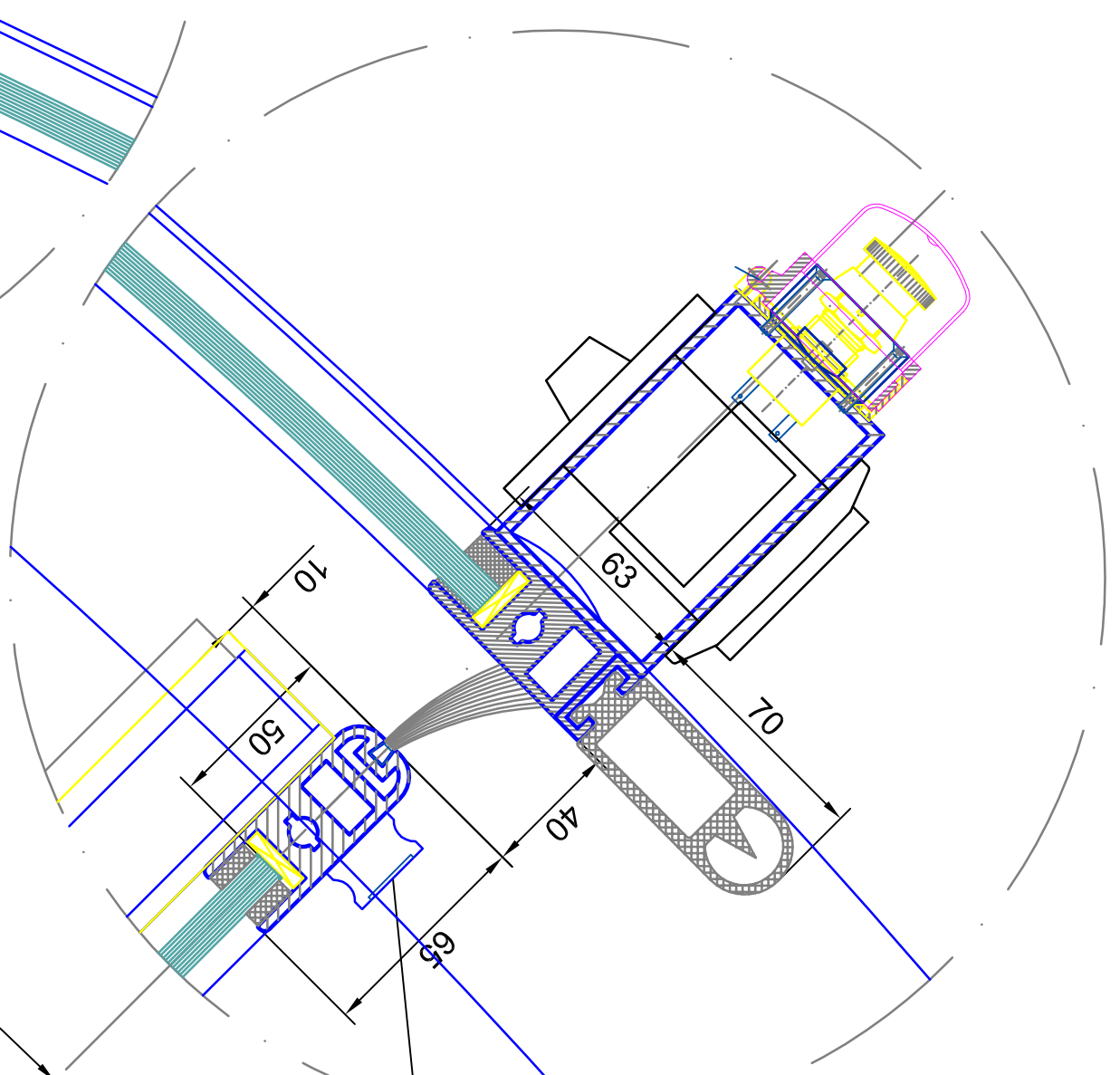
B.L.A.S.I. S.p.A. - Italy
Automatic Door
Call Center - Email - Website

14 - 40139 P. 291
Tel. +390522 7881 288
E-mail: info@blasio.it
www.blasi.it

K41-VV43 Break Out
SAMPLE DRAWING ONLY

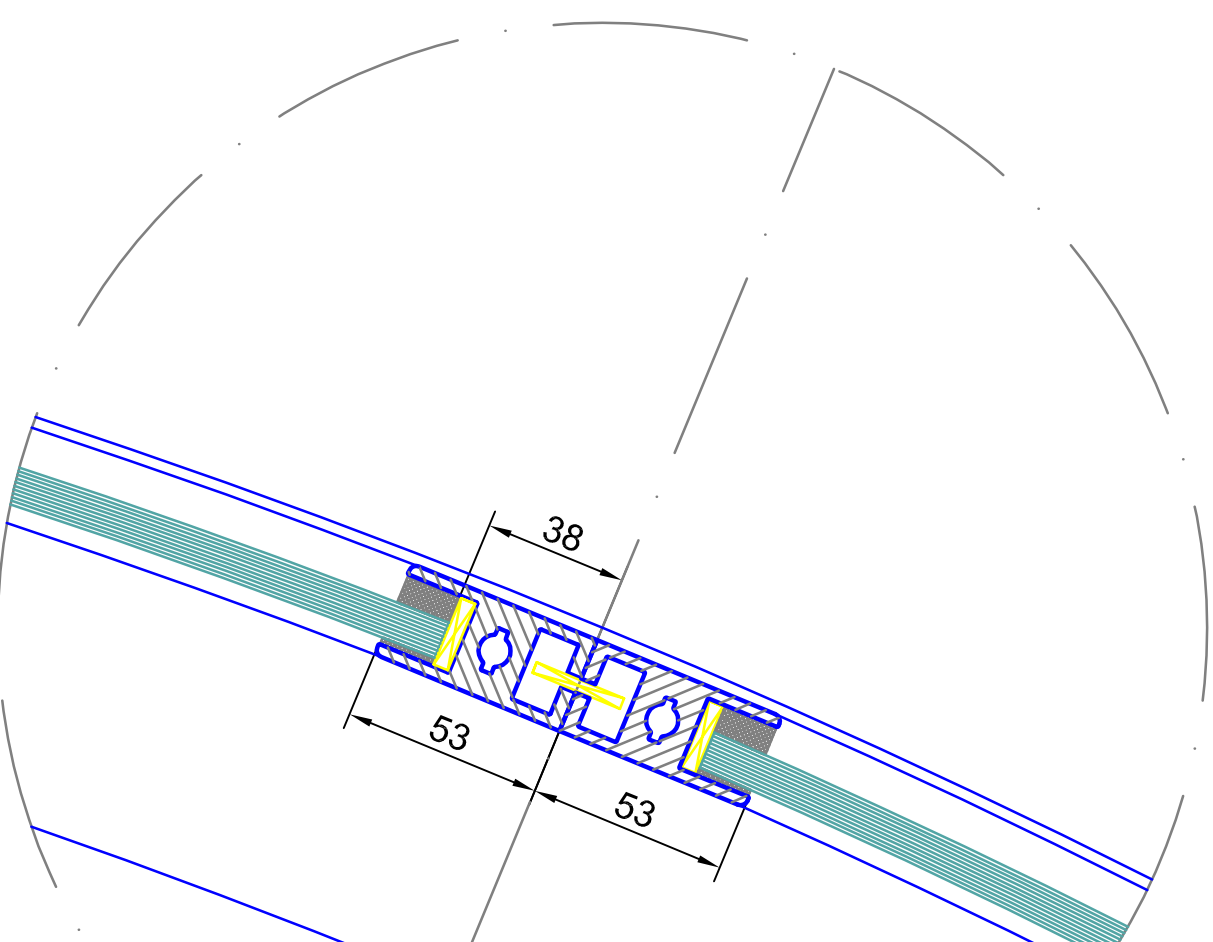
Scale: 1:10
Date: 03/04

detail E

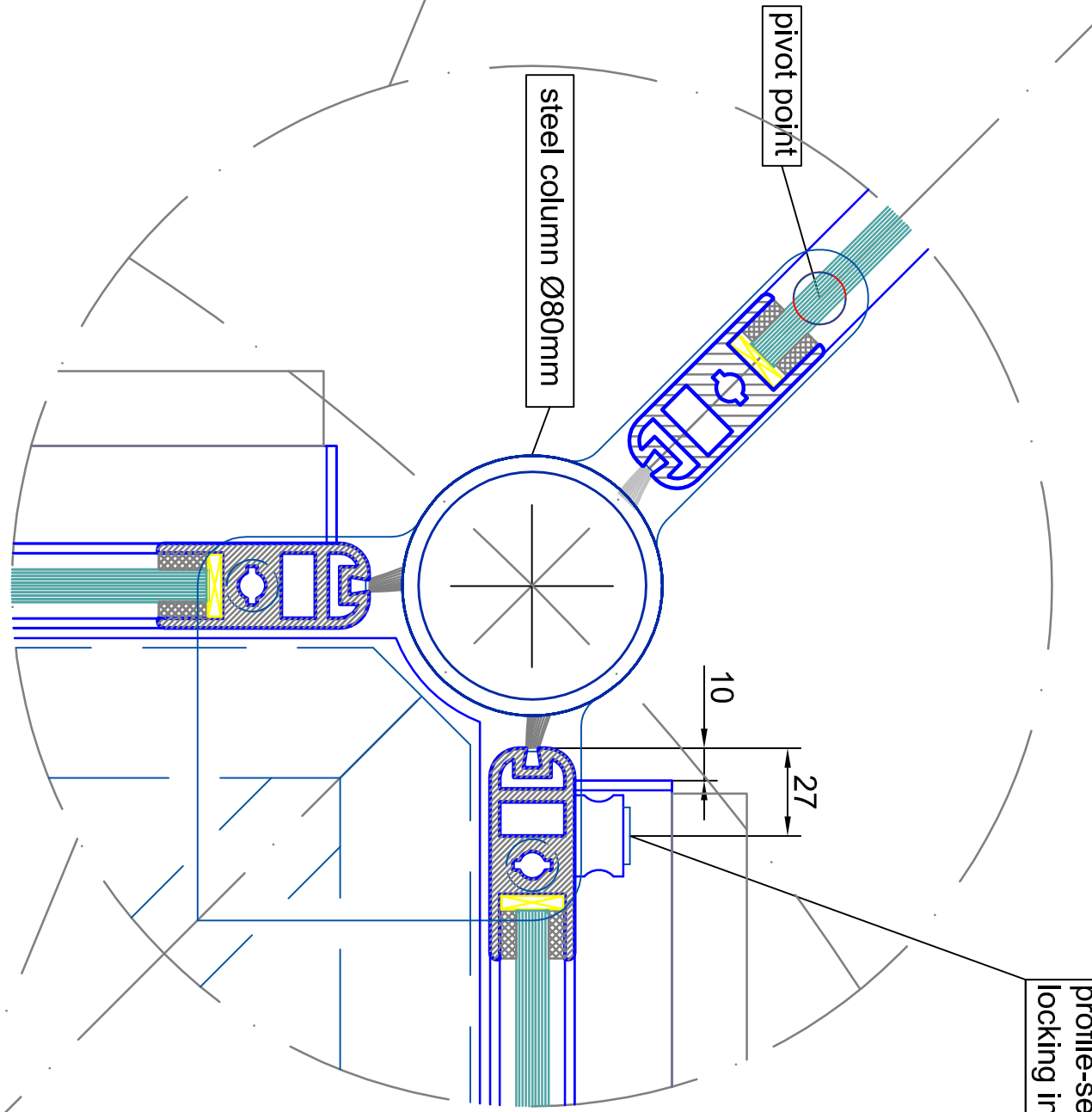


inside

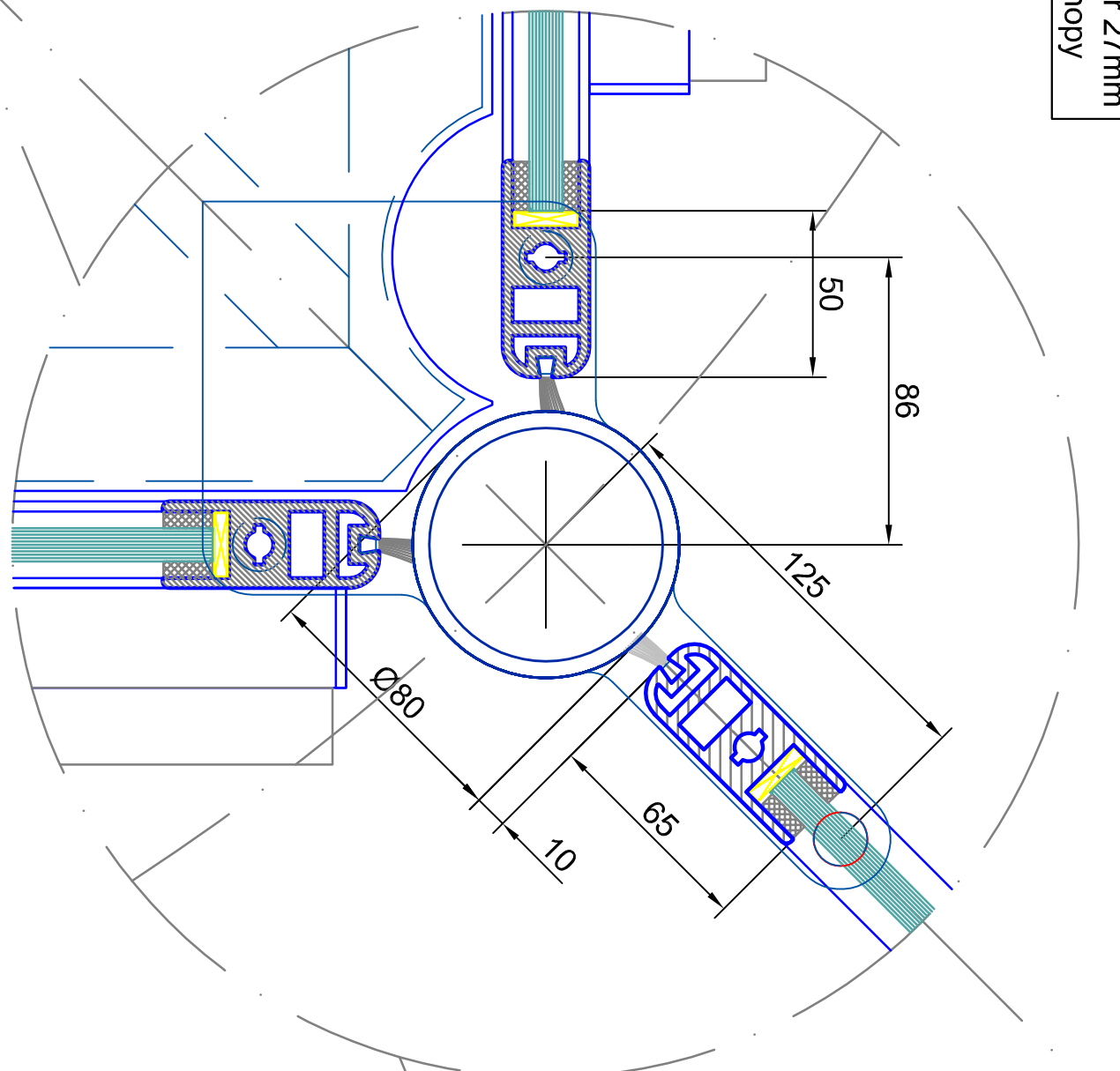
detail D



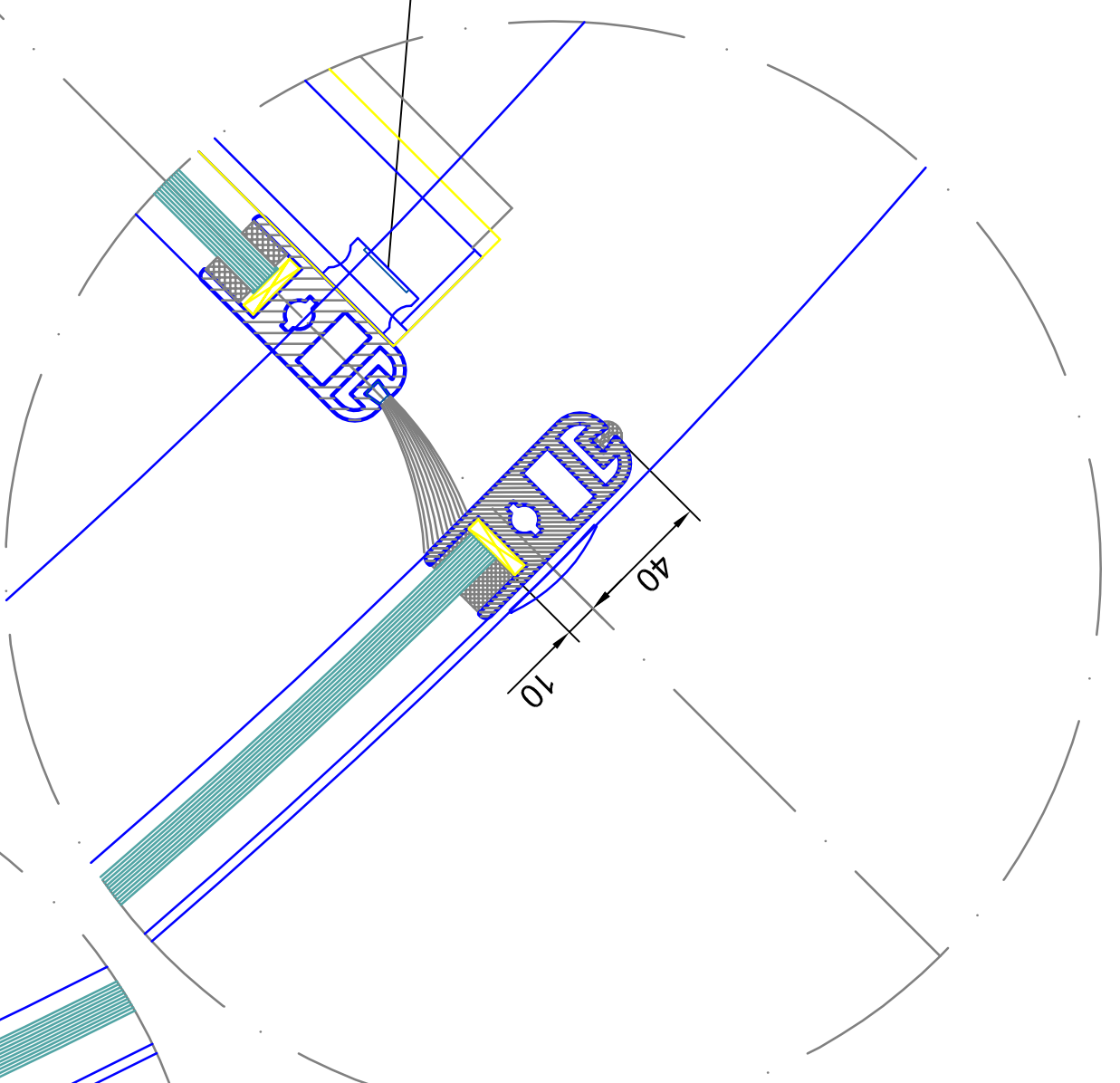
detail L



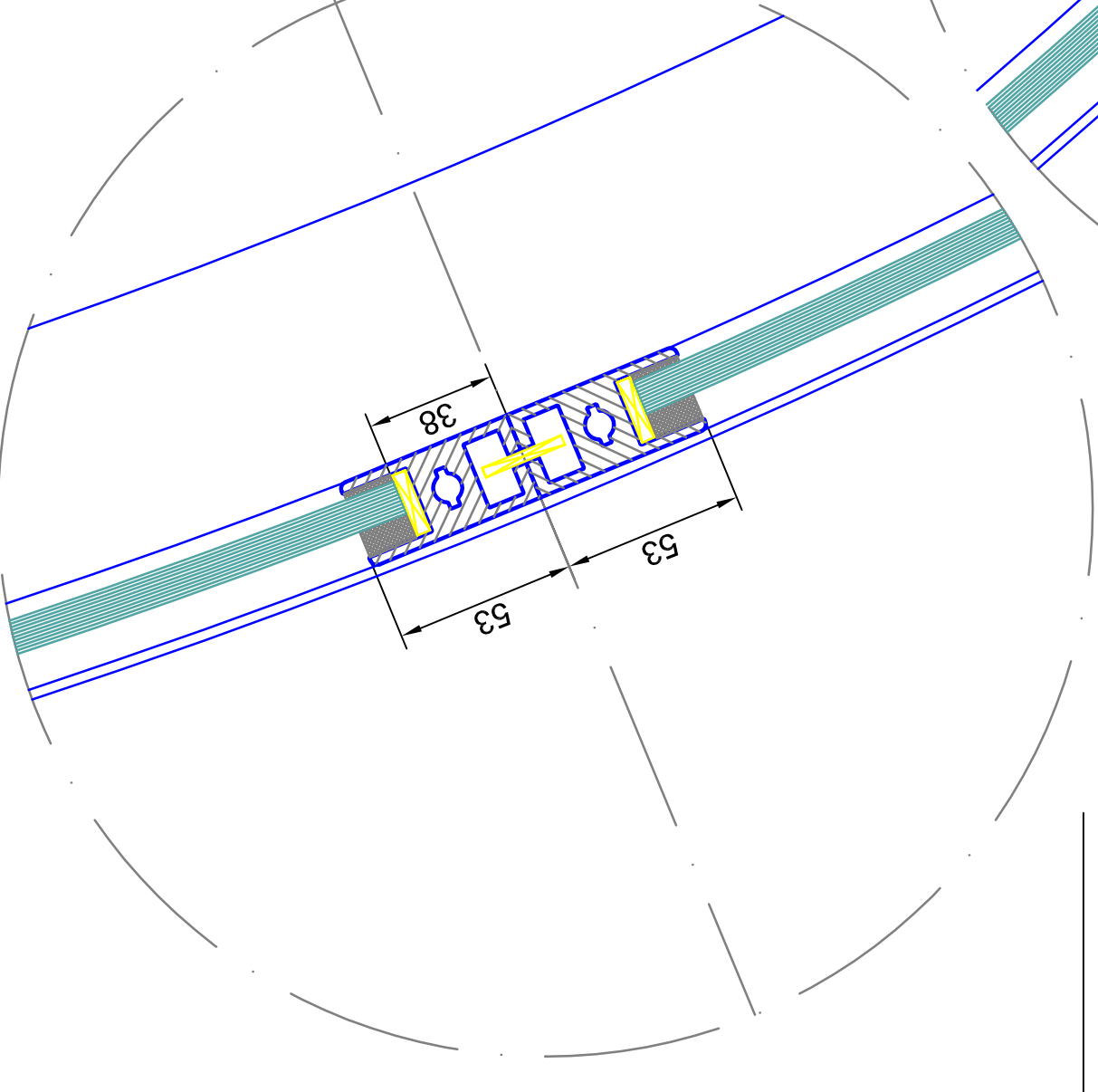
detail M



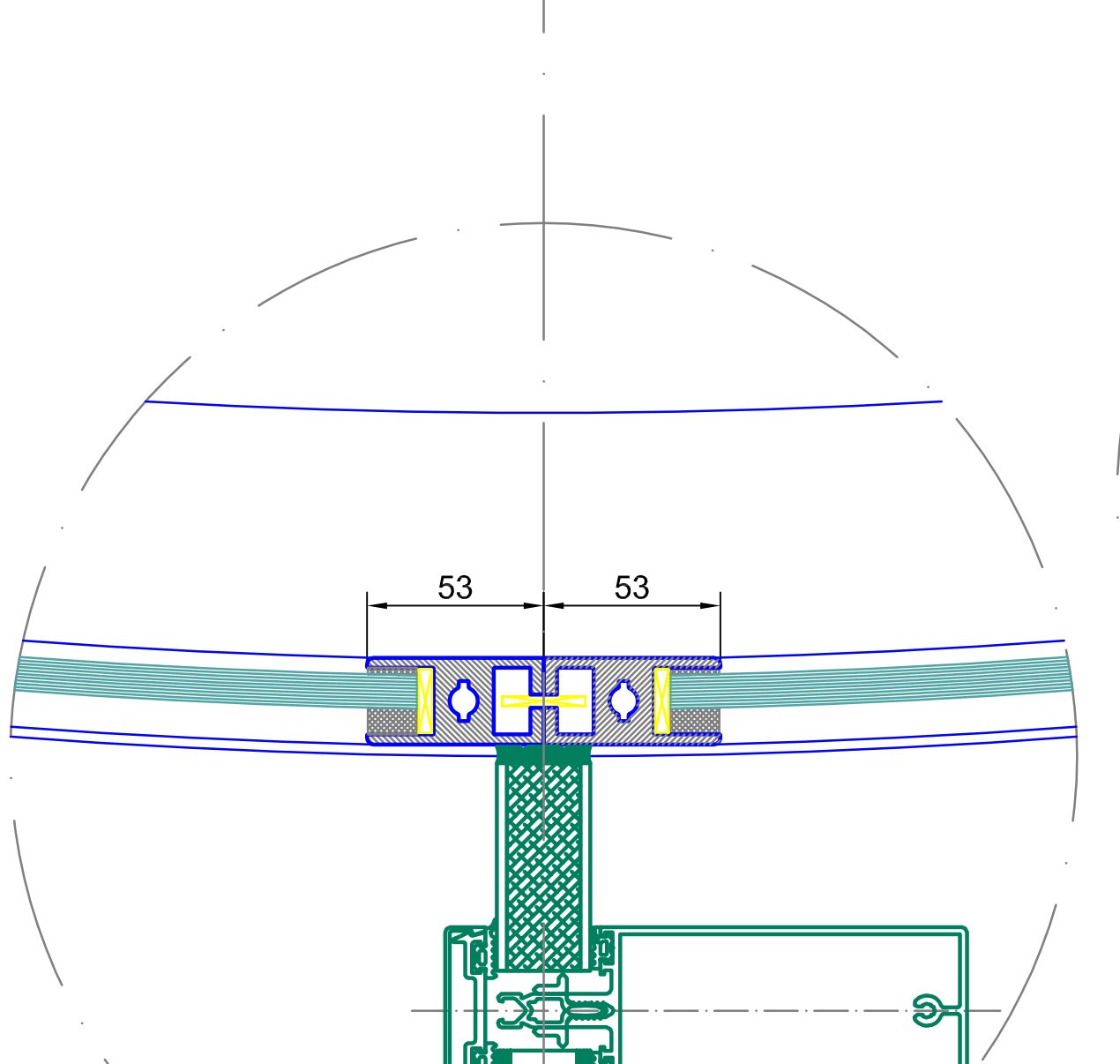
detail F



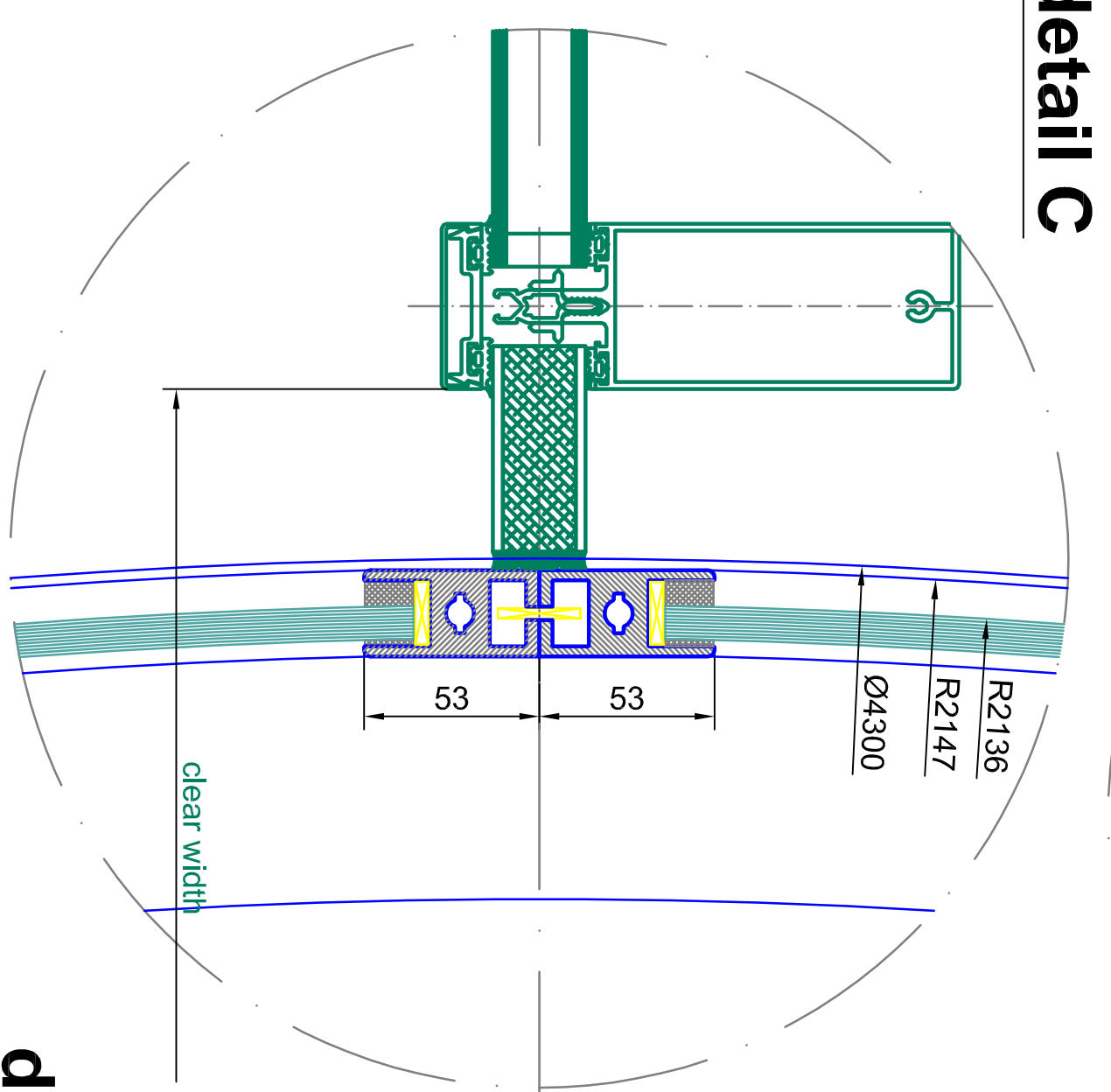
detail G



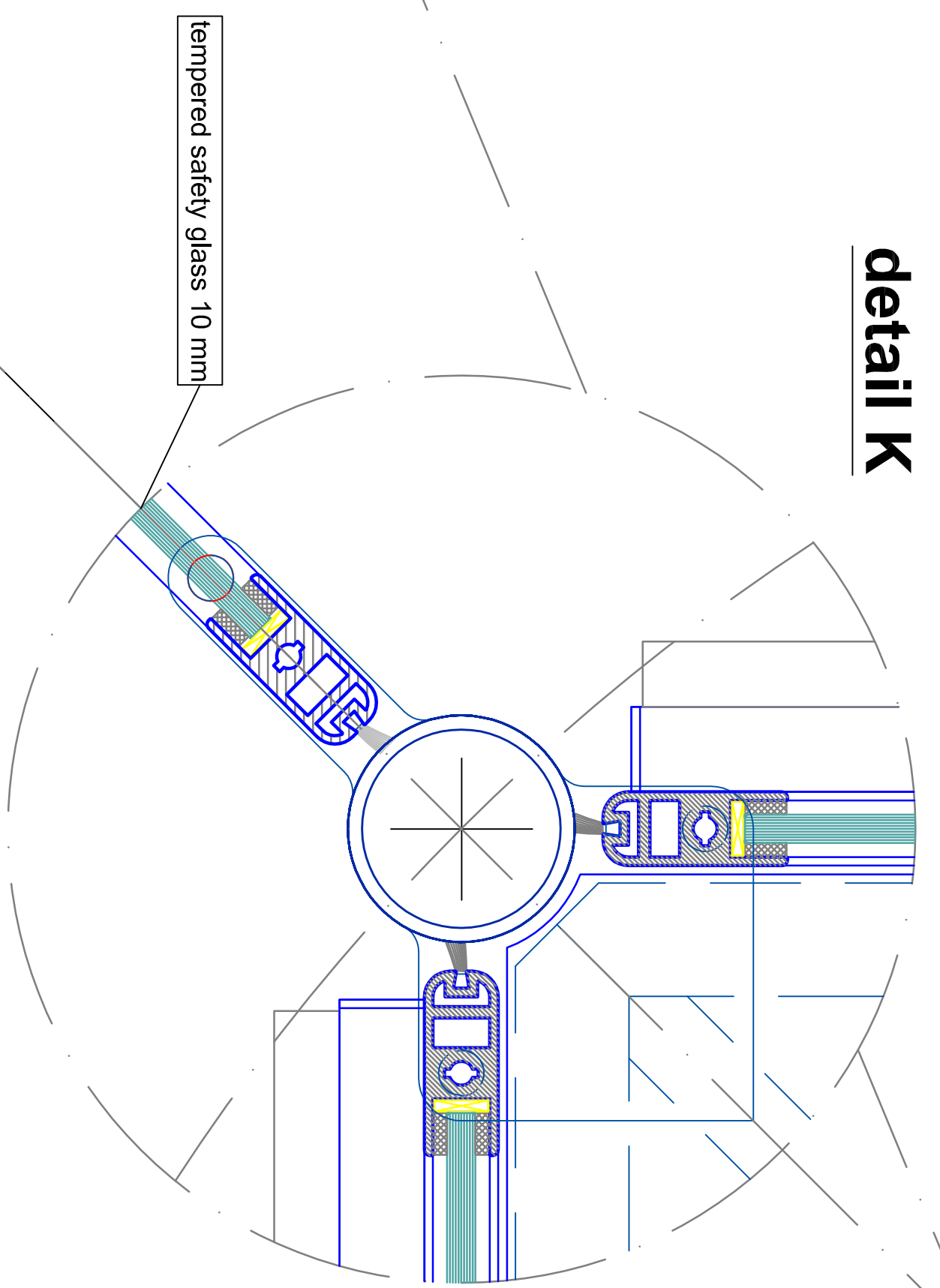
detail H



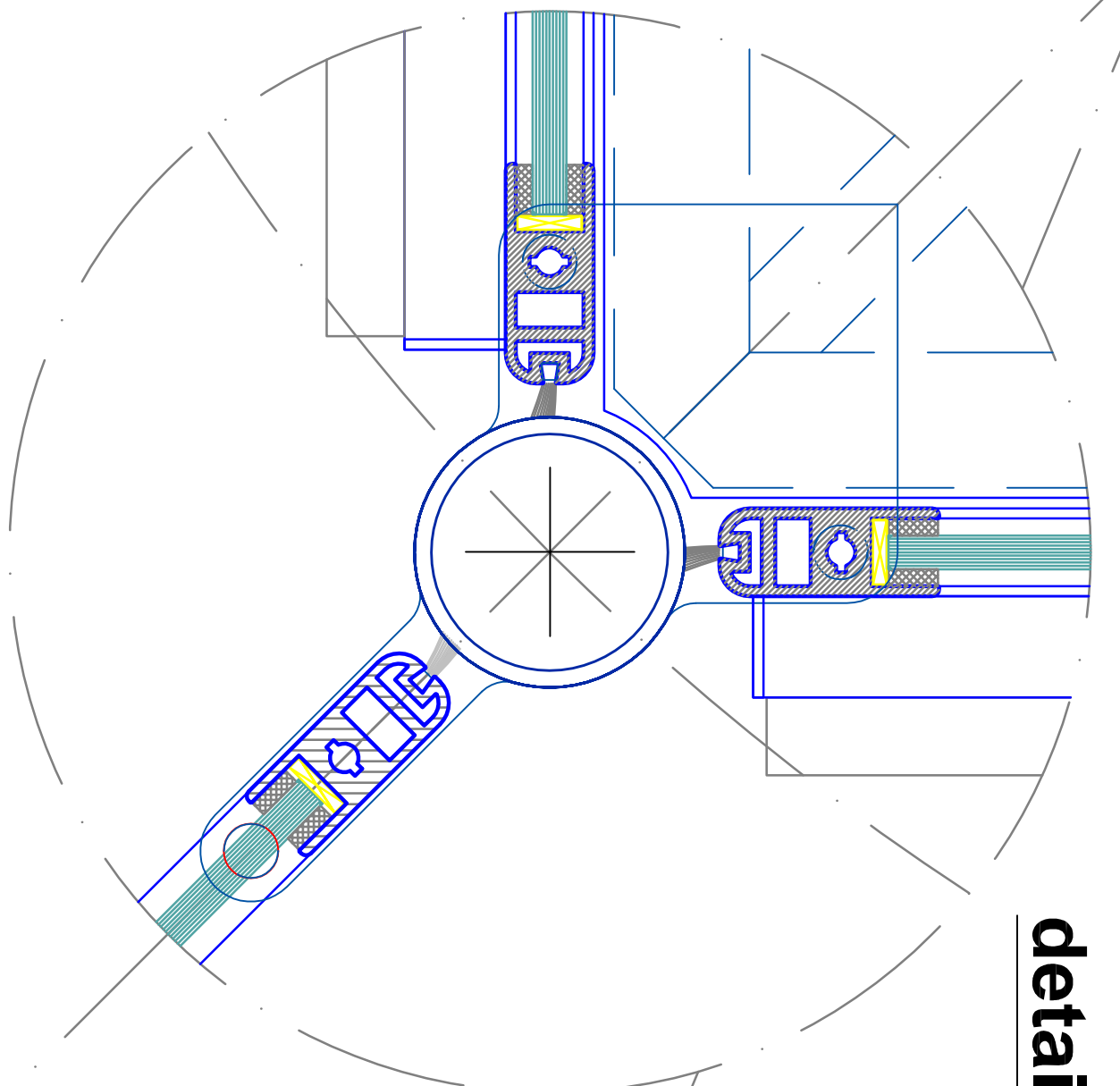
detail C



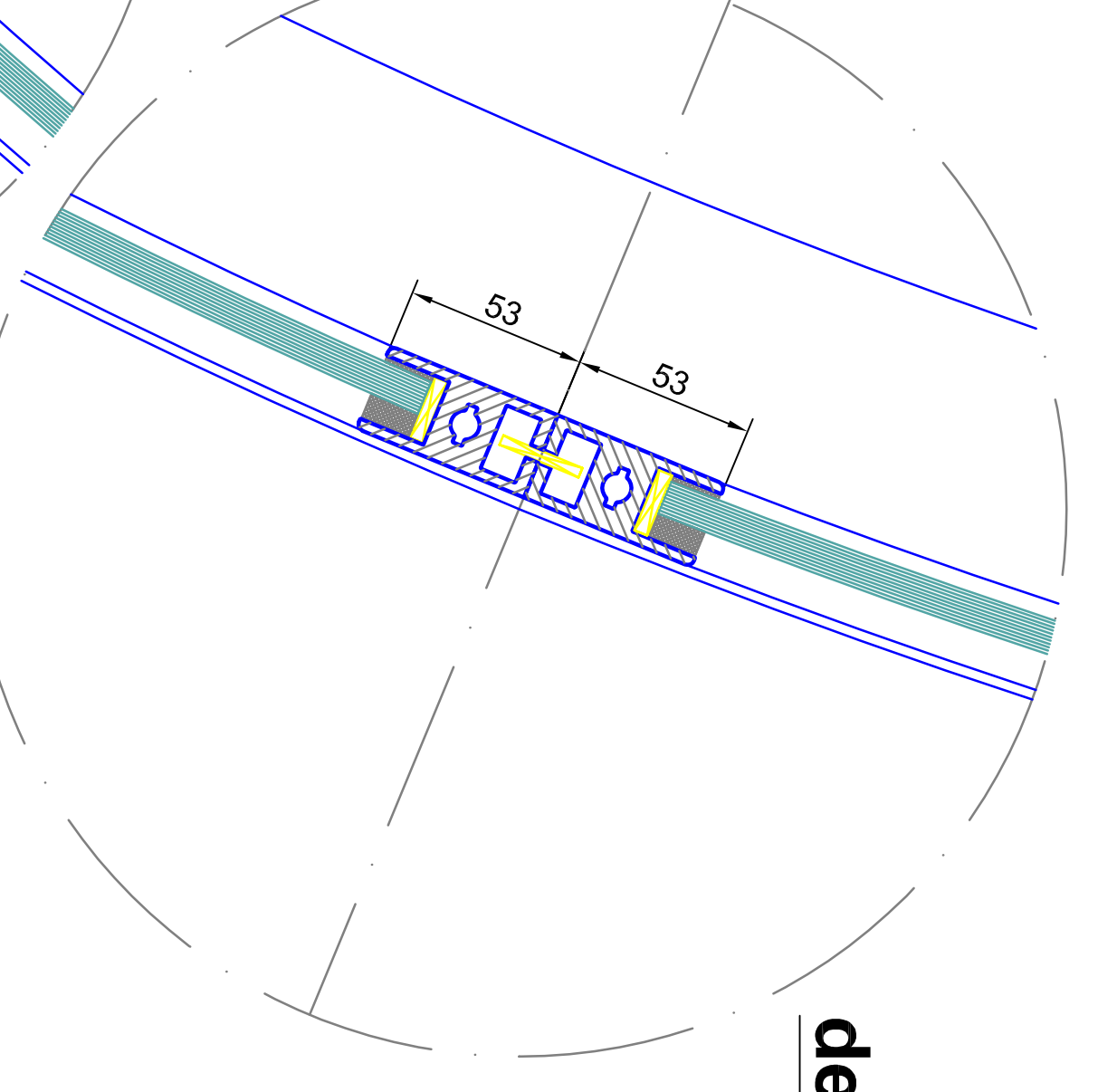
detail K



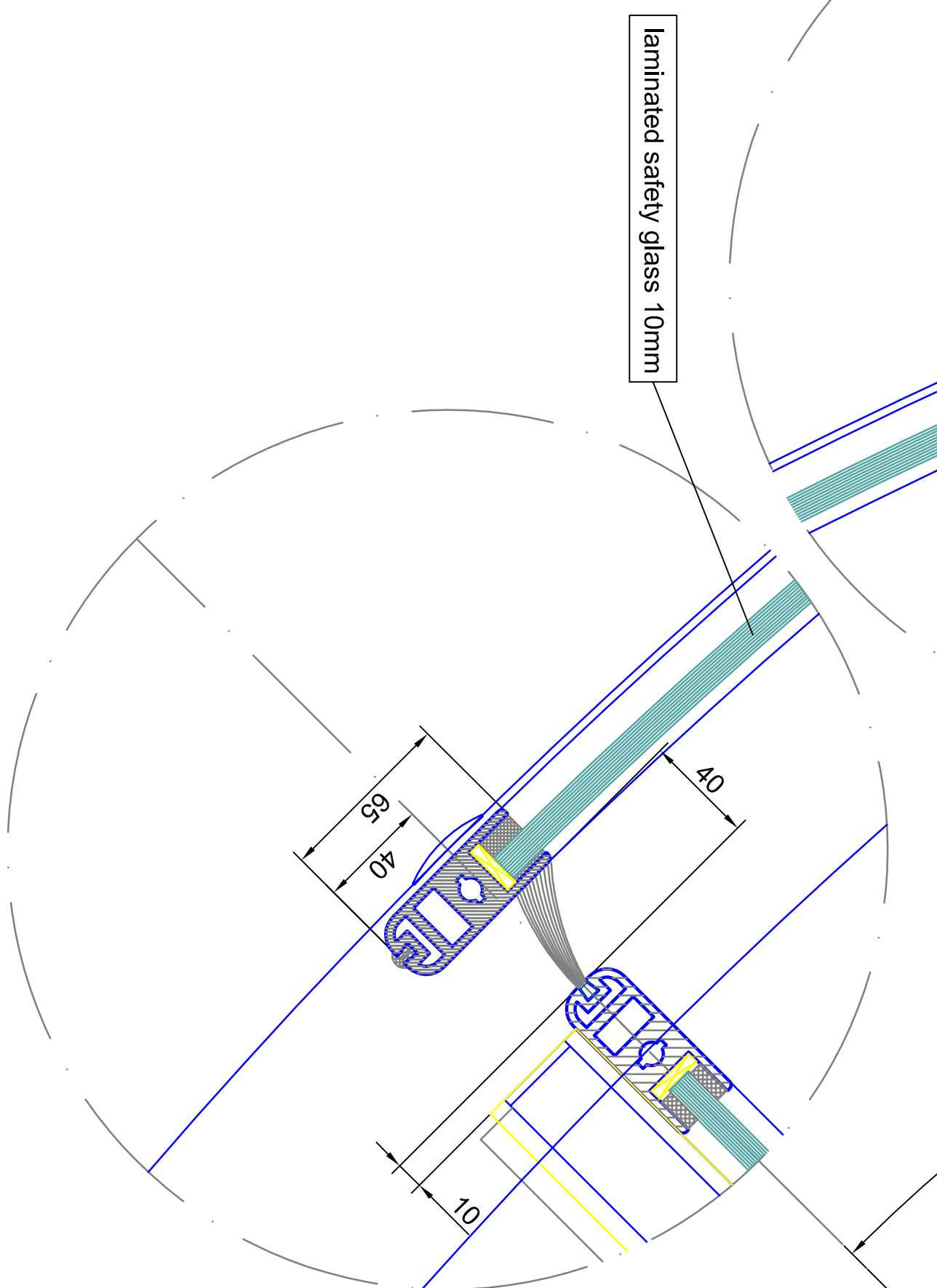
detail N



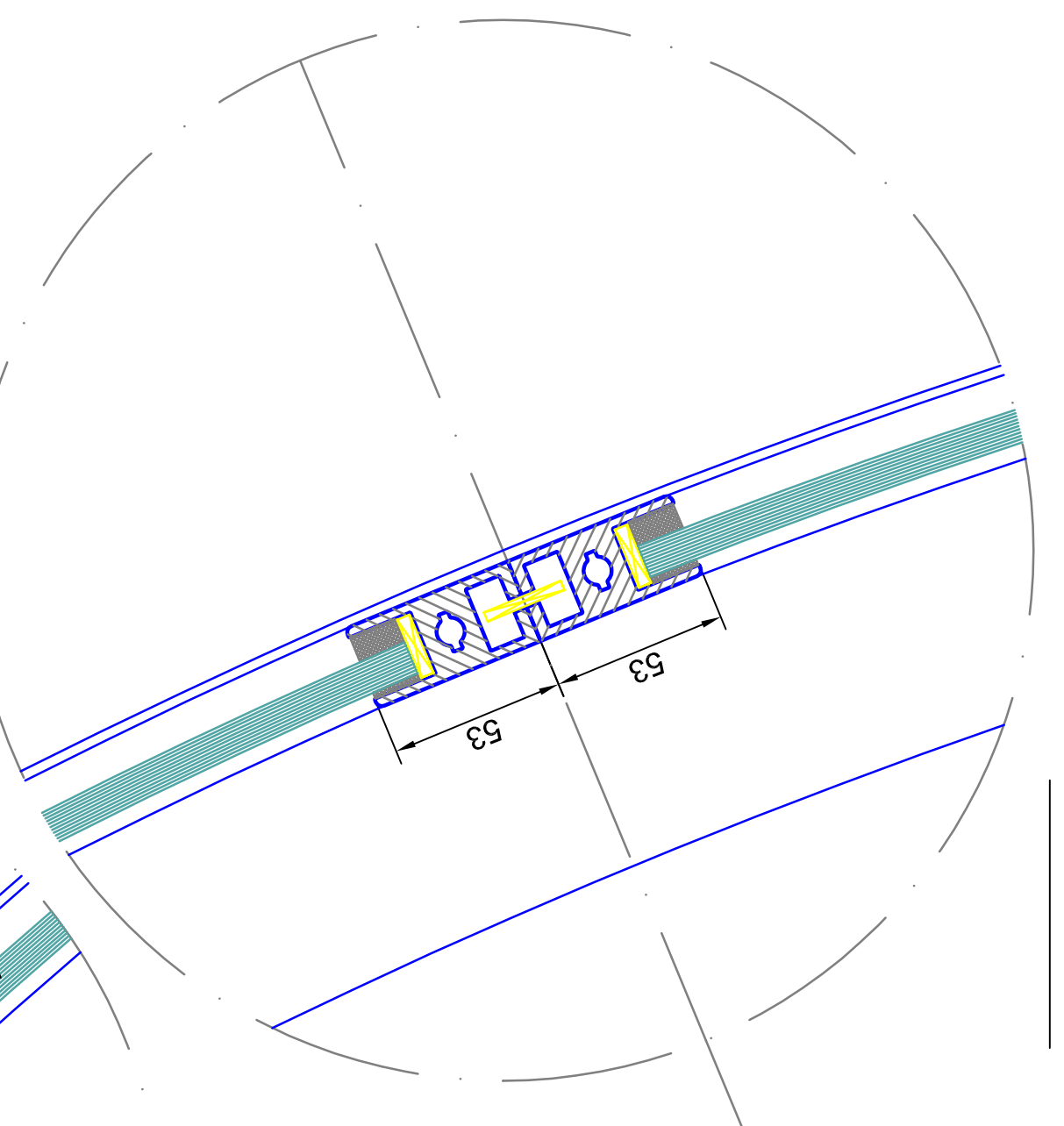
detail I



detail A



detail B



outside

bar lock locked from inside profile-semicylinder 27mm locking into the canopy

bar lock locked from inside profile-semicylinder 27mm locking into the canopy

bar lock locked from inside profile-semicylinder 27mm locking into the canopy

Material	Alu. visible surface	10N 7001	Al. painted components must be executed in powder
Material	Tempered safety glass 10 mm	30x43	Laminated safety glass 10 mm

BLASI

B.L.A.S.I. S.p.A. - Italy
 Autostar - Via S. Maria 10
 37030 - Tel. +39 0475 400121
 37030 - Fax +39 0475 400122
 37030 - E-mail: info@blasio.it
 37030 - Web: www.blasi.it

R41-VM43 Break Out
 SAMPLE DRAWING ONLY

Scale: 1:10
 Date: 04/2024