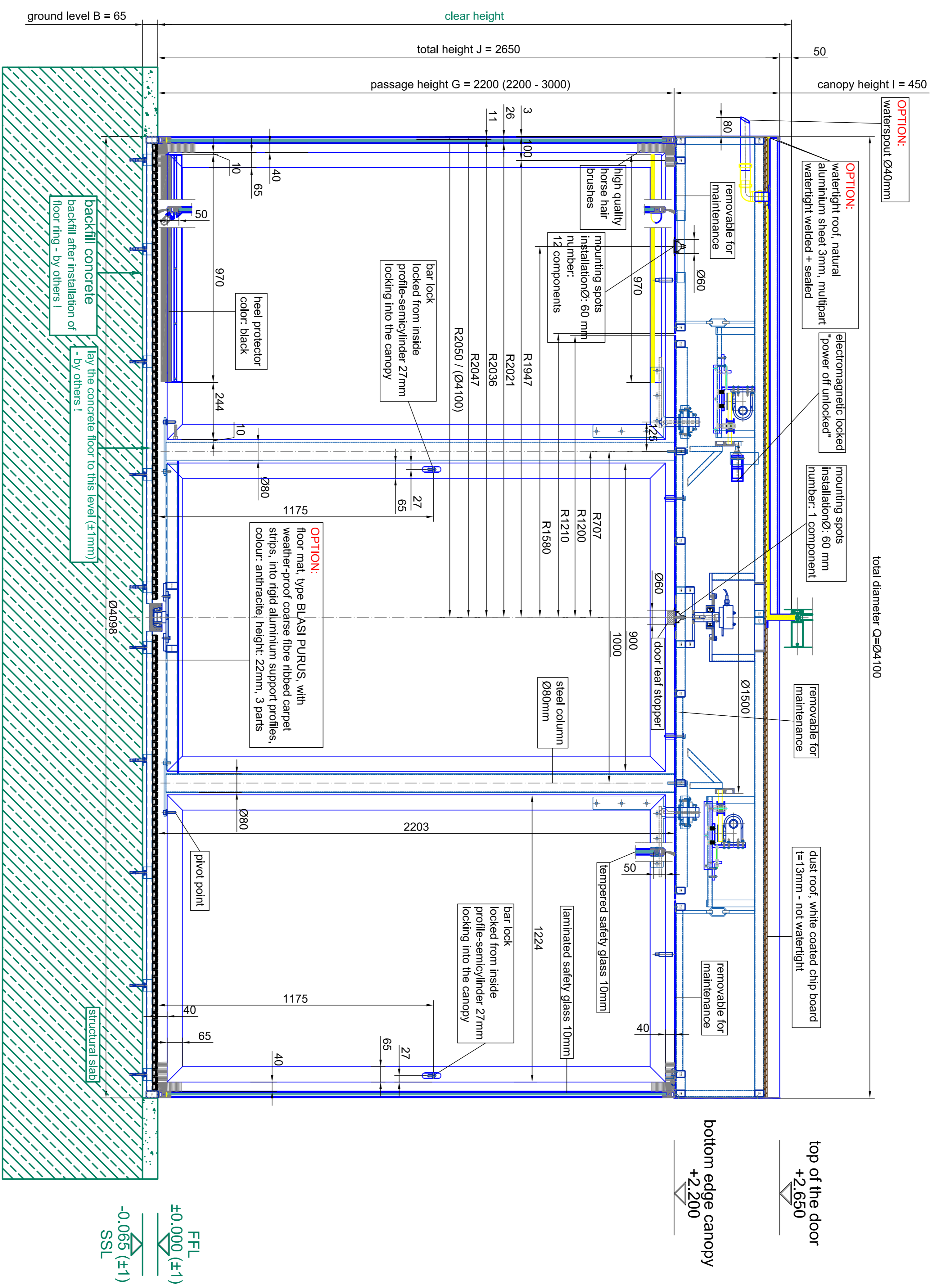


outside

vertical section

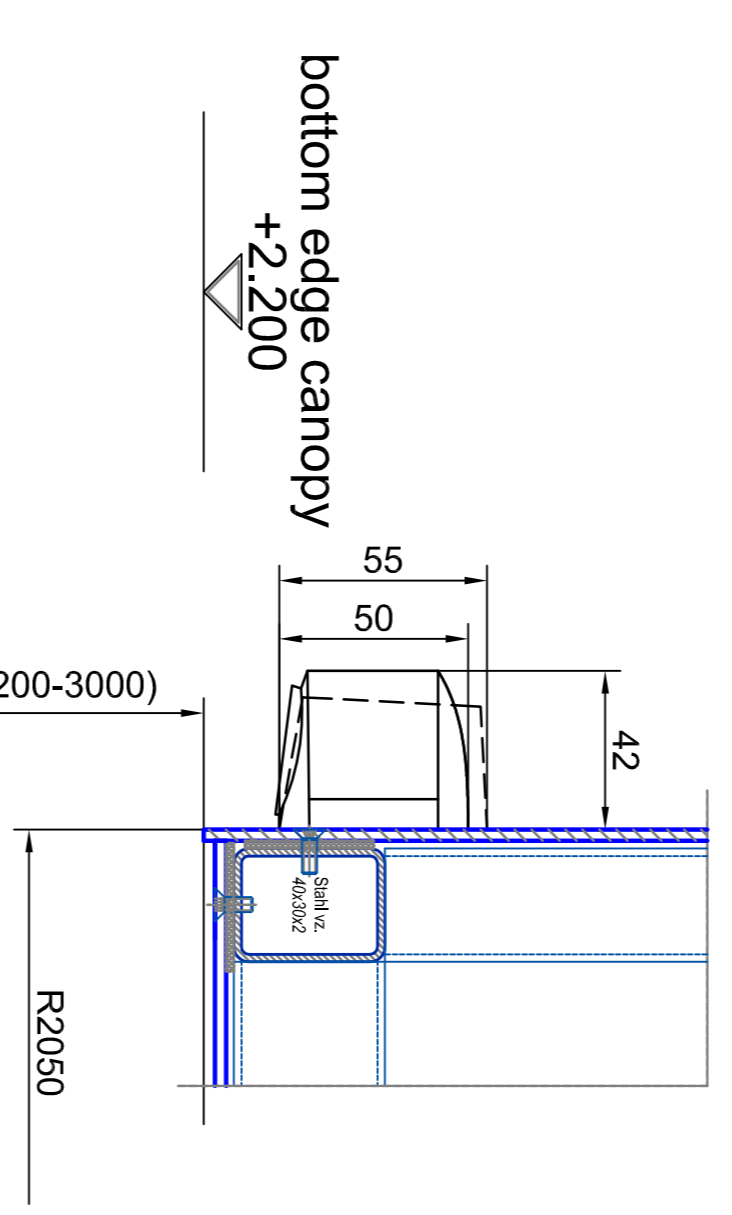
inside



top of the door
+2.650

bottom edge canopy
+2.200

vertical section -
passage area
A0 - M 1:2



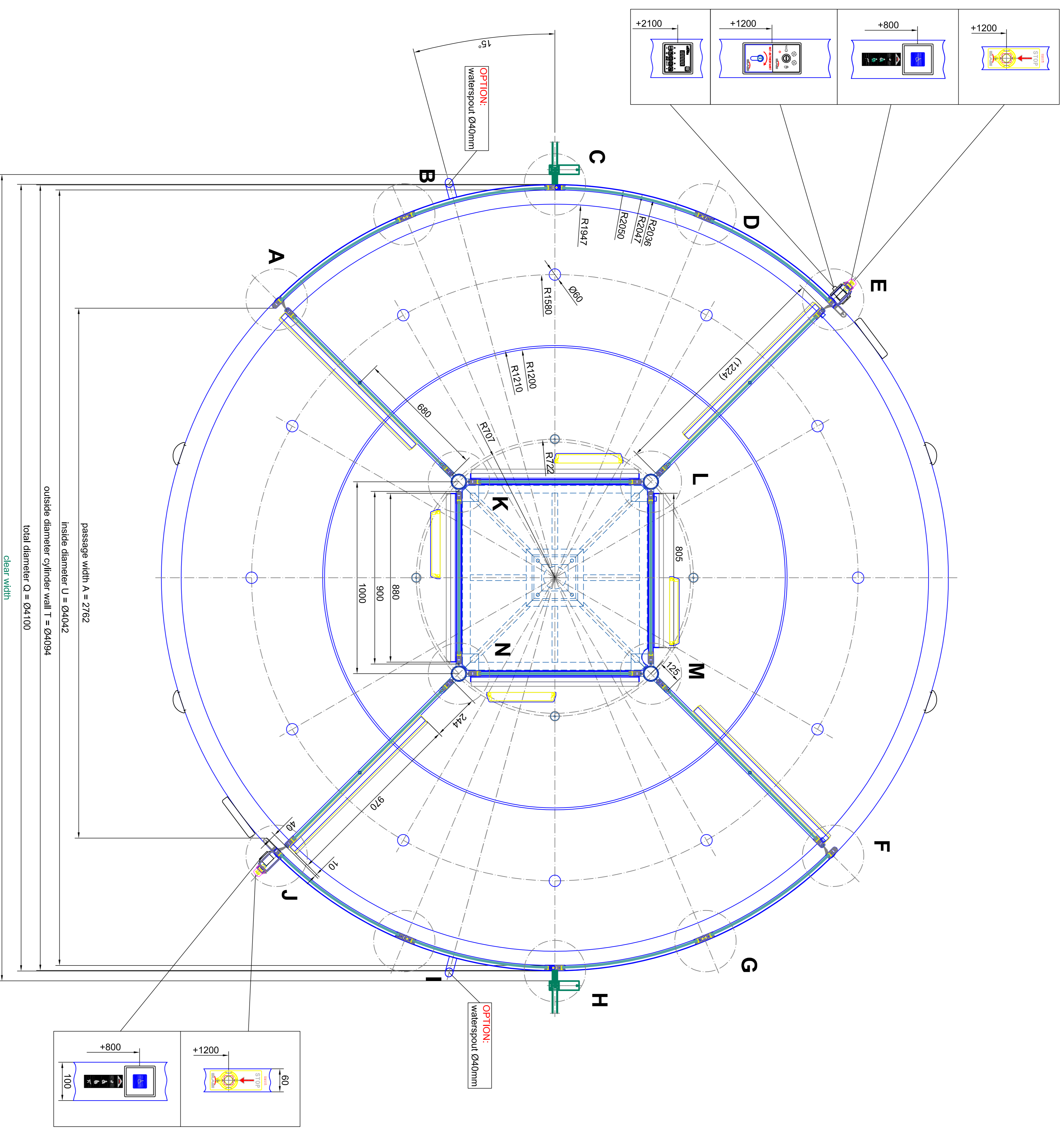
Material	tempered safety glass 10 mm	30x45	(EN 1062)	tempered safety glass 10 mm
Material	tempered safety glass 10 mm	30x45	(EN 1062)	tempered safety glass 10 mm

BLASI
B.I.A.S.I. G. & A. S. R. L.
Autostar Drive
Caldes de St. Vicens
0 - 77772 Malibon

TEL: +4933 7 802 - 291
FAX: +49332 888 - 288
E-mail: info@blasi.de
www.blasi.info

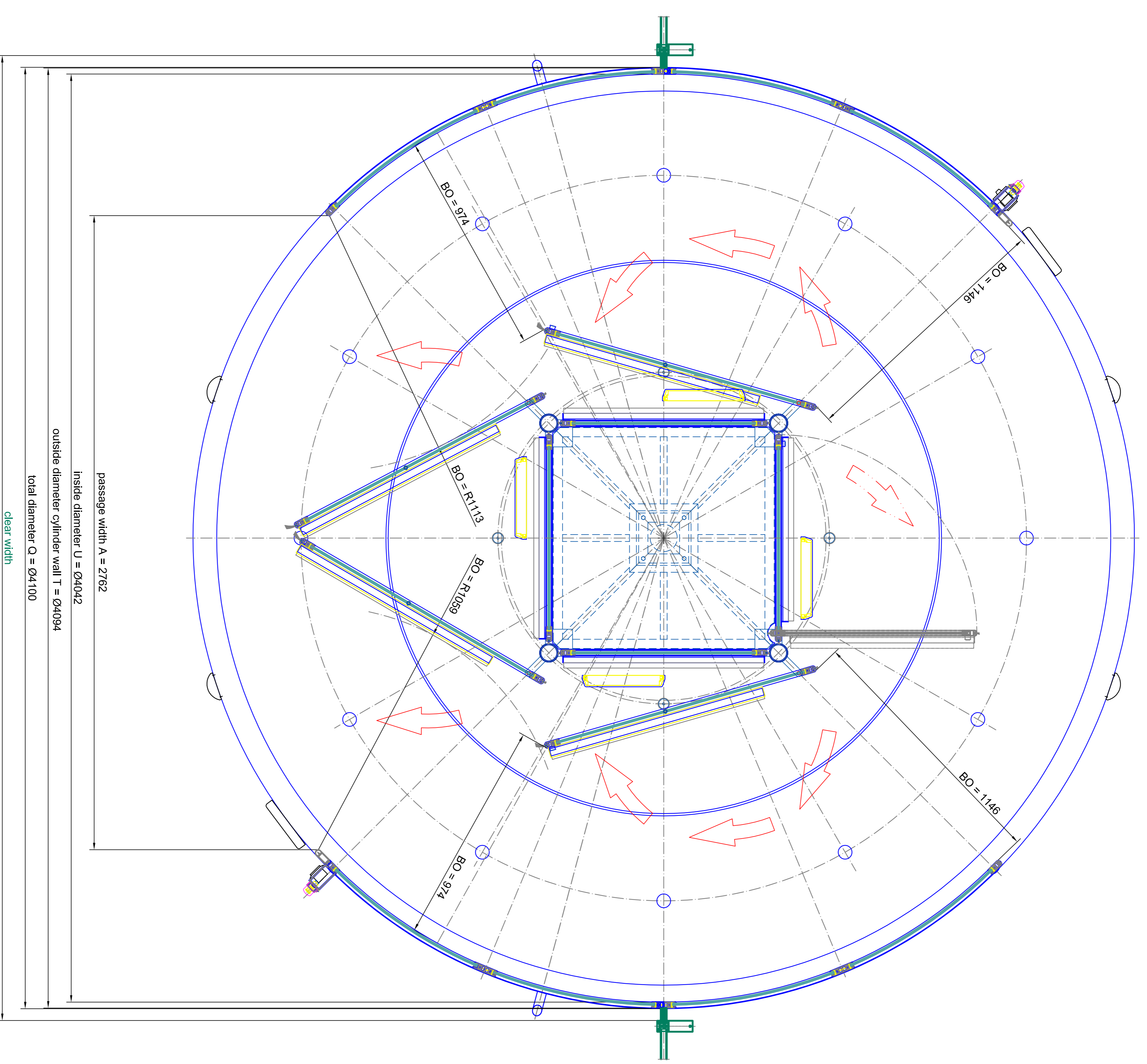
Project: **K41-VM41 Break Out**
SAMPLE DRAWING ONLY

Scale: 1:10
Date: 04



inside

outside



horizontal section - door in standard position

horizontal section - door in break out position

Material	tempered safety glass 10 mm	30x43	100 (100%)	100 (100%)
Material	tempered safety glass 10 mm	30x43	100 (100%)	100 (100%)

BLASI

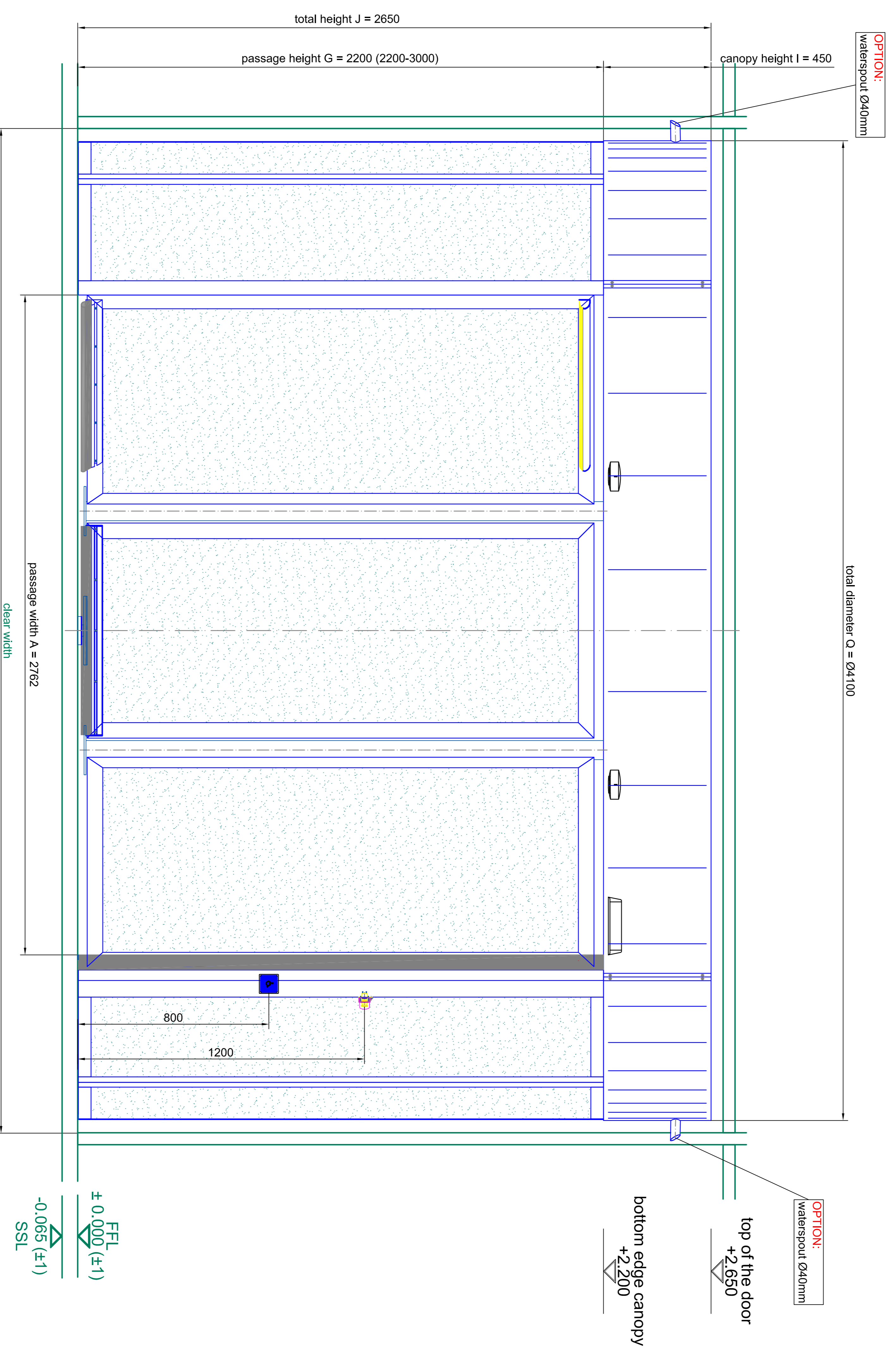
B.L.S. S.p.A. s.r.l.
 Autostar Drive
 Calaber - Strada 5-15
 0 - 77172 Malbogi

tel. +390972 / 801 - 291
 fax. +390972 / 801 - 290
 E-mail: info@blasio.it
 www.blasio.it info

Project: **K41-VM41 Break Out**
 Content: **SAMPLE DRAWING ONLY**

Scale: 02
 Date: 04

front elevation - outside



Material	tempered safety glass 10 mm	Standard	tempered
Material	tempered safety glass 10 mm	Standard	tempered

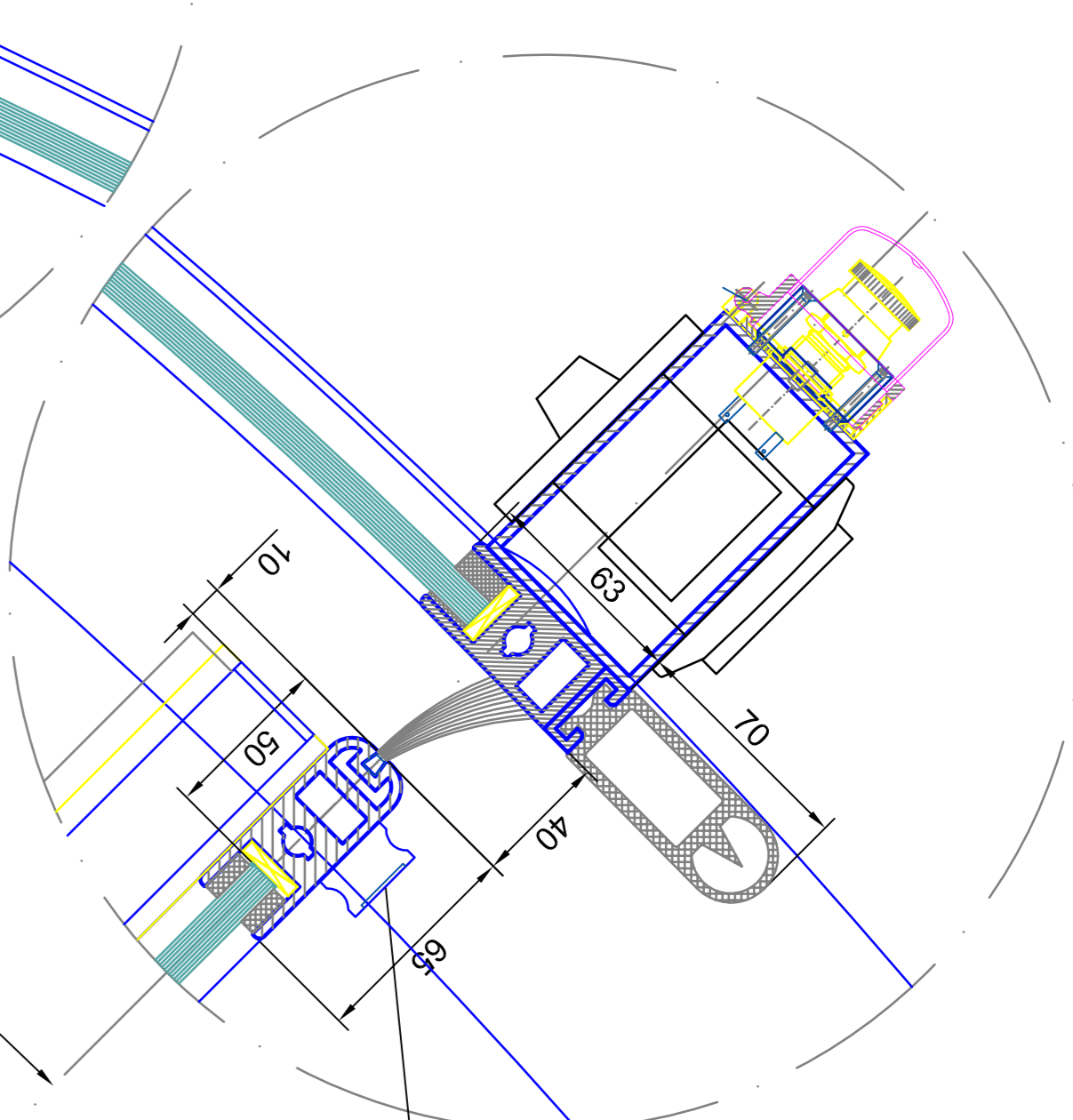
BLASI
 B.L.A.S.I. G. & A. S. r.l.
 Aut. Min. Sic. n. 100/2001
 Cert. Inter. Sic. n. 5/15
 D. 77372 Maltoni

Tel. +390322 / 880 - 288
 Fax +390322 / 880 - 288
 E-mail: info@blasi.it
 www.blasi.it

Project: **K41-VM41 Break Out**
 Title: **SAMPLE DRAWING ONLY**

Scale: 1:10
 Date: 03/04/2024
 Sheet: 03
 From: 04

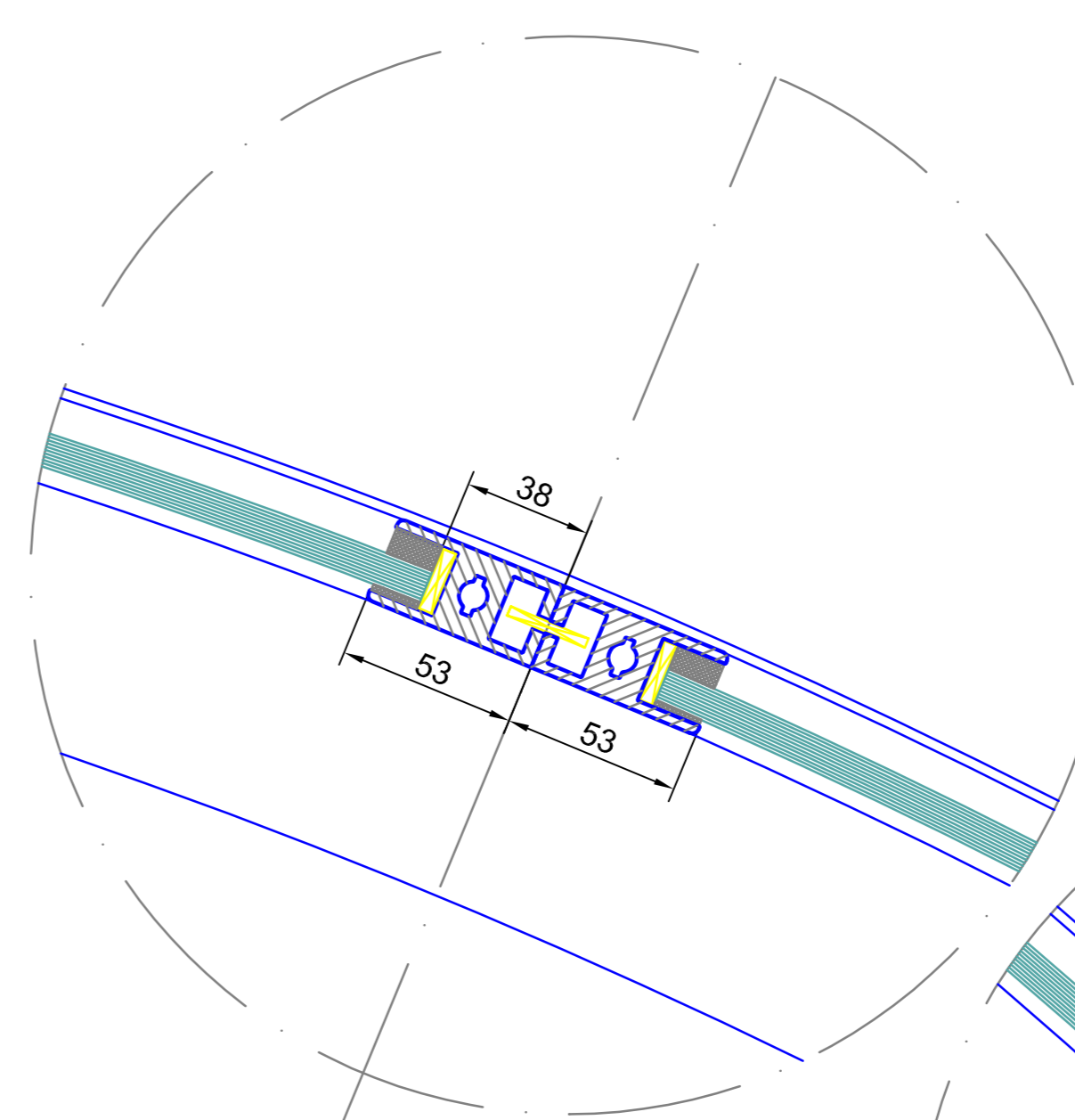
detail E



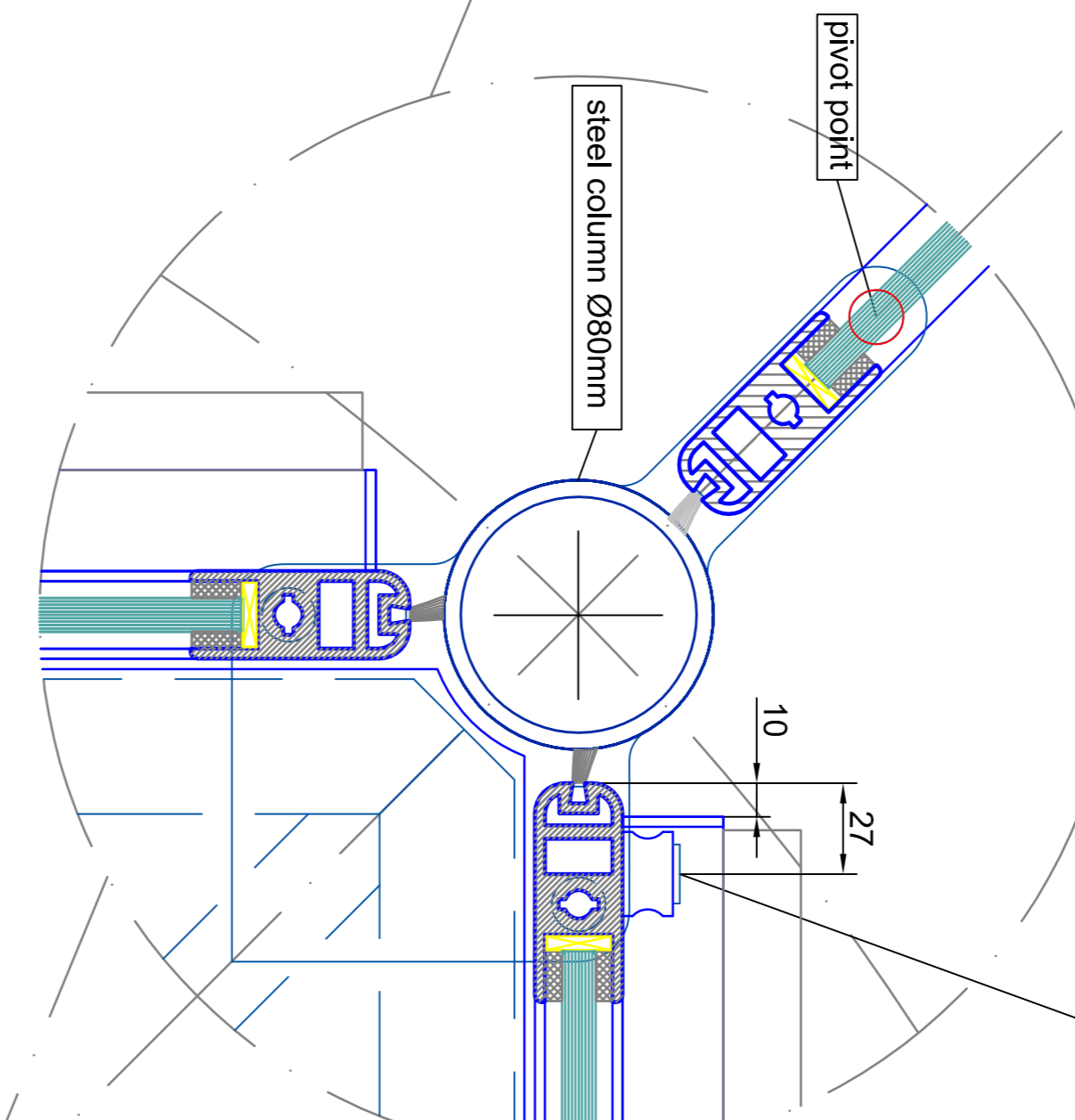
inside

bar lock locked from inside profile-semicylinder 27mm locking into the canopy

detail D

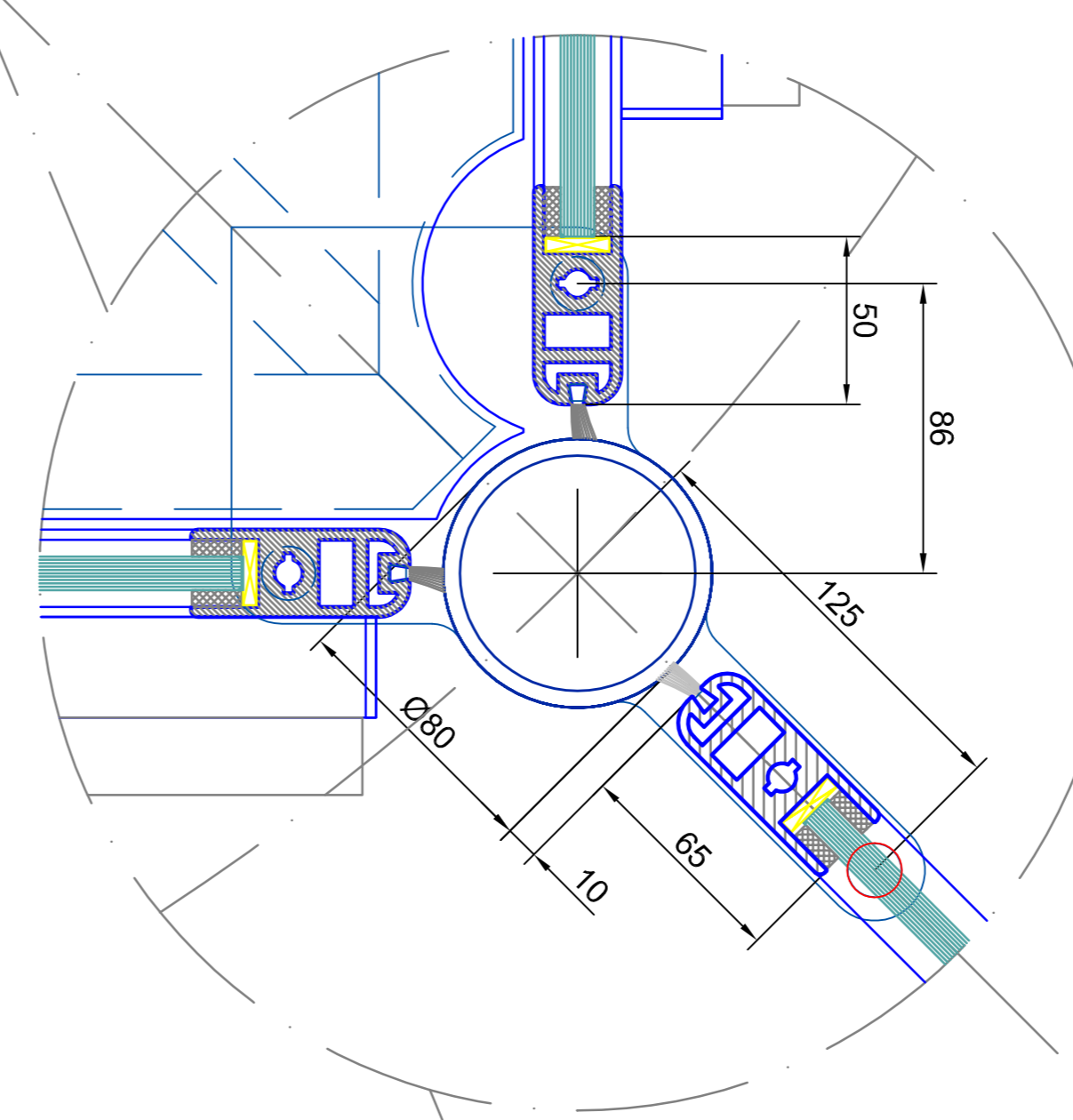


detail L



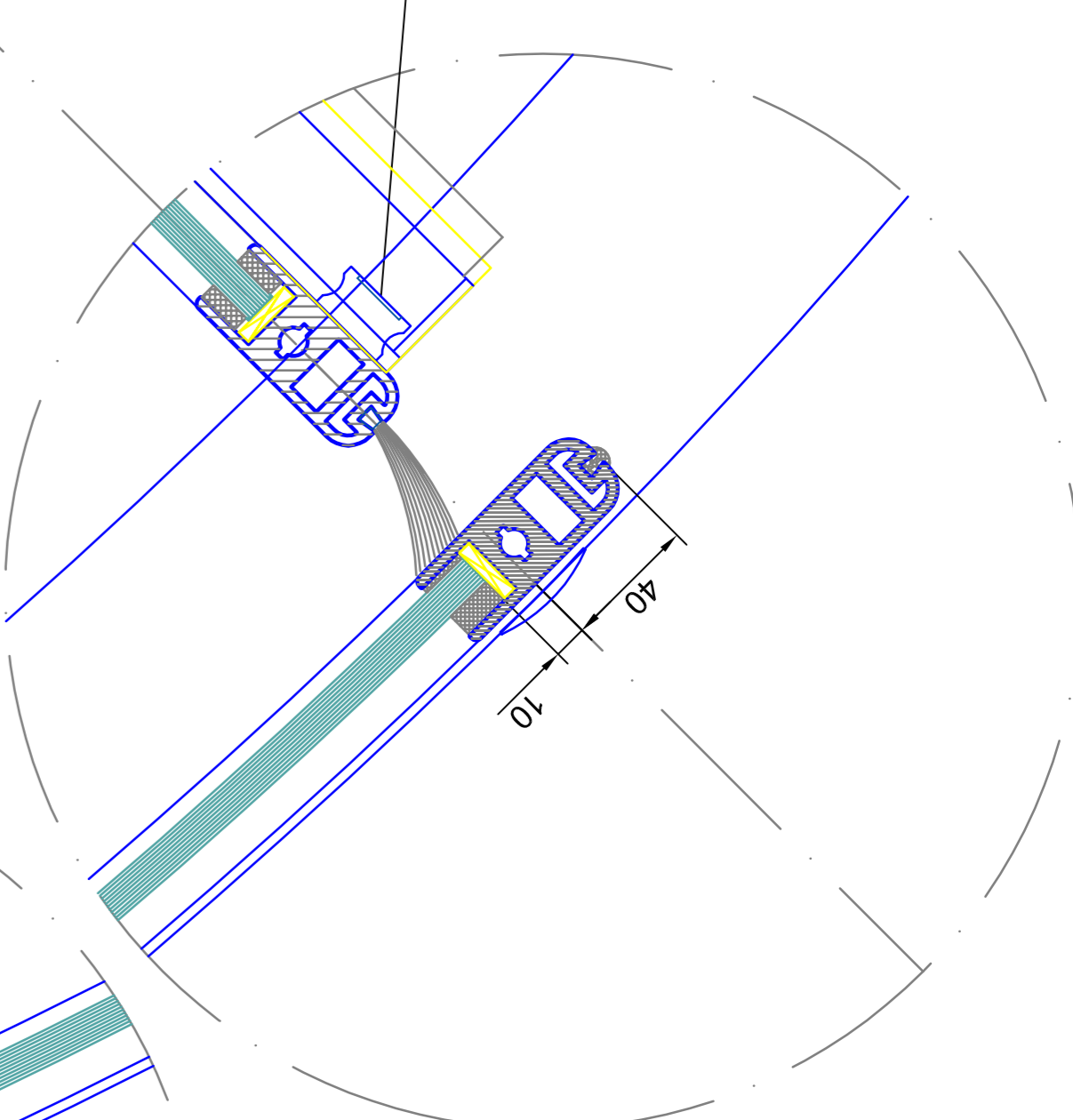
bar lock locked from inside profile-semicylinder 27mm locking into the canopy

detail M

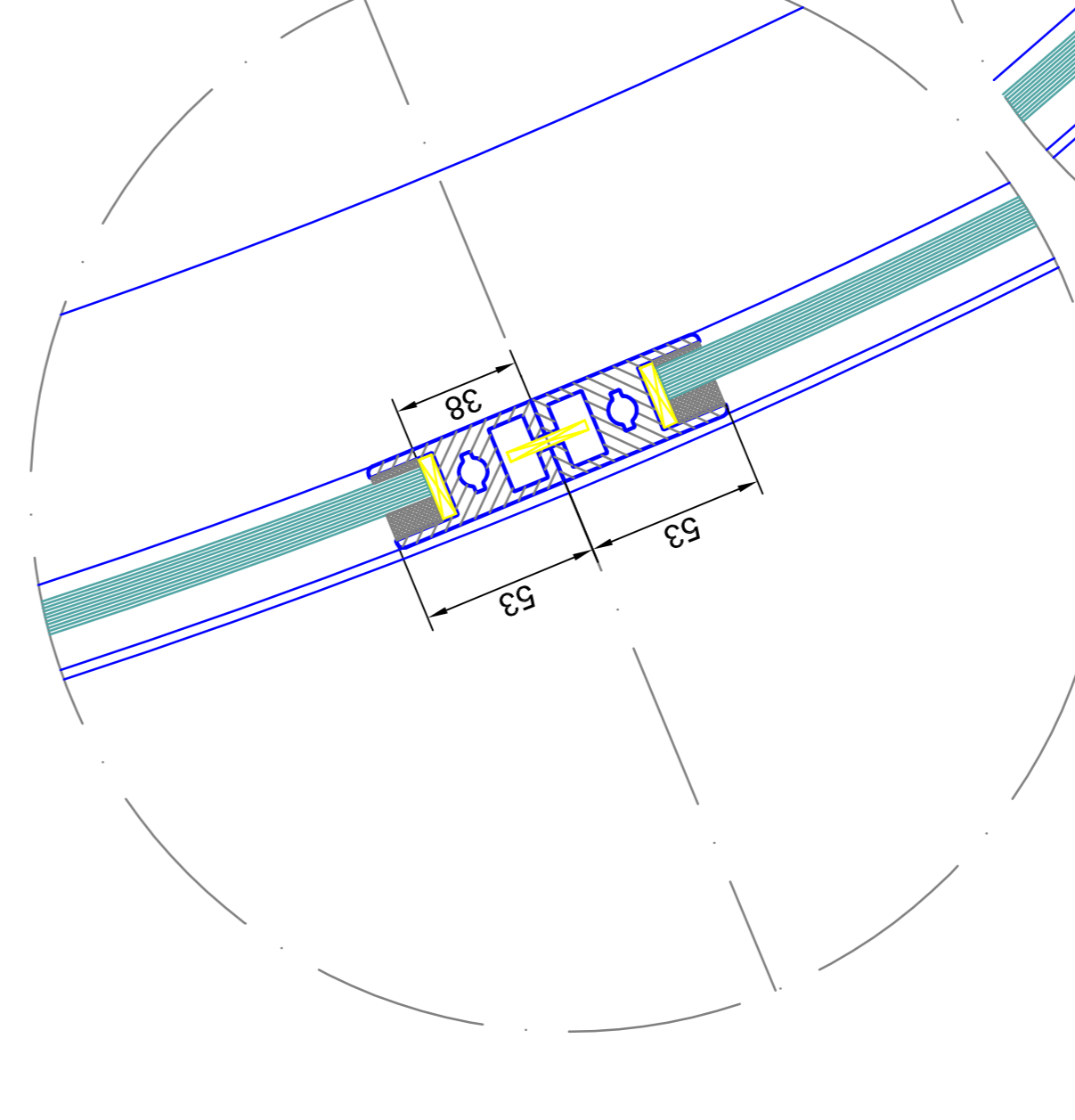


bar lock locked from inside profile-semicylinder 27mm locking into the canopy

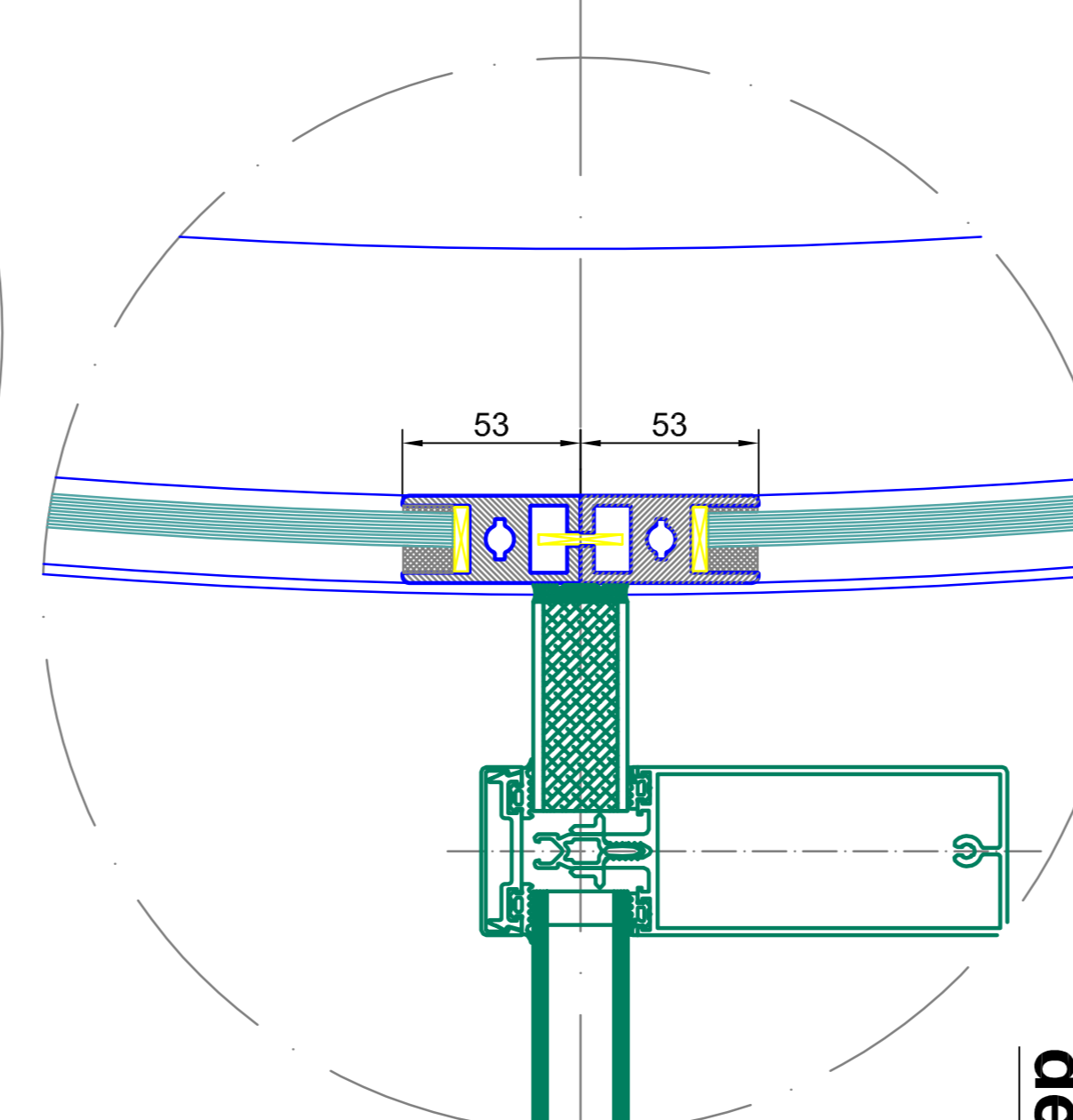
detail F



detail G



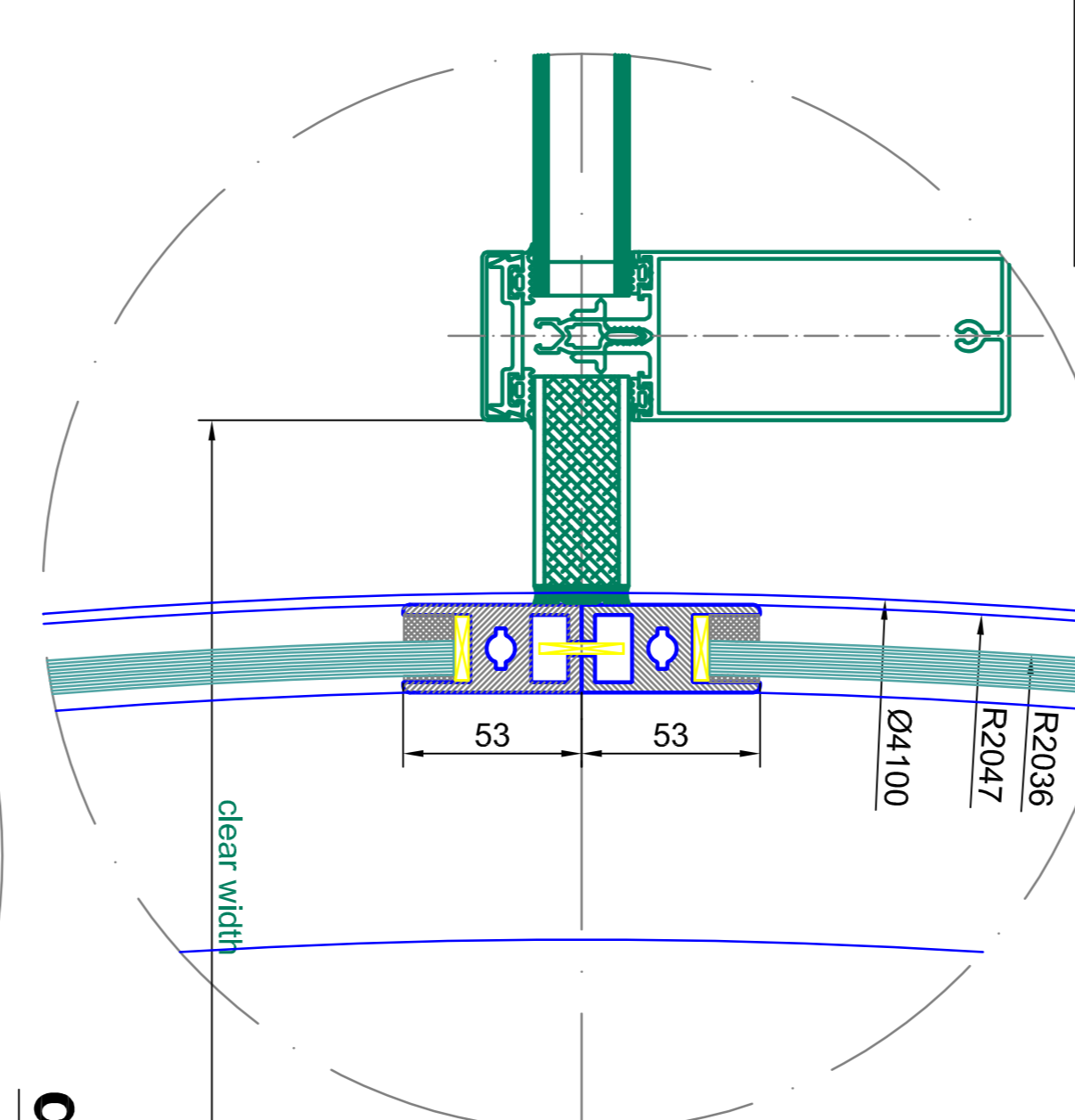
detail H



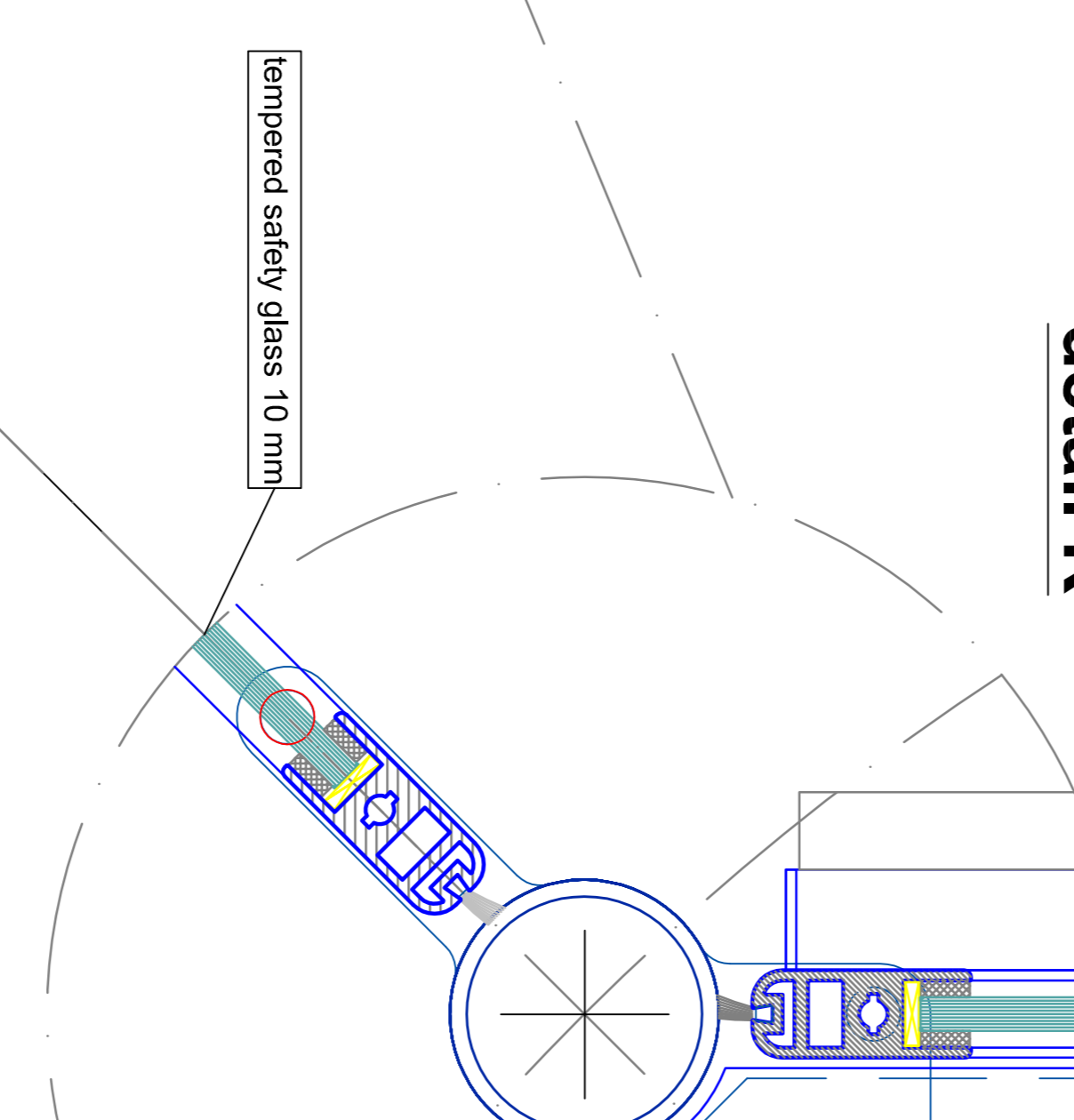
detail E

detail F

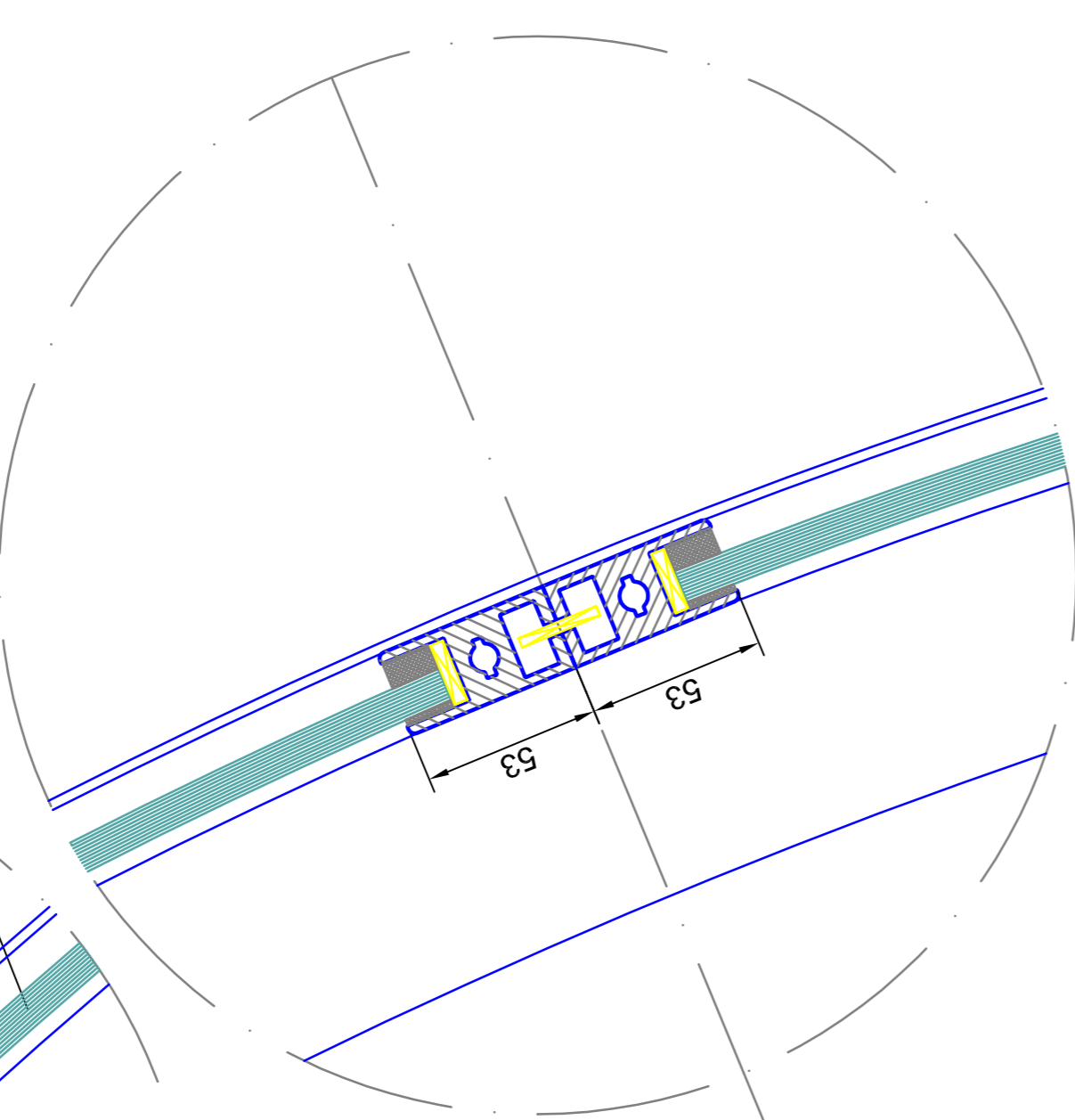
detail C



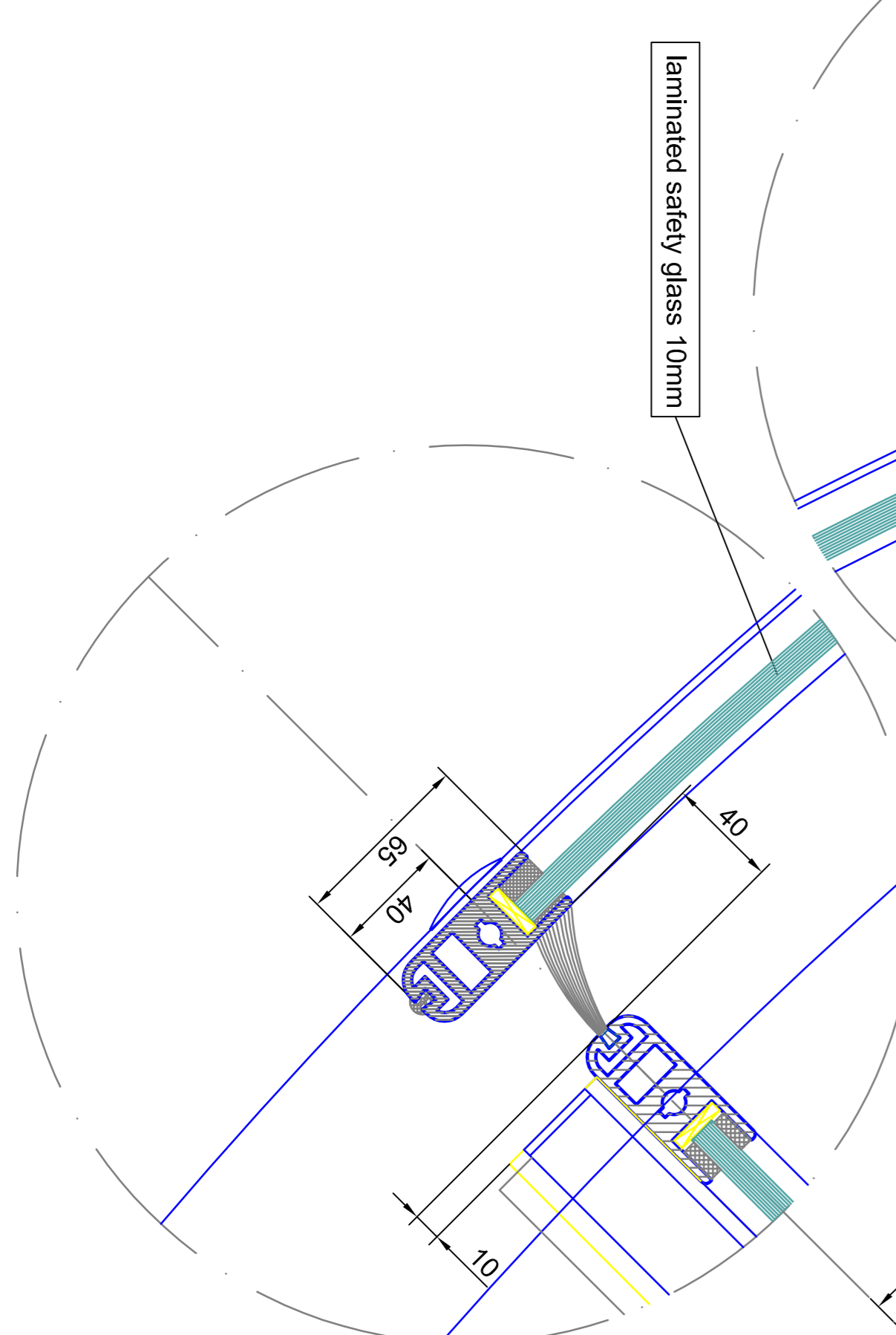
detail K



detail B

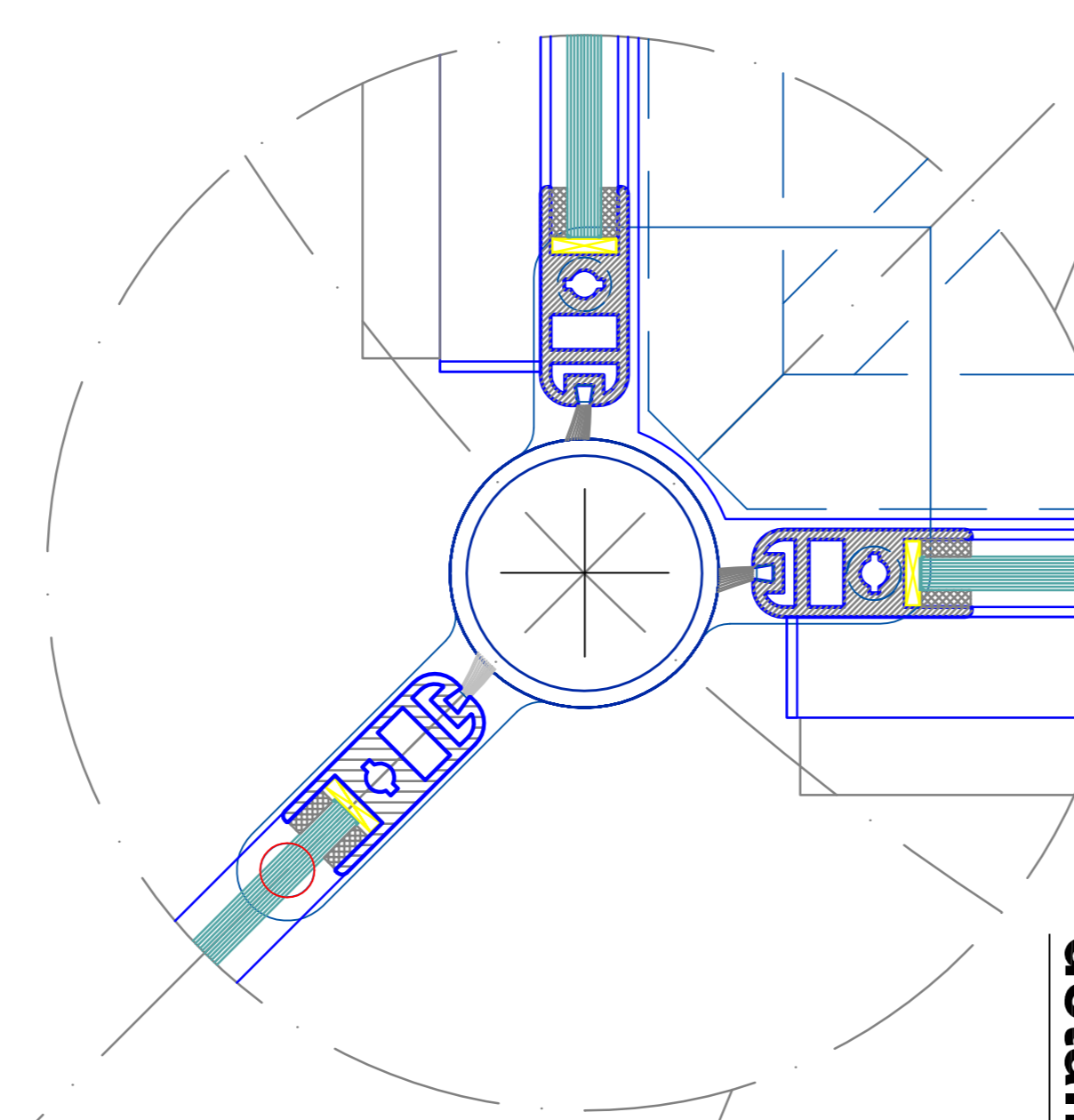


detail A

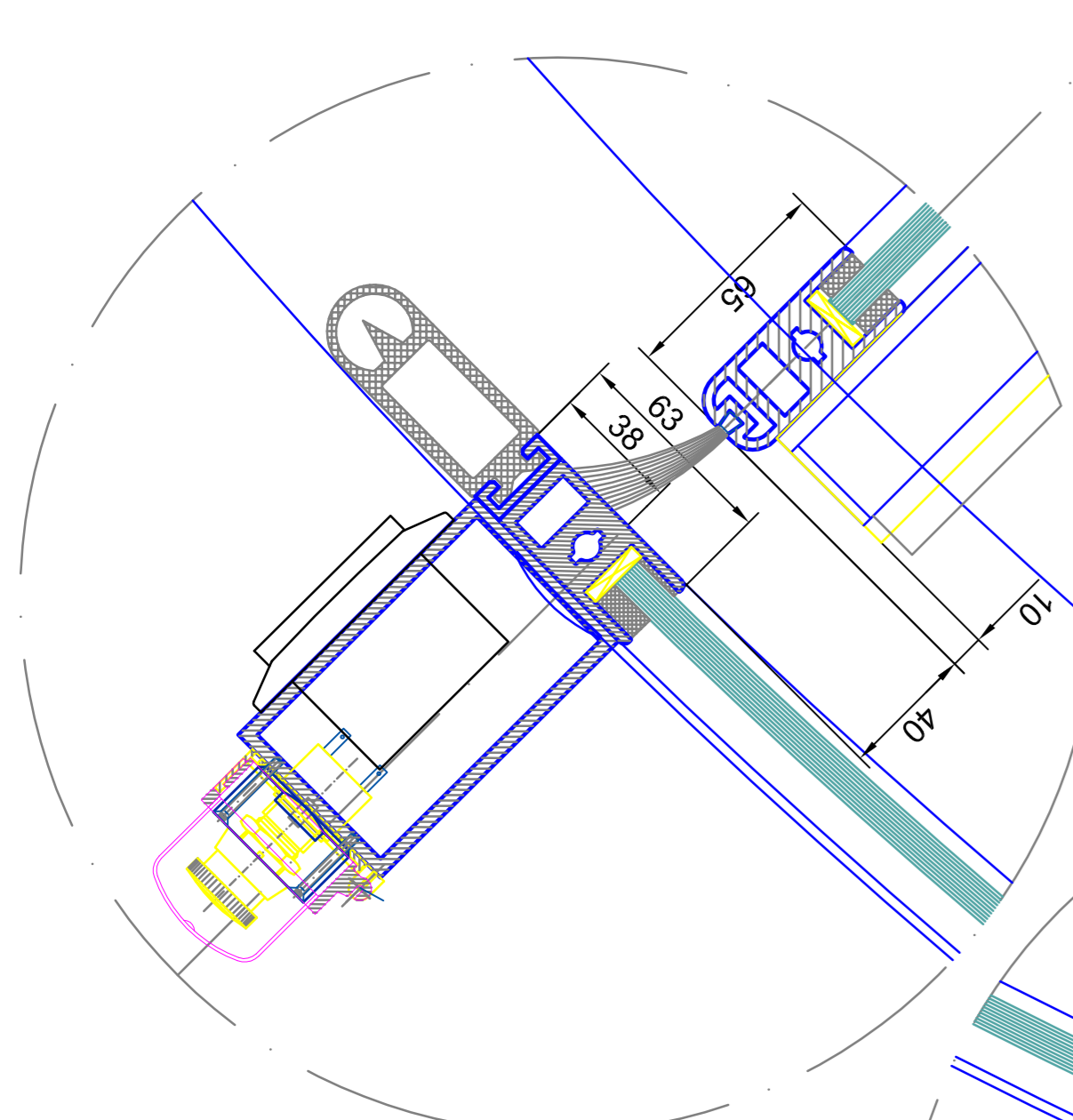


outside

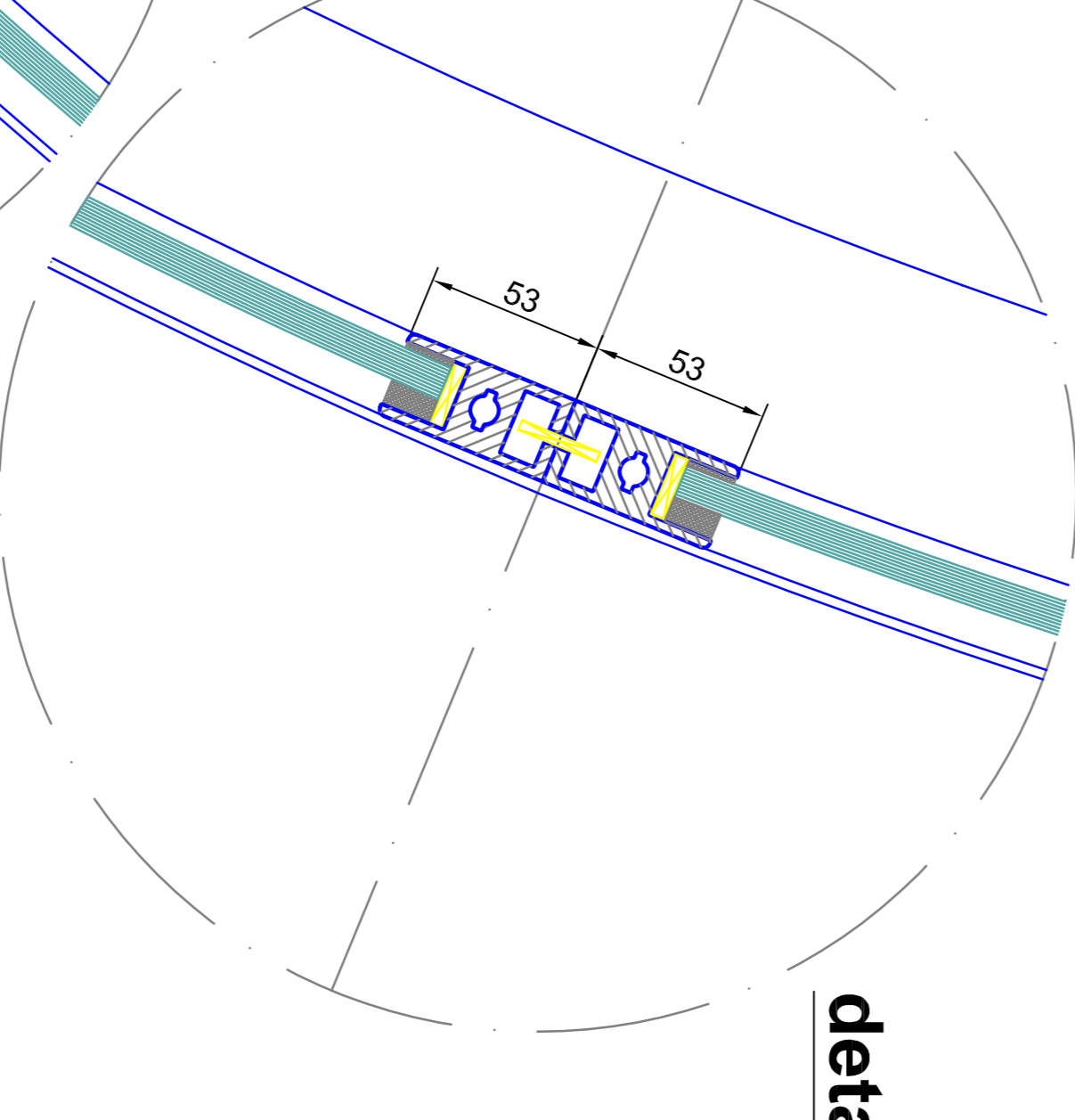
detail N



detail J



detail I



Material	Specification	Notes
Tempered safety glass	10 mm	10 mm
Laminated safety glass	10 mm	10 mm

BLASI
 B.L.A.S.I. G. & A. S.p.A.
 Autostar, P.O. Box 299
 Autostar, P.O. Box 299
 Autostar, P.O. Box 299
 Autostar, P.O. Box 299
 Autostar, P.O. Box 299

BLASI
 B.L.A.S.I. G. & A. S.p.A.
 Autostar, P.O. Box 299
 Autostar, P.O. Box 299
 Autostar, P.O. Box 299
 Autostar, P.O. Box 299
 Autostar, P.O. Box 299

BLASI
 B.L.A.S.I. G. & A. S.p.A.
 Autostar, P.O. Box 299
 Autostar, P.O. Box 299
 Autostar, P.O. Box 299
 Autostar, P.O. Box 299
 Autostar, P.O. Box 299