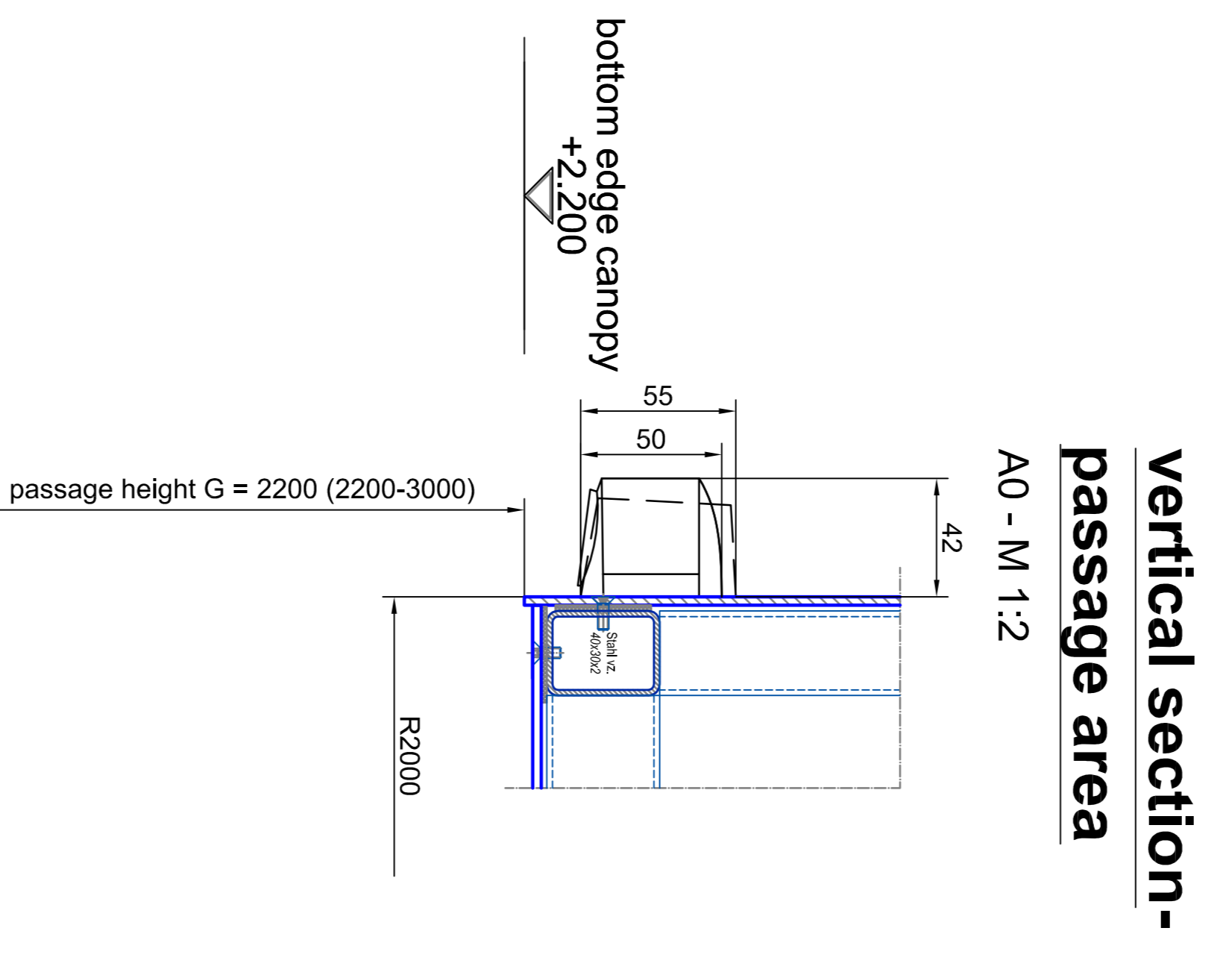
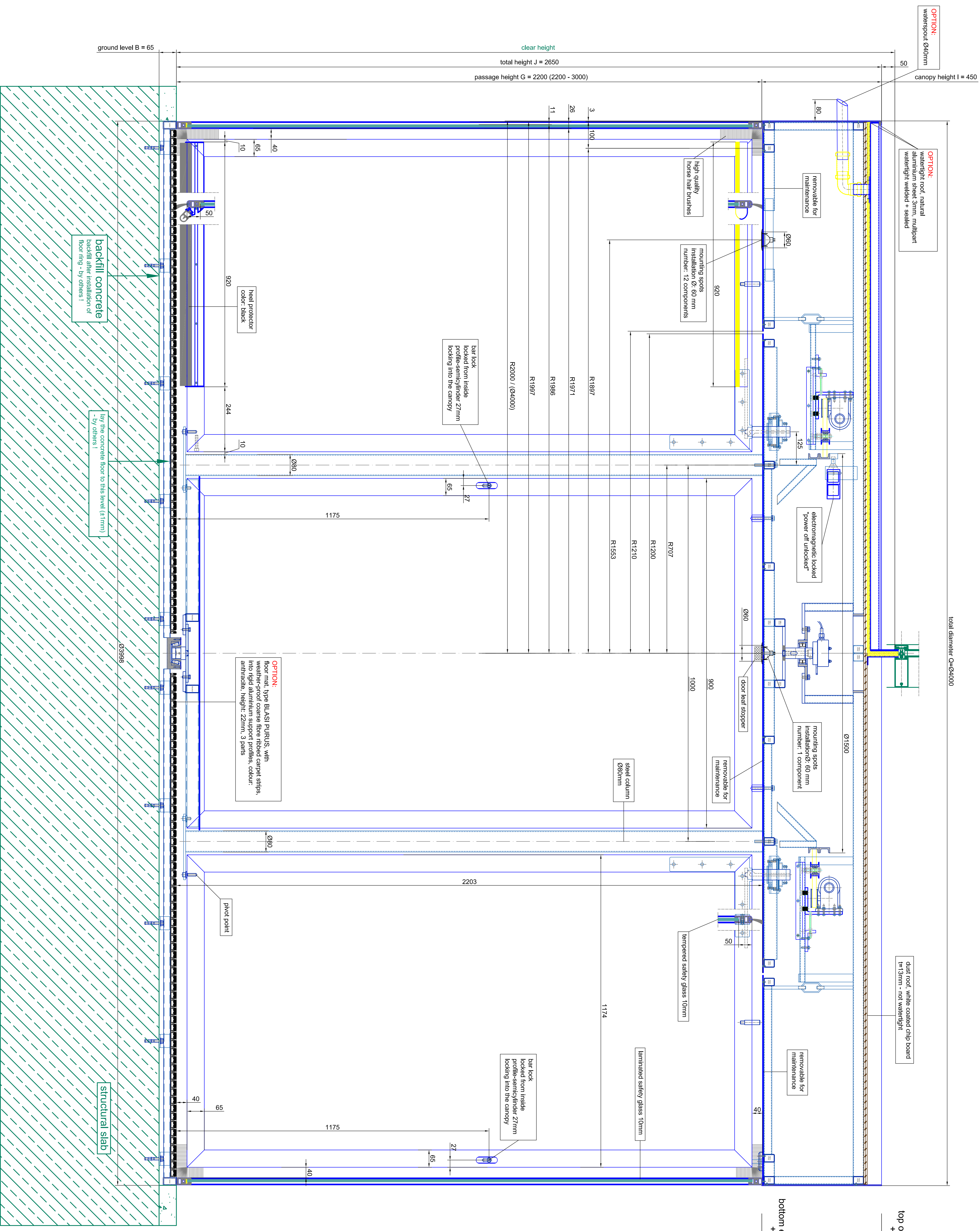


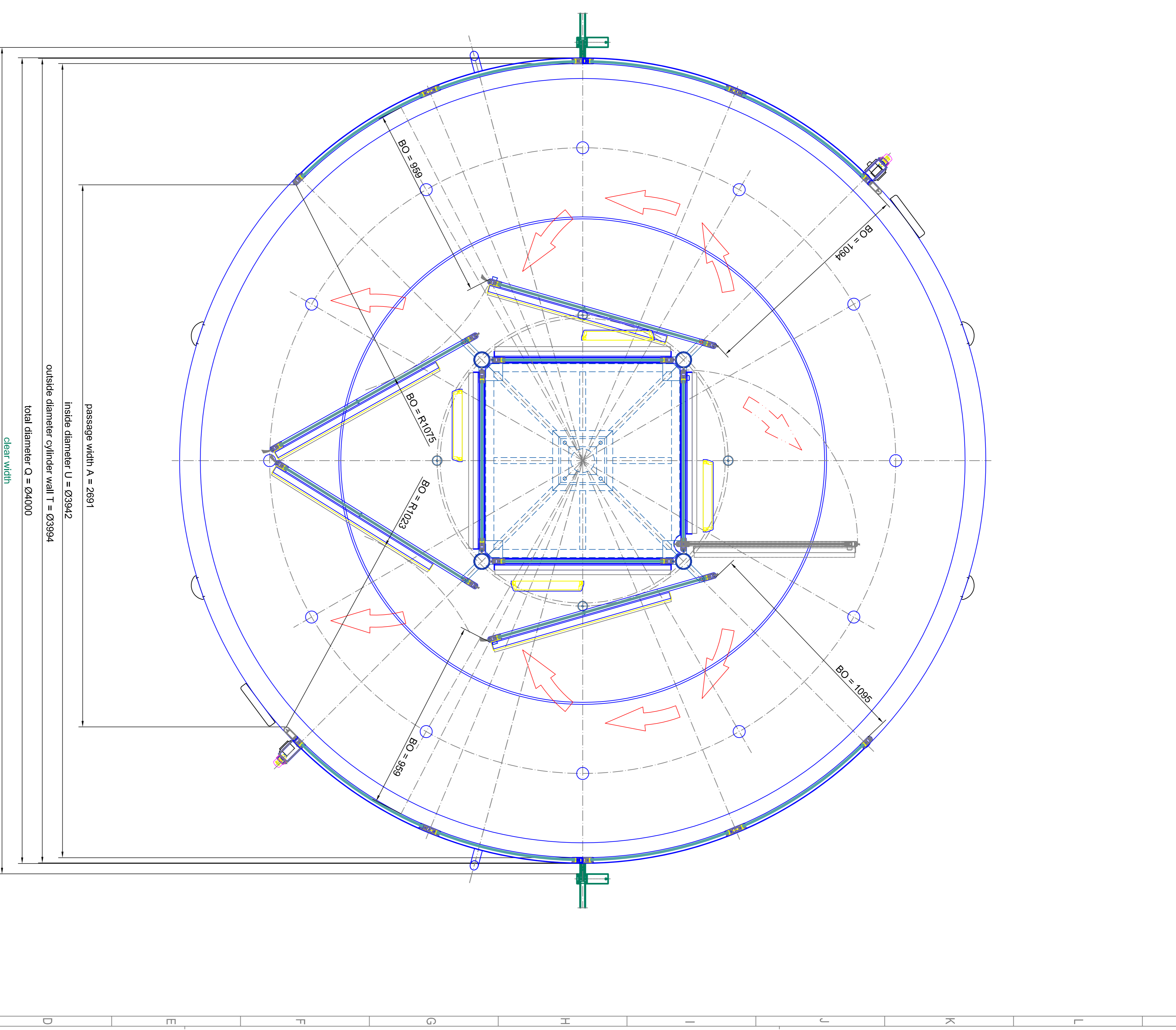
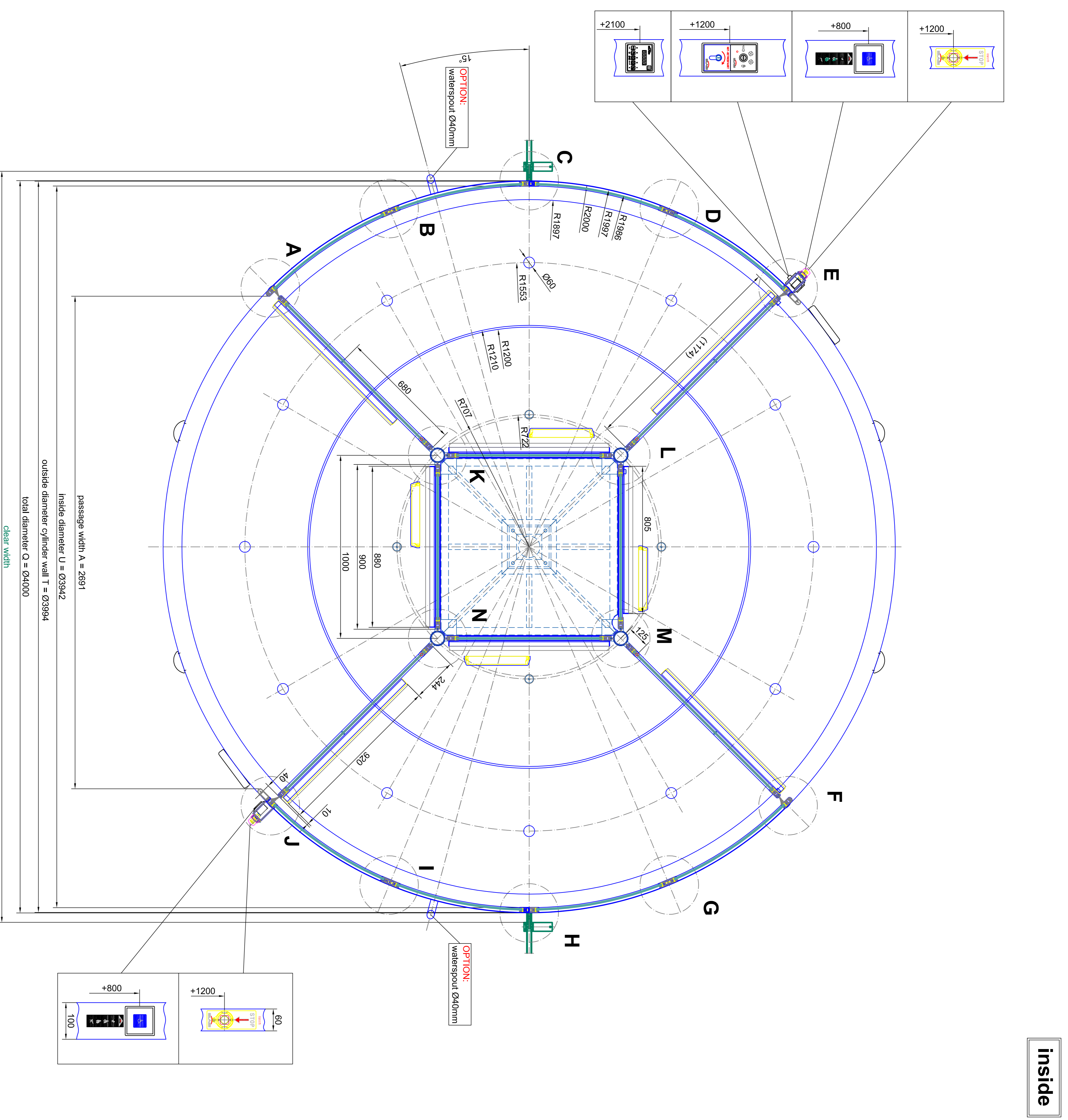
outside

vertical section

inside



<p>BLASI B.L.S. S. & G. s.r.l. Autostar Park Call Street - 5 - 15 D - 77172 Marling</p>		<p> Tel. +3902 7 801 291 Fax. +39022 7 801 299 E-mail: info@blasio.it www. Blasi - info</p>	
<p> BLASI K41-VM-40 Break Out SAMPLE DRAWING ONLY</p>		<p> All visible surfaces: 30x45 (DIN 7981) All other material components: made to order (30x45) Standard: 30x45 Standard: 30x45 Standard: 30x45</p>	
<p> Scale: 1:5 Drawing No.: 01 Date: 04</p>		<p> This drawing is the property of BLASI. It is not allowed to be reproduced or used in any way without the written consent of BLASI.</p>	



Material	Specification	Notes
Frame	Alu. visible surface 30x45 (EN 9971)	Al. painted components must be selected to prevent
Panel	tempered safety glass 10 mm	tempered safety glass 10 mm

horizontal section - door in standard position

horizontal section - door in break out position

BLASI

B.L.A.S.I. G. & A. S. r.l.
Automatic Door
Call center: Street 5 - 15
D - 77172 Malbego

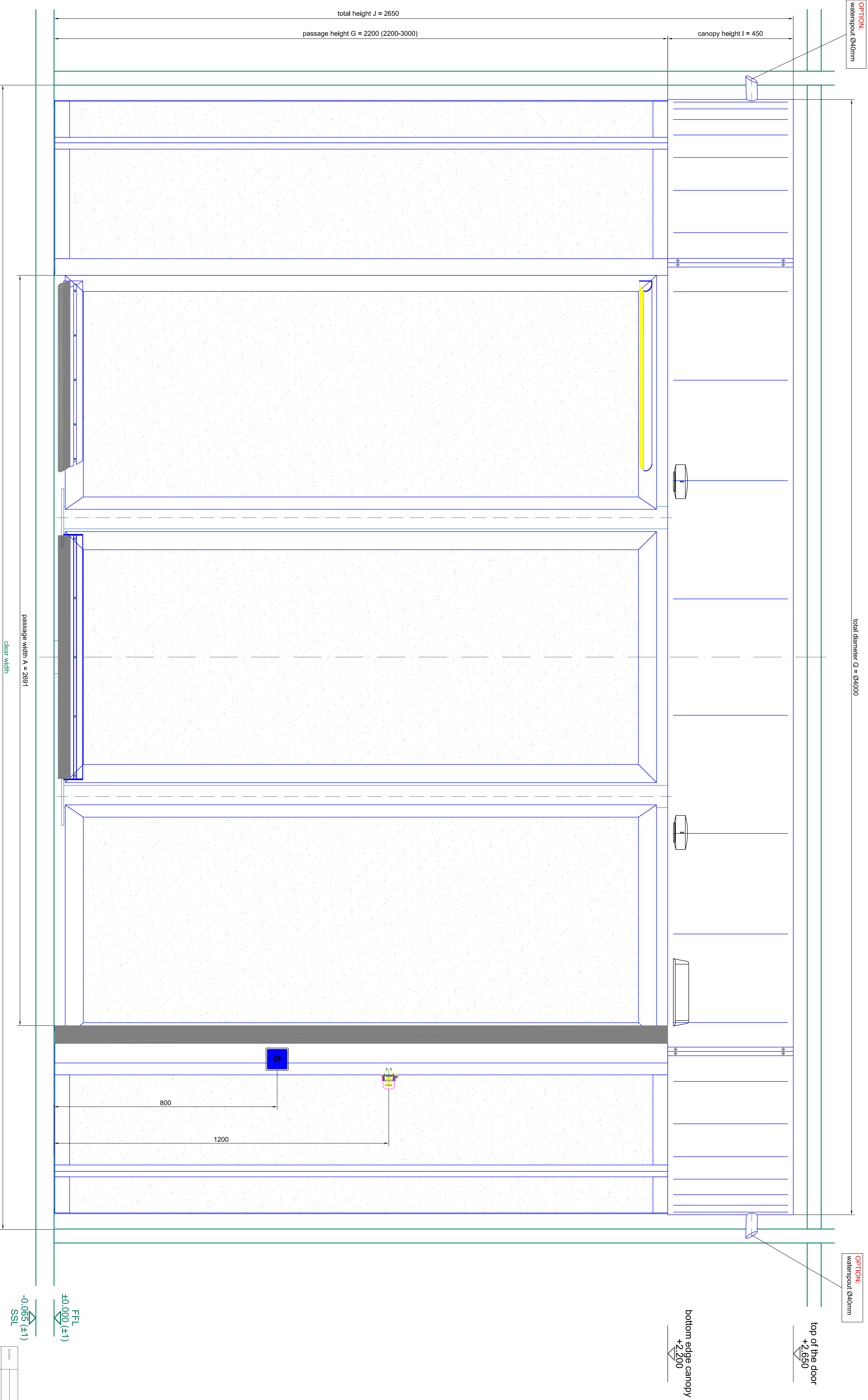
TEL: +39022 / 881 - 281
FAX: +39022 / 881 - 280
E-mail: info@blasio.it
www.blasi.info

Project: **K41-VV40 Break Out**
Customer: **SAMPLE DRAWING ONLY**

Scale: 1:10
Date: 02/04/2024

Page: 02
Total: 04

front elevation - outside



Material	Specification	Notes
Door	tempered safety glass 10 mm	tempered safety glass 10 mm
Canopy	tempered safety glass 10 mm	tempered safety glass 10 mm

BLASI

B.L.A.S.I. G. & A. S. r.l.
Automatic Door
Call center - Street 5 - 15
D - 77172 Malibon

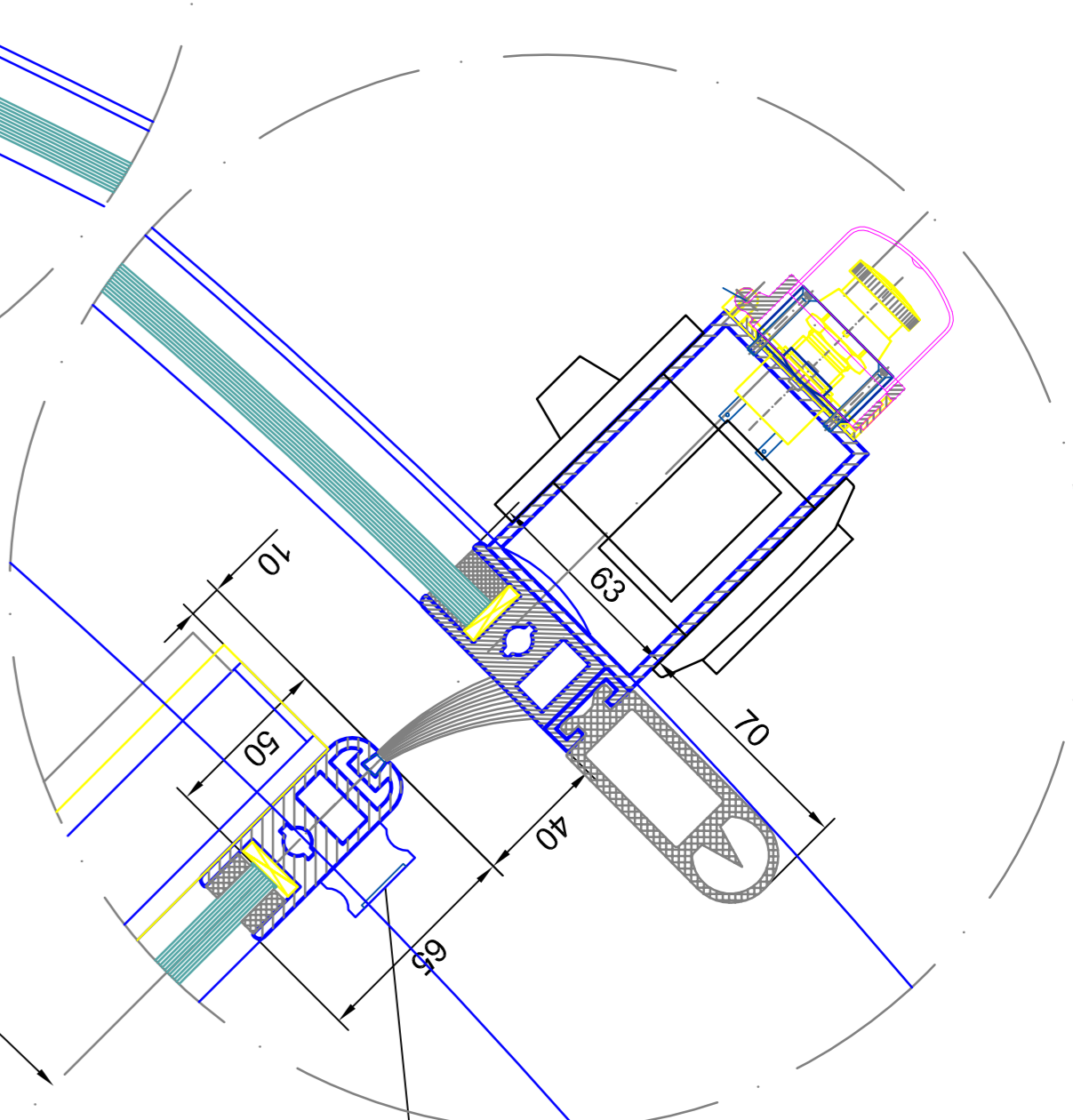
TEL: +39022 / 880 - 288
FAX: +39022 / 880 - 289
E-mail: info@blasio.it
www.blasi.info

Project: **K41-1-VV-140 Break Out**
Type: **SAMPLE DRAWING ONLY**

Scale: 03
Date: 04

The drawings in this set of the complete door, in the absence of a reference to a specific technical condition, are valid.

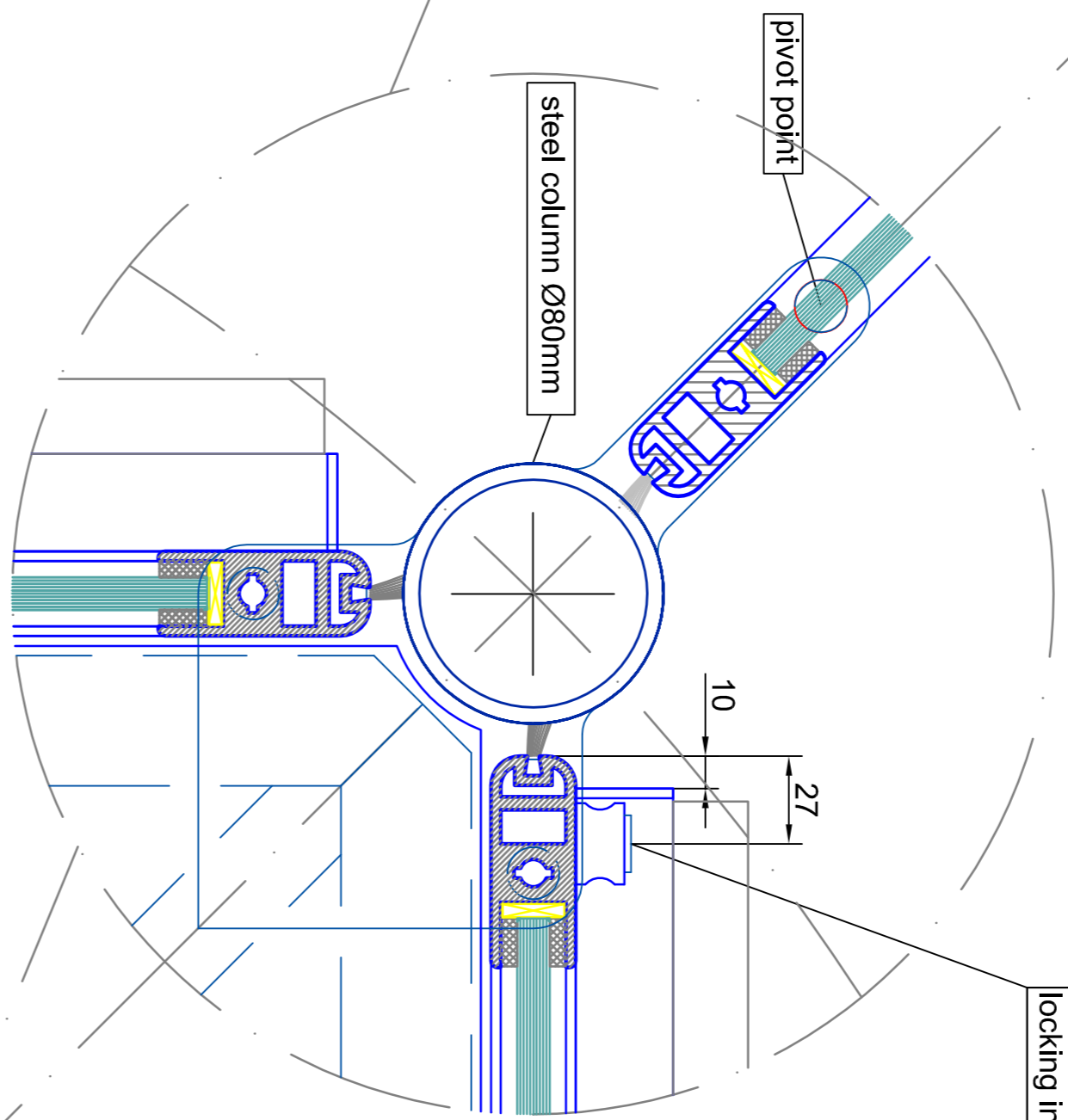
detail E



bar lock
locked from inside
profile-semicylinder 27mm
locking into the canopy

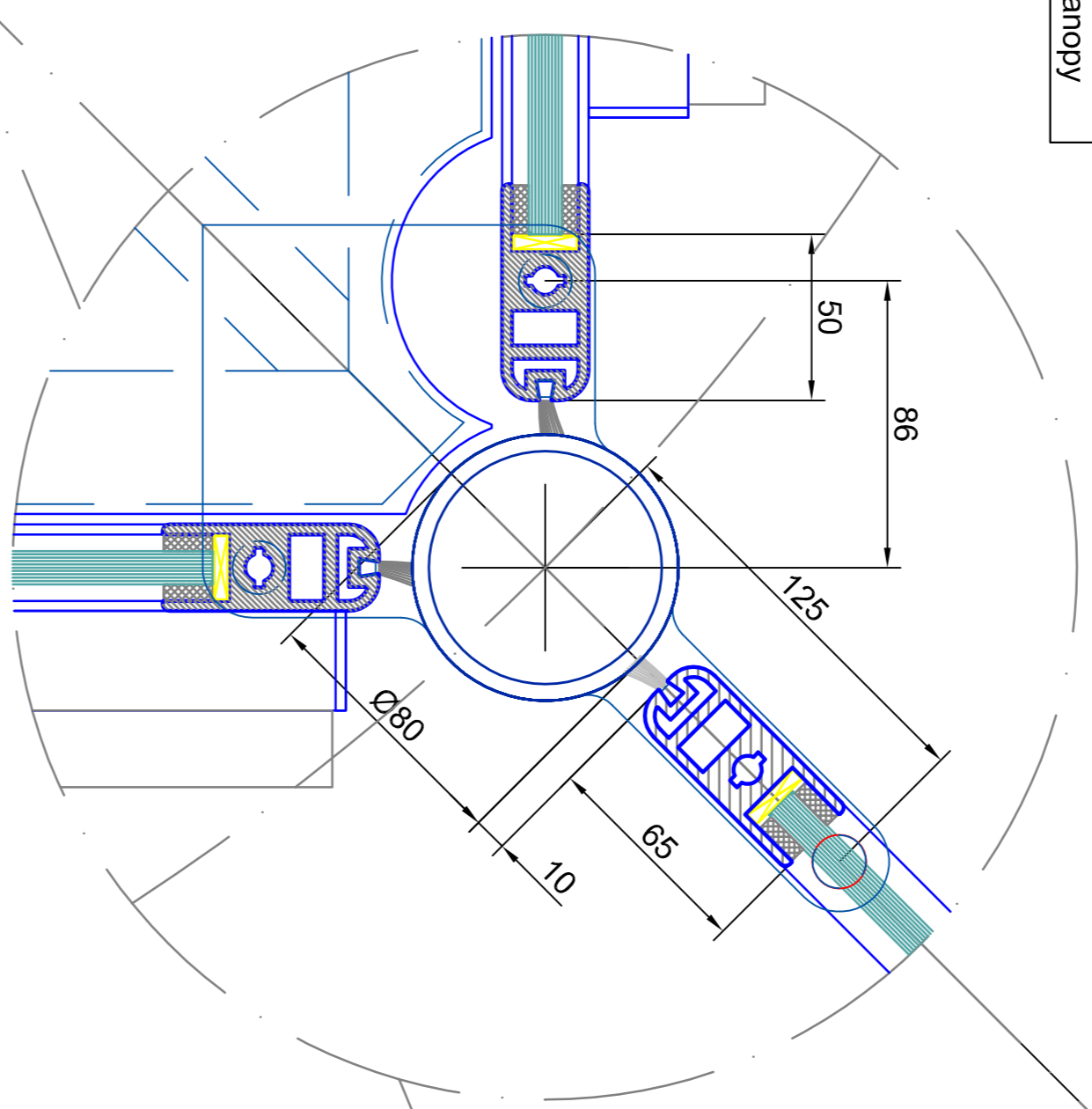
inside

detail L



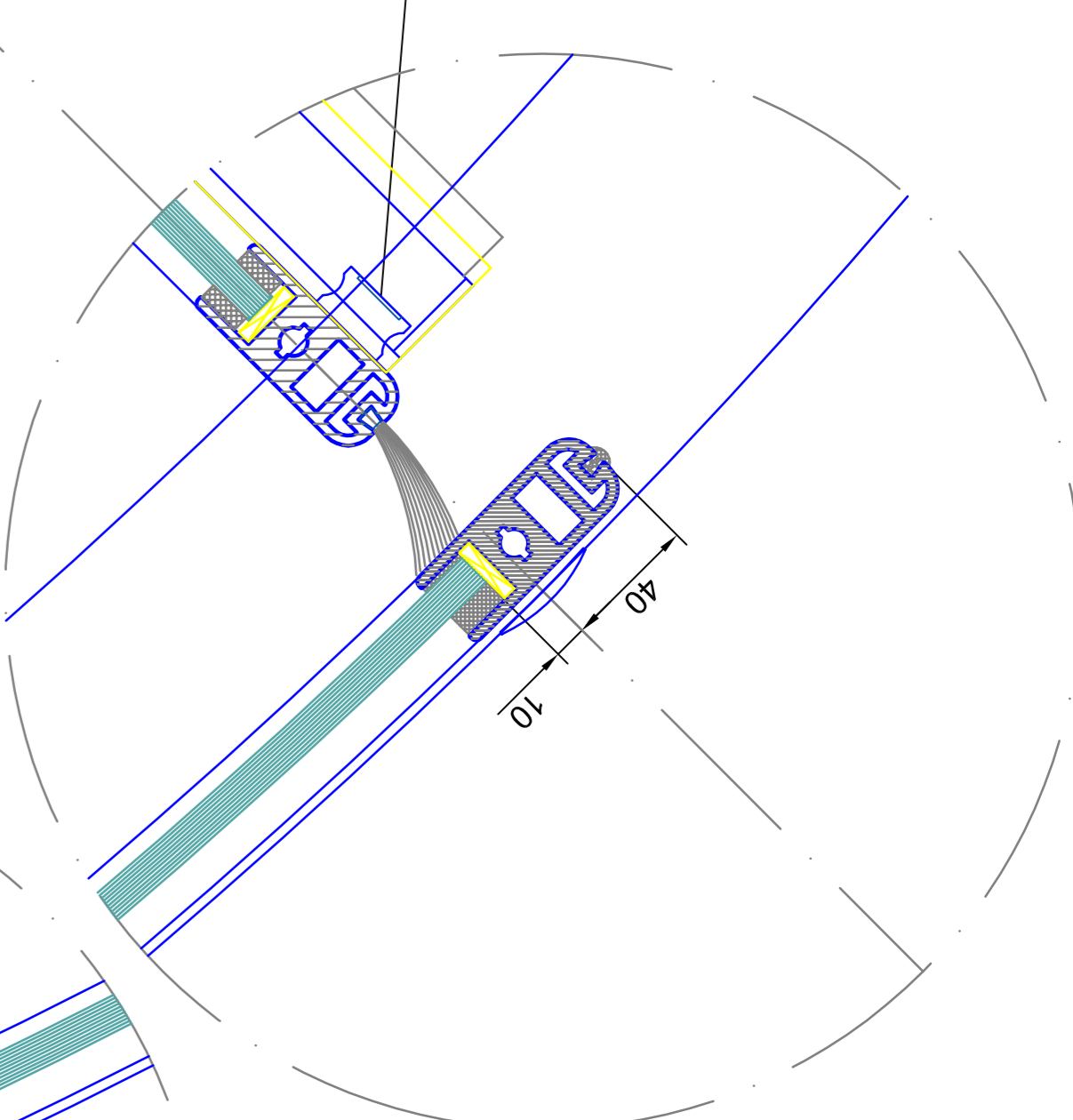
bar lock
locked from inside
profile-semicylinder 27mm
locking into the canopy

detail M

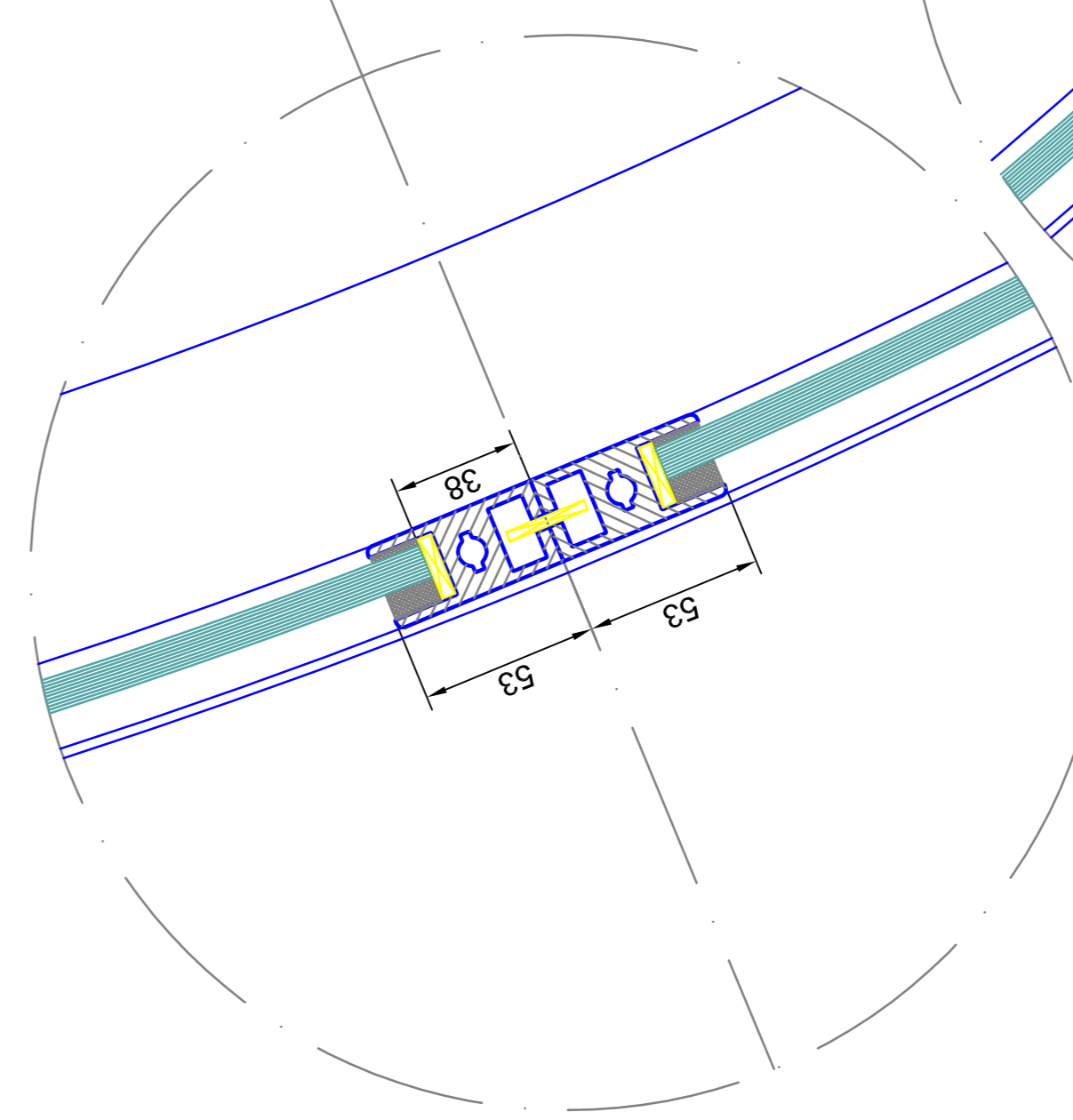


bar lock
locked from inside
profile-semicylinder 27mm
locking into the canopy

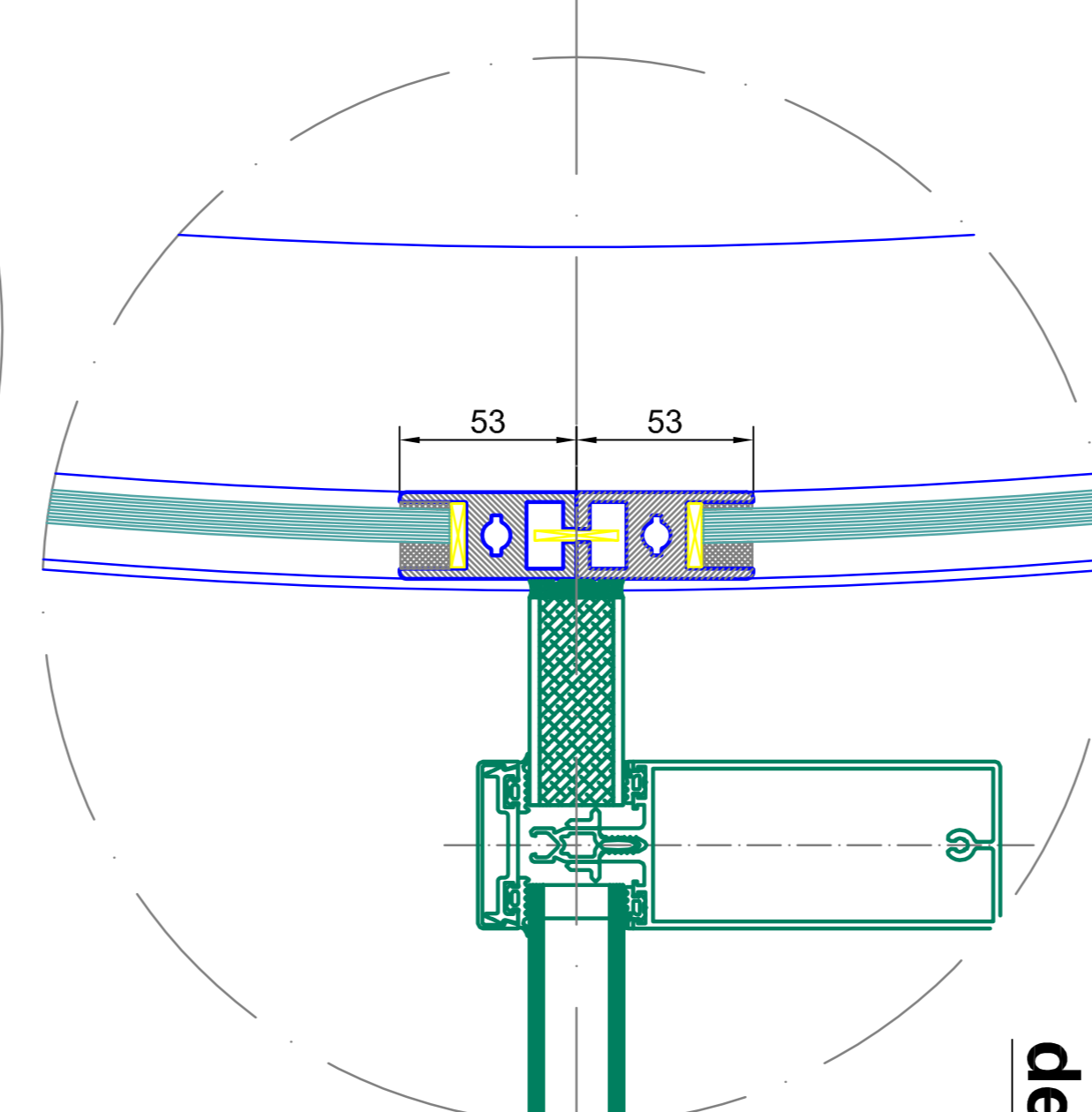
detail F



detail G

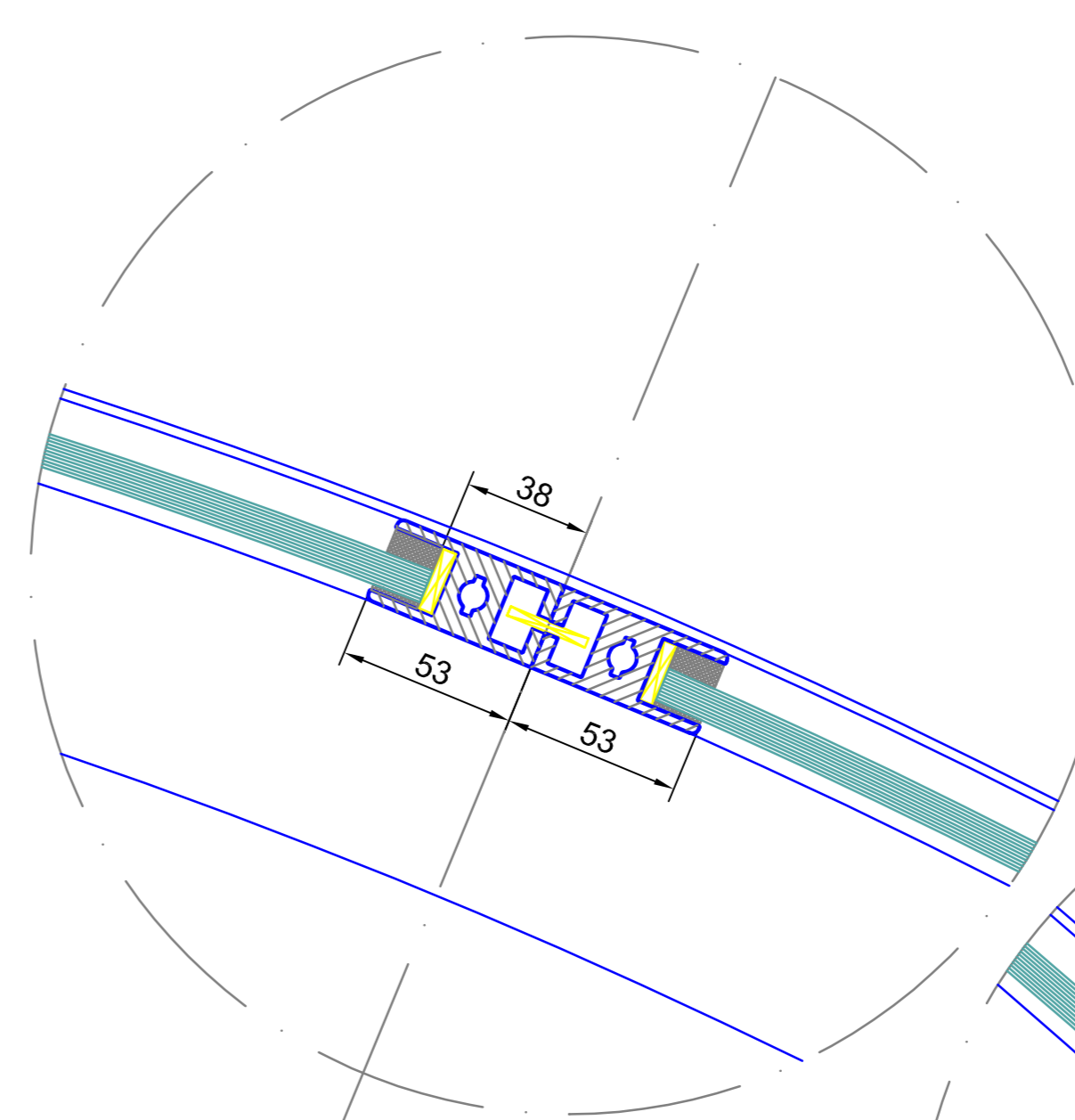


detail H

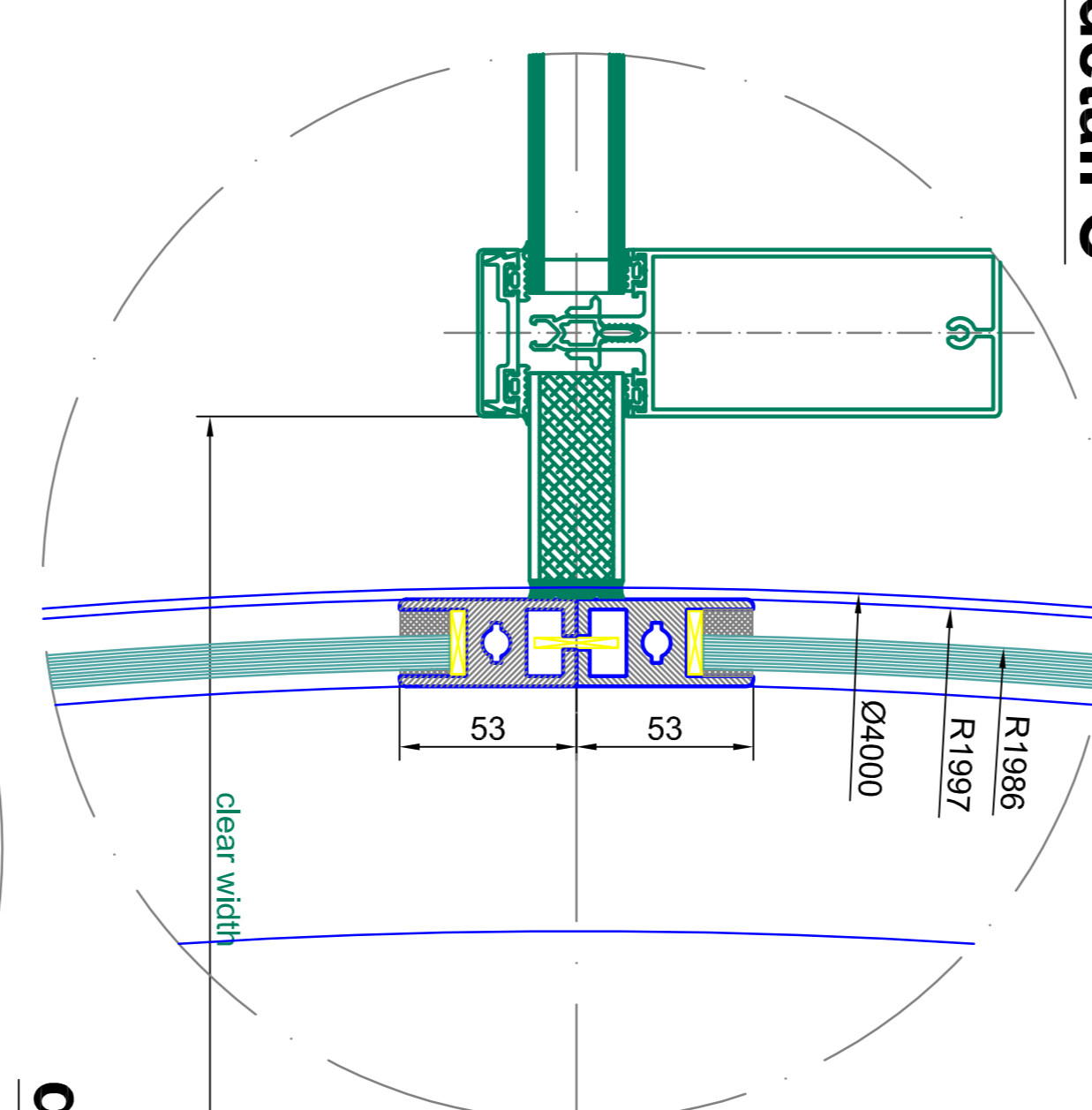


detail E

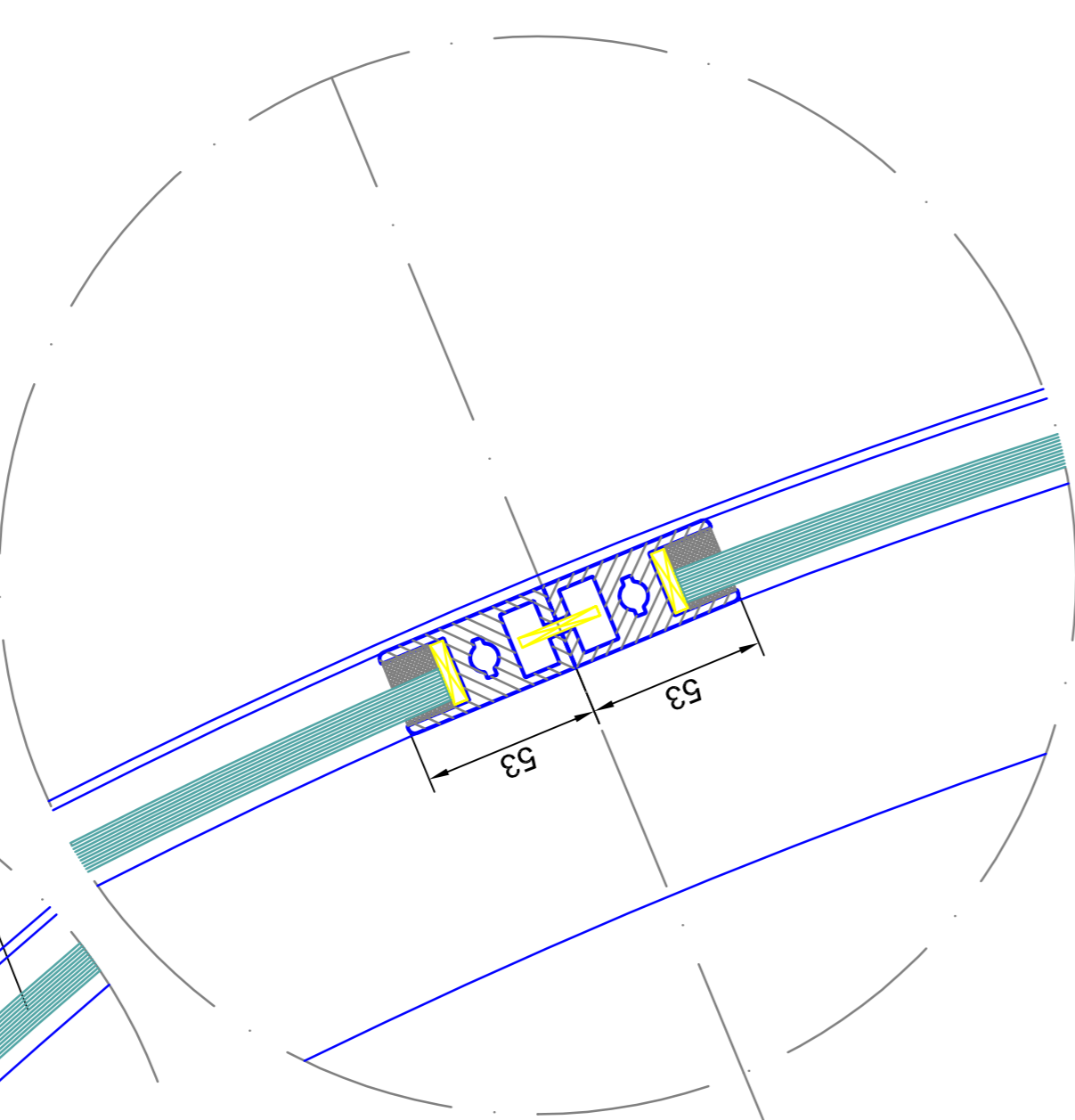
detail D



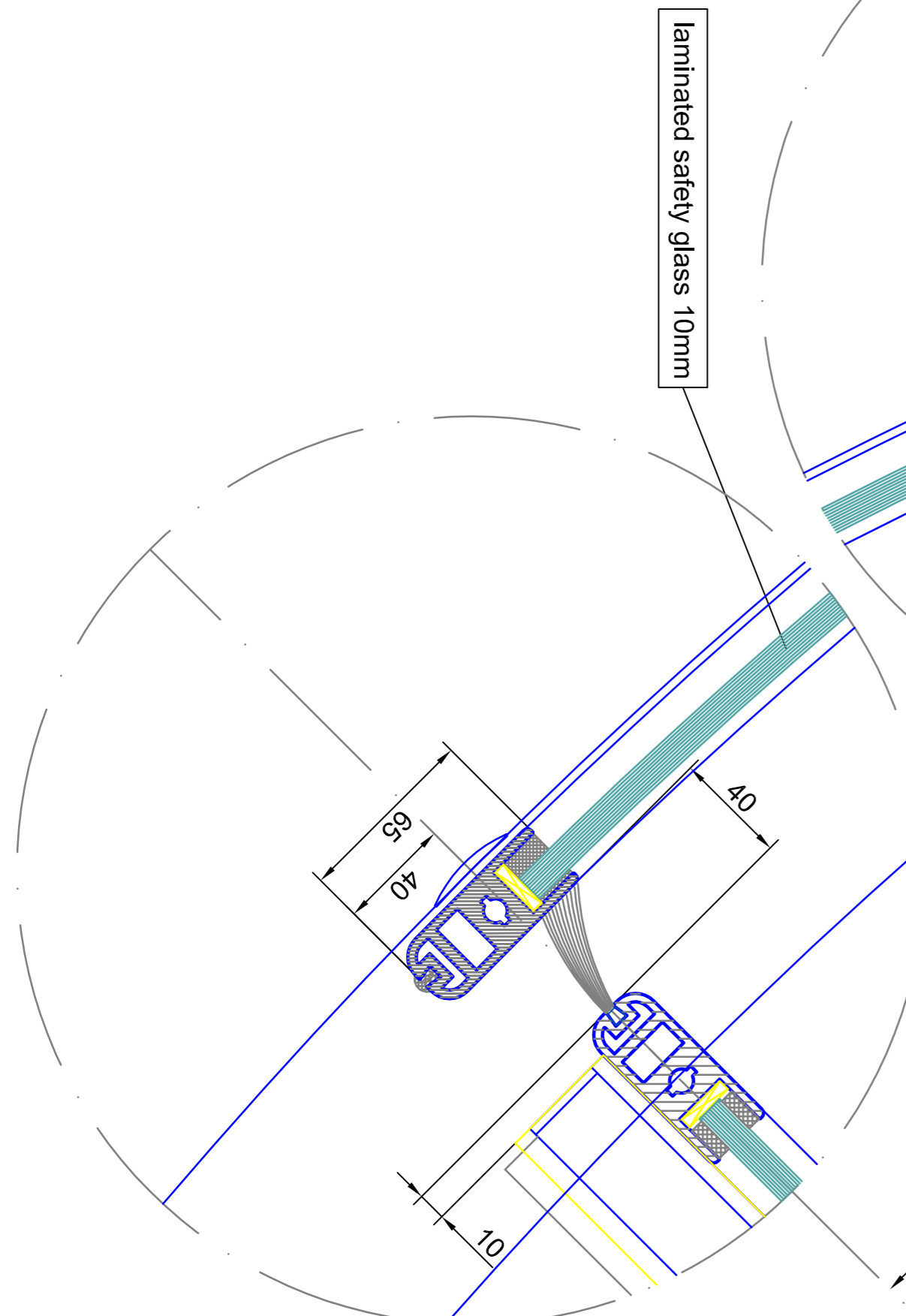
detail C



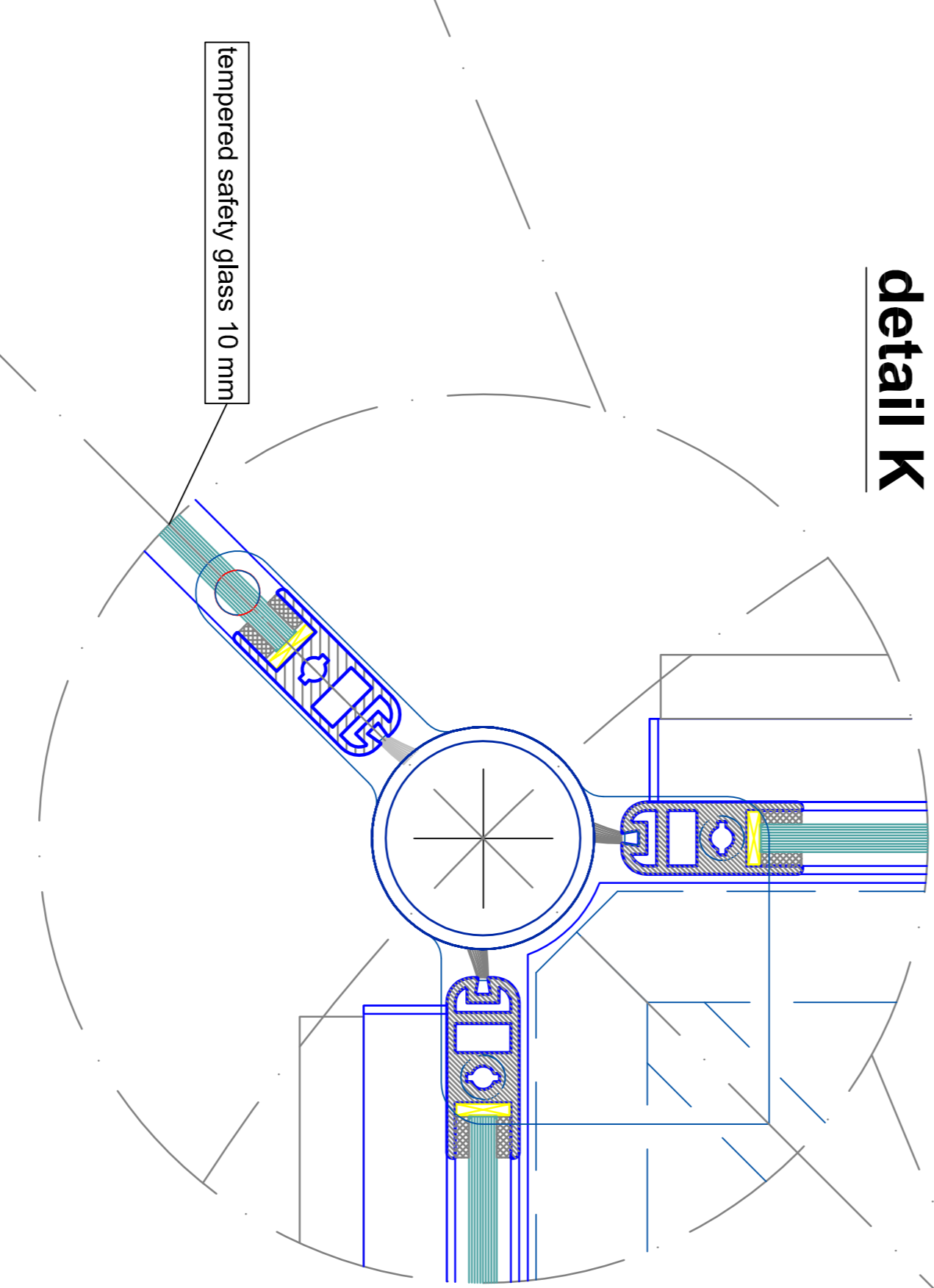
detail B



detail A

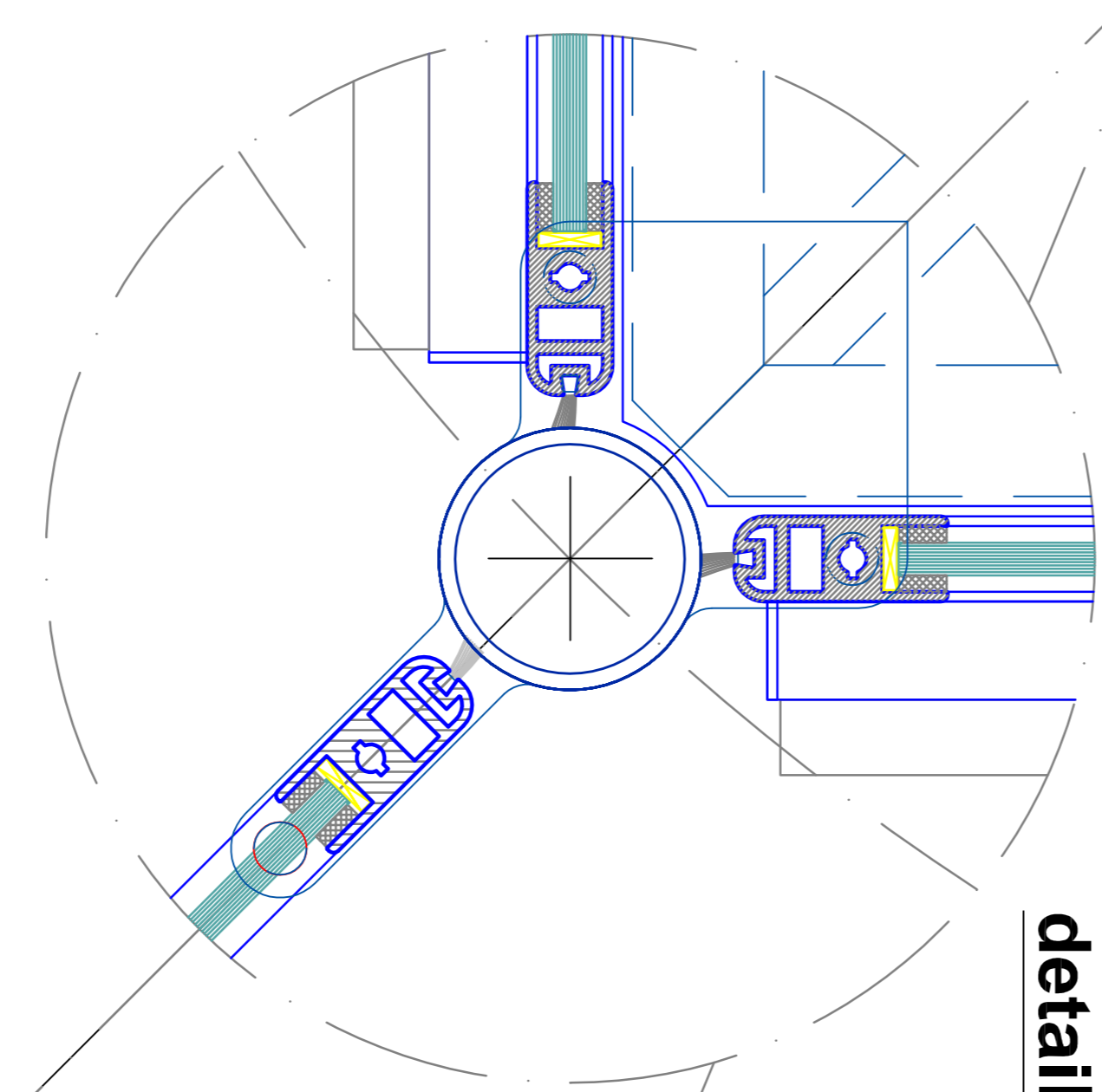


detail K

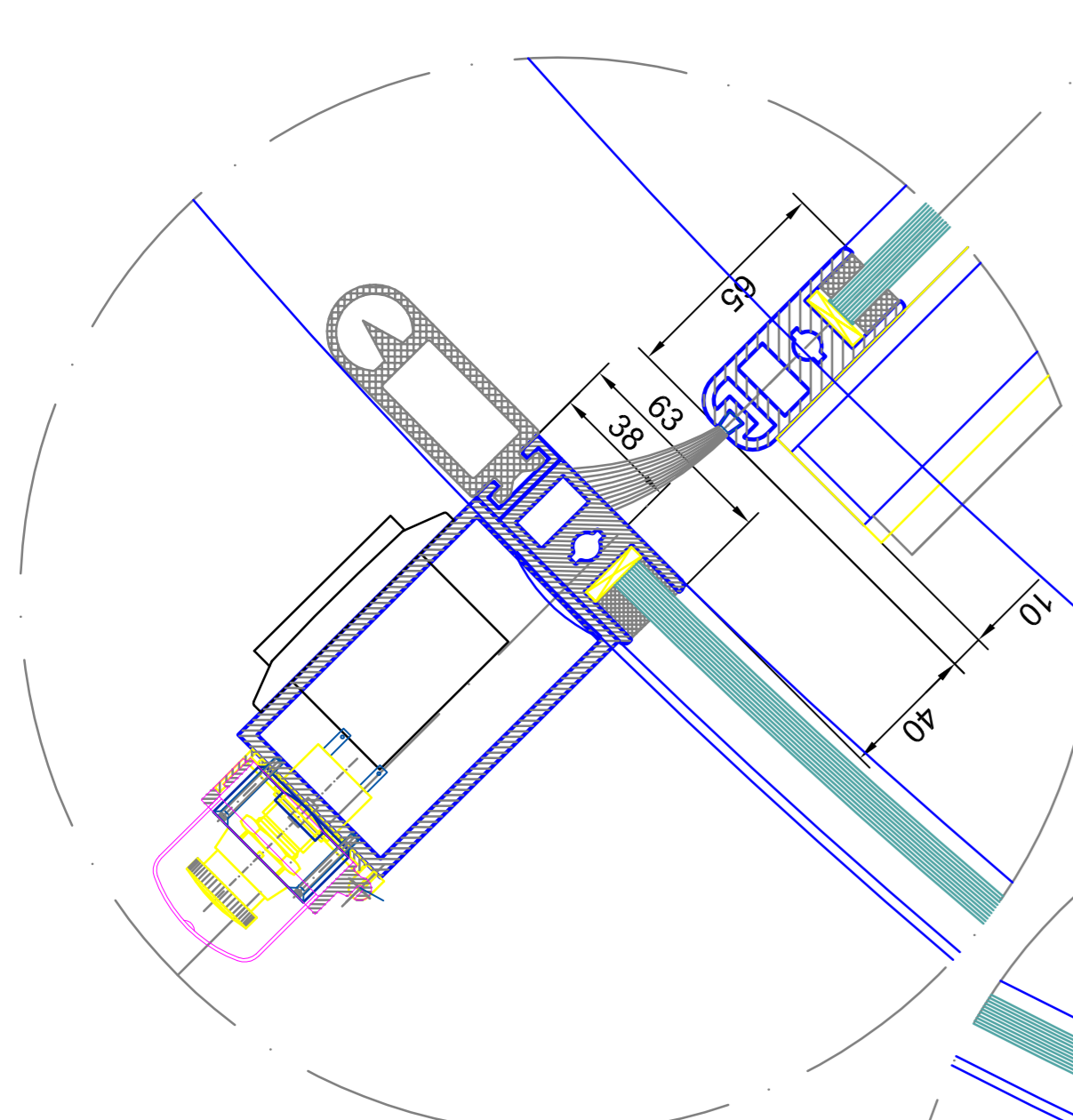


outside

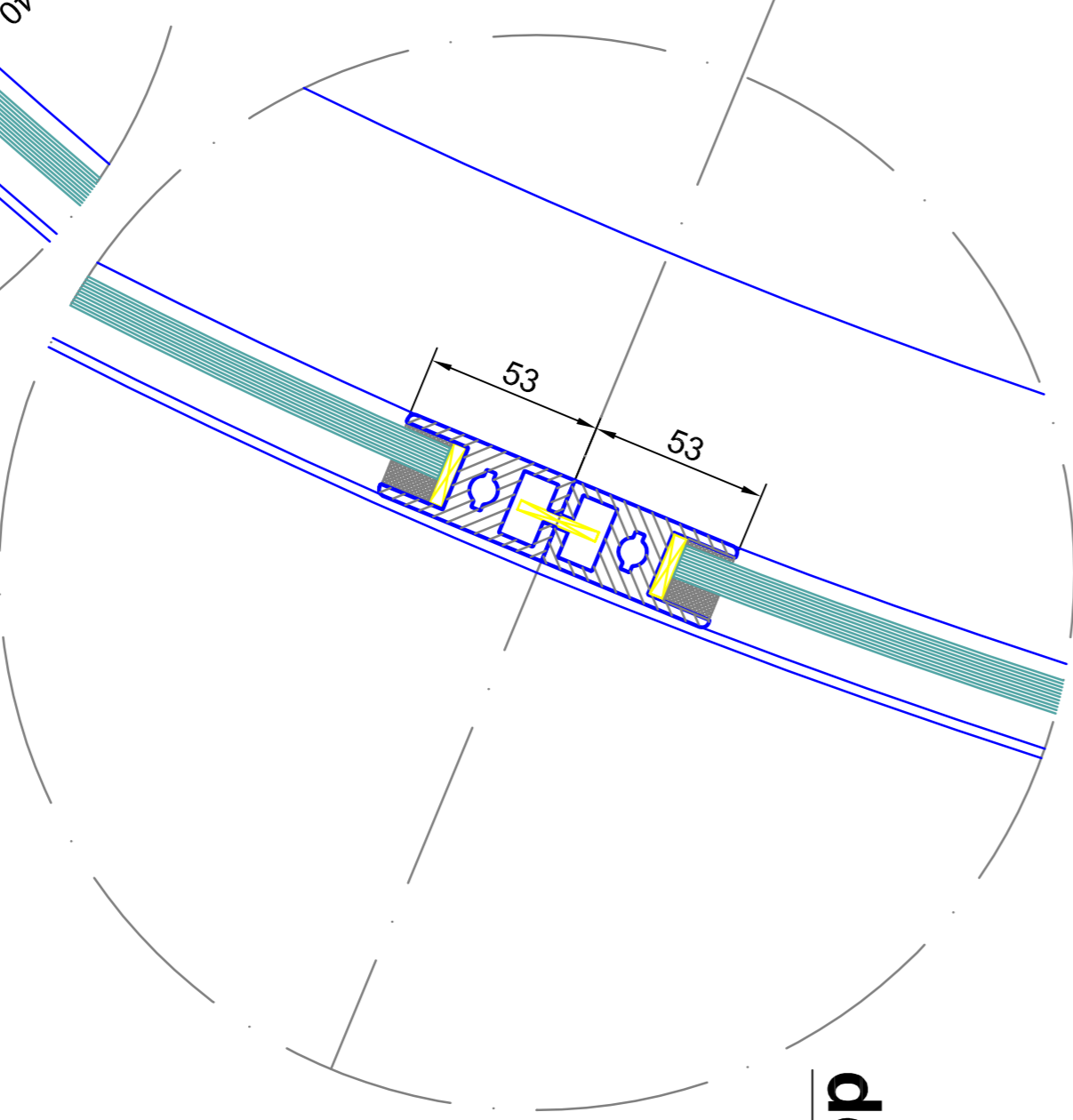
detail N



detail J



detail I



Material	Alu. visible surface	100 (99.9)	Al. painted components must be selected to prevent
Material	tempered safety glass 10 mm	30x43	laminated safety glass 10 mm

BLASI

B.L.A.S.I. S.p.A. M
Autostar, P.O. Box 299
Autostar, P.O. Box 299
Autostar, P.O. Box 299
Autostar, P.O. Box 299

44039 Zola Predosa (BO) Italy
Tel. +39 0522 888 788
Fax. +39 0522 888 789
E-mail: info@blasidna.com
www.blasi.info

R41-VV40 Break Out
SAMPLE DRAWING ONLY

Scale	1:1
Sheet	04
Drawn	04
Checked	04