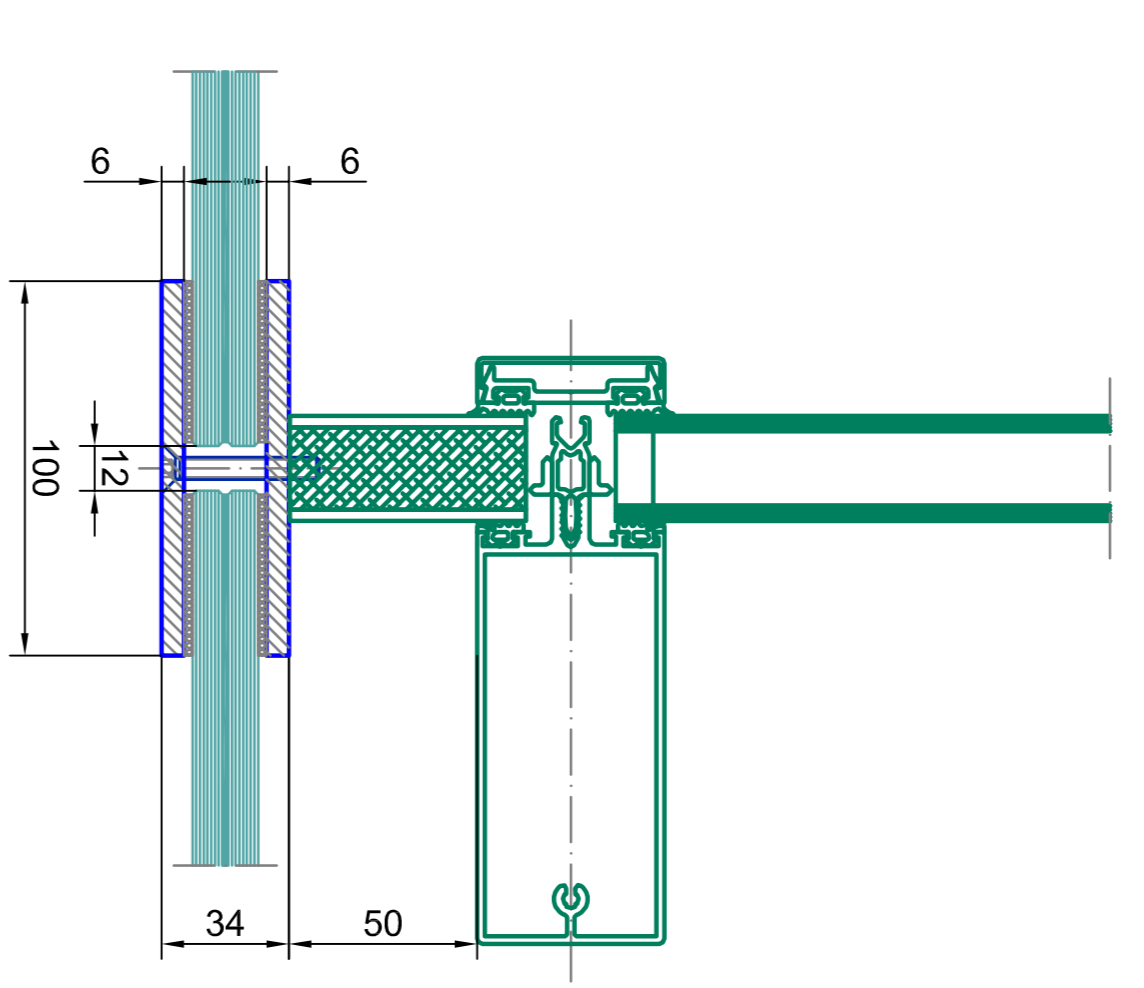
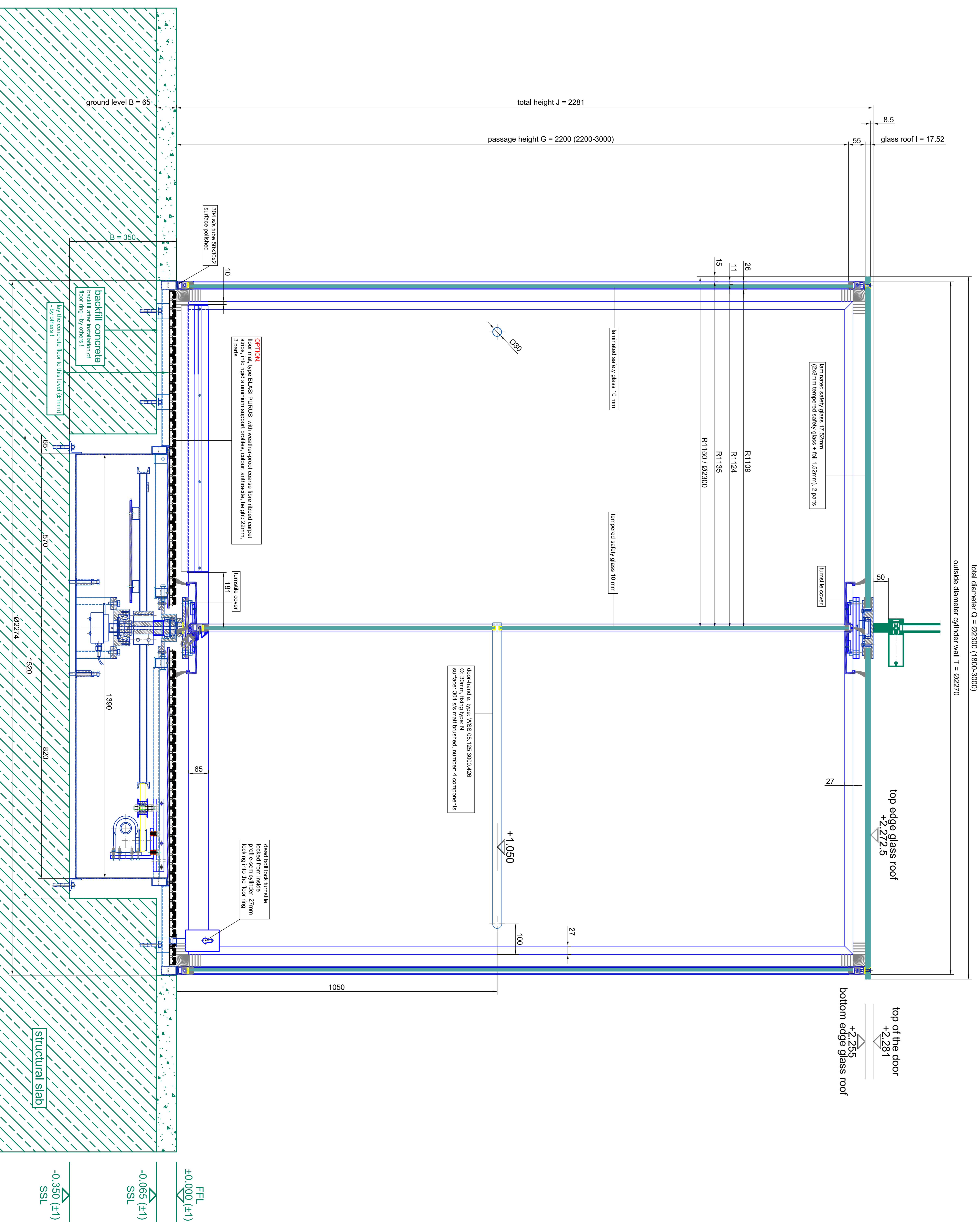


Vertical section

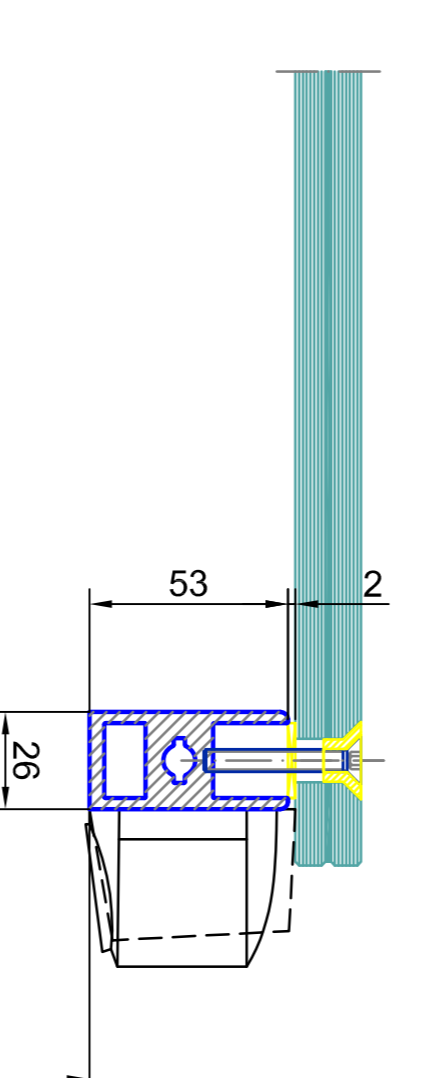
outside

inside



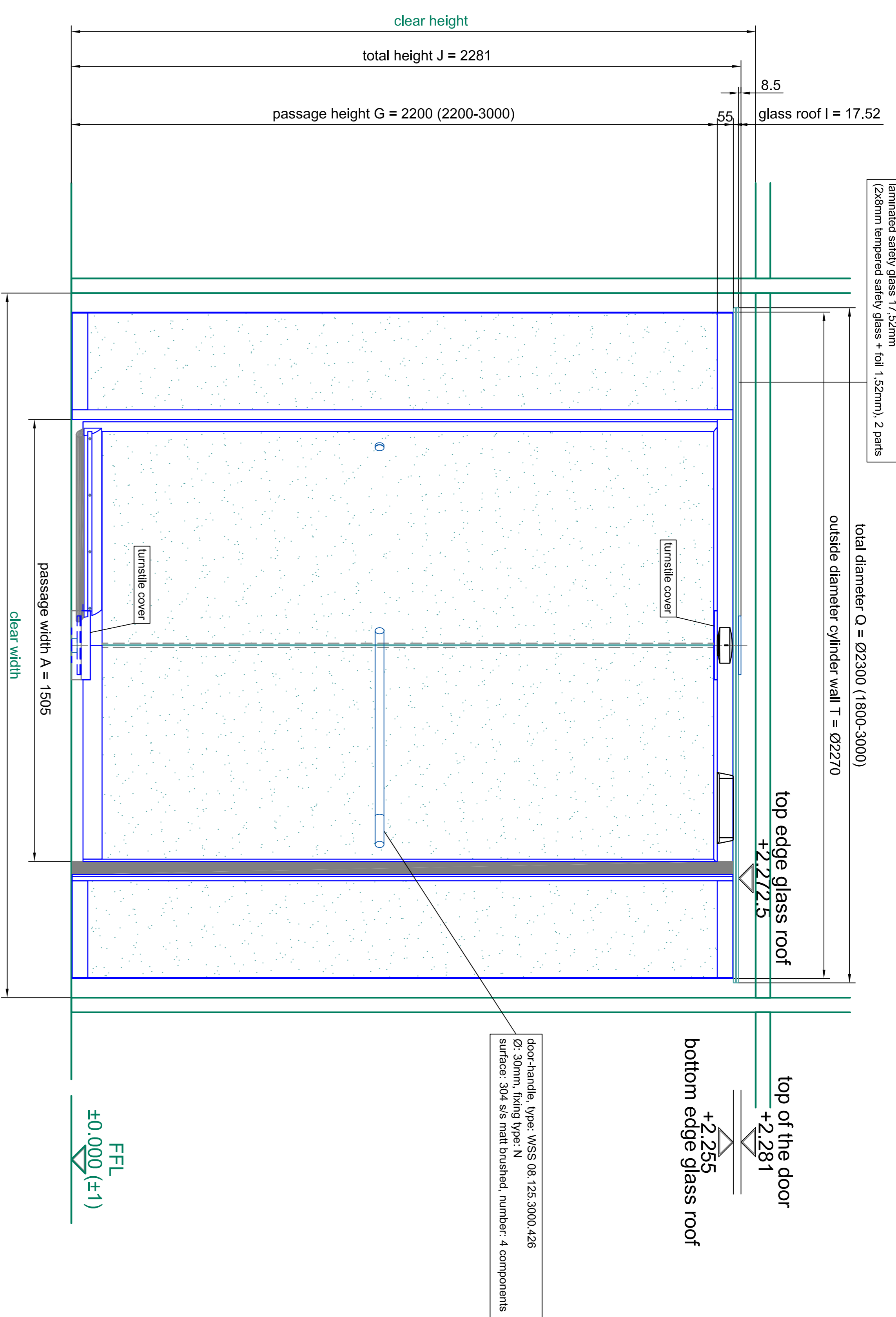
Vertical section - passage area

A0 - M 1:2

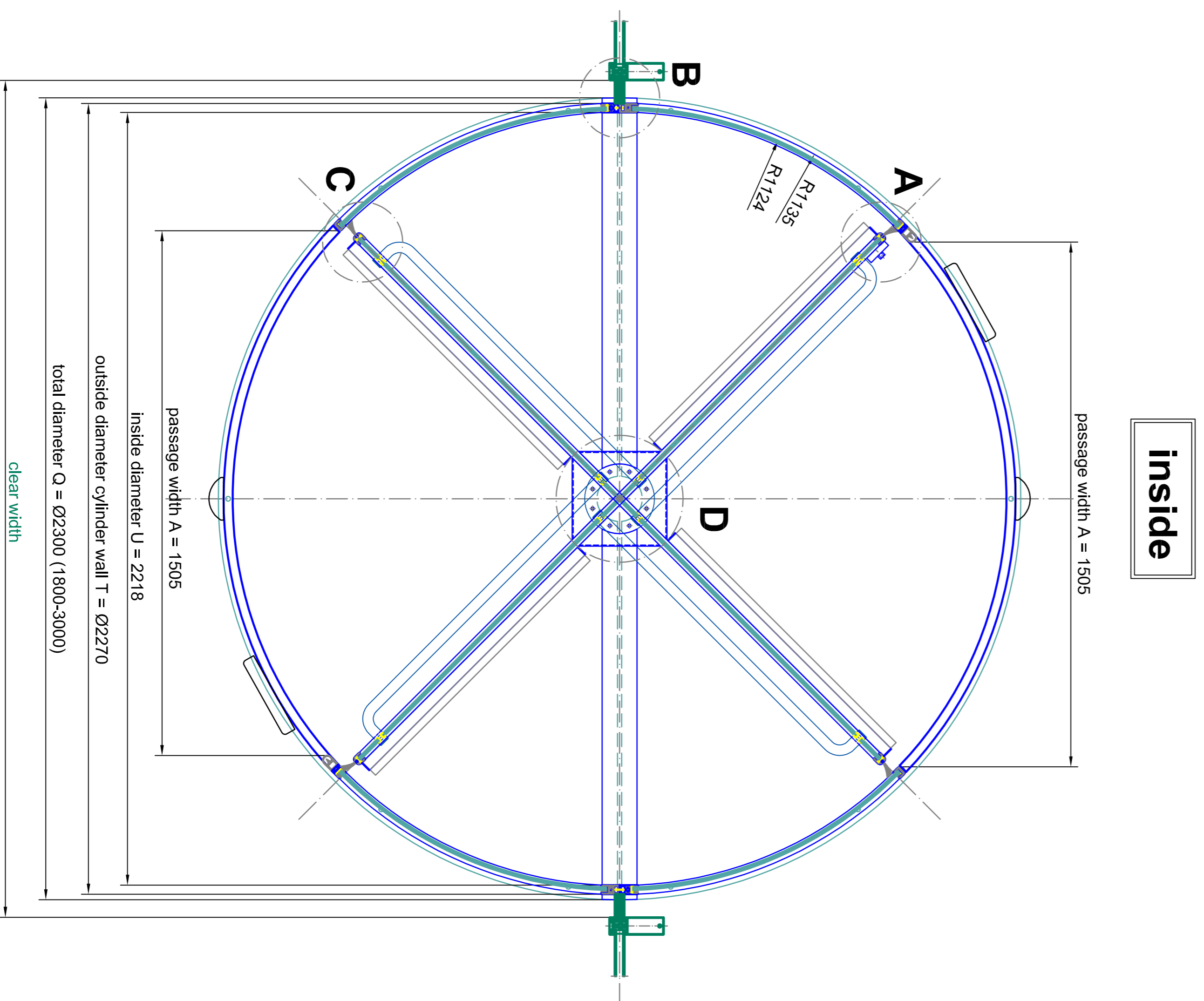


passage height $G = 2200$ (2200-3000)

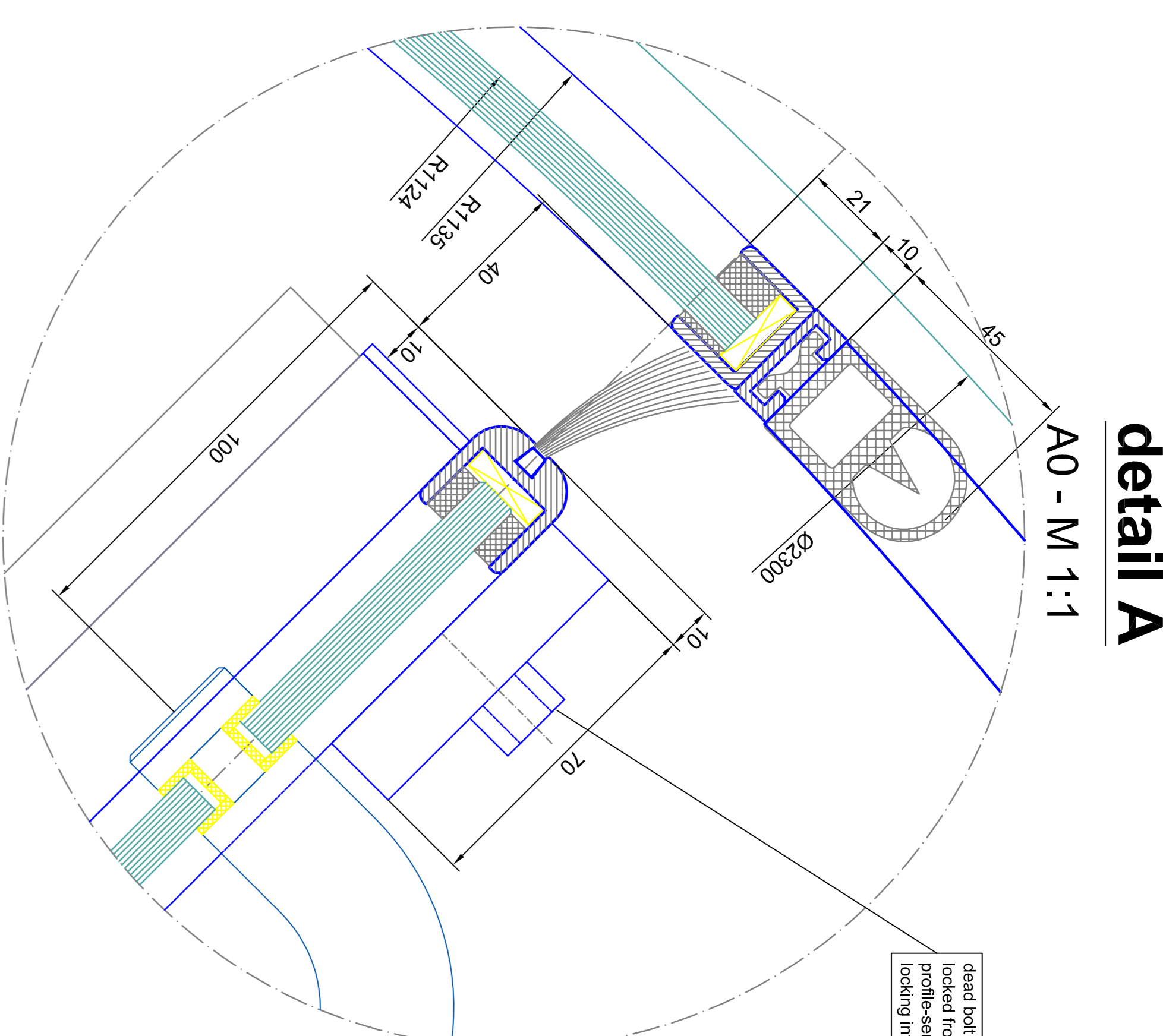
Scale:	A0 - M 1:5	Project:	K41-V/SU-23 V110
Client:	BLASI	Contract No.:	SAMPLE DRAWING ONLY
Address:	B.L.A.S.I. G.m.b.H. Tel. +49(0)222 / 863 - 291 Fax. +49(0)222 / 863 - 299	Revision:	01
Product:	Automatic Door	Revision:	02
Material:	Aluminum	Revision:	
Manufacturer:	W.M. Blasi - 1180	Revision:	



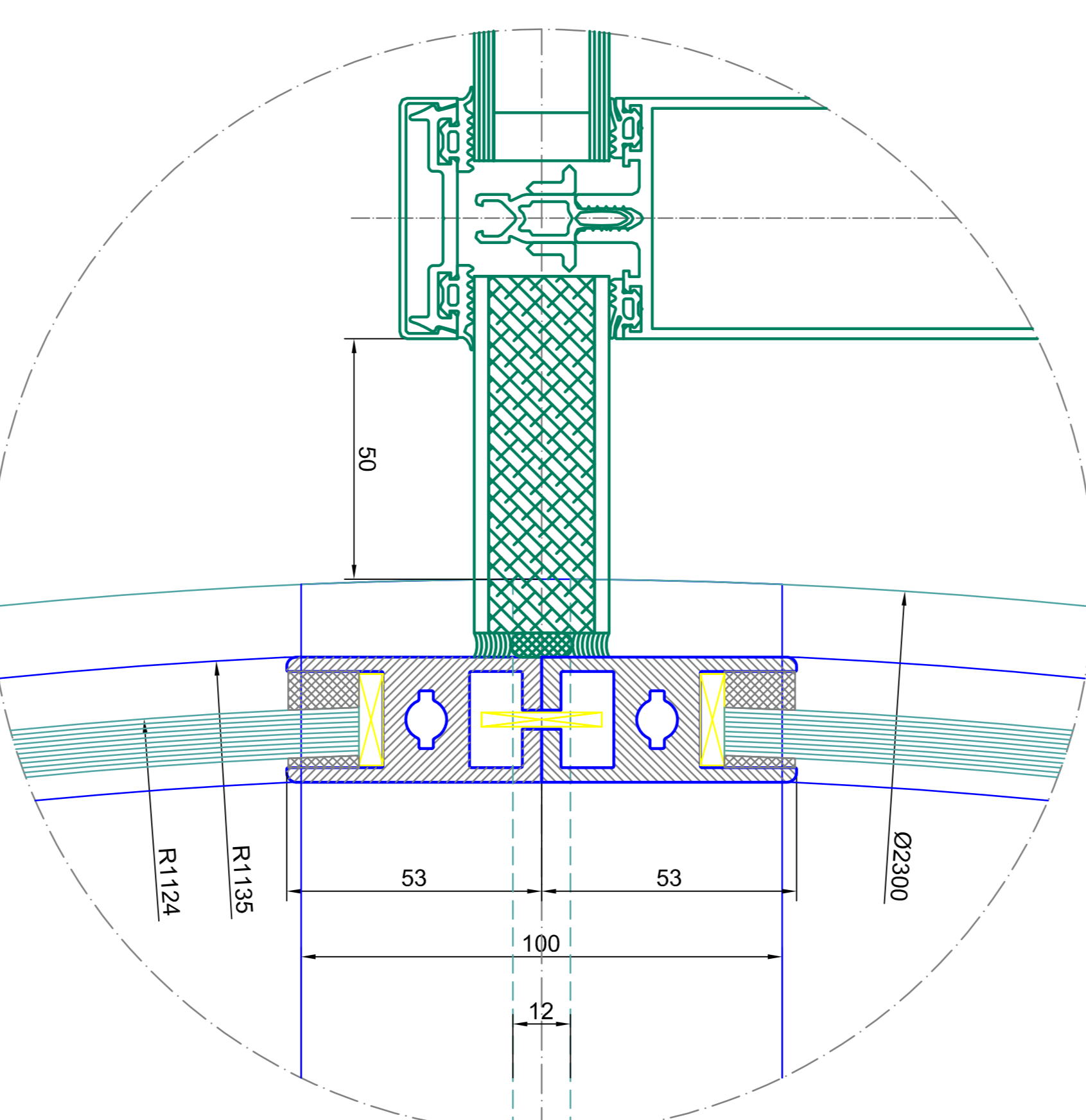
front elevation - outside



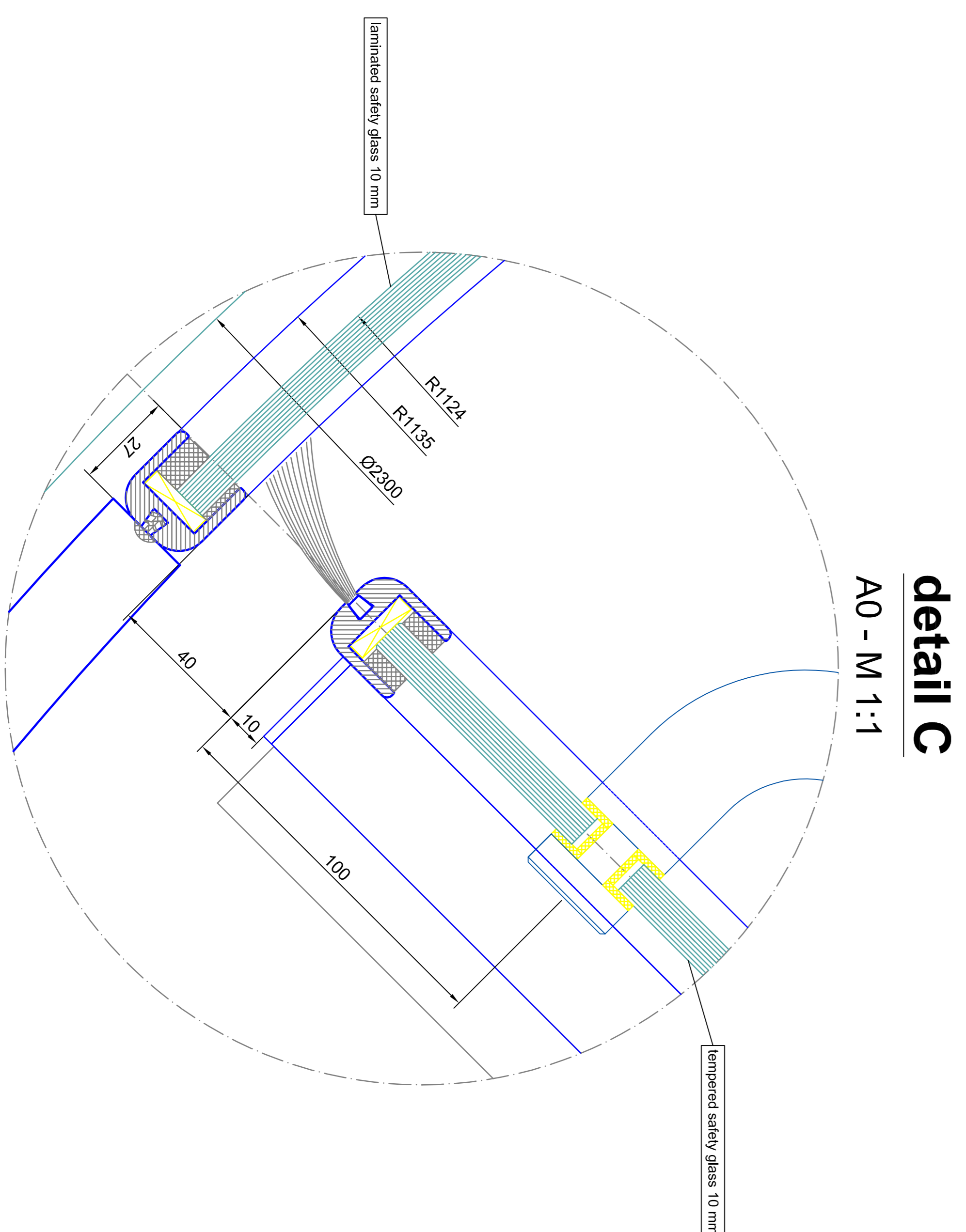
plan view



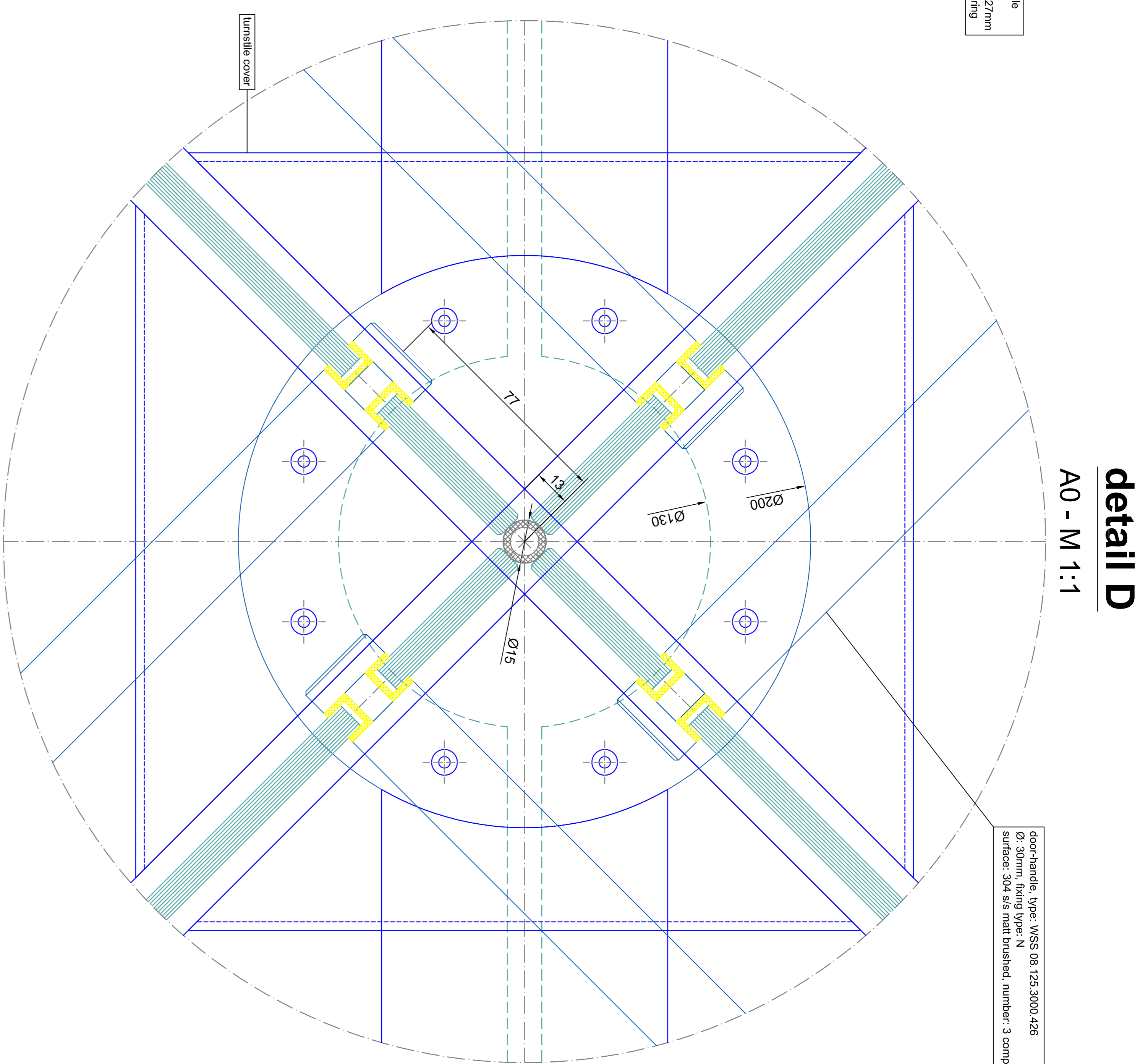
detail A



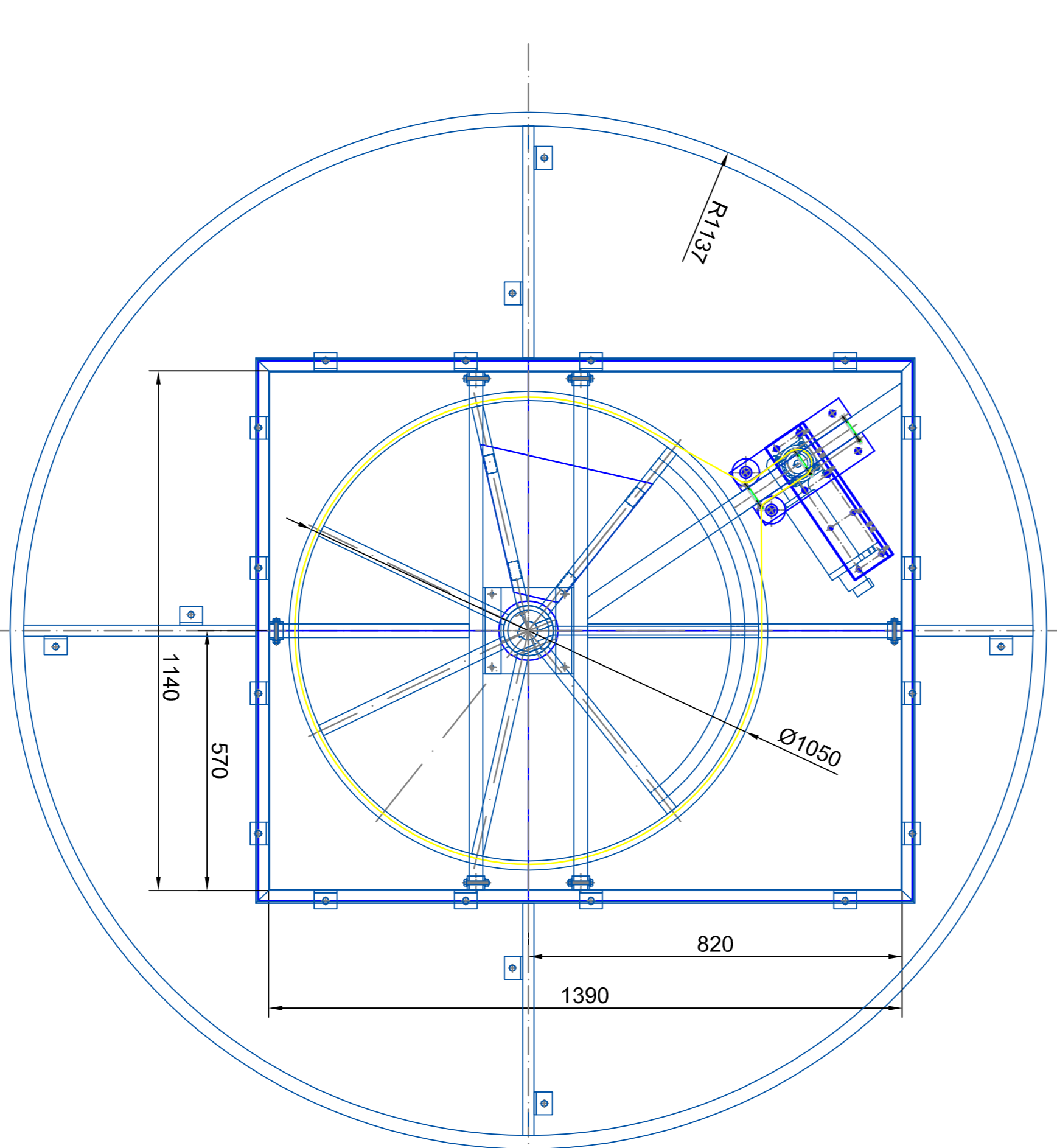
detail B



detail C



detail D



floor ring

Scale:	A0 = M 1:1:0	Configuration:	02
Project:	BLASI	Client:	K41-V/SU-23 VINO
Sheet:	304.49	Contract:	SAMPLE DRAWING ONLY
Material:	tempered safety glass 10 mm	Manufacturer:	
Surface:	tempered safety glass 10 mm	Supplier:	

BLASI
 B L A S I G m b H
 Automatic Doors
 Cef. Strada 5, 15
 0 - 11912 - Milano
 Tel. +39022 / 863 - 291
 Fax. +39022 / 863 - 296
 E-mail: info@blasi.it
 WWW: Blasi - 1190