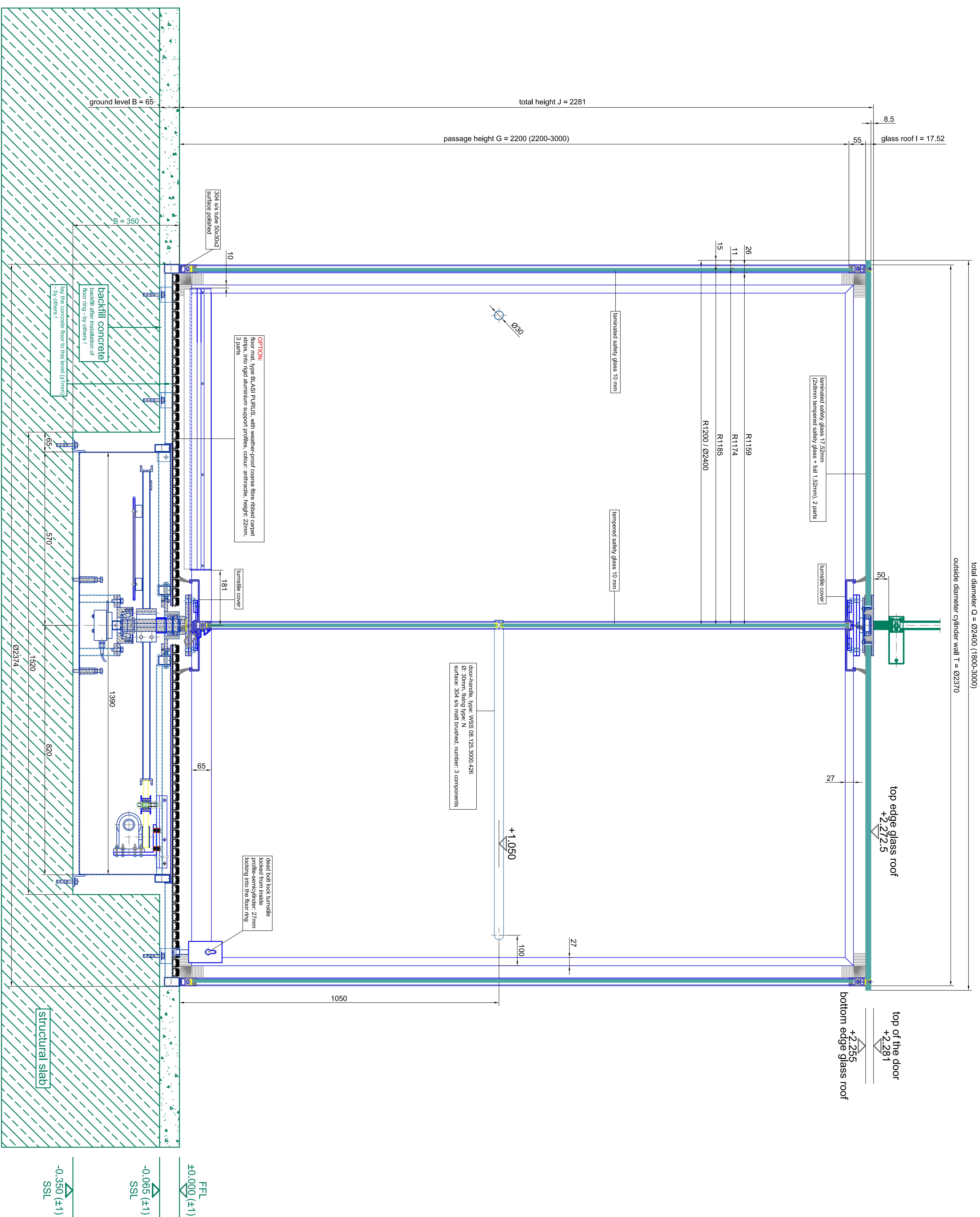


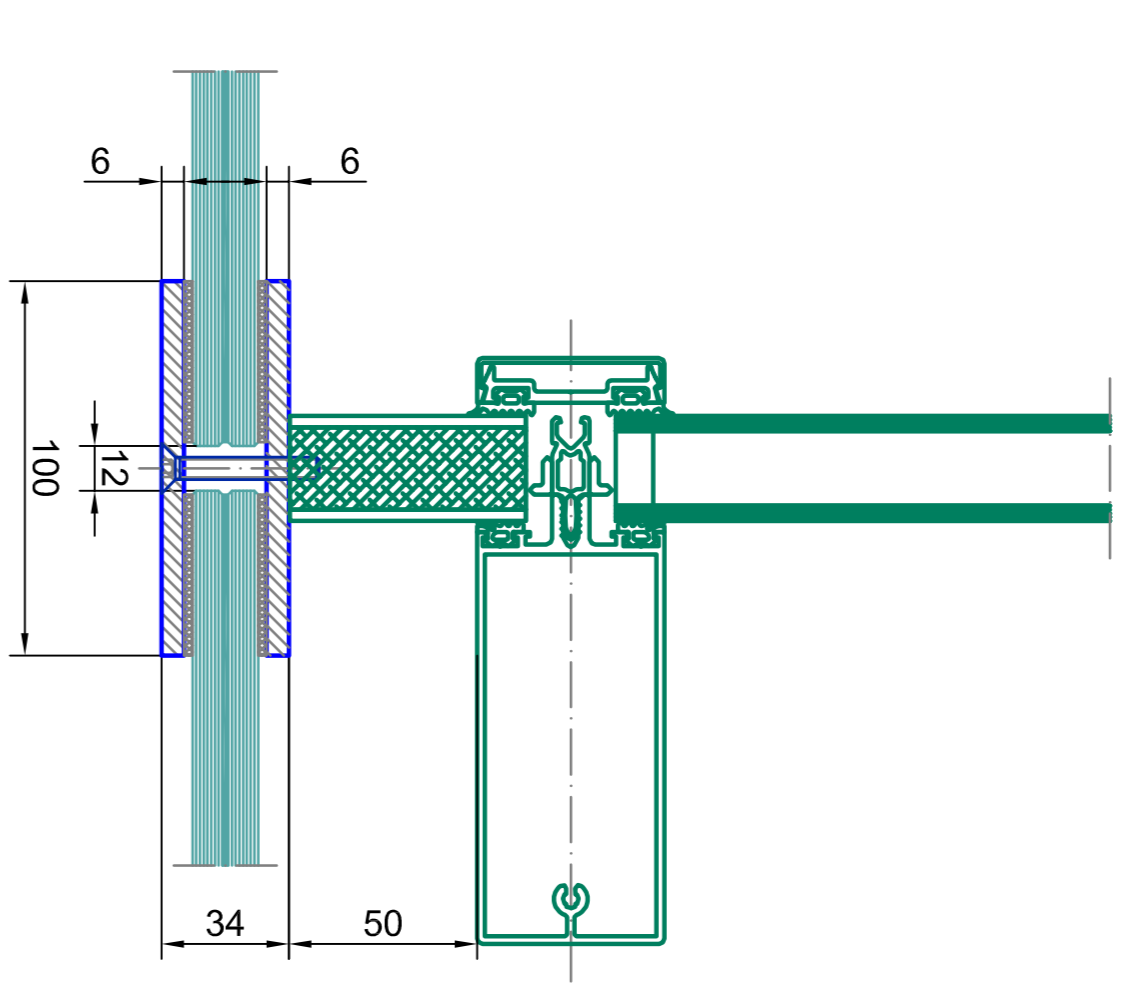
outside

vertical section A0 - M 1:5

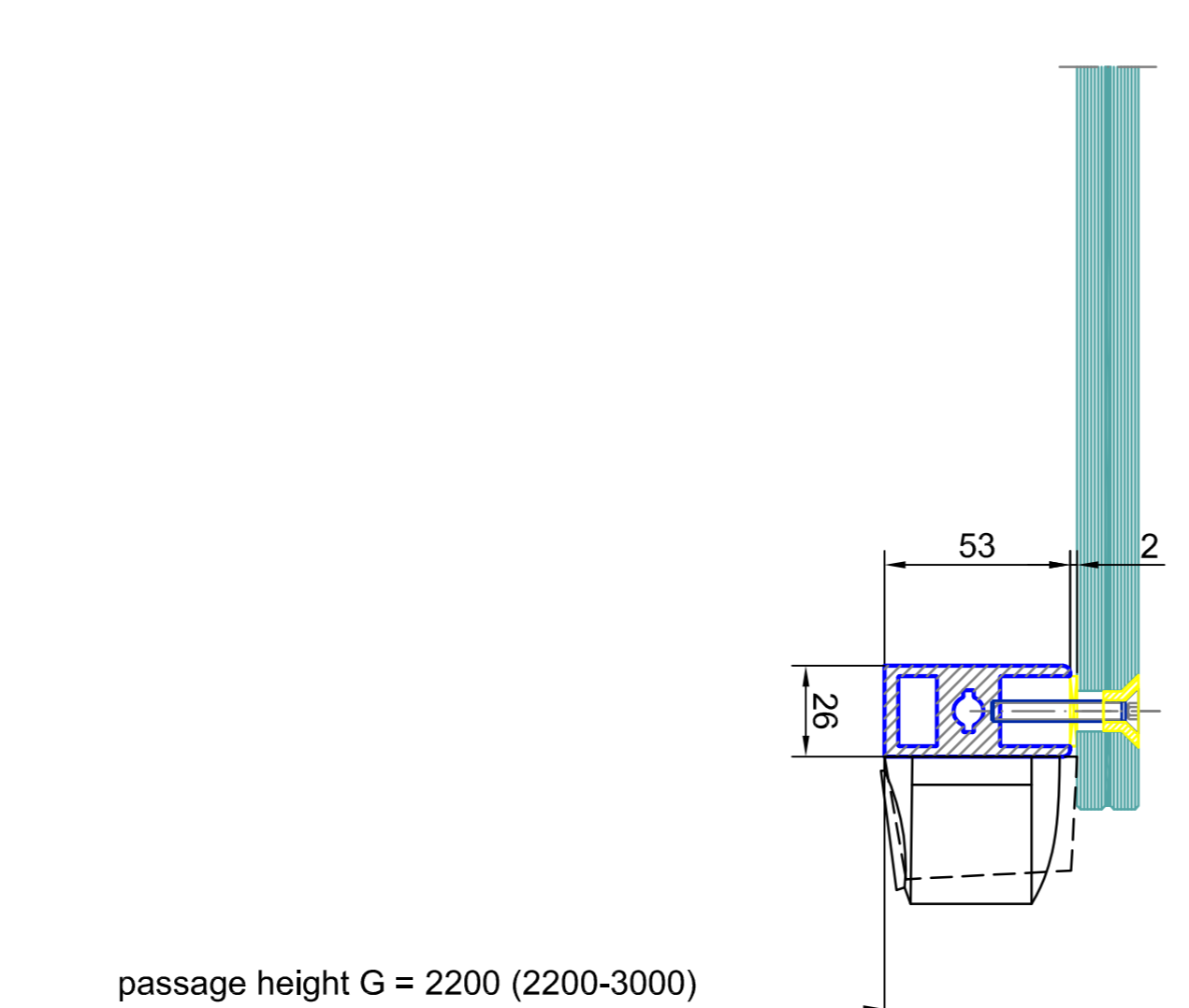


inside

vertical section - beside middle bearing A0 - M 1:2



vertical section - passage area A0 - M 1:2

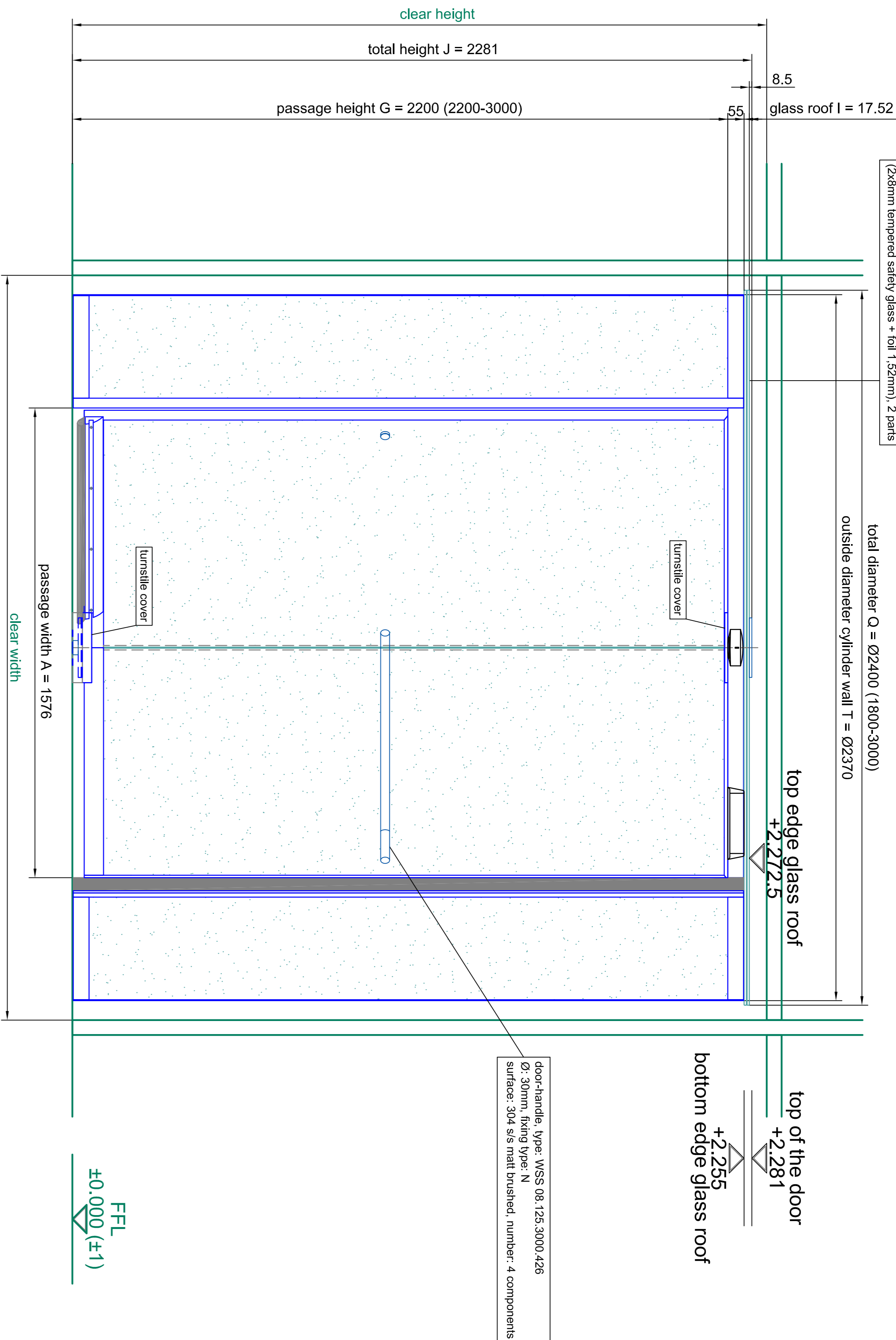


Scale:	A0 - M 1:5	Contract No.:	1000000000
Project:	K41-V/SU-24 VITO	Client:	SAI
Sheet:	SAMPLE DRAWING ONLY	Contractor:	SAI
Scale:	A0 - M 1:5	Contractor No.:	1000000000
Project:	K41-V/SU-24 VITO	Client:	SAI
Sheet:	SAMPLE DRAWING ONLY	Contractor:	SAI
Scale:	A0 - M 1:5	Contractor No.:	1000000000
Project:	K41-V/SU-24 VITO	Client:	SAI
Sheet:	SAMPLE DRAWING ONLY	Contractor:	SAI

BLASI
B L A S I G m b H
Automatic Doors
Cef. Oper. Sheet 5-15
0 - 1 1 7 1 2 - 340000

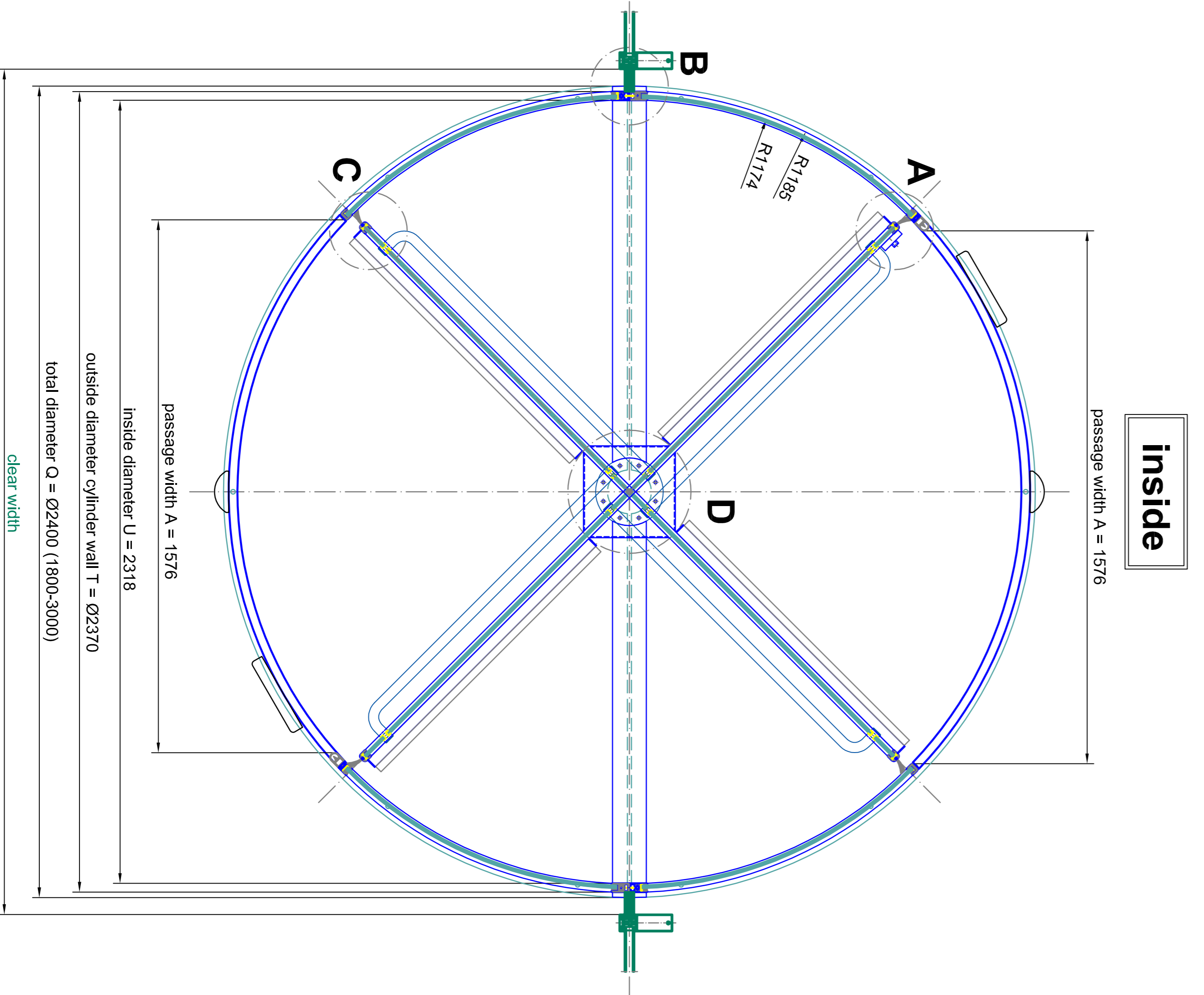
Tel. +49 822 / 863 - 291
Fax. +49 822 / 863 - 299
E-mail: info@blasi.de
www.blasi.de

tempered safety glass 17.52mm
(tempered safety glass - wall 1.52mm), 2 parts



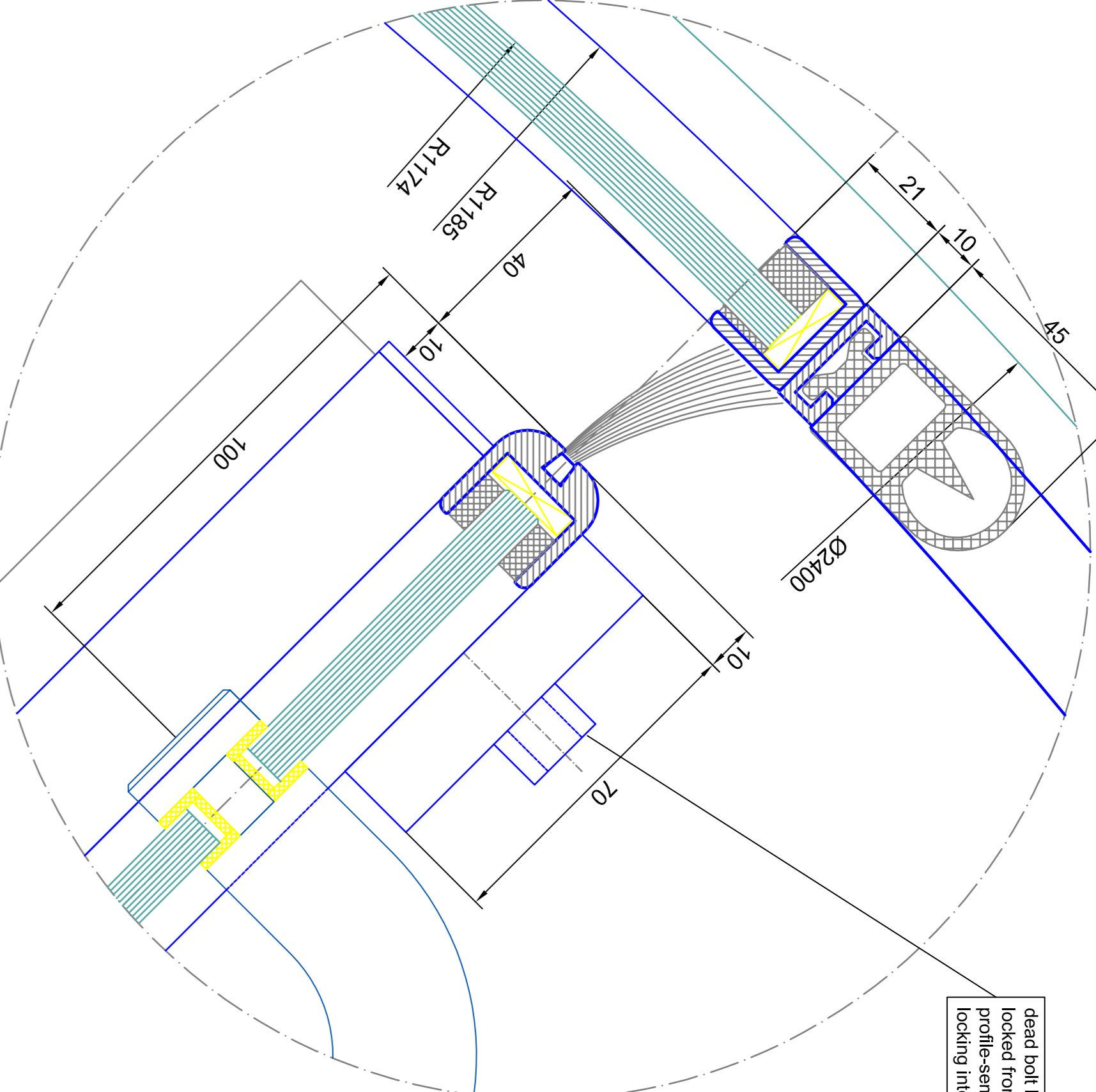
door-handle, type: WSS 08 125.3000.428
Ø 39mm, being type: N
surface: 304 ss matt brushed, number: 4 components

front elevation - outside



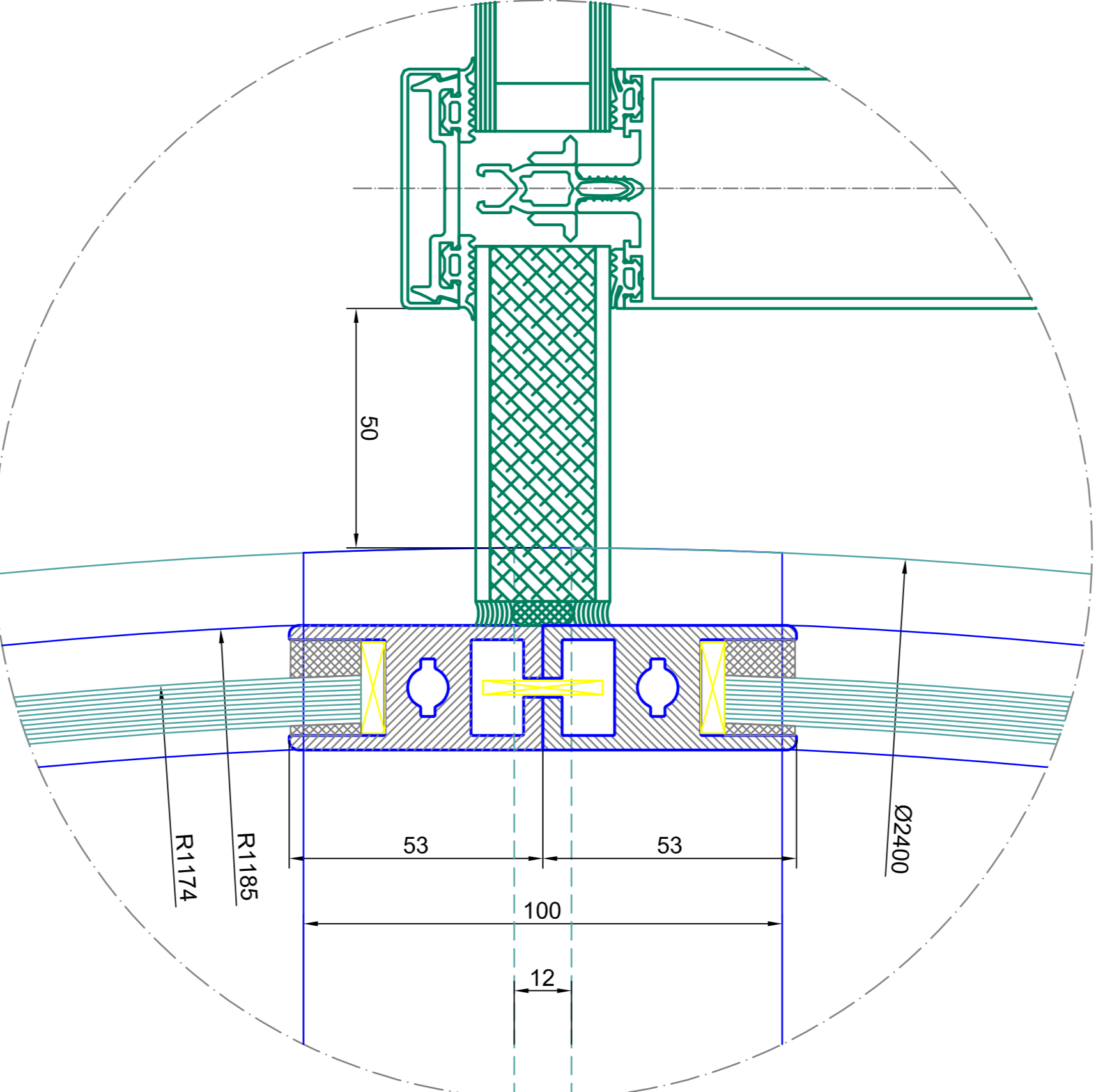
inside

outside
plan view

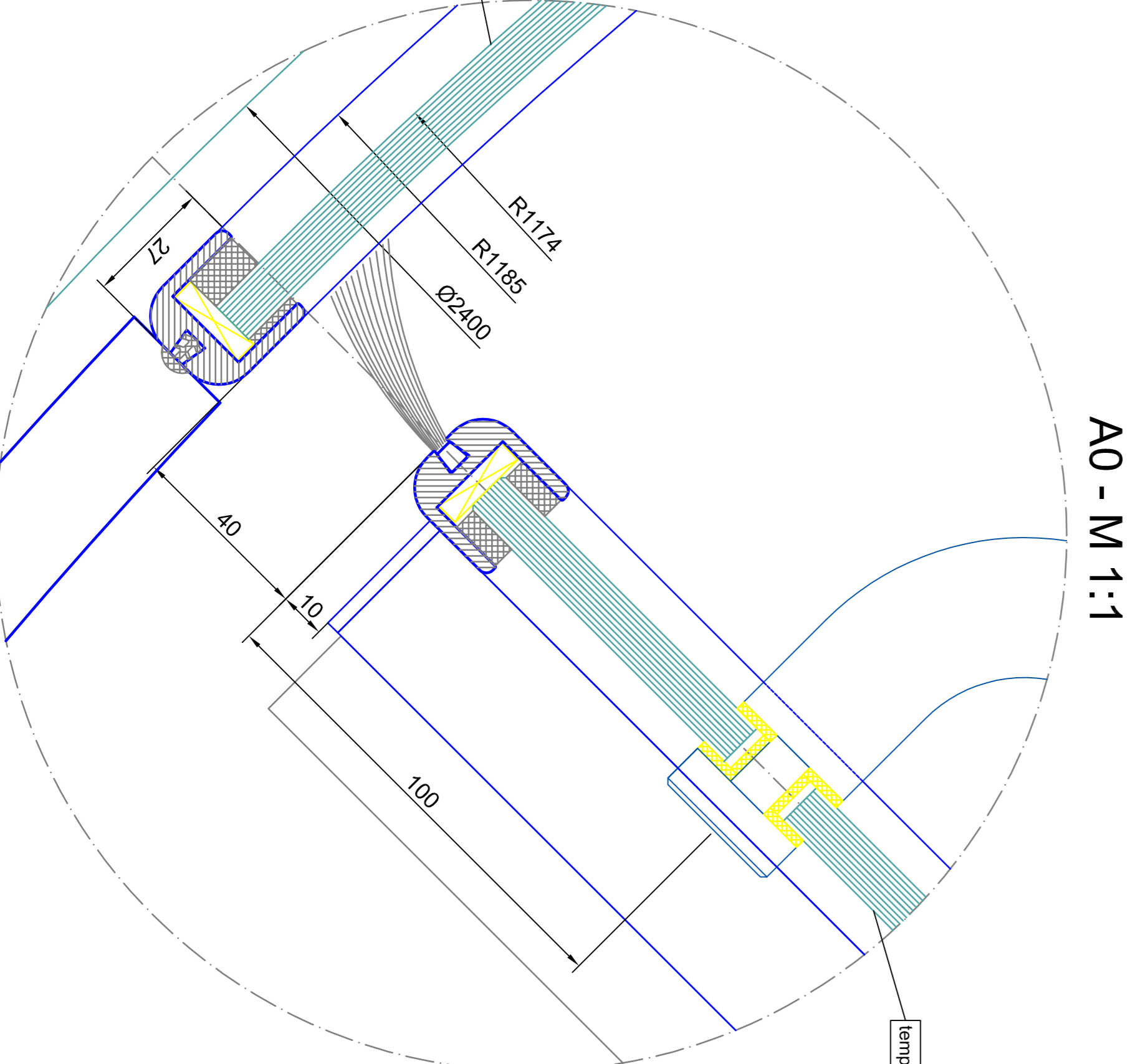


door-handle, type: WSS 08 125.3000.428
Ø 39mm, being type: N
surface: 304 ss matt brushed, number: 3 components

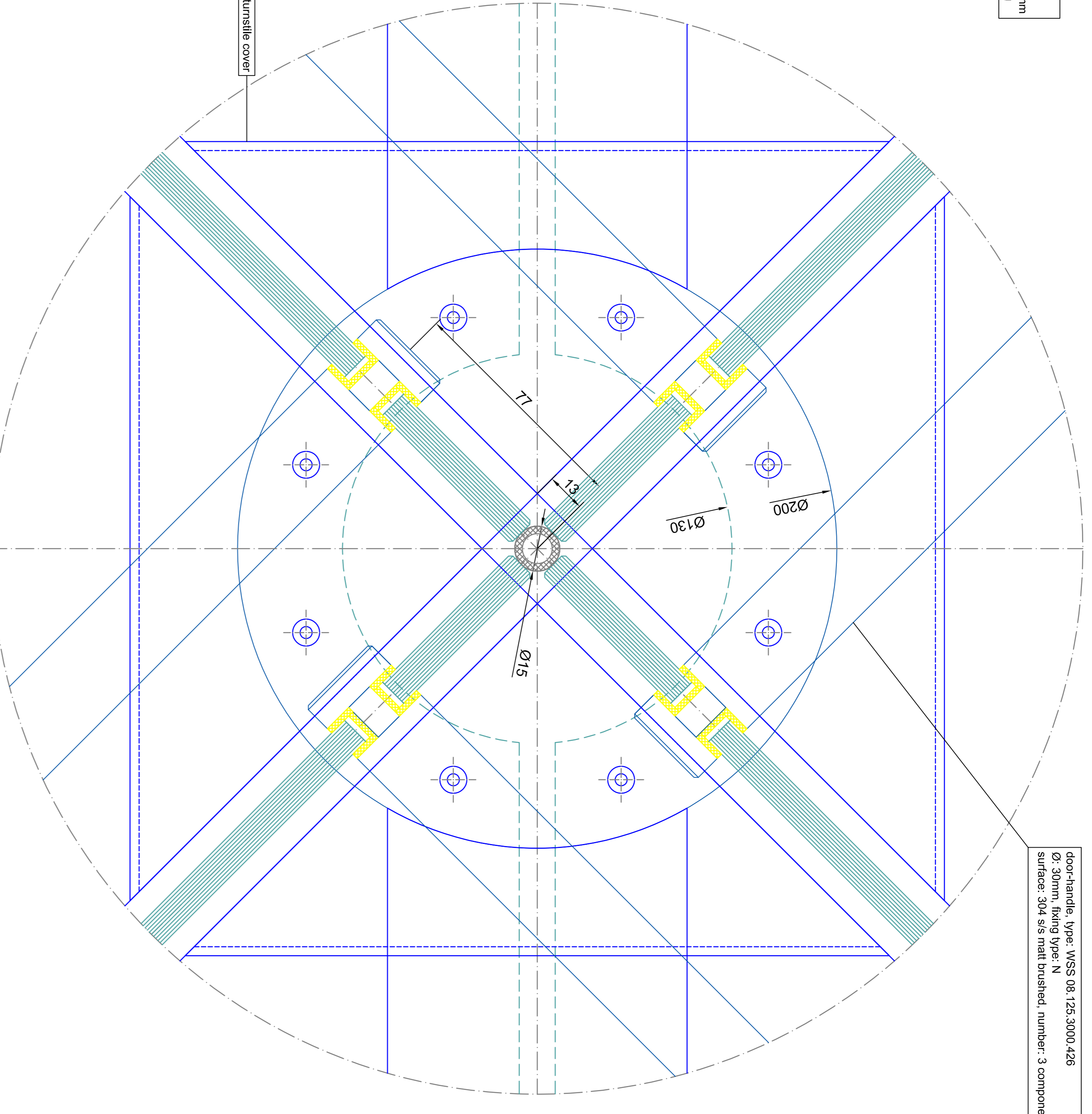
detail A
AO - M 1:1



detail B
AO - M 1:1

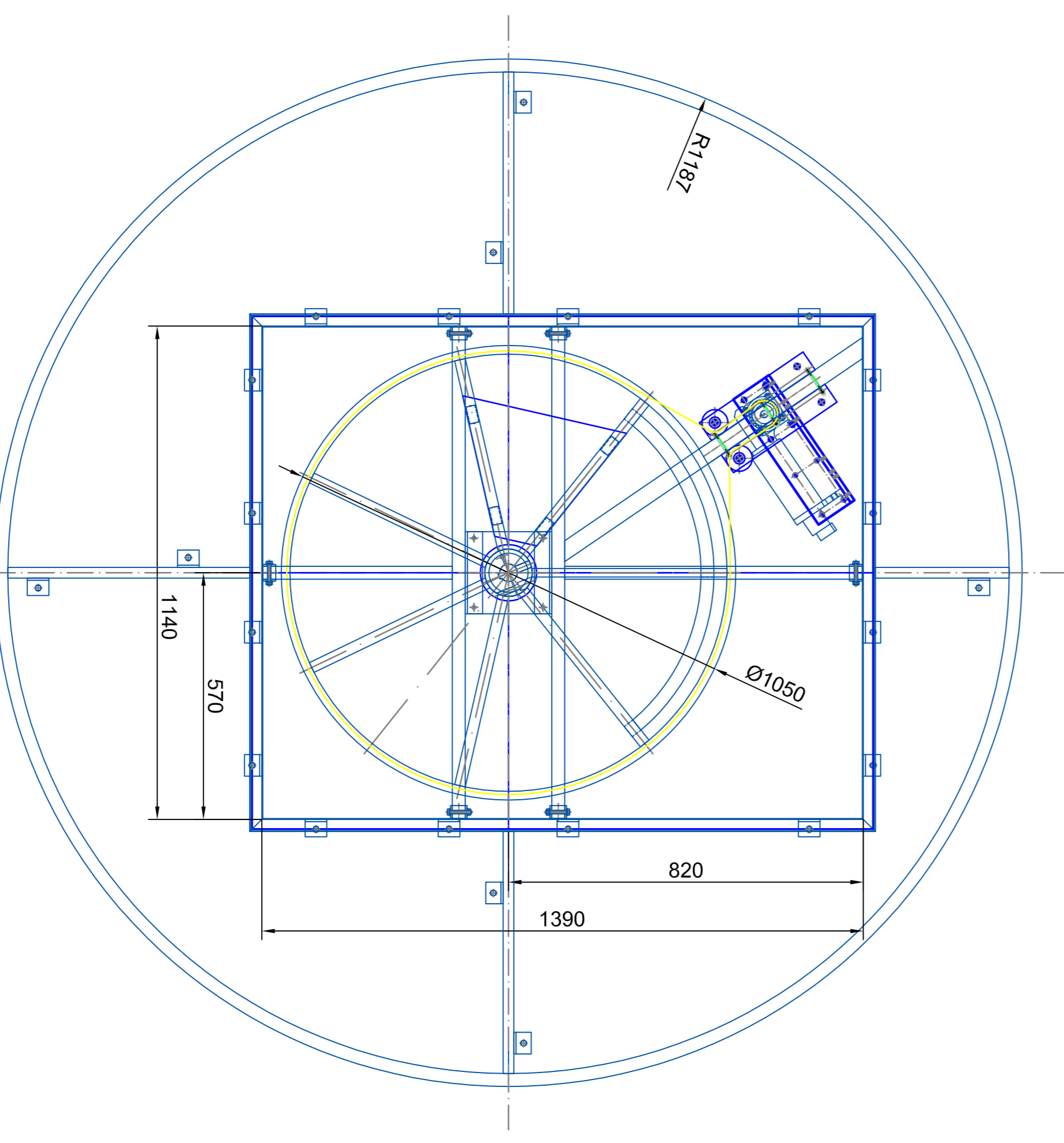


detail C
AO - M 1:1



door-handle, type: WSS 08 125.3000.428
Ø 39mm, being type: N
surface: 304 ss matt brushed, number: 3 components

detail D
AO - M 1:1



floor ring

Scale:	A0 = M 1:1
Type:	K41-V/SU-24 V110
Project:	SAMPLE DRAWING ONLY
Client:	BLASI
Manufacturer:	Automatic Doors
Product Name:	Automatic Doors
Material:	tempered safety glass 10 mm
Surface:	tempered safety glass 10 mm
Color:	
Quantity:	
Unit:	
Notes:	
Revision:	
Drawn by:	
Checked by:	
Date:	
Scale:	
Project:	
Client:	
Manufacturer:	
Product Name:	
Material:	
Surface:	
Color:	
Quantity:	
Unit:	
Notes:	
Revision:	
Drawn by:	
Checked by:	
Date:	

18 15 14 13 12 11 10 9 8 7 6 5 4 3 2 1

A B C D E F G H I J K L M