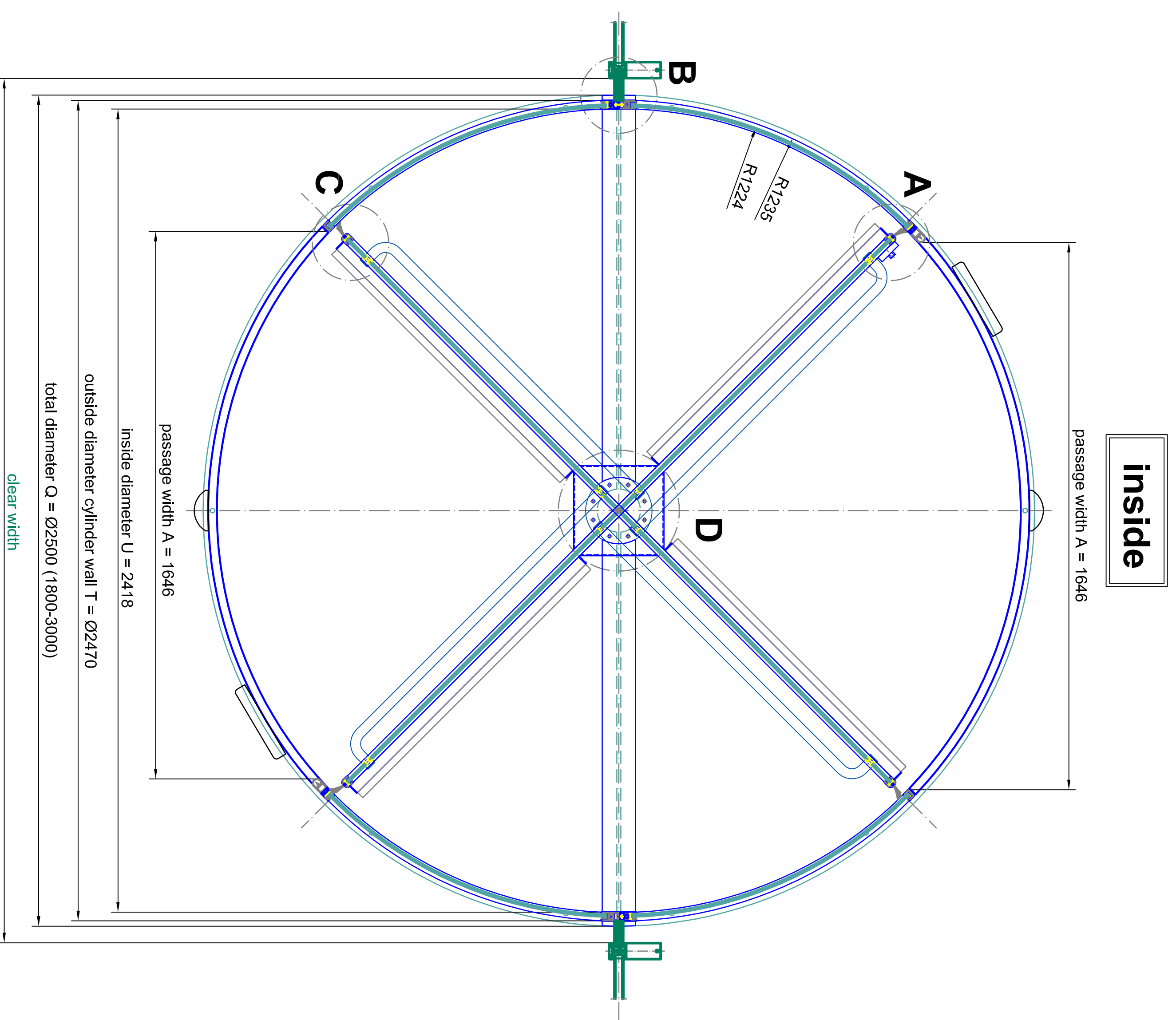
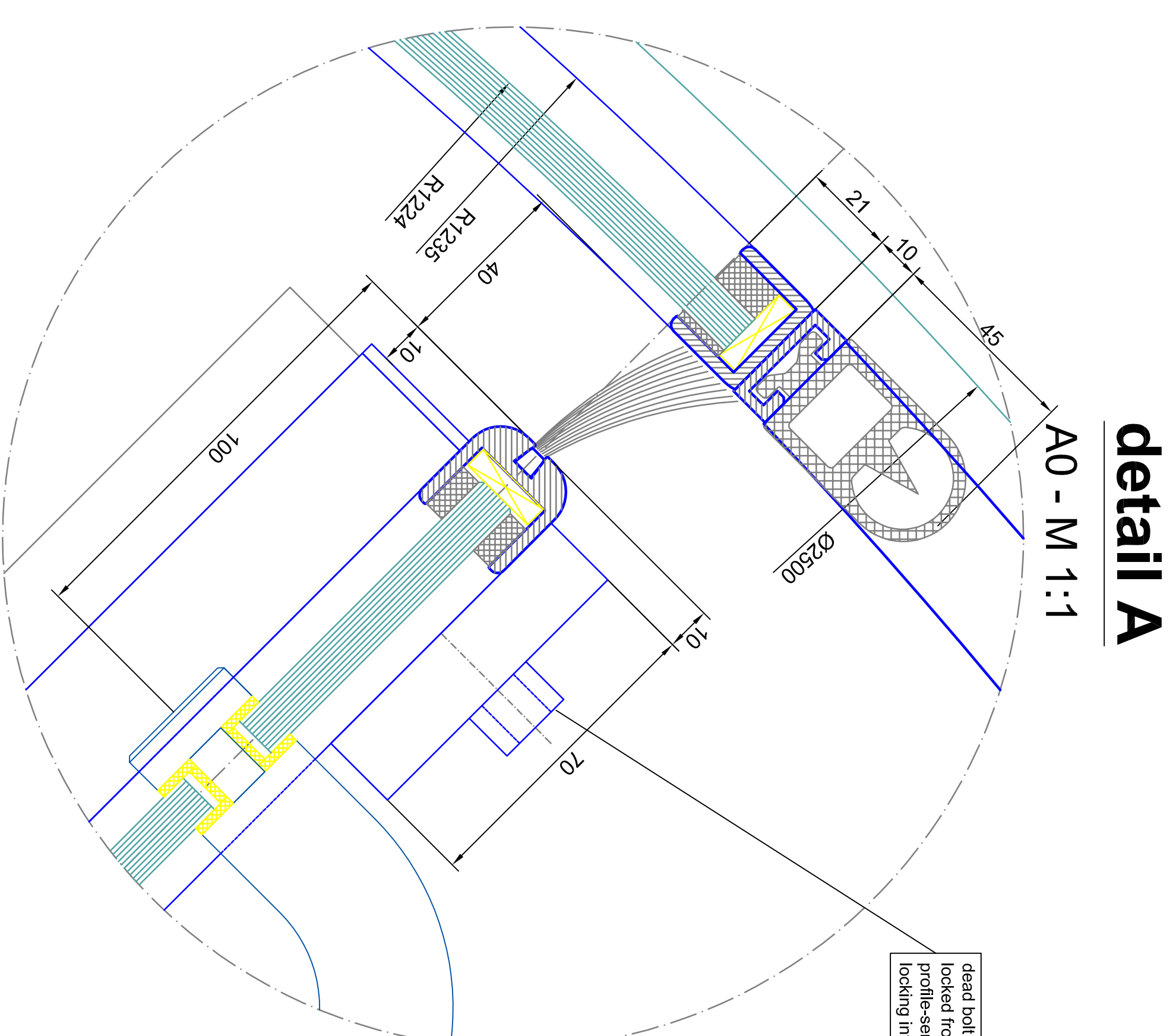


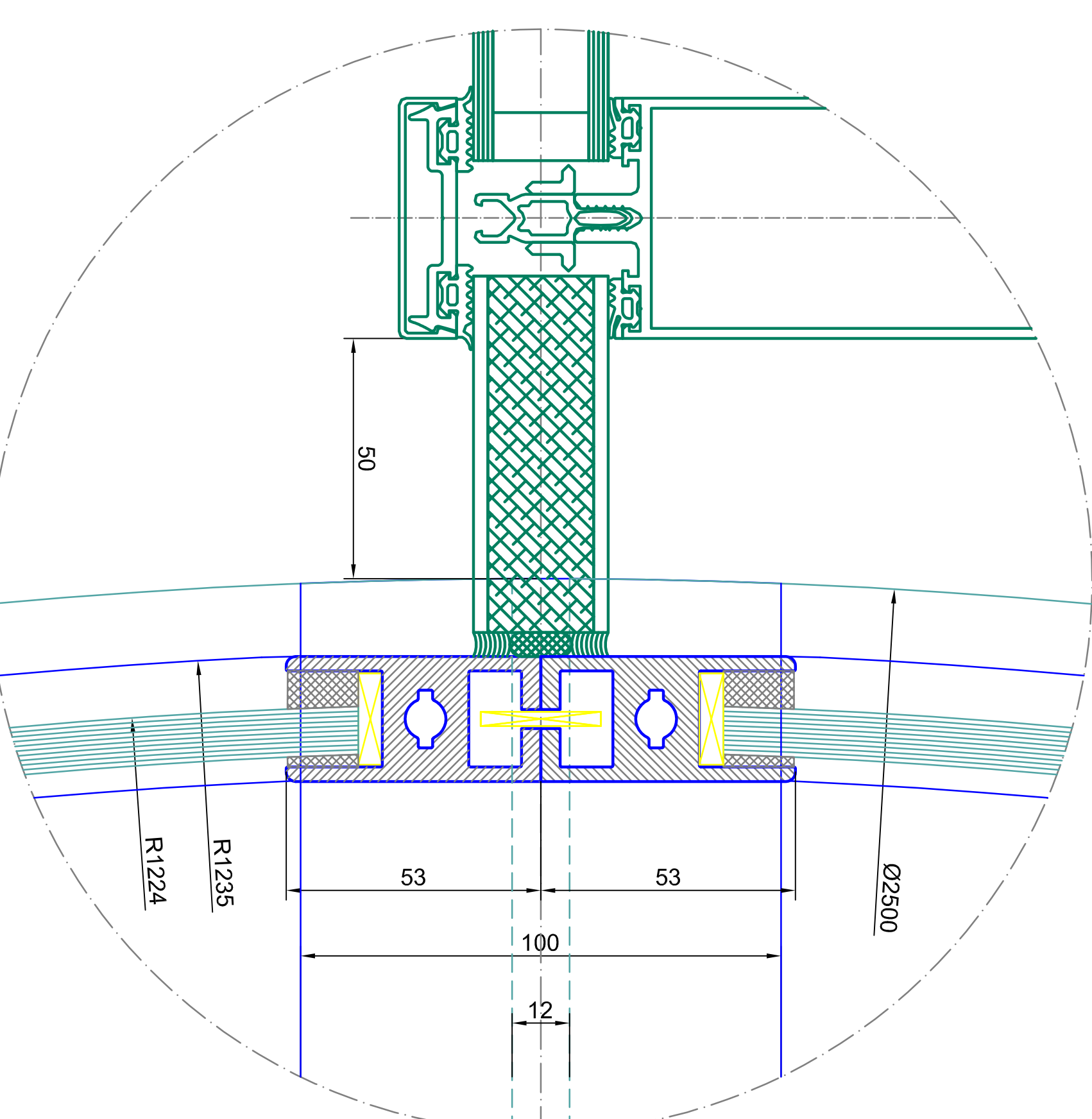
front elevation - outside



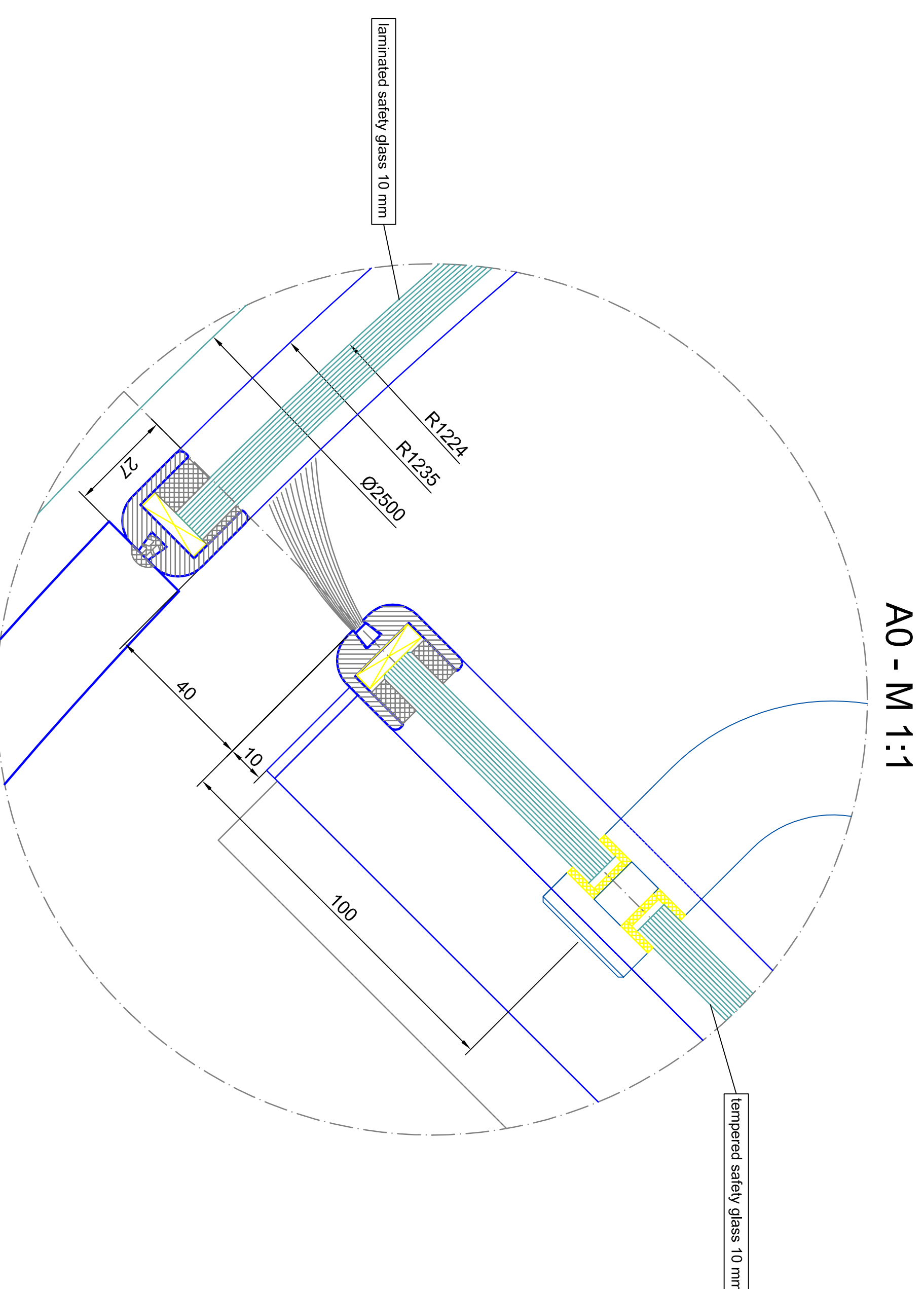
outside
plan view



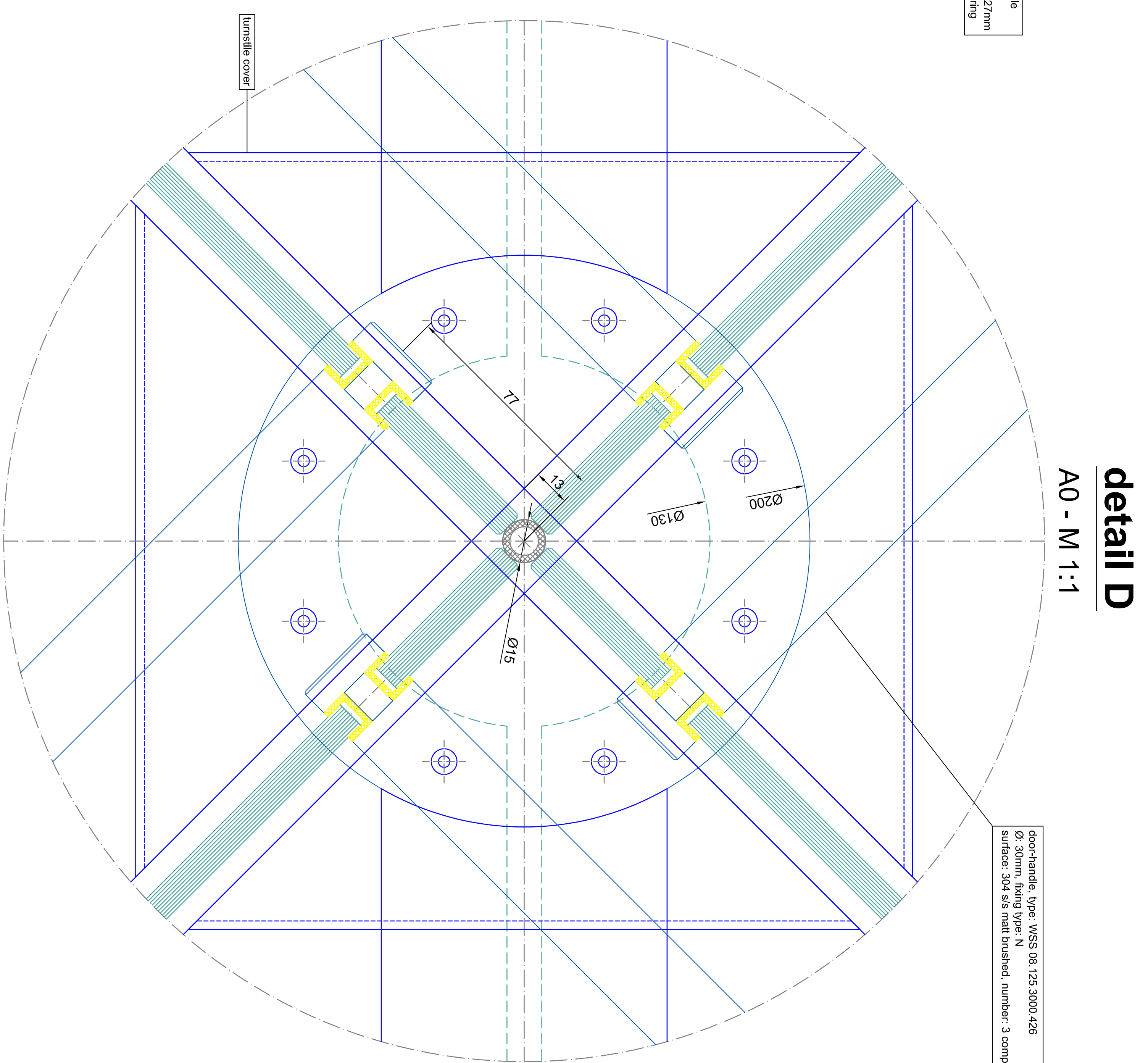
detail A
A0 - M 1:1



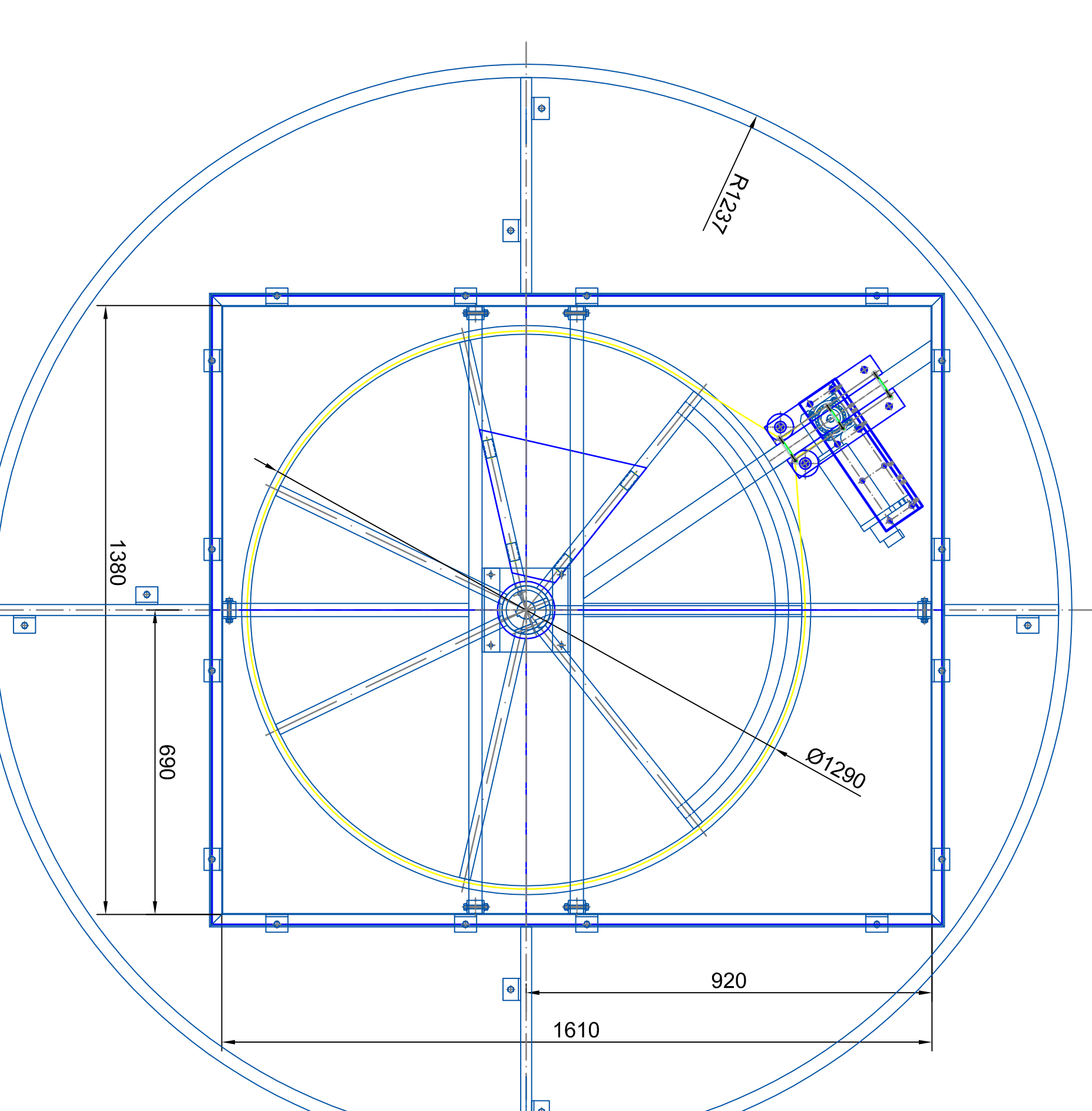
detail B
A0 - M 1:1



detail C
A0 - M 1:1



detail D
A0 - M 1:1



floor ring

BLASI B L A S I G m b H Automatic Doors Cef. Strada 5-15 0-11912 - Milano Tel. +3902 / 863.281 Fax. +3902 / 863.286 E-mail: info@blasi.it WWW: Blasi - .it/it		Type: K41-V/SU-25 VINO SAMPLE DRAWING ONLY Scale: A0 = M 1:10 Configuration No.:	
Sheet: 364.48 Title: tempered safety glass 10 mm Date:	Scale: A0 = M 1:10 Title: tempered safety glass 10 mm Date:	Sheet: 364.48 Title: tempered safety glass 10 mm Date:	Scale: A0 = M 1:10 Title: tempered safety glass 10 mm Date: