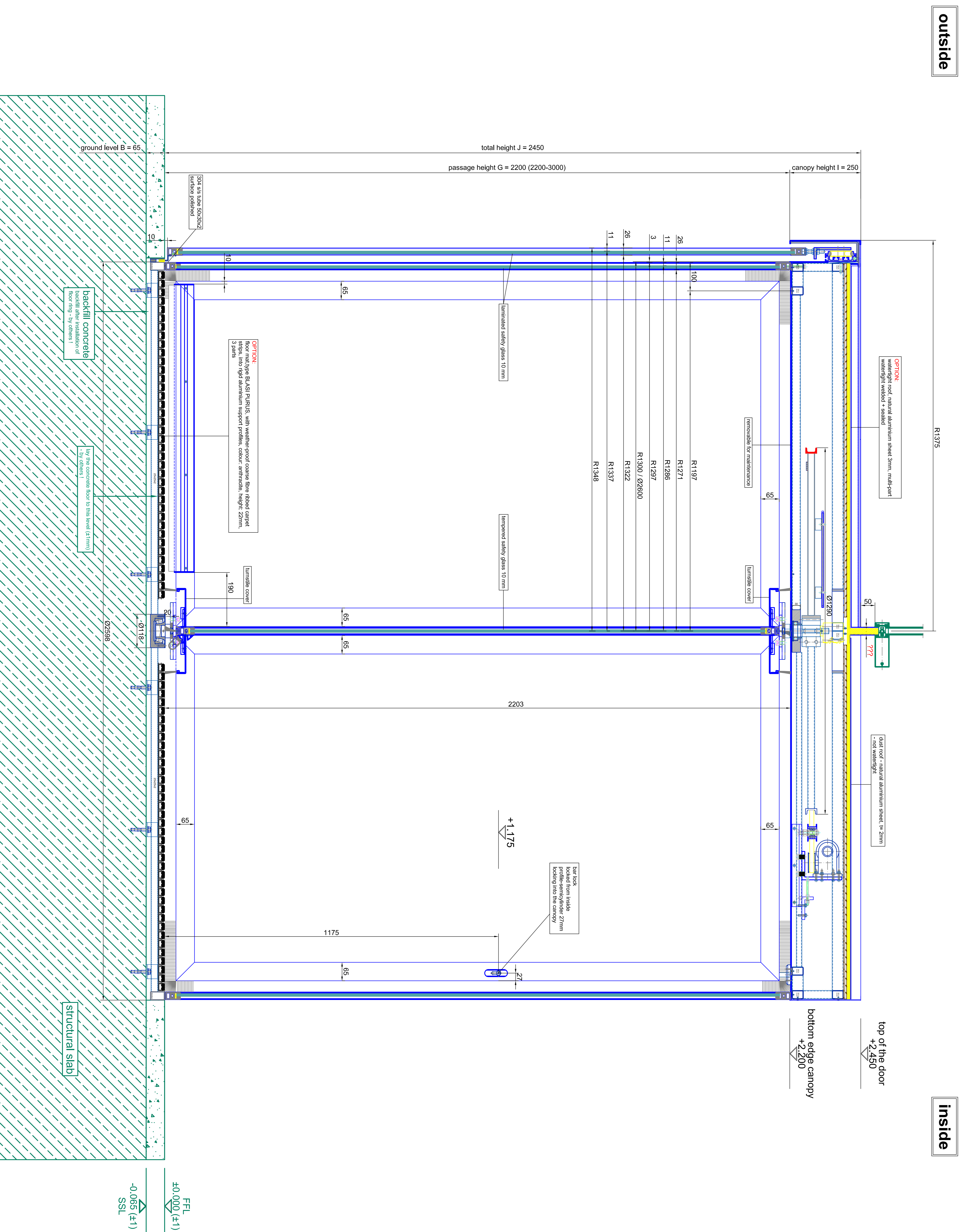
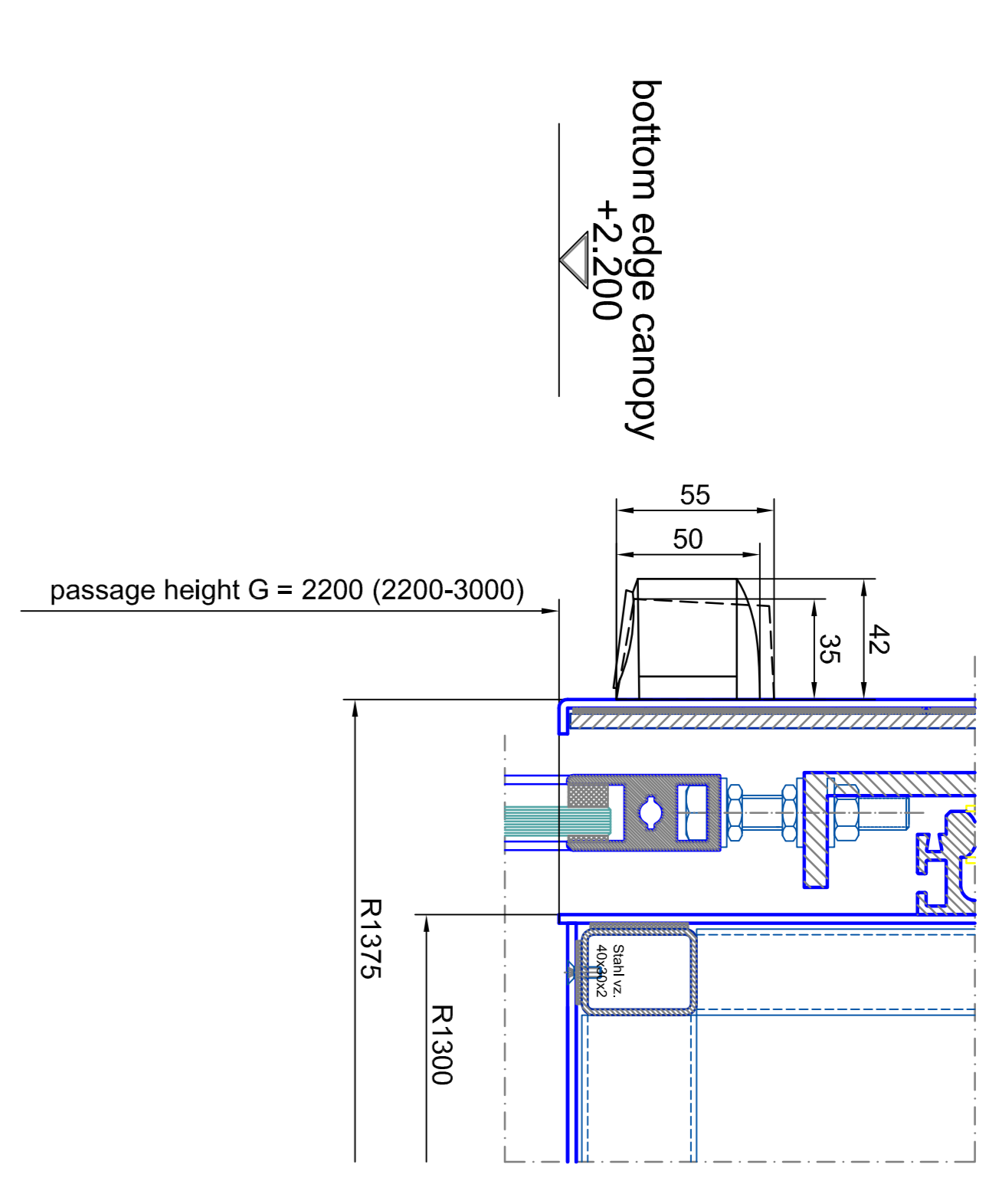


vertical section



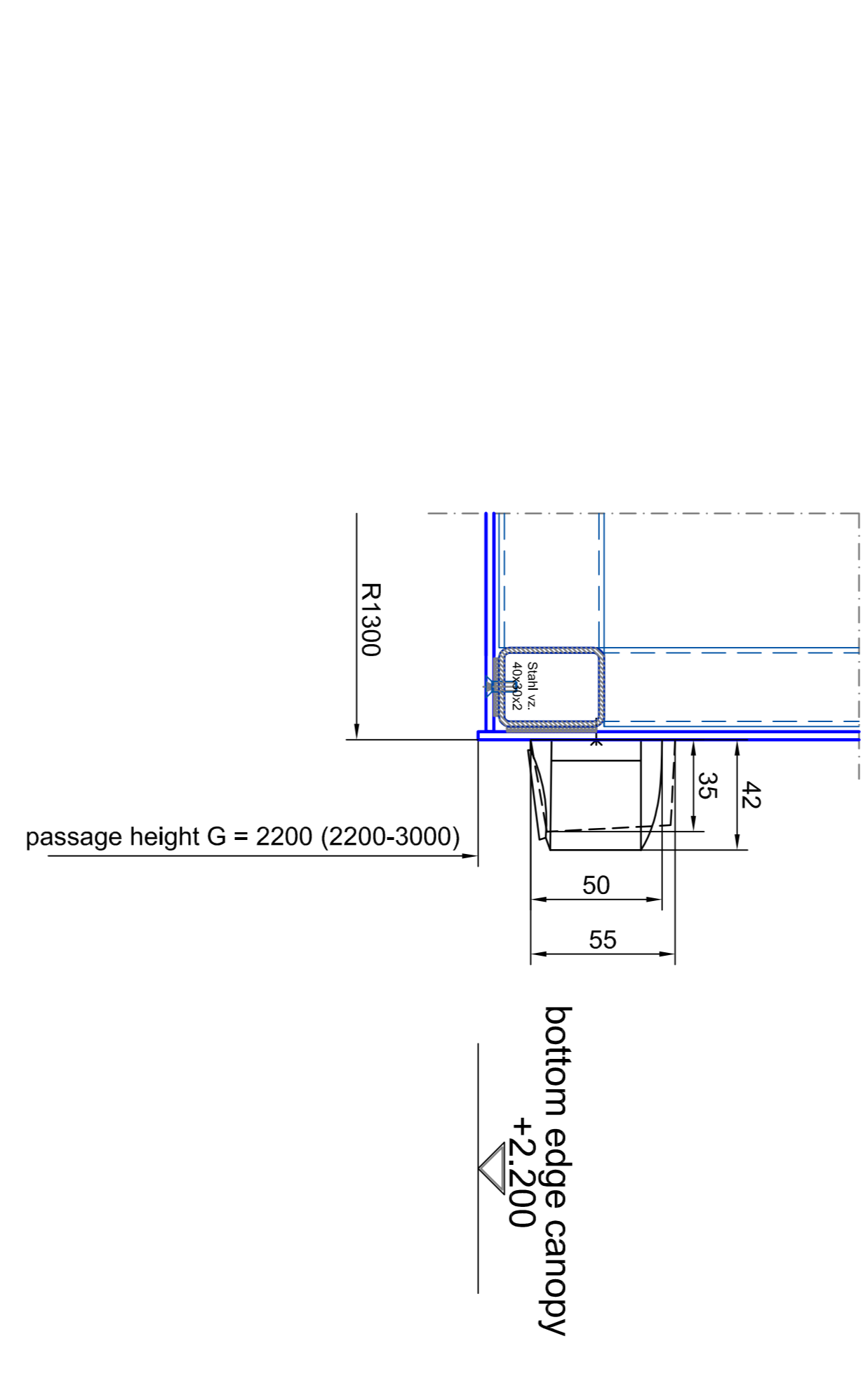
vertical section - passage area outside

A0 - M 1:2



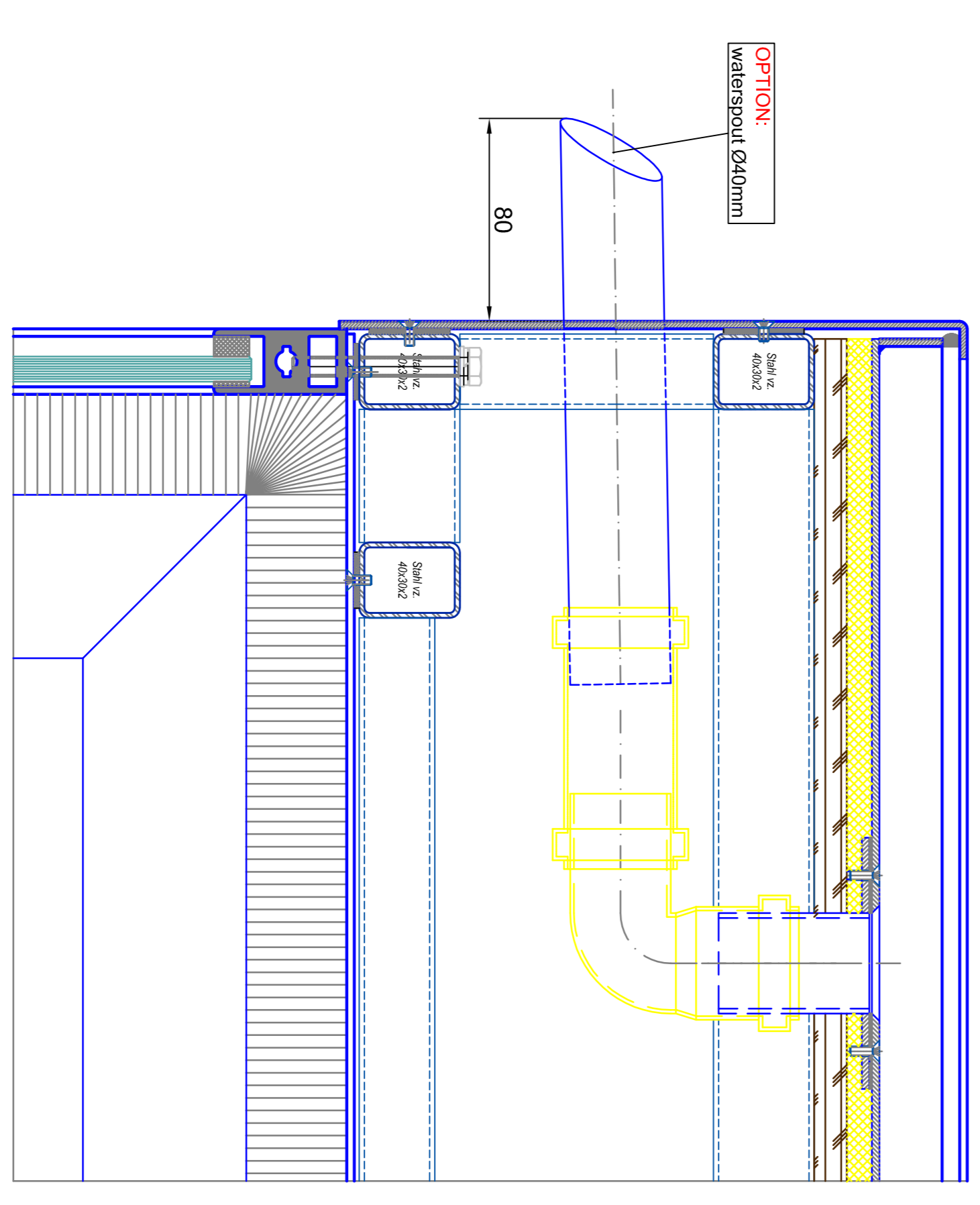
vertical section - passage area inside

A0 - M 1:2

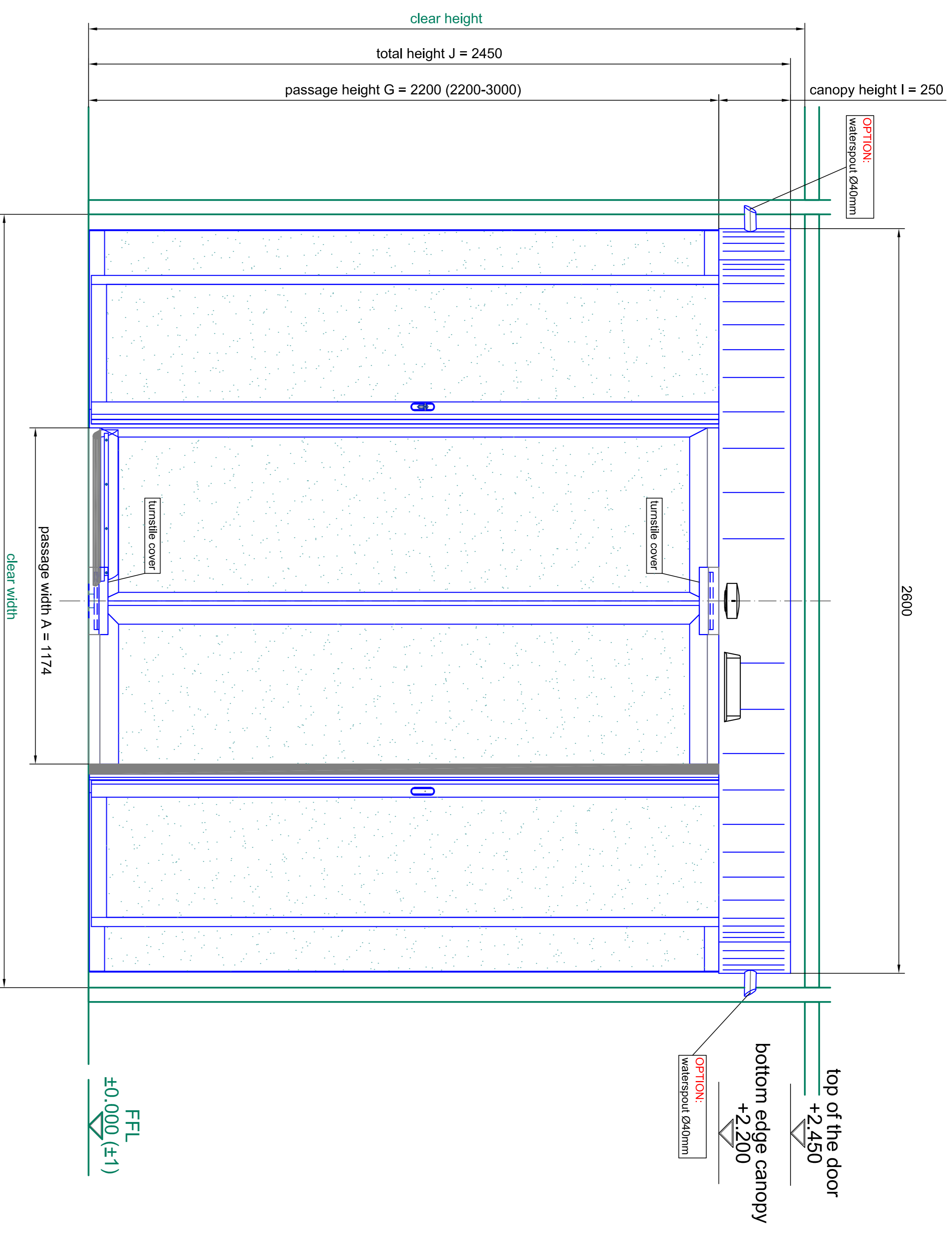


vertical section - waterspout

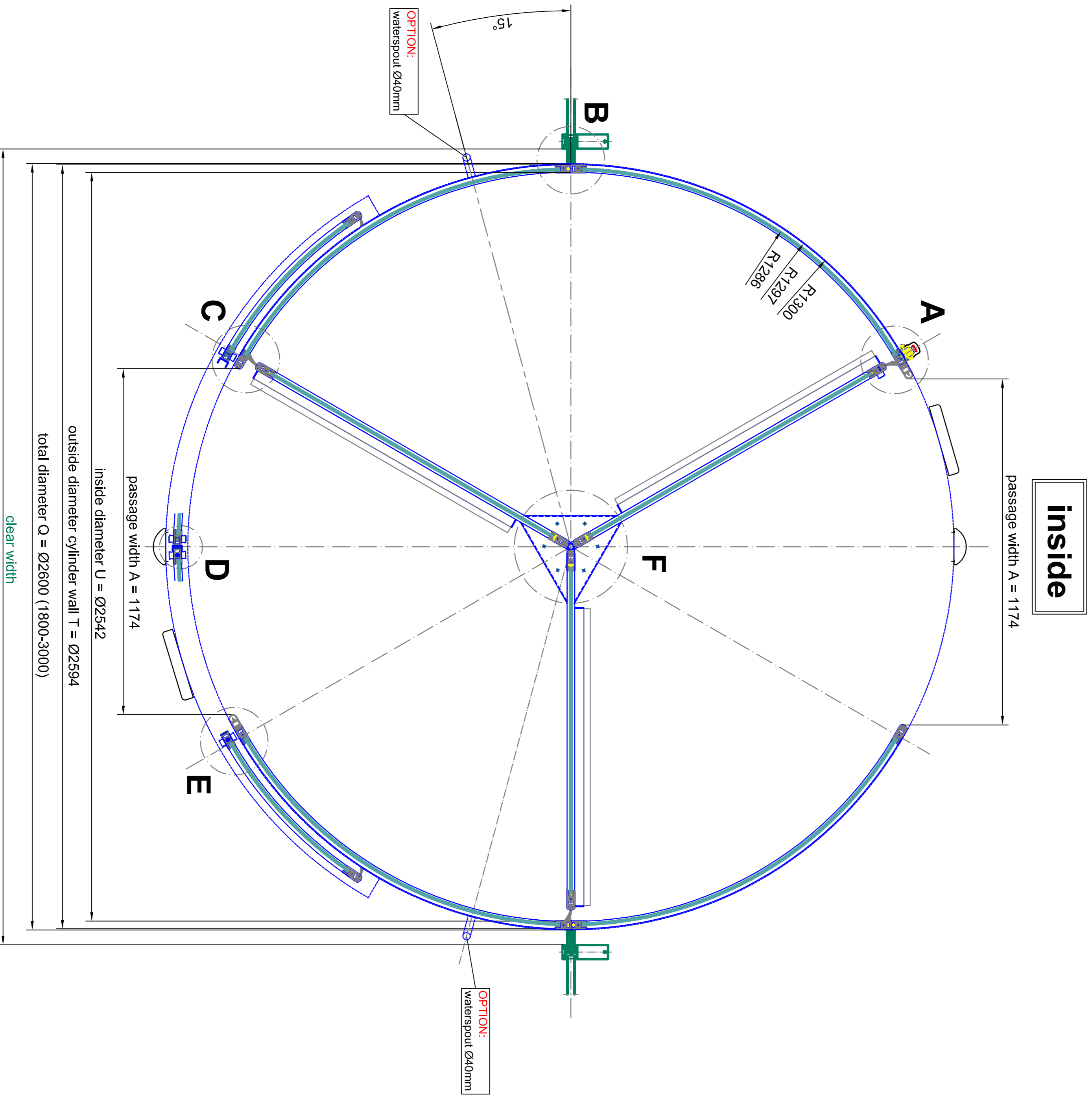
A0 - M 1:2



BLASI B.L.A.S.I. G. m.b.H. Automatic Doors Cell: +39 02 57 11 71 2 Fax: +39 02 57 11 71 3 Email: info@blasi.it WWW: www.blasi.it		Tel: +49 8922 / 883 - 291 Fax: +49 8922 / 883 - 299 Email: info@blasi.de WWW: www.blasi.de		K31-V/MMA-26 SAMPLE DRAWING ONLY	
Scale: 1:50 Drawing No: 304.48 Date: 10/2011		Scale: 1:50 Drawing No: 304.48 Date: 10/2011		Scale: 1:50 Drawing No: 304.48 Date: 10/2011	
Material: Tempered safety glass 10 mm Profile: R1300		Material: Tempered safety glass 10 mm Profile: R1300		Material: Tempered safety glass 10 mm Profile: R1300	

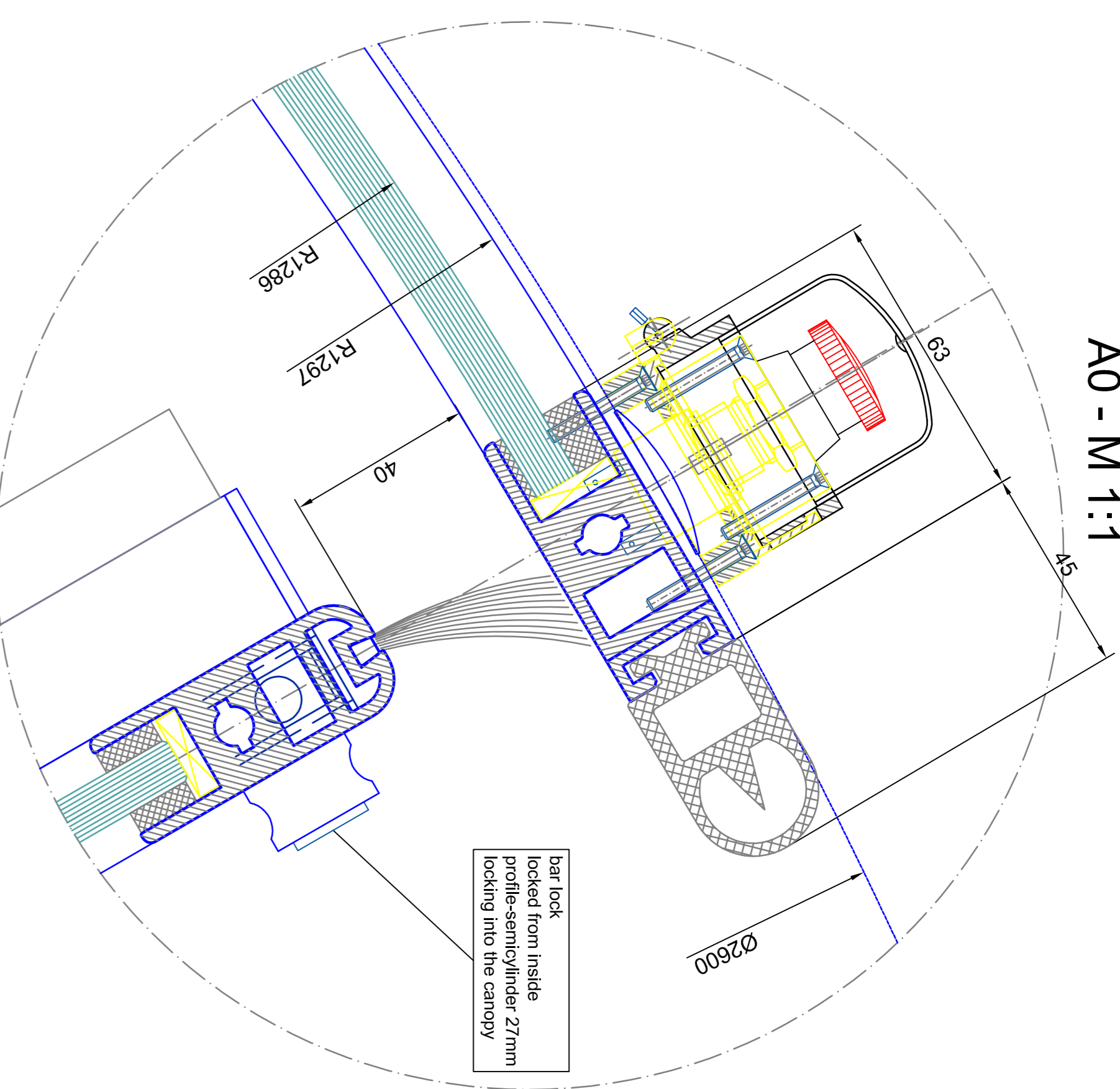


front elevation - outside

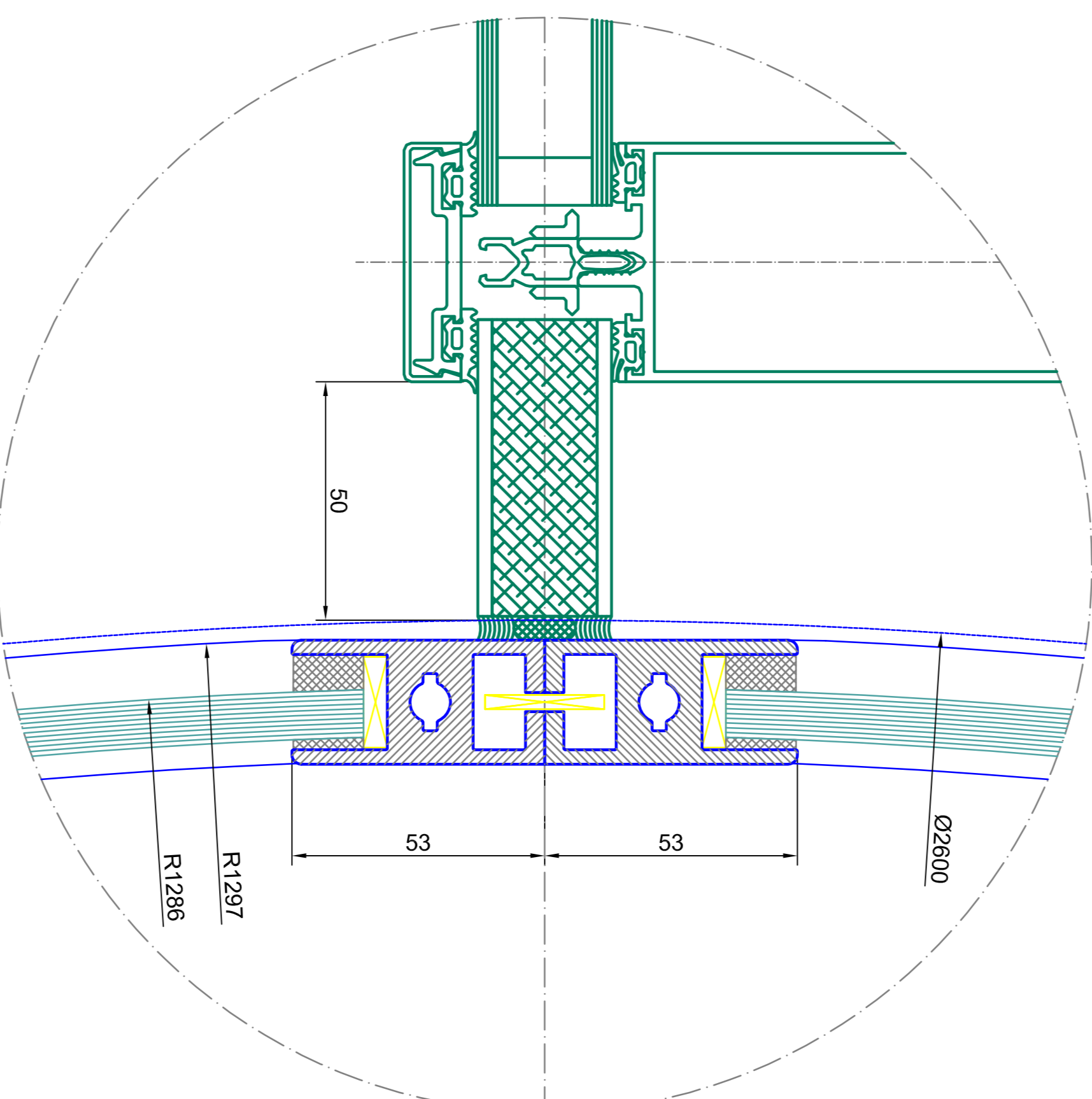


plan view

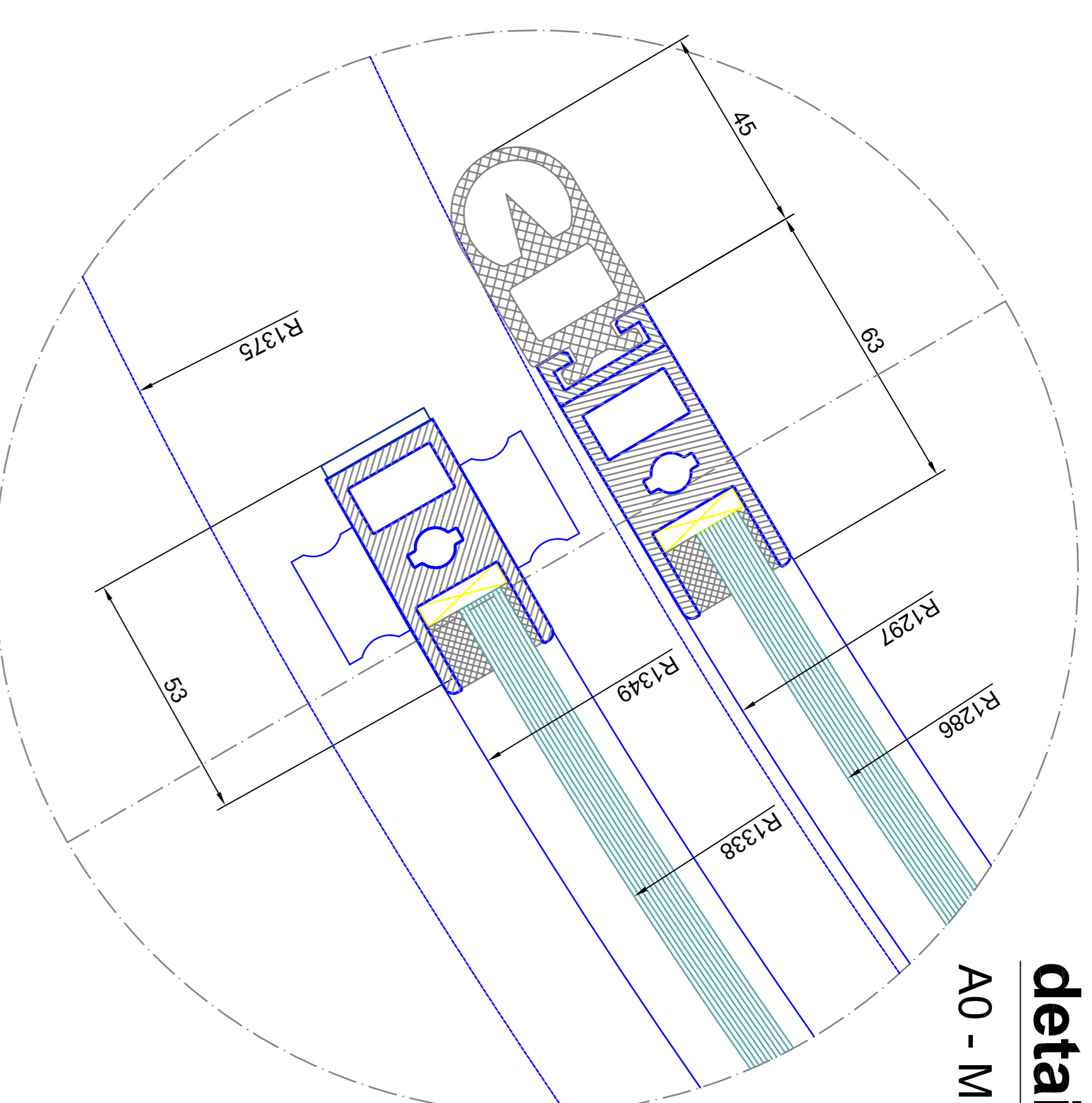
outside



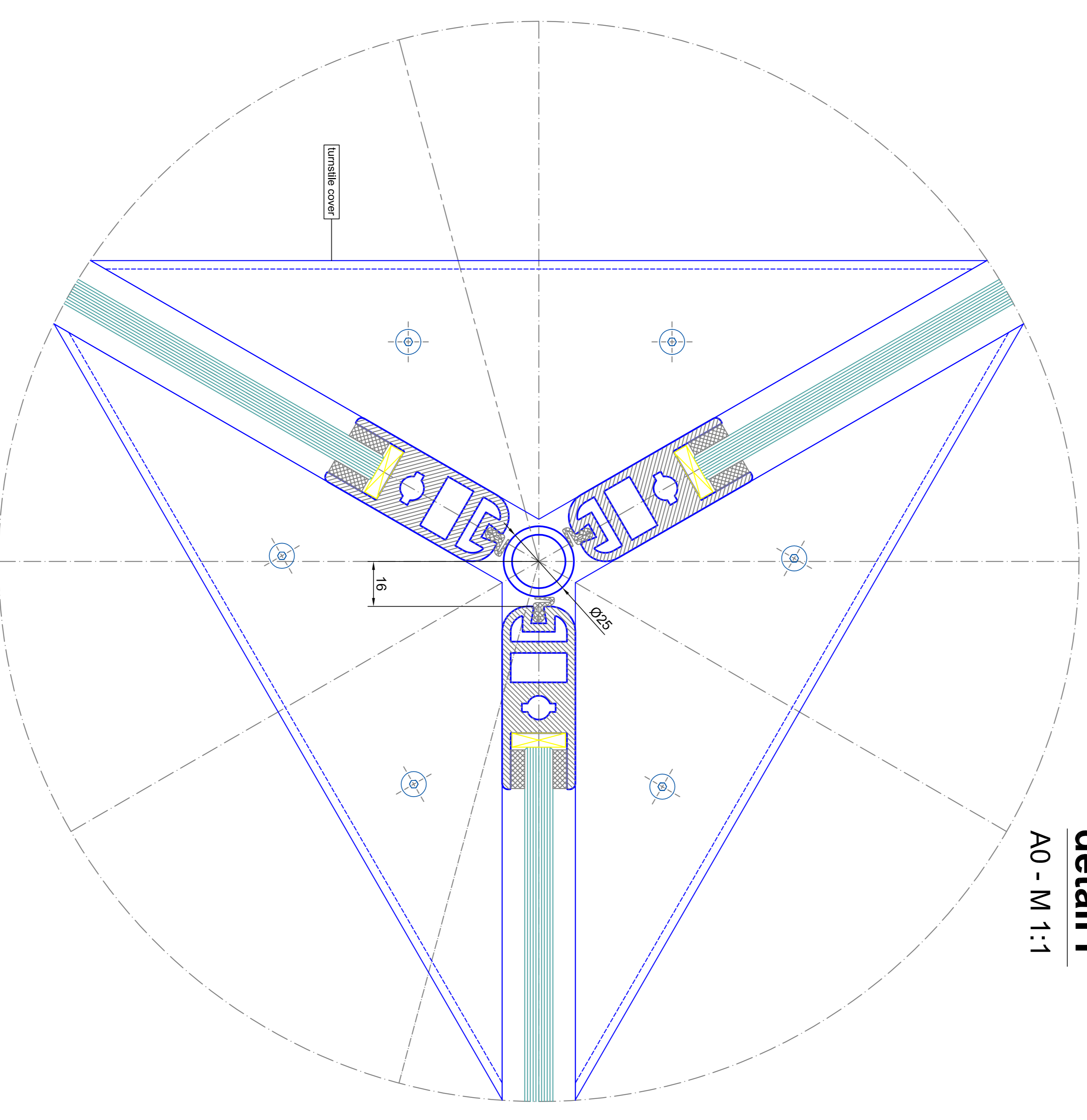
detail A
A0 - M 1:1



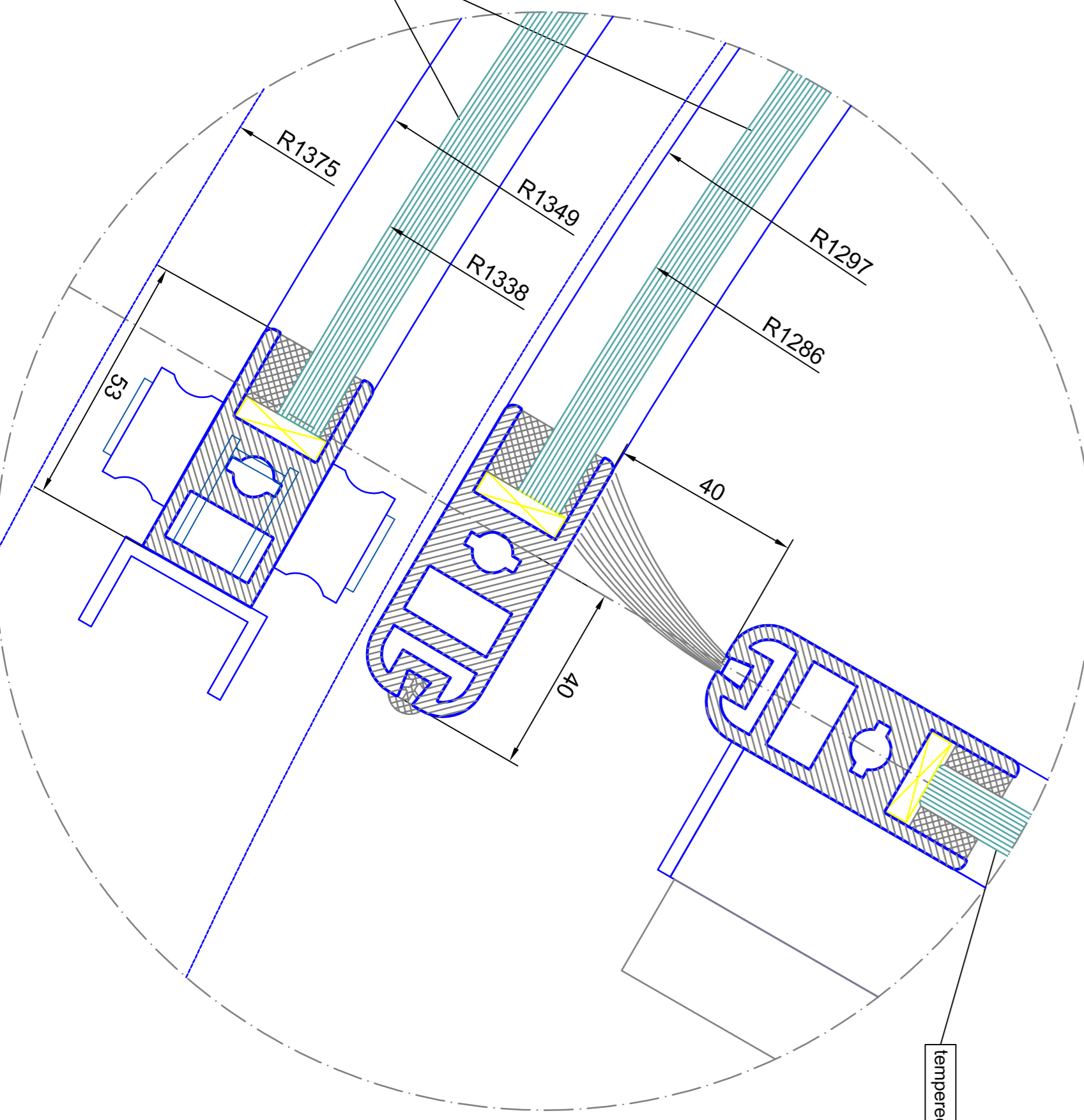
detail B
A0 - M 1:1



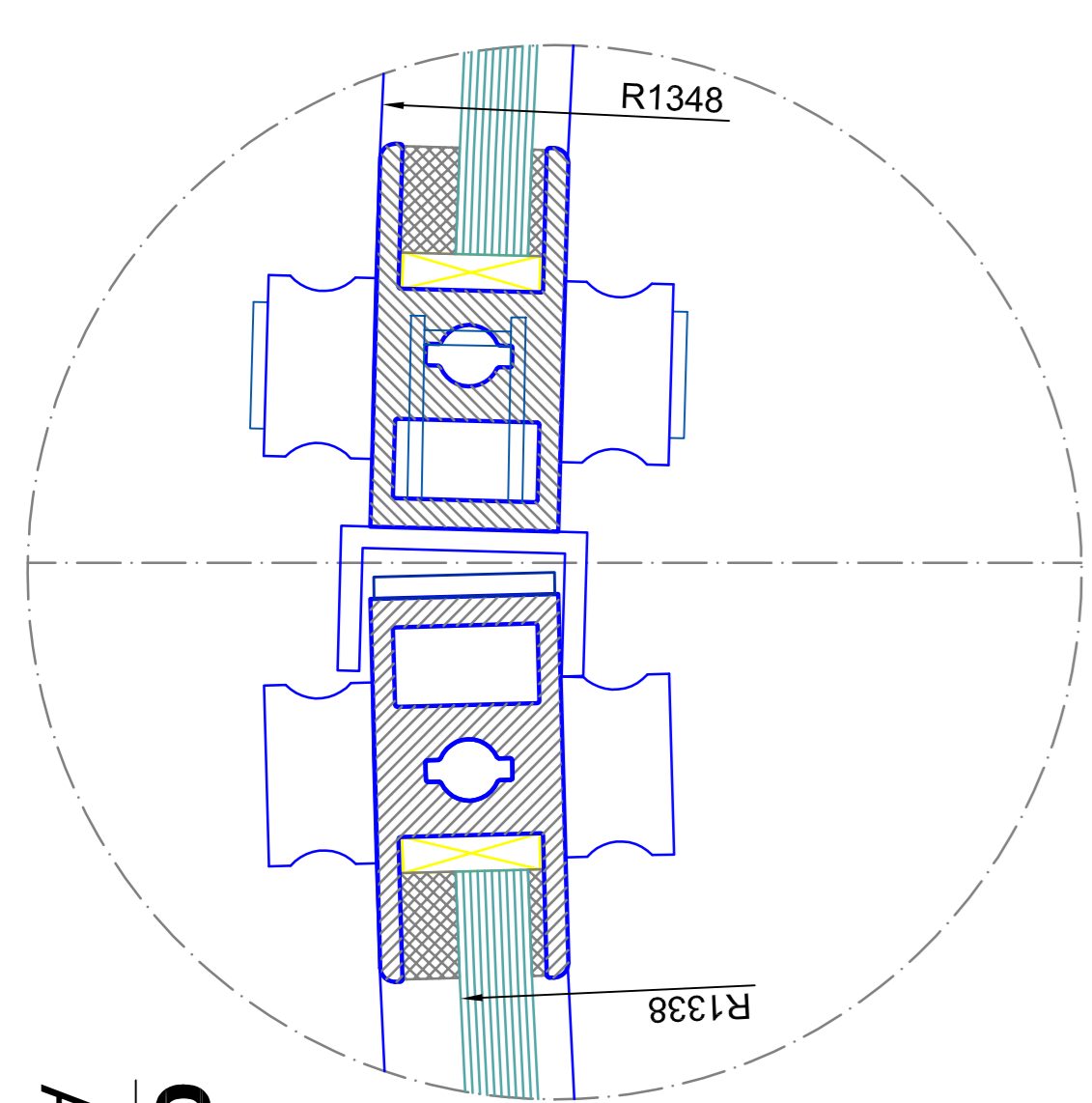
detail E
A0 - M 1:1



detail F
A0 - M 1:1



detail C
A0 - M 1:1



detail D
A0 - M 1:1

<p>BLASI</p> <p>8 L A S I G m b H Automatic Doors Cell steel Street 5, 15 D - 71717 Stuttgart</p> <p>Tel. +49(0)7142 / 881 - 291 Fax. +49(0)7142 / 881 - 299 E-mail: info@blasig.de www.blasig.de</p>		<p>Material: Tempered safety glass 10 mm 36x48</p> <p>Accessories: Laminated safety glass 10 mm</p>	
<p>Scale: A0 = M 1:10</p>		<p>Project: K31-V/MA-26</p>	
<p>Sheet: 02</p>		<p>Sheet: 02</p>	

SAMPLE DRAWING ONLY