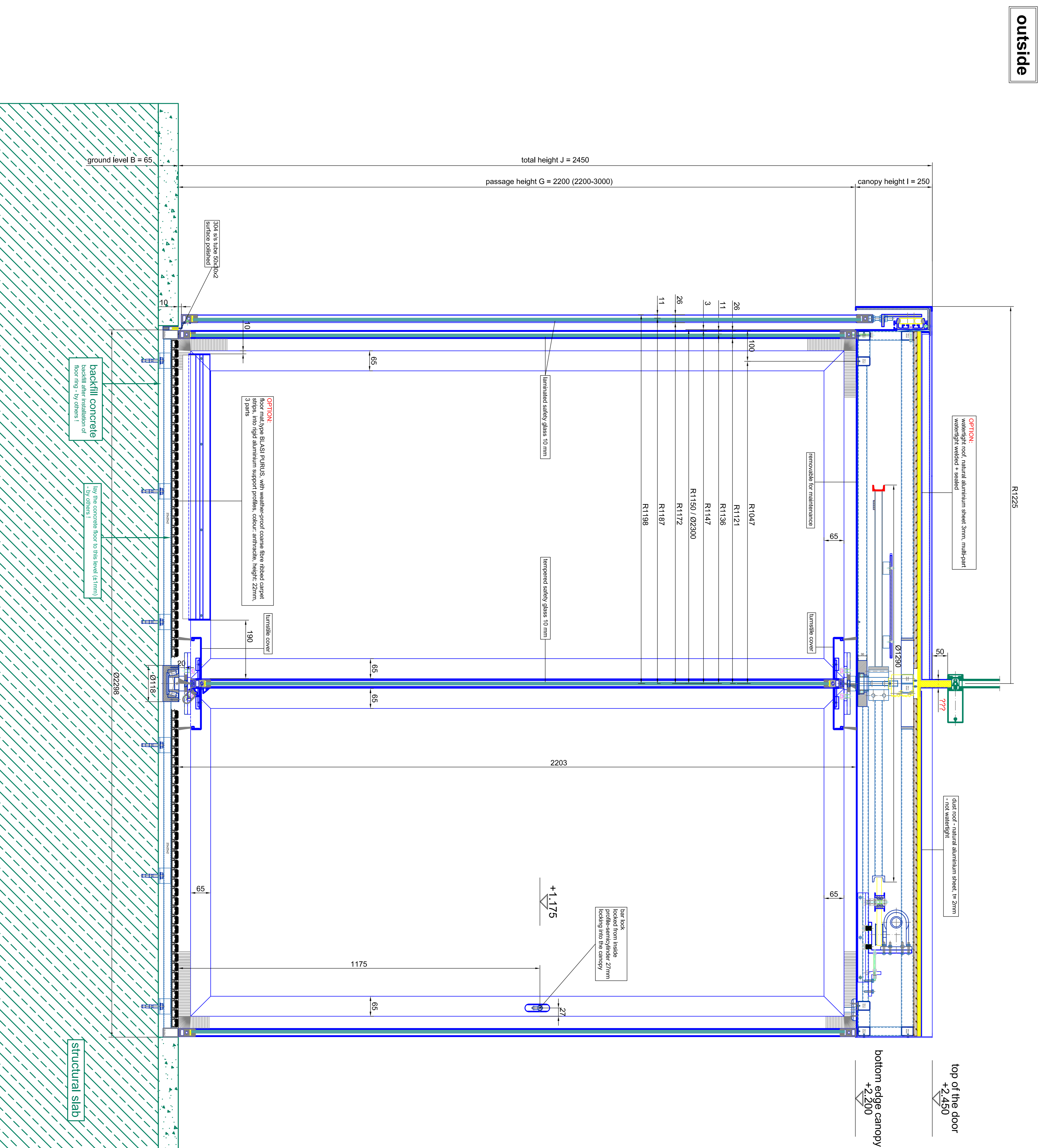
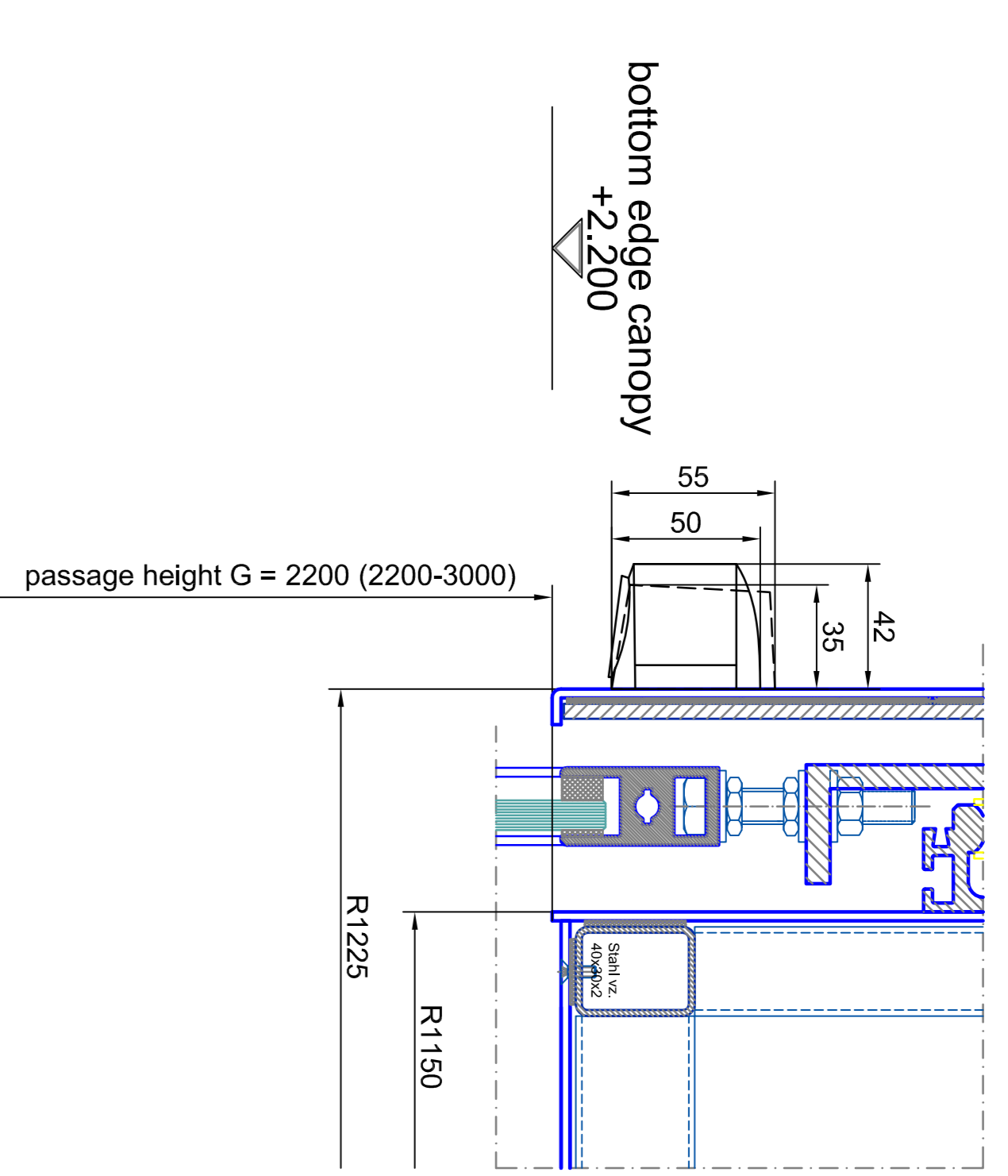


vertical section



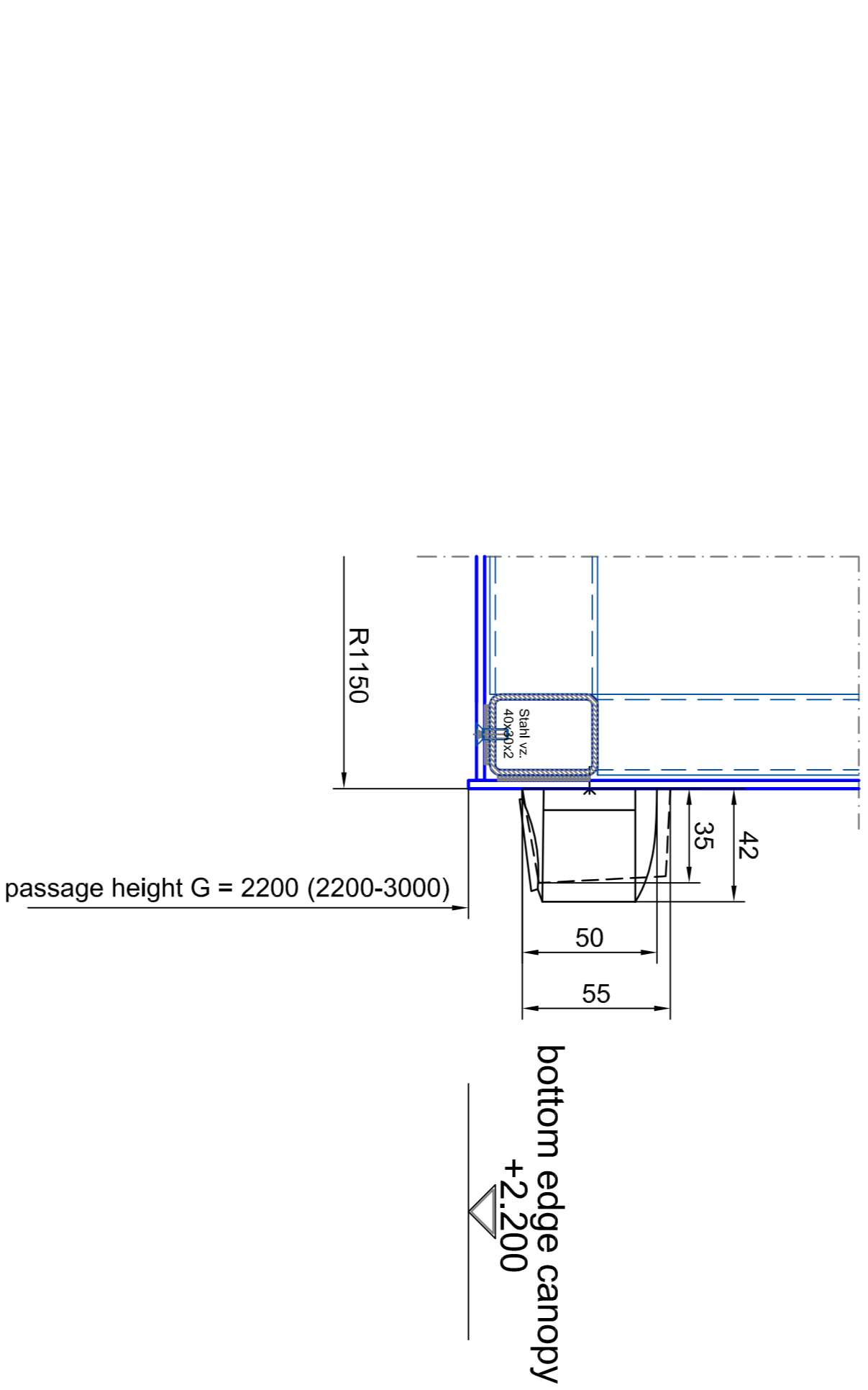
vertical section - passage area outside

A0 - M 1:2



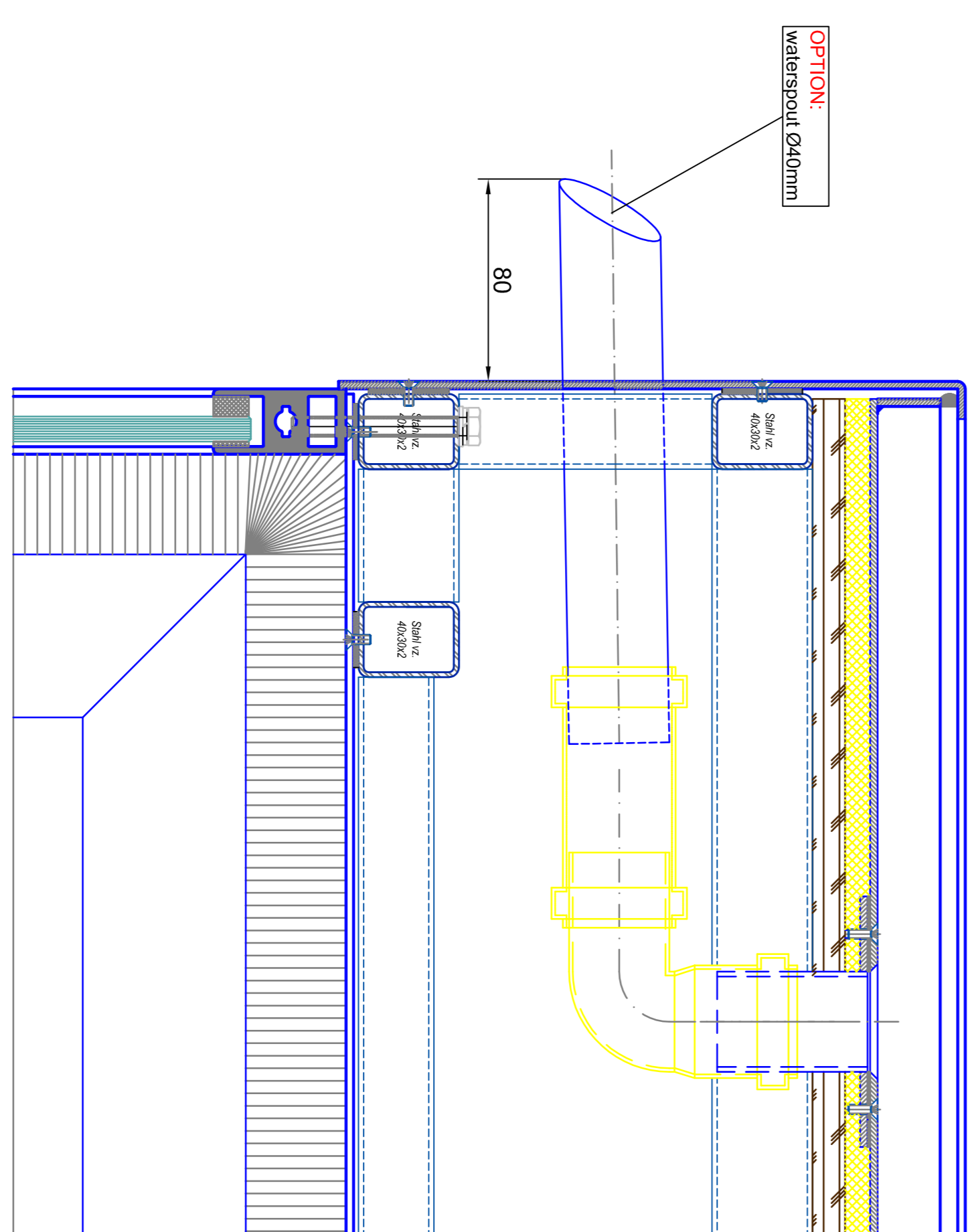
vertical section - passage area inside

A0 - M 1:2



vertical section - waterspout

A0 - M 1:2



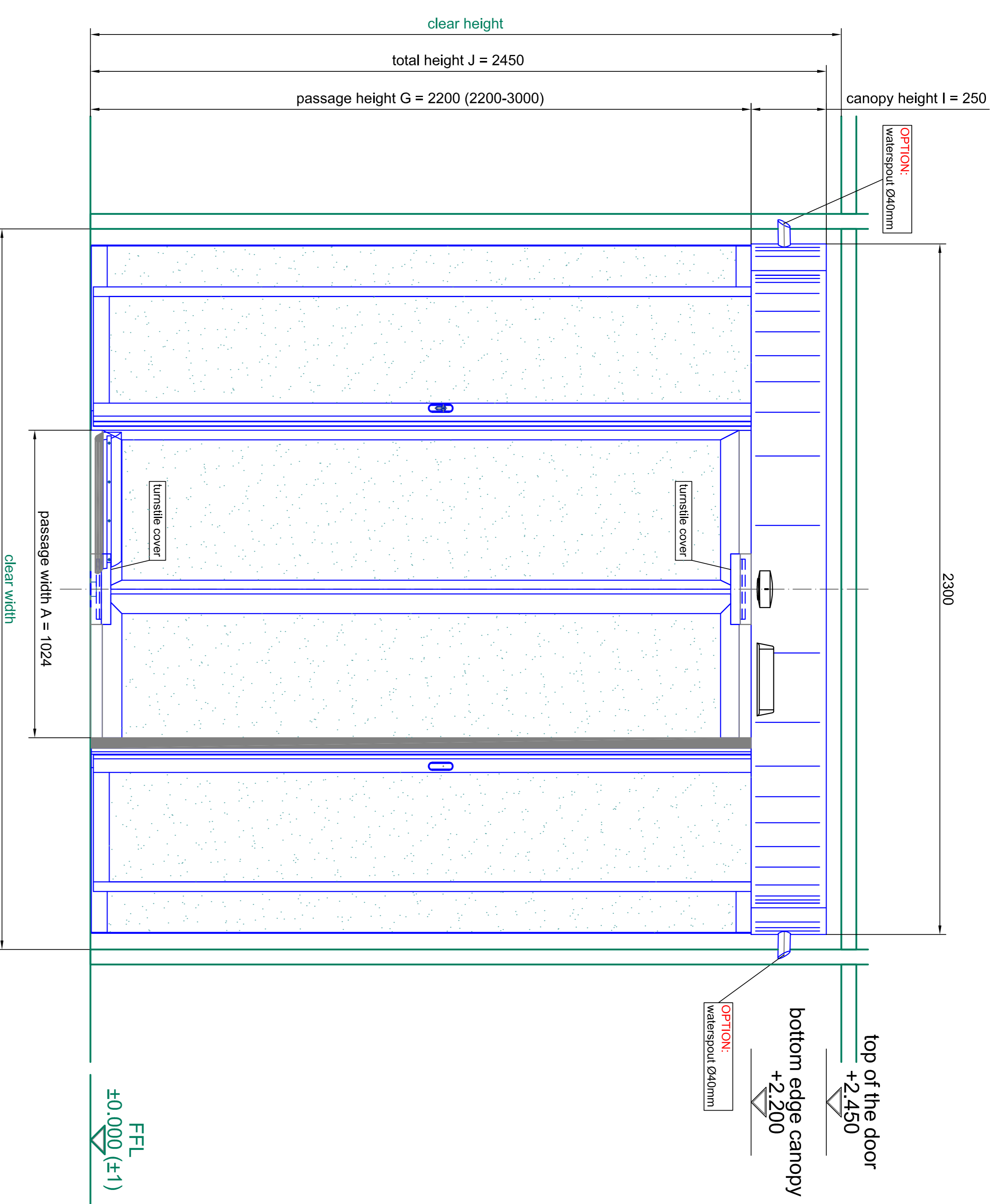
FLL ±0.000 (±1)
-0.065 (±1) SSL

Scale:	1:50	1:100	1:200	1:500	1:1000
Material:	Aluminum	Aluminum	Aluminum	Aluminum	Aluminum
Temp. safety glass:	10 mm	10 mm	10 mm	10 mm	10 mm
Temp. safety glass:	10 mm	10 mm	10 mm	10 mm	10 mm

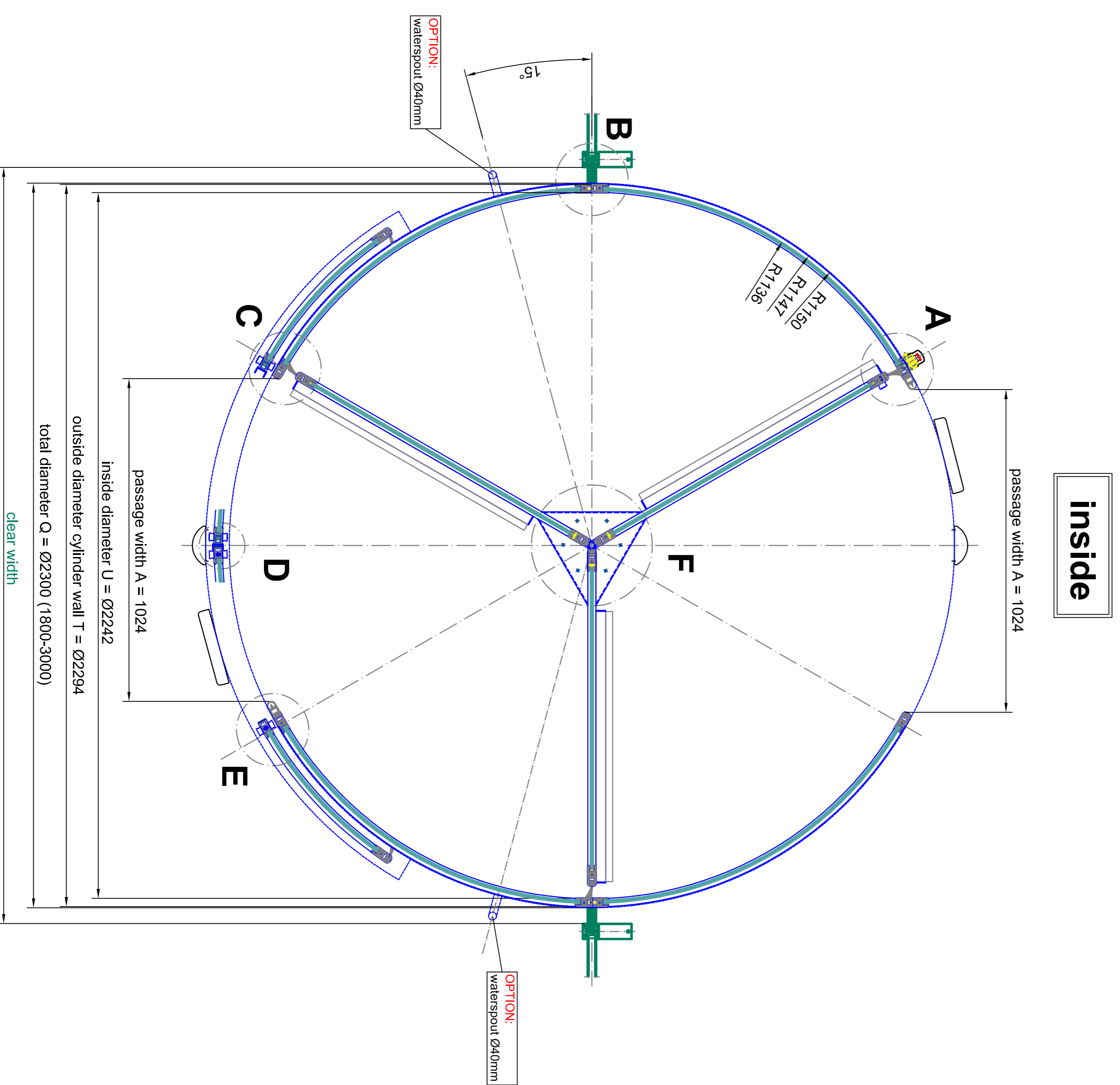
BLASI
Automatic Door
Call: +49 822 883 299
Fax: +49 822 883 298
E-mail: info@blasi.de
www.blasi.de

K31-V/MMA-23
SAMPLE DRAWING ONLY

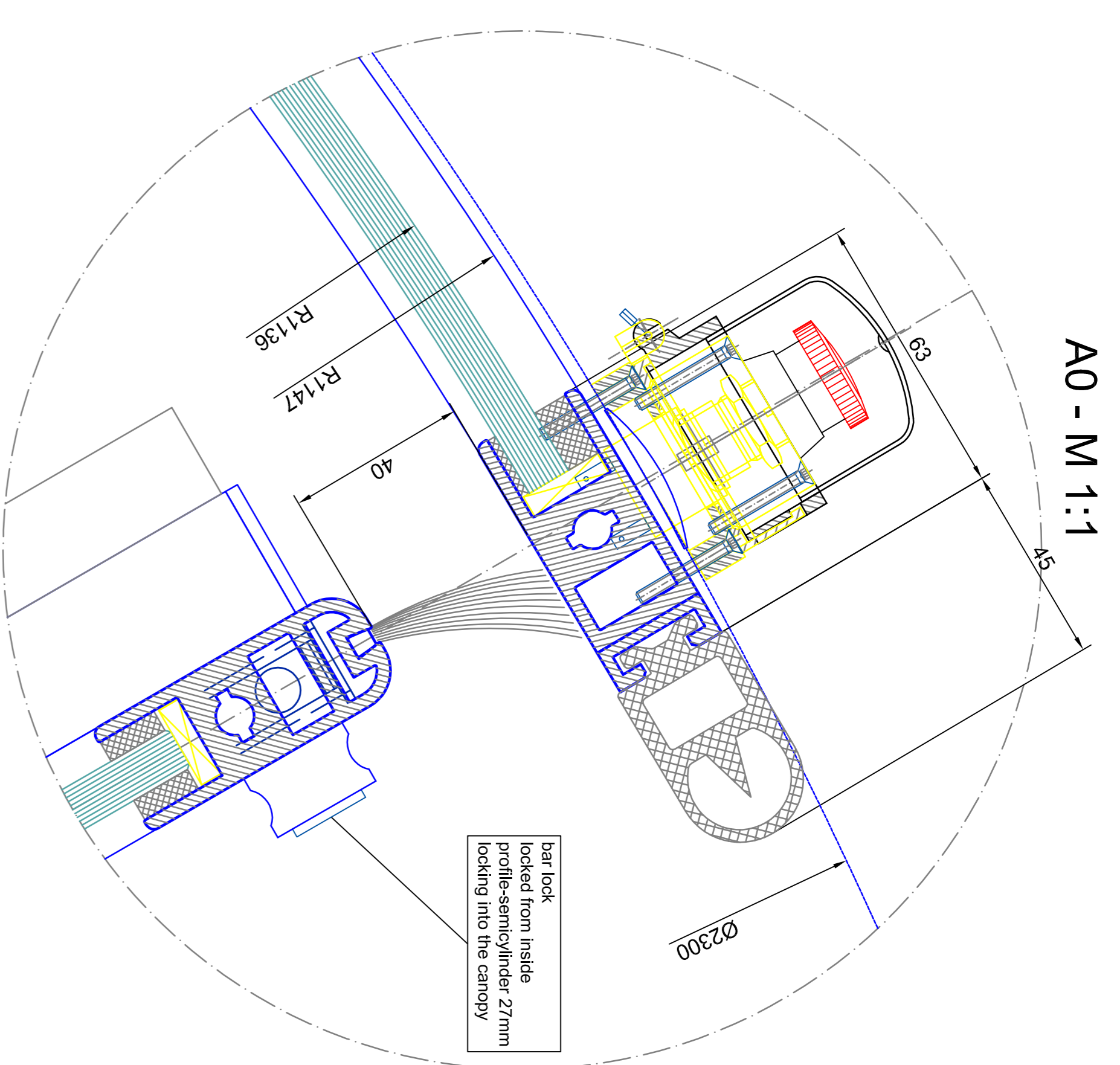
AD-M 1:5
Date: 01
Rev: 02



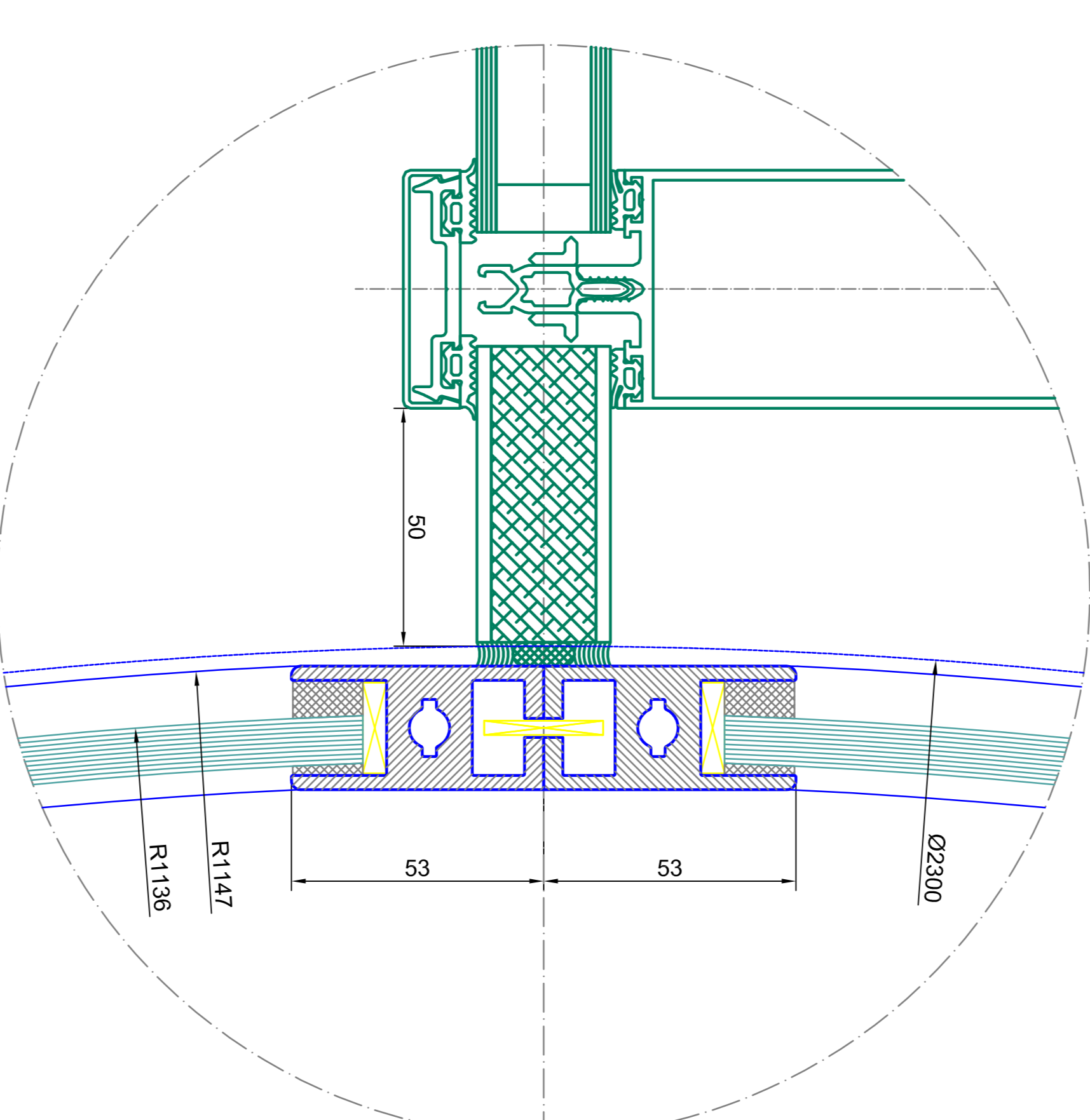
front elevation - outside



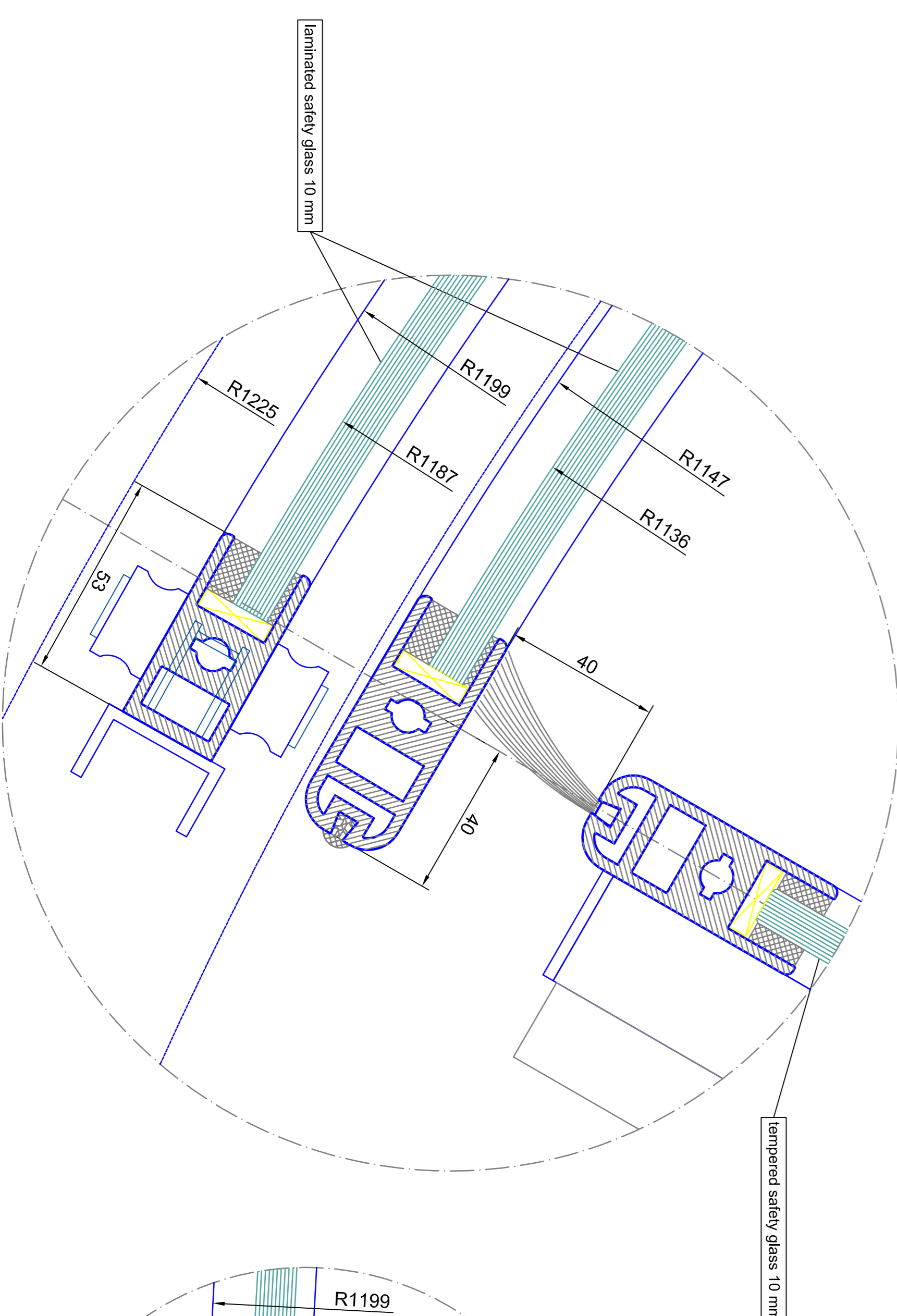
plan view



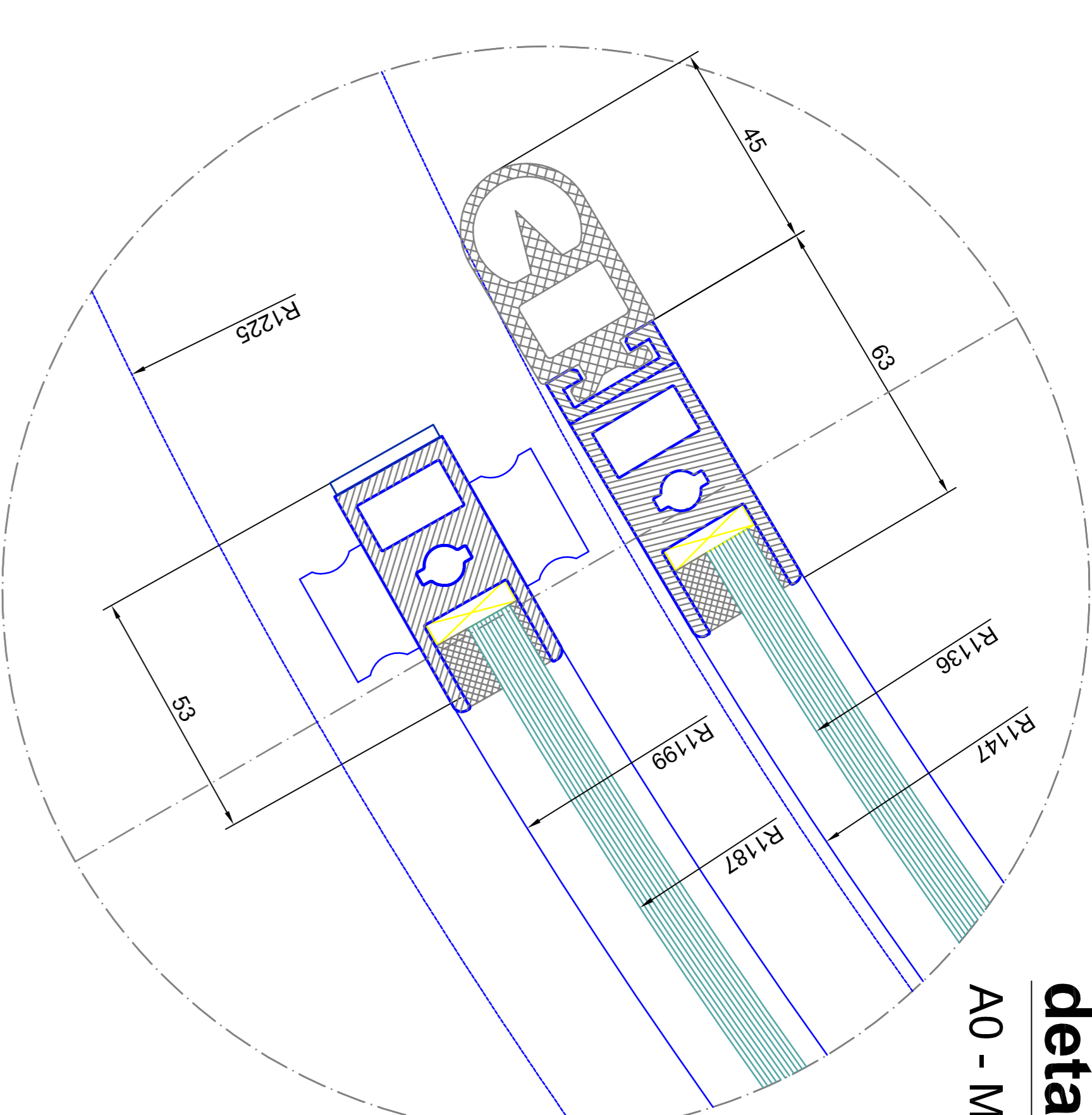
detail A
A0 - M 1:1



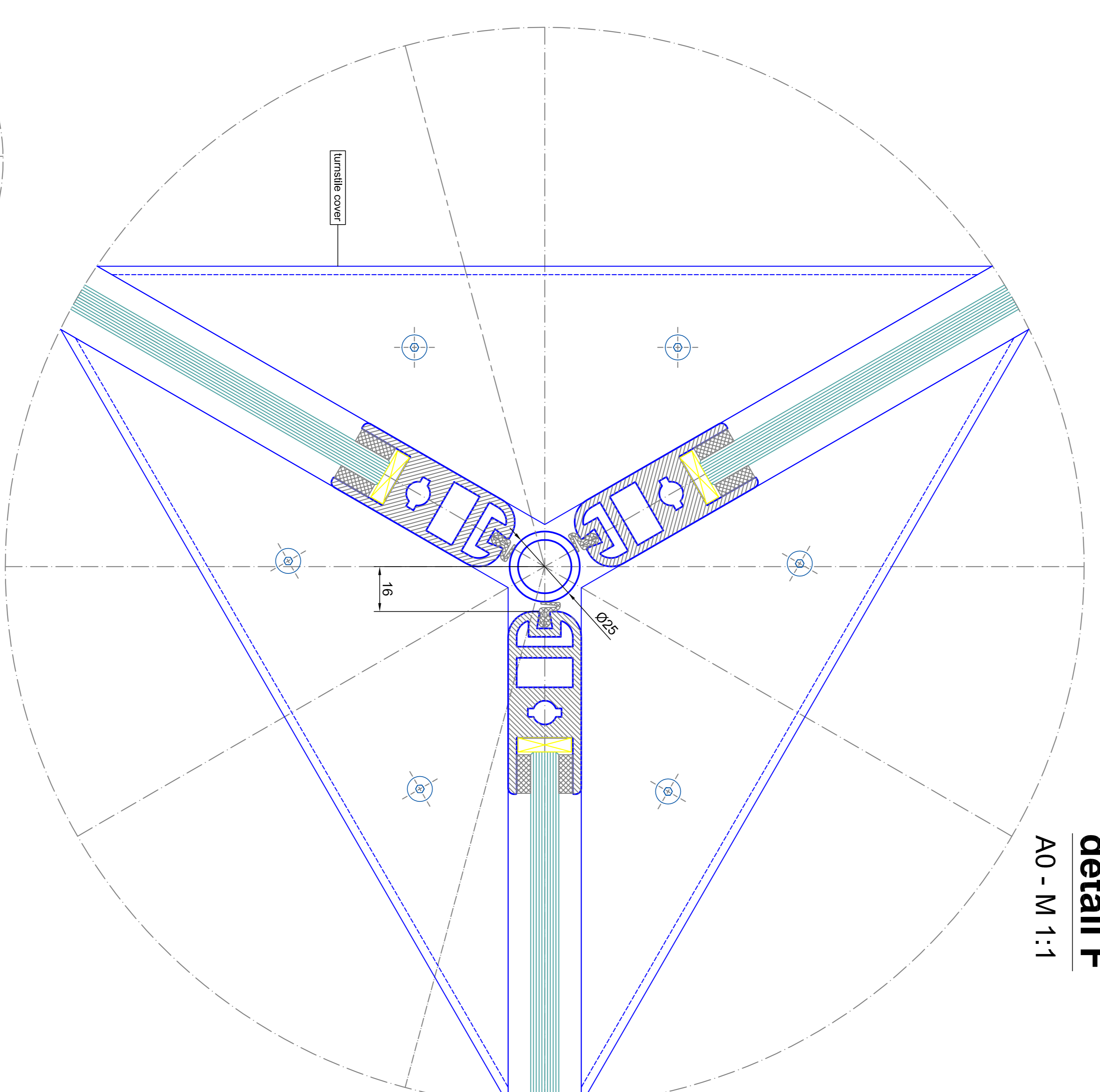
detail B
A0 - M 1:1



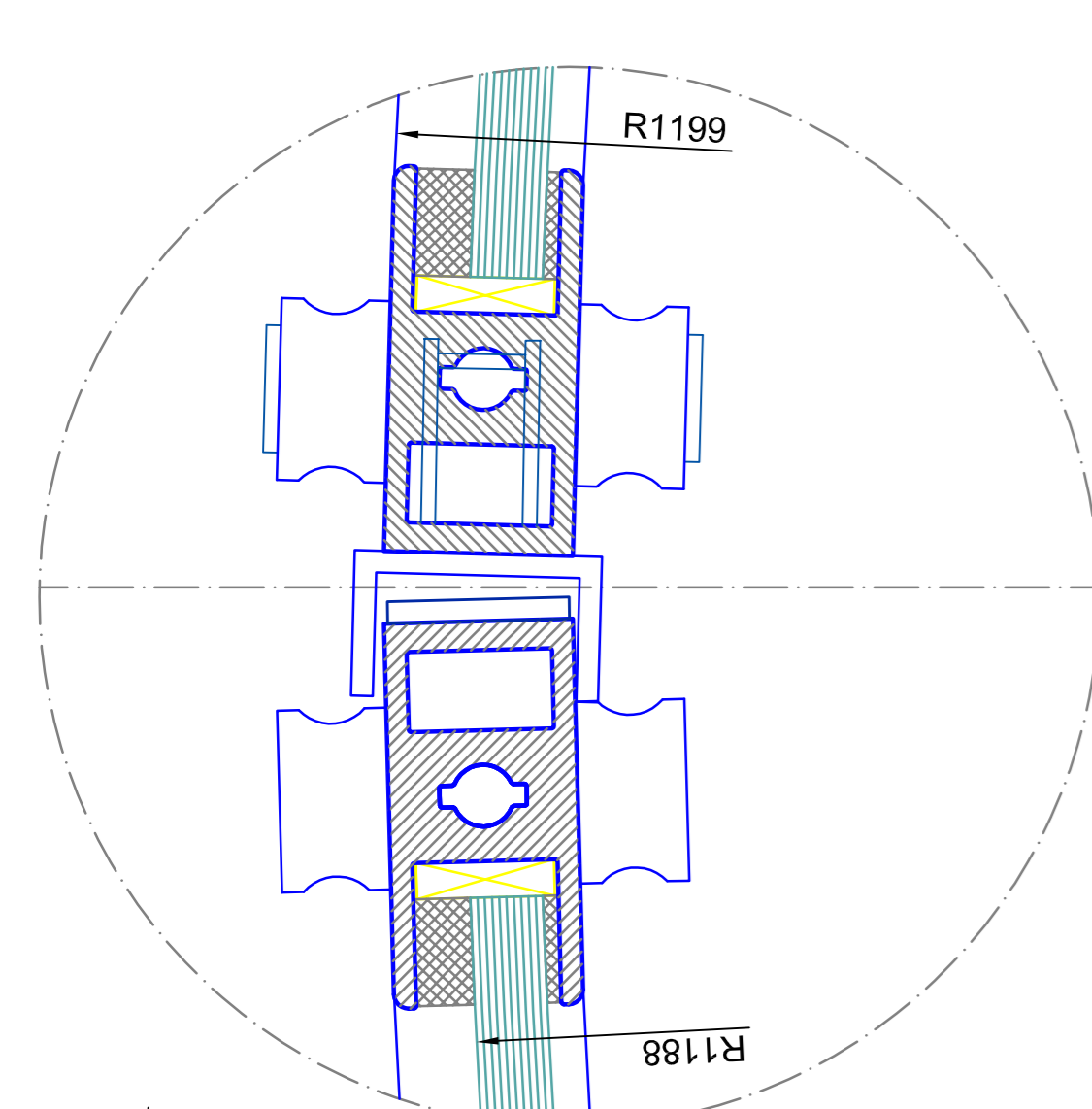
detail C
A0 - M 1:1



detail E
A0 - M 1:1



detail F
A0 - M 1:1



detail D
A0 - M 1:1

<p>BLASI B L A S I G m b H Automatic Doors Carl-Stein-Str. 5, 15 0 - 7 7 7 7 - 4 4 4 4 4</p>		<p>74 - +49(0)22 / 861 - 291 74 - +49(0)22 / 861 - 299 E-mail: info@blasig.de www.blasig.de</p>		<p>304.48 Tempered safety glass 10 mm LIMITED SAFETY GLASS 10 mm</p>		<p>304.48 LIMITED SAFETY GLASS 10 mm LIMITED SAFETY GLASS 10 mm</p>	
<p>Project: K31-V/MMA-23 Scale: A0 - M 1:10 Drawing No.: 304.48</p>		<p>DATE: 2023.07.10 DRAWN: [Signature] CHECKED: [Signature]</p>		<p>DATE: 2023.07.10 DRAWN: [Signature] CHECKED: [Signature]</p>		<p>DATE: 2023.07.10 DRAWN: [Signature] CHECKED: [Signature]</p>	
<p>Blasig is a registered trademark of Blasig GmbH. All rights reserved. © Blasig GmbH 2023.</p>		<p>Blasig is a registered trademark of Blasig GmbH. All rights reserved. © Blasig GmbH 2023.</p>		<p>Blasig is a registered trademark of Blasig GmbH. All rights reserved. © Blasig GmbH 2023.</p>		<p>Blasig is a registered trademark of Blasig GmbH. All rights reserved. © Blasig GmbH 2023.</p>	