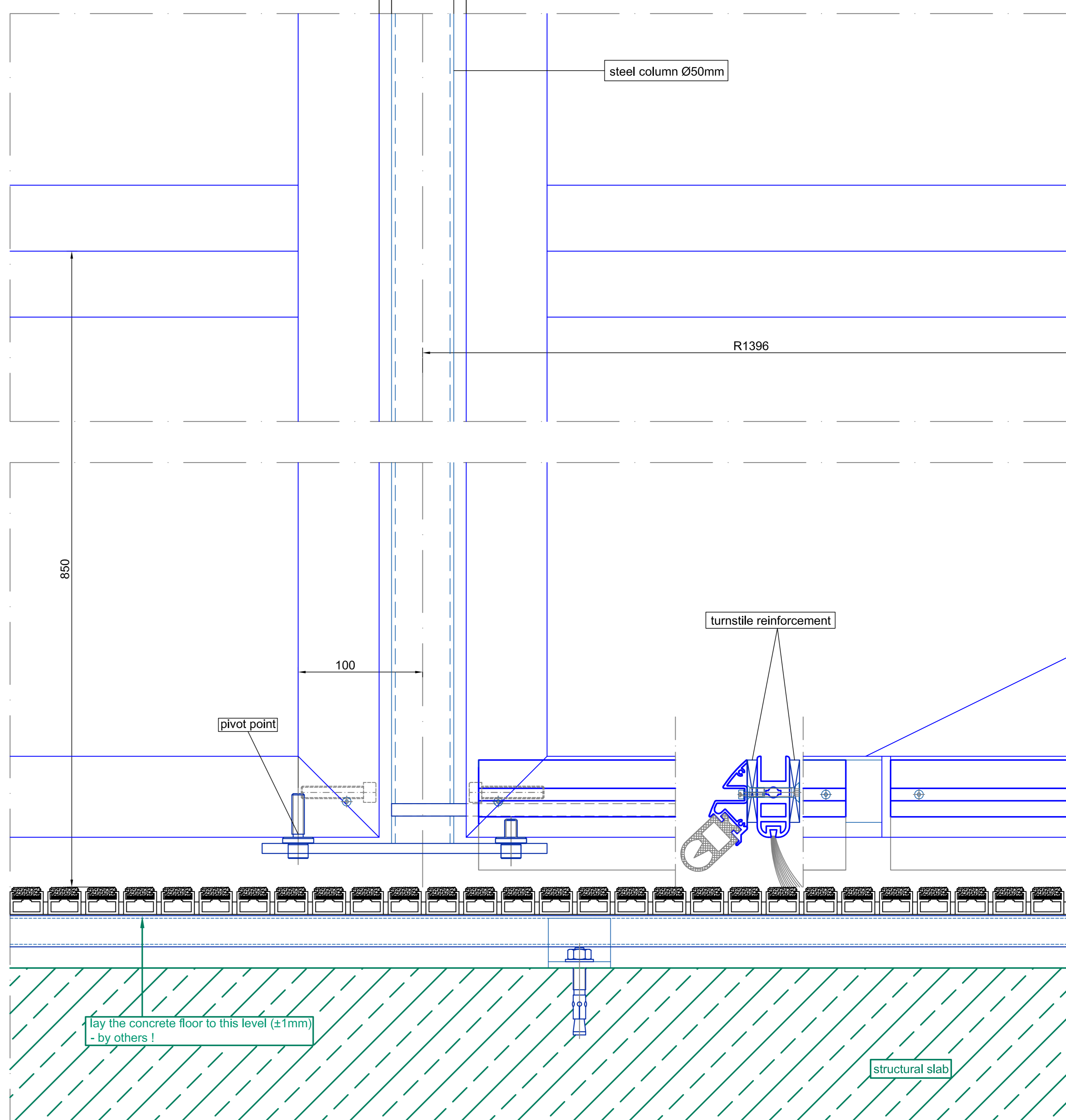
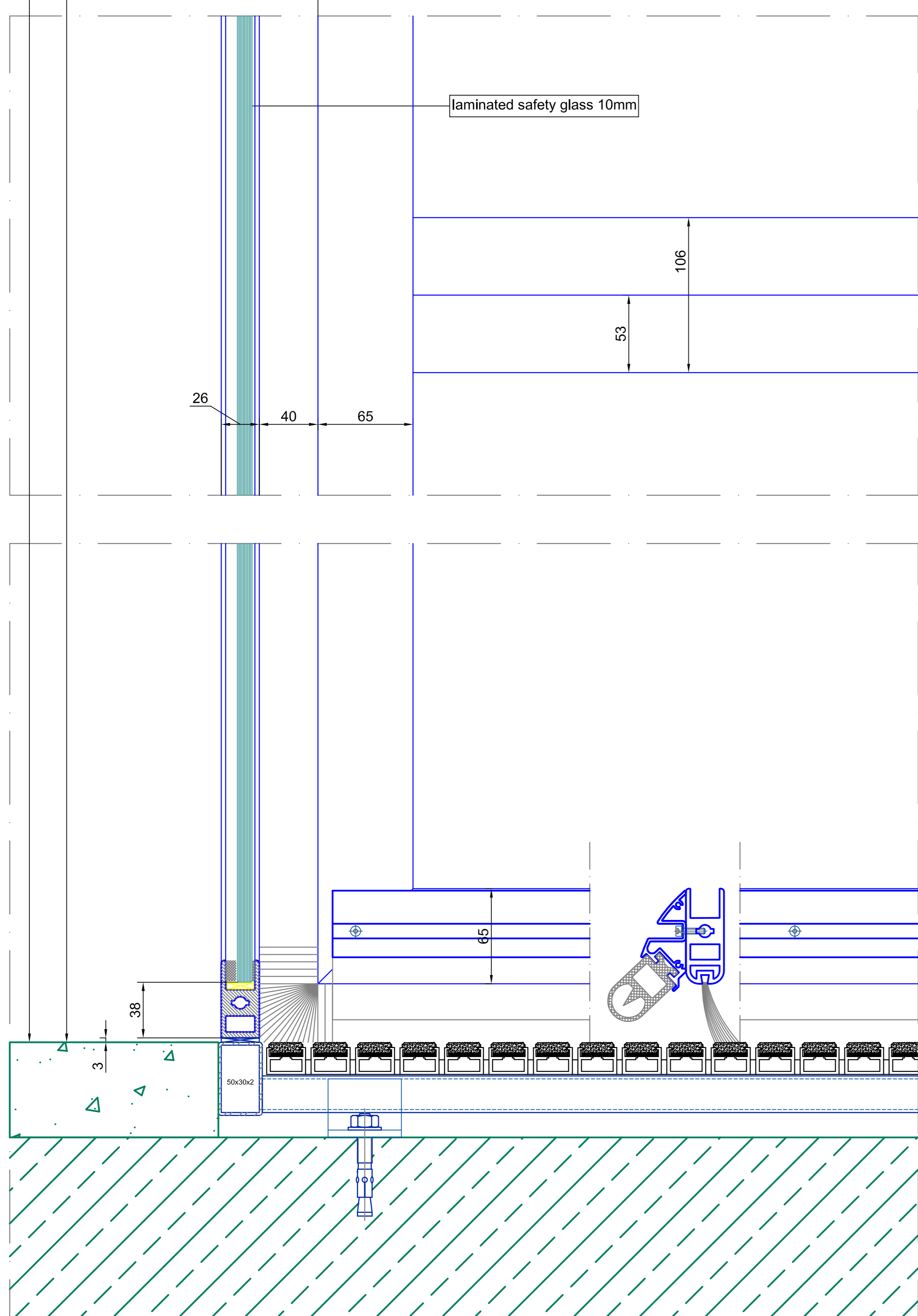
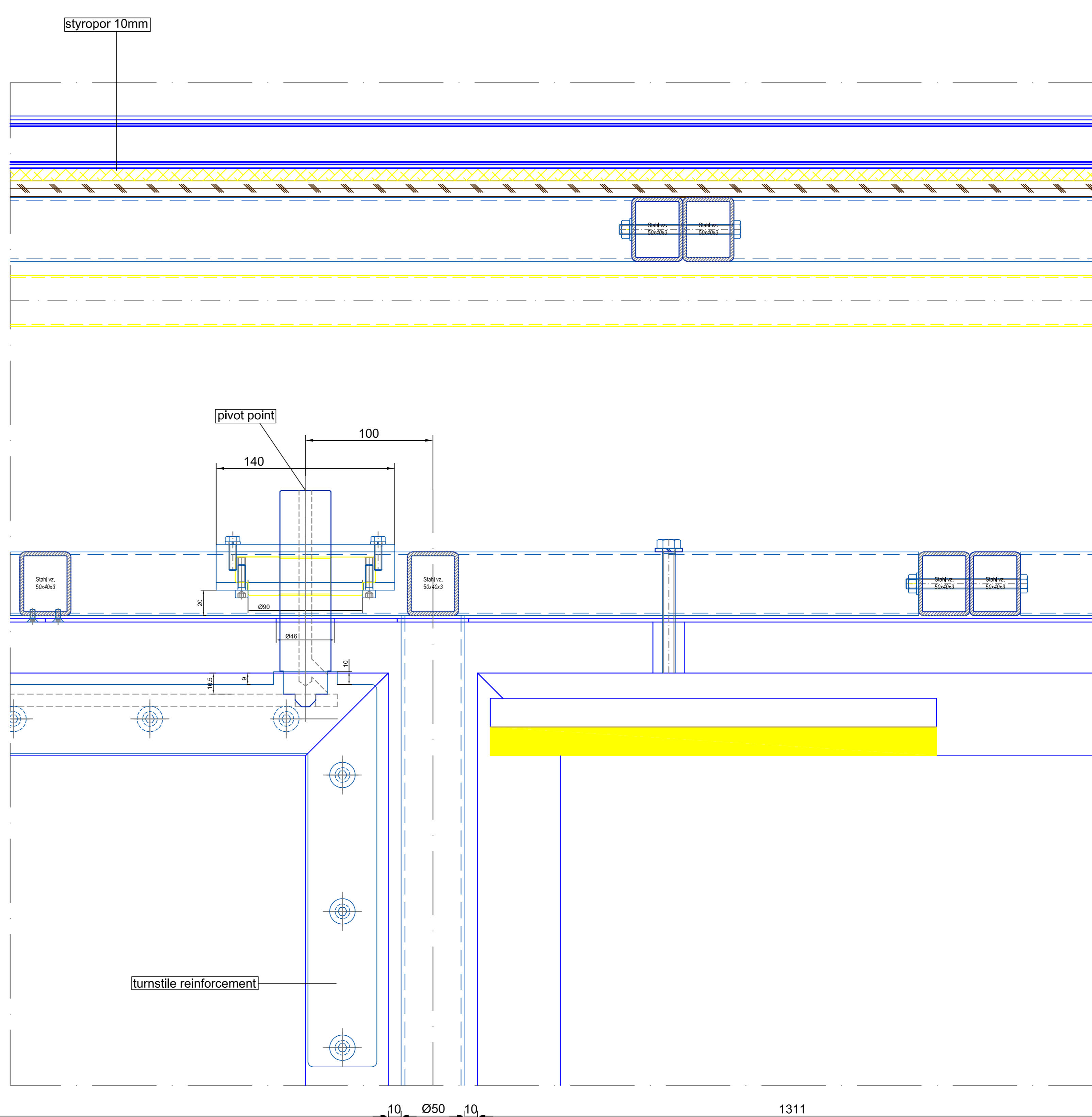
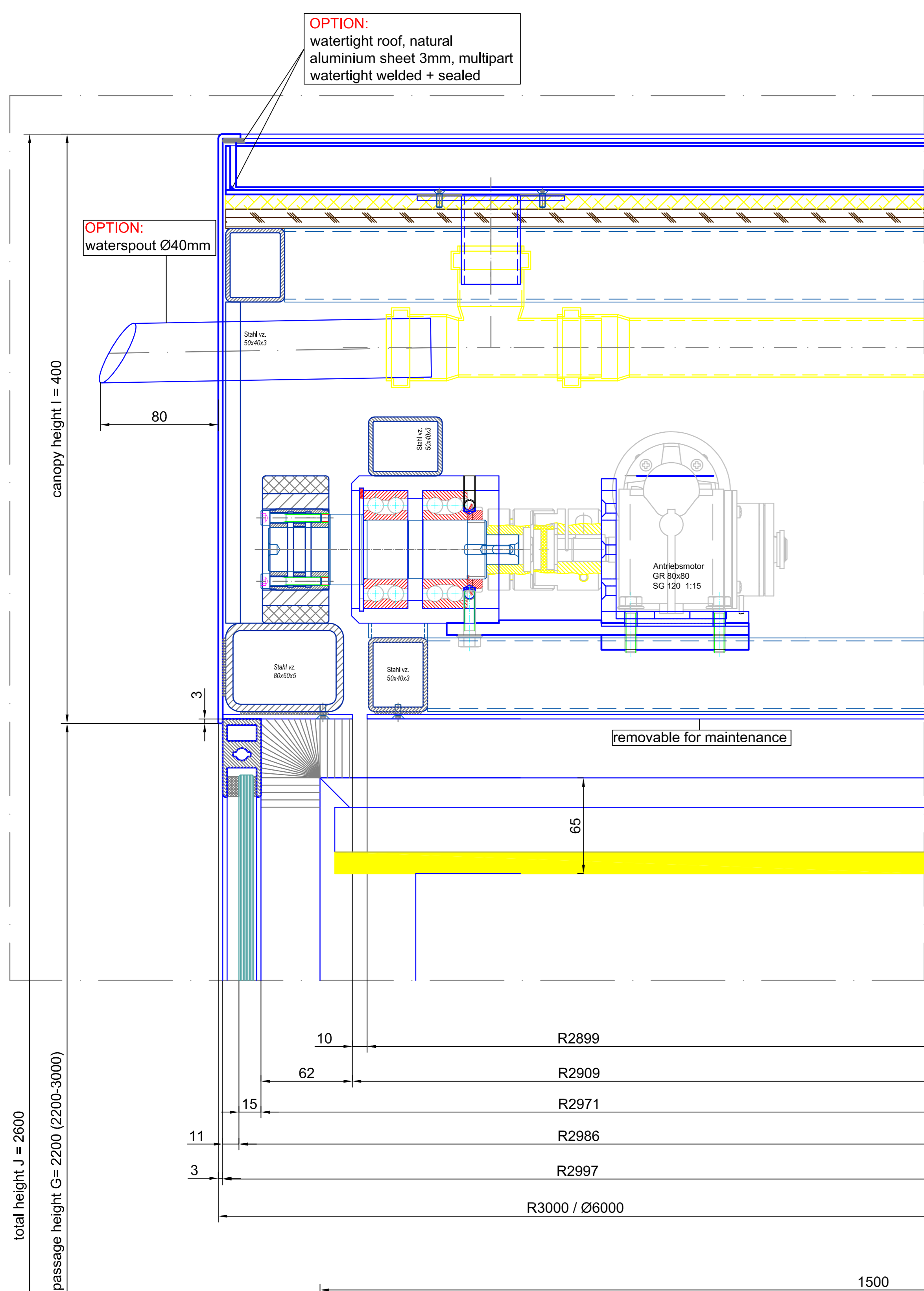


outside



vertical section side part

All glass related components must be executed by specialist
 laminated safety glass 10 mm
 laminated safety glass 10 mm
 laminated safety glass 10 mm

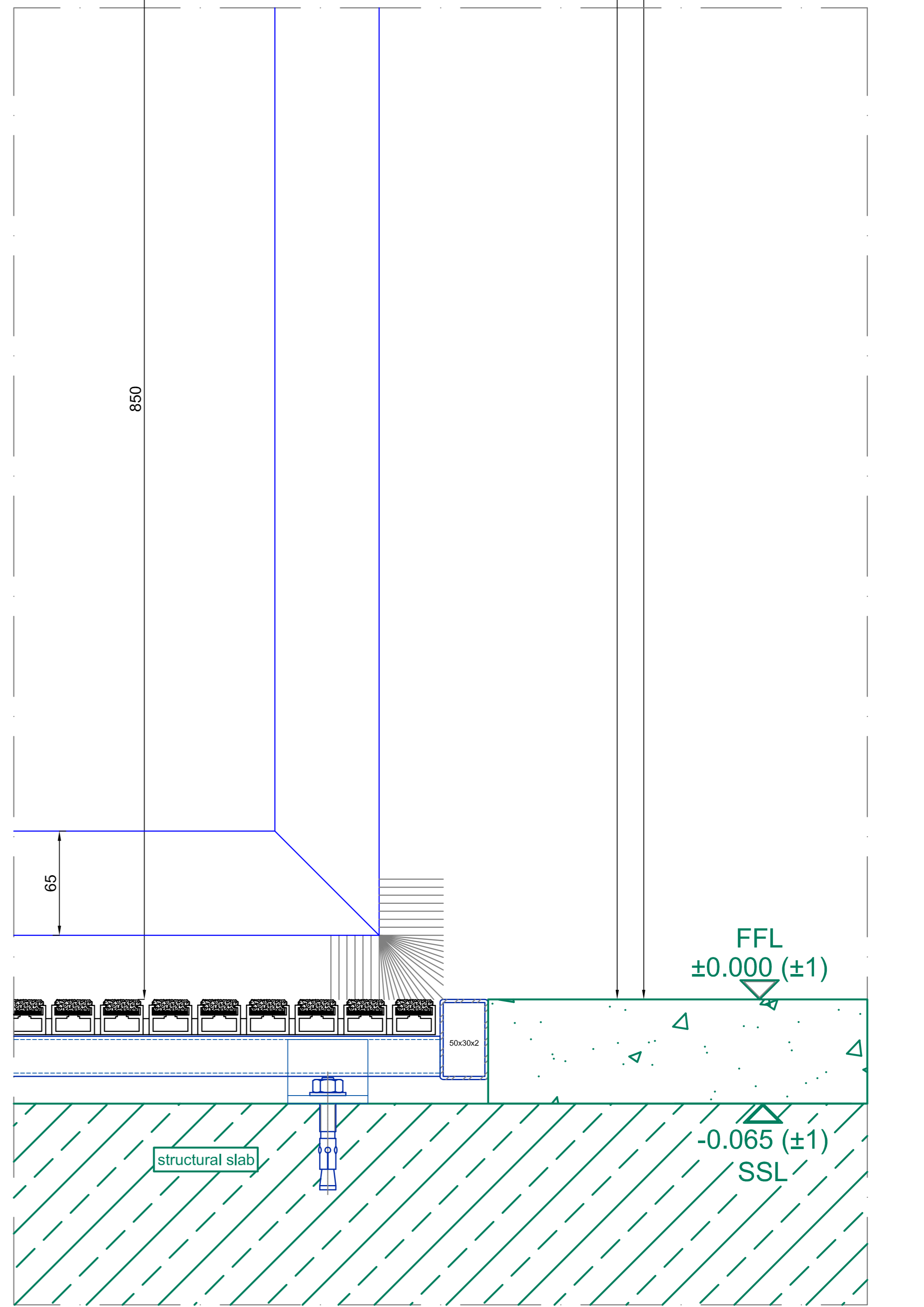
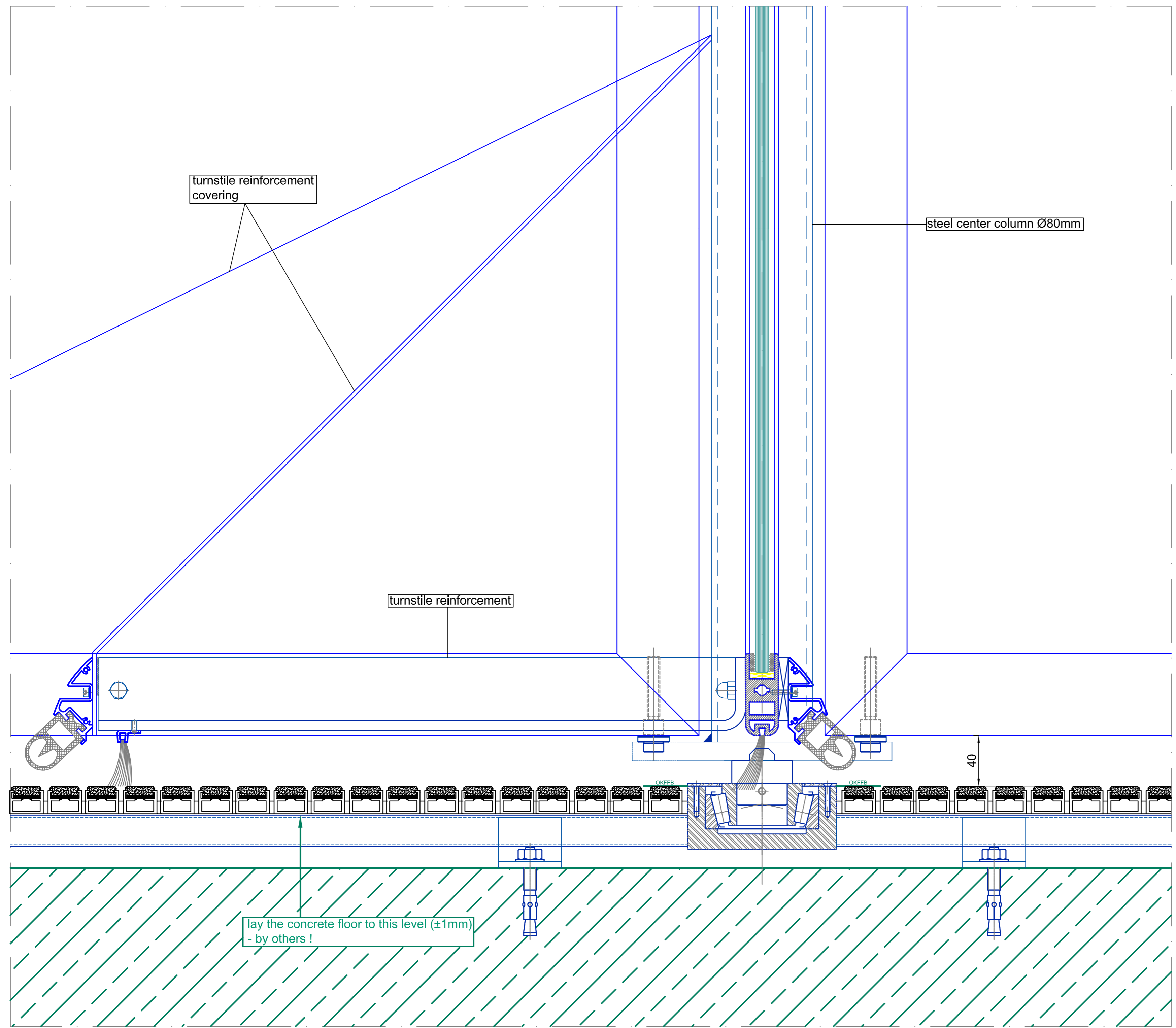
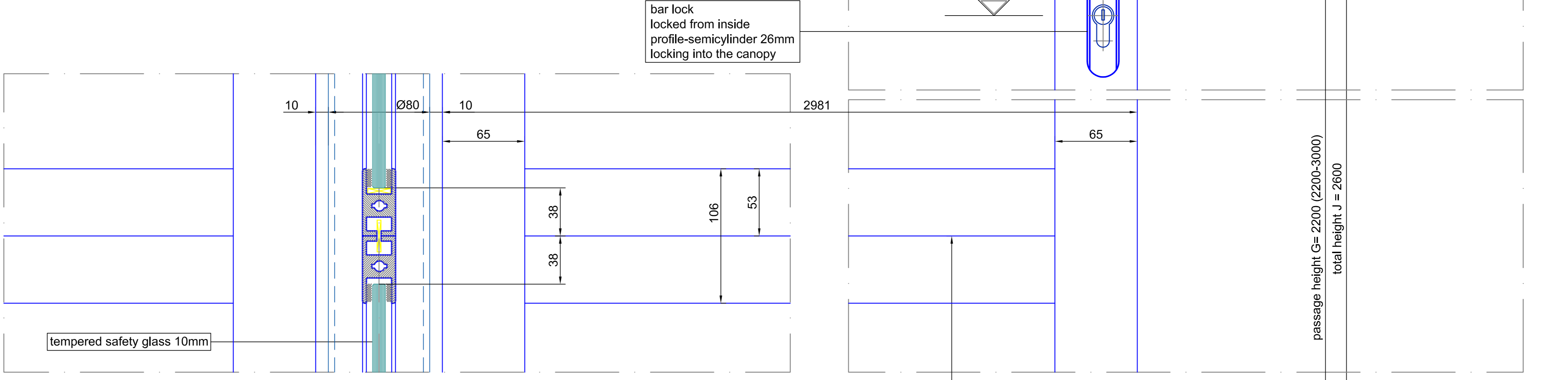
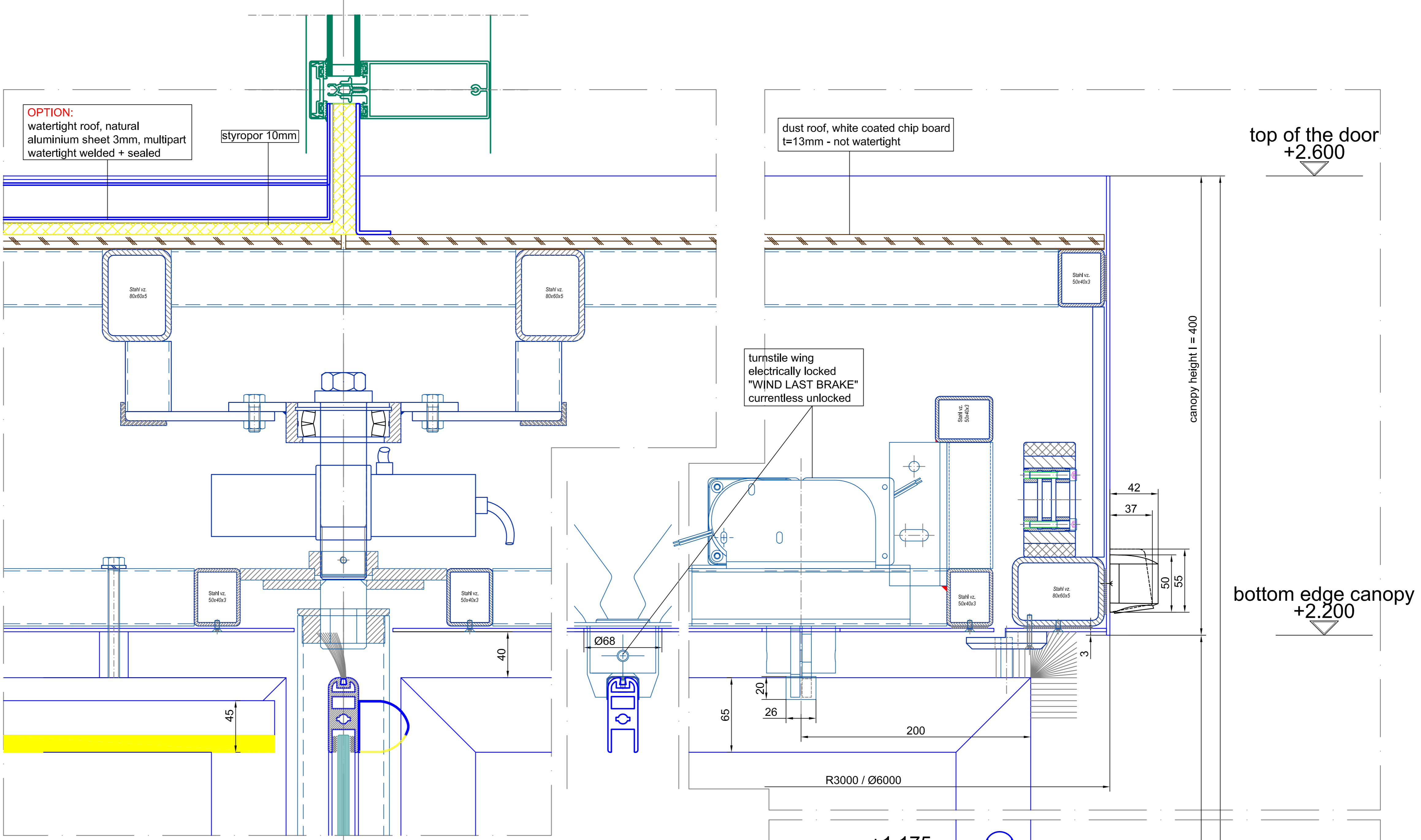
Author: 304 49
 Designer: 304 49
 Date: 2023/07/17
 Project:

BLASI
 B L A S I G m b H
 Automatic Doors
 Call: +49 202 789 5-10
 E-mail: info@blasibw.de
 www.blasi.de

K31-V-60 Break-Out
 SAMPLE DRAWING ONLY

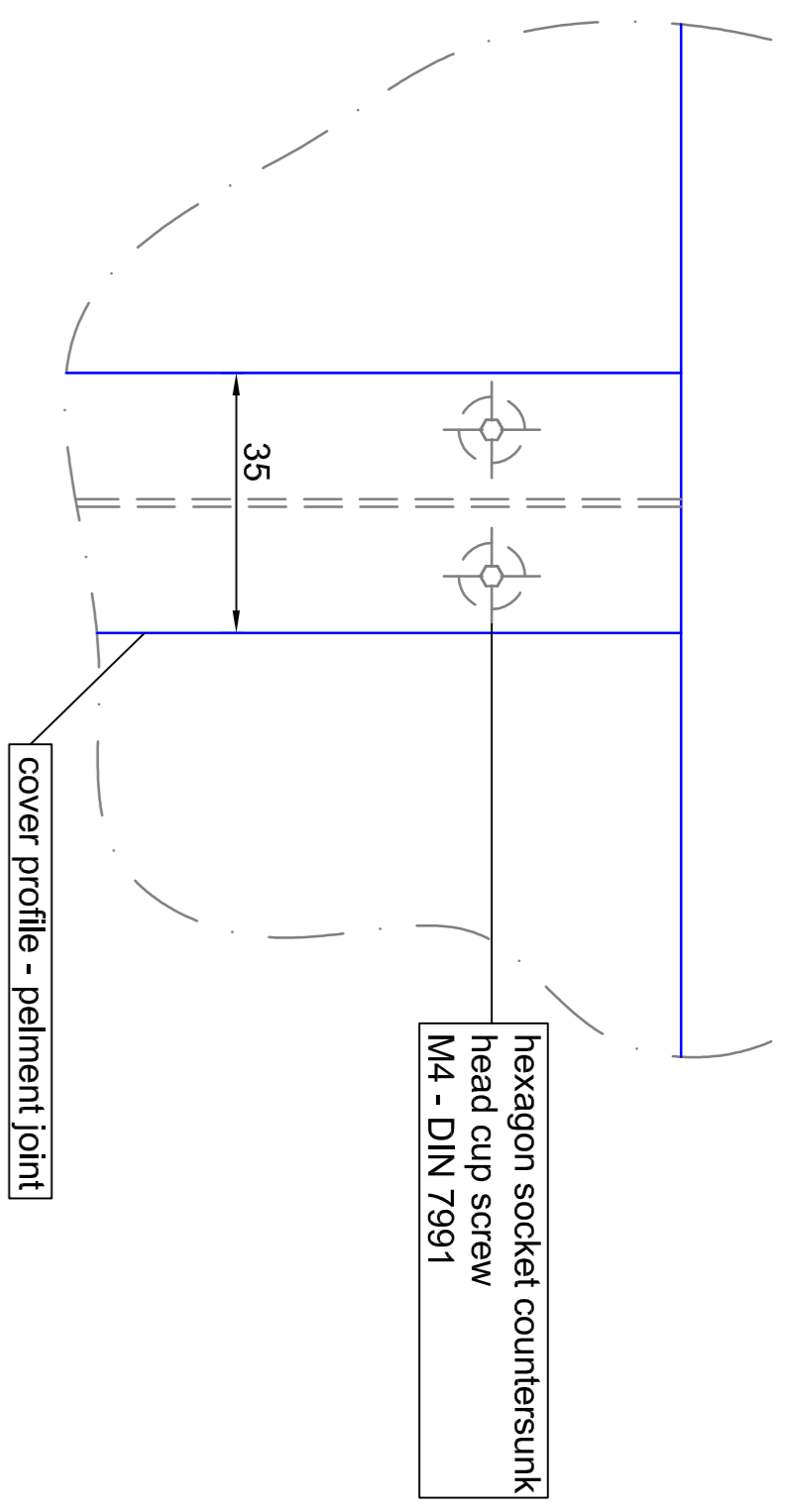
Page: 02
 Total: 08

inside

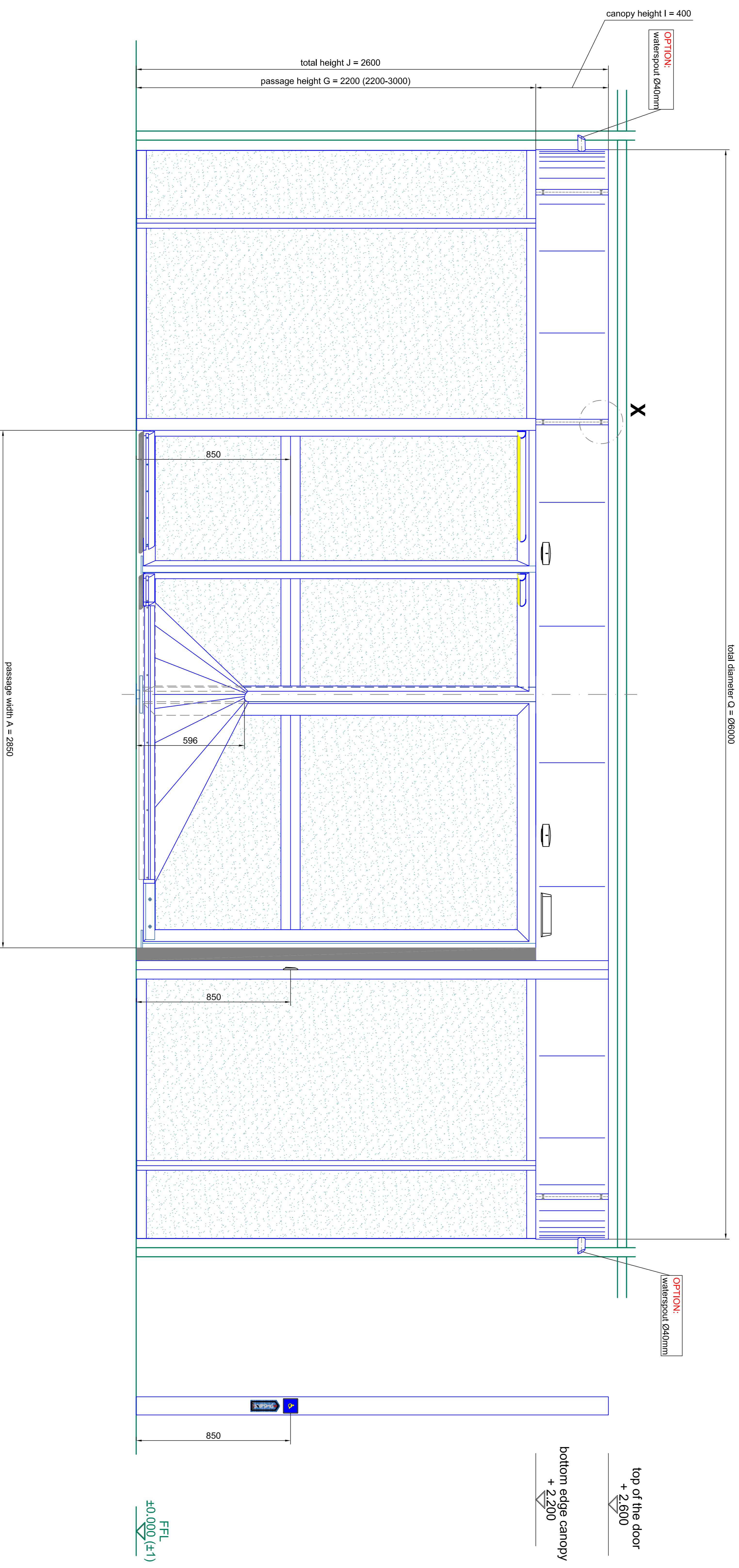


vertical section

vertical section - passage area



detail X - pelmet joint
A0 - M1:1



front elevation - outside

Material	Quantity	Unit	Notes
tempered safety glass 10 mm	304.48	(2000 / 6600)	if additional material components must be installed by customer
laminated safety glass 10 mm			

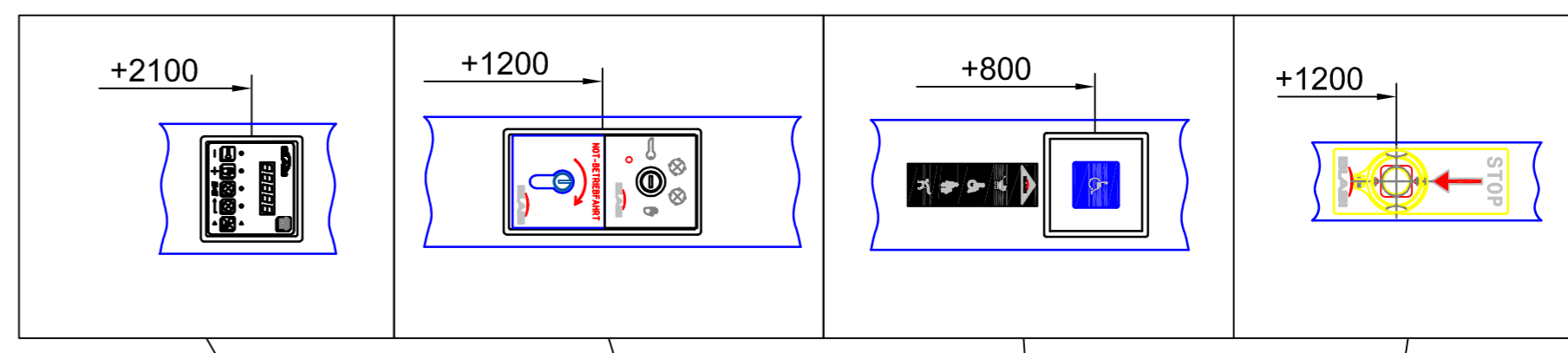
BLASI
Automatic Doors
Caf. Ser. S-16
D. 11912, Milano

Tel. +39022 / 881 - 281
Fax. +39022 / 881 - 288
E-mail: info@blasi.it
www.blasi.it

K31-V-60 Break-Off
SAMPLE DRAWING ONLY

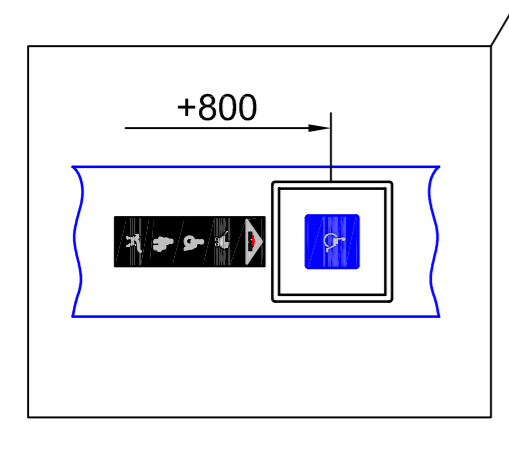
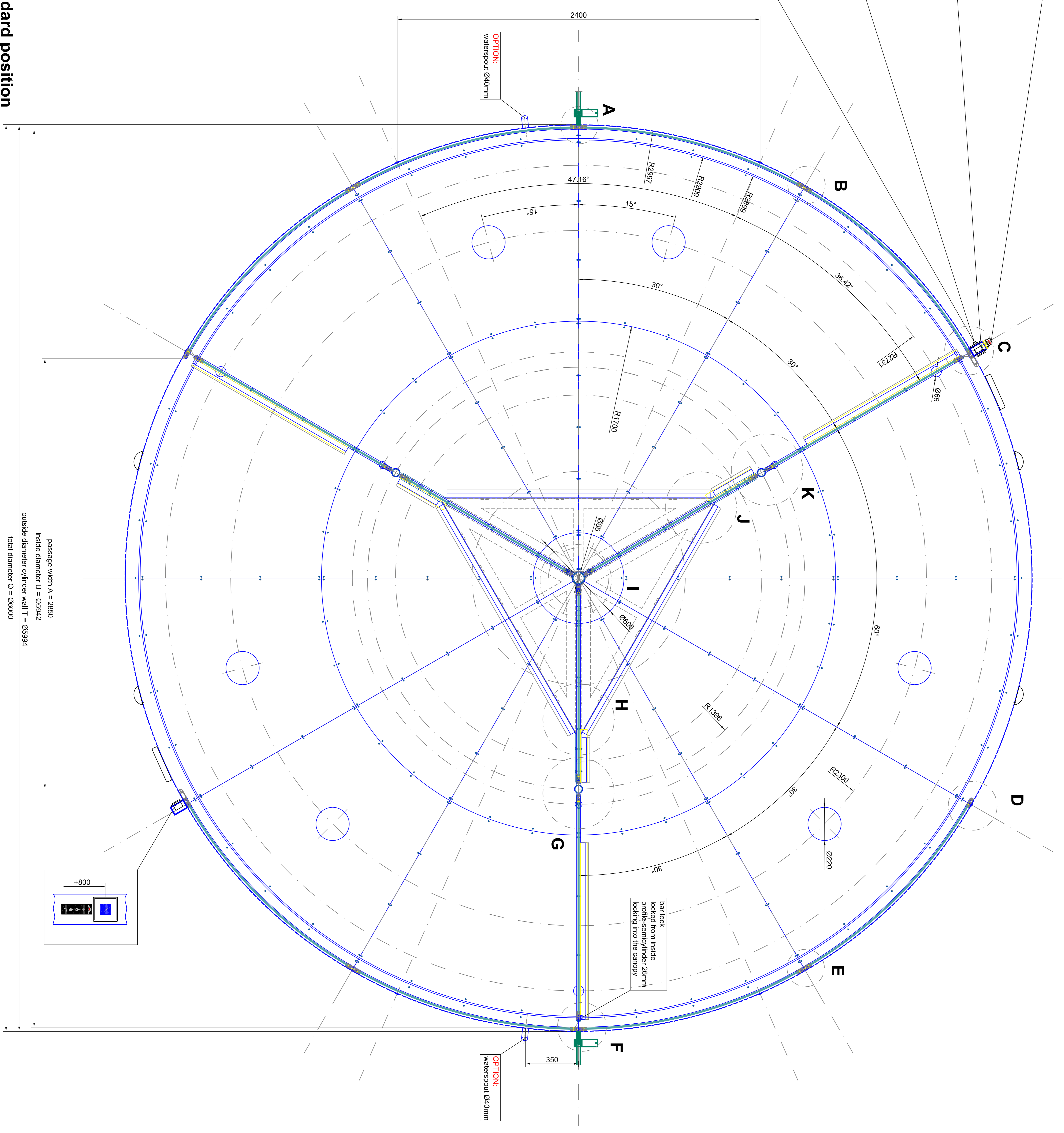
Scale: A0 = M1:10
Drawing No.: 1208
Rev.: 04
Date: 08

inside



outside

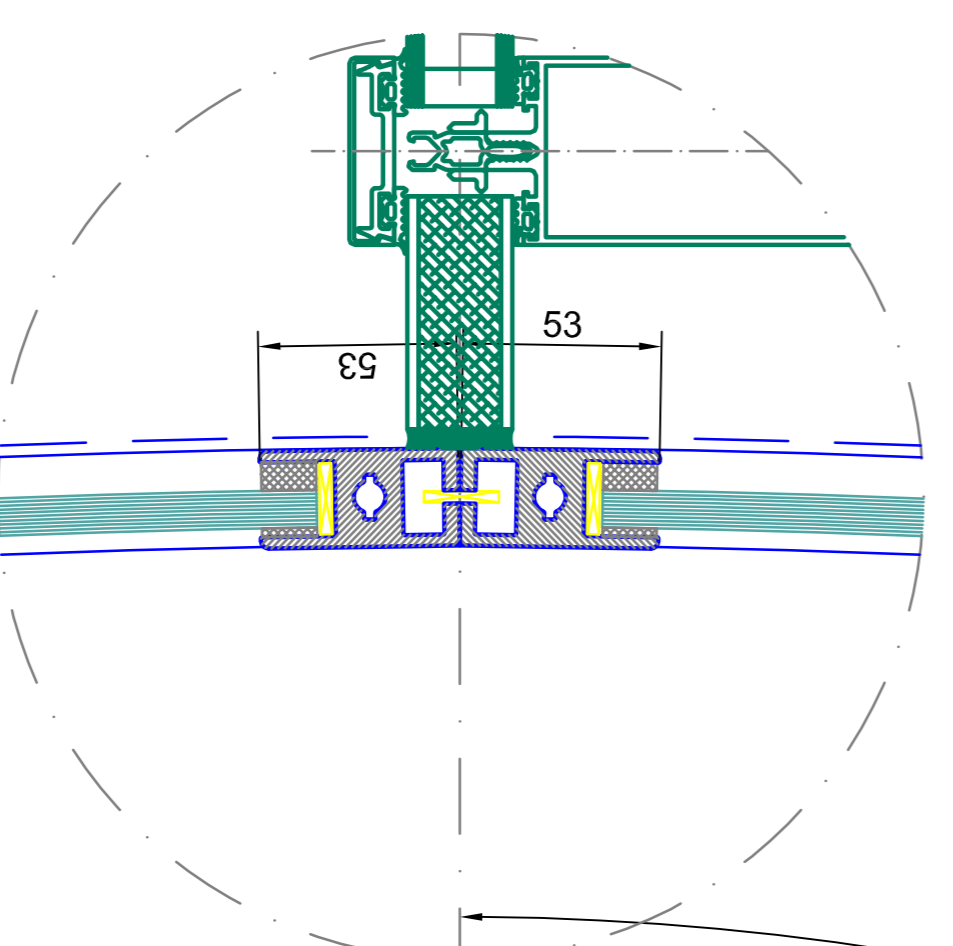
horizontal section - door in standard position



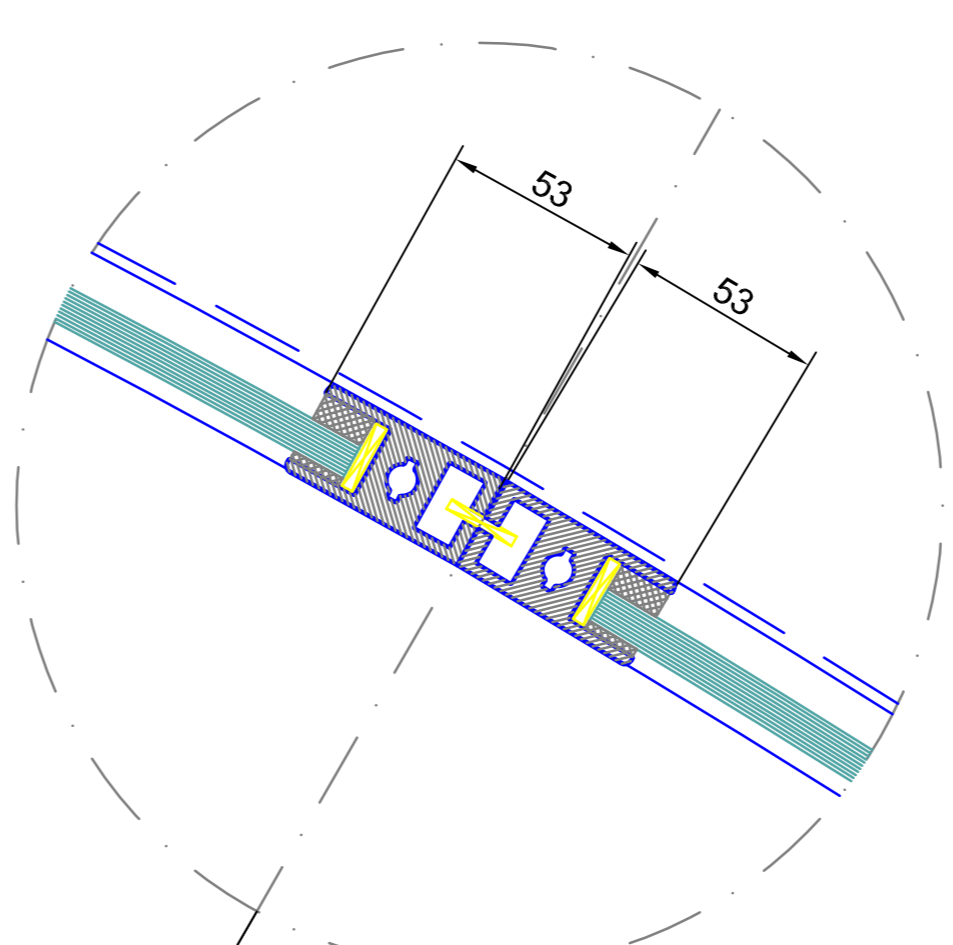
Standard	304 A4	Material	304 A4
Door	304 A4	Material	304 A4
Glass	tempered safety glass 10 mm	Material	tempered safety glass 10 mm
Lock	304 A4	Material	304 A4
Handle	304 A4	Material	304 A4
Seal	304 A4	Material	304 A4
Weld	304 A4	Material	304 A4
Paint	304 A4	Material	304 A4
Accessories	304 A4	Material	304 A4
Other	304 A4	Material	304 A4

Model	A0 = M110
Series	K31-V-60 Break-Out
Version	SAMPLE DRAWING ONLY
Page	05
Version	08

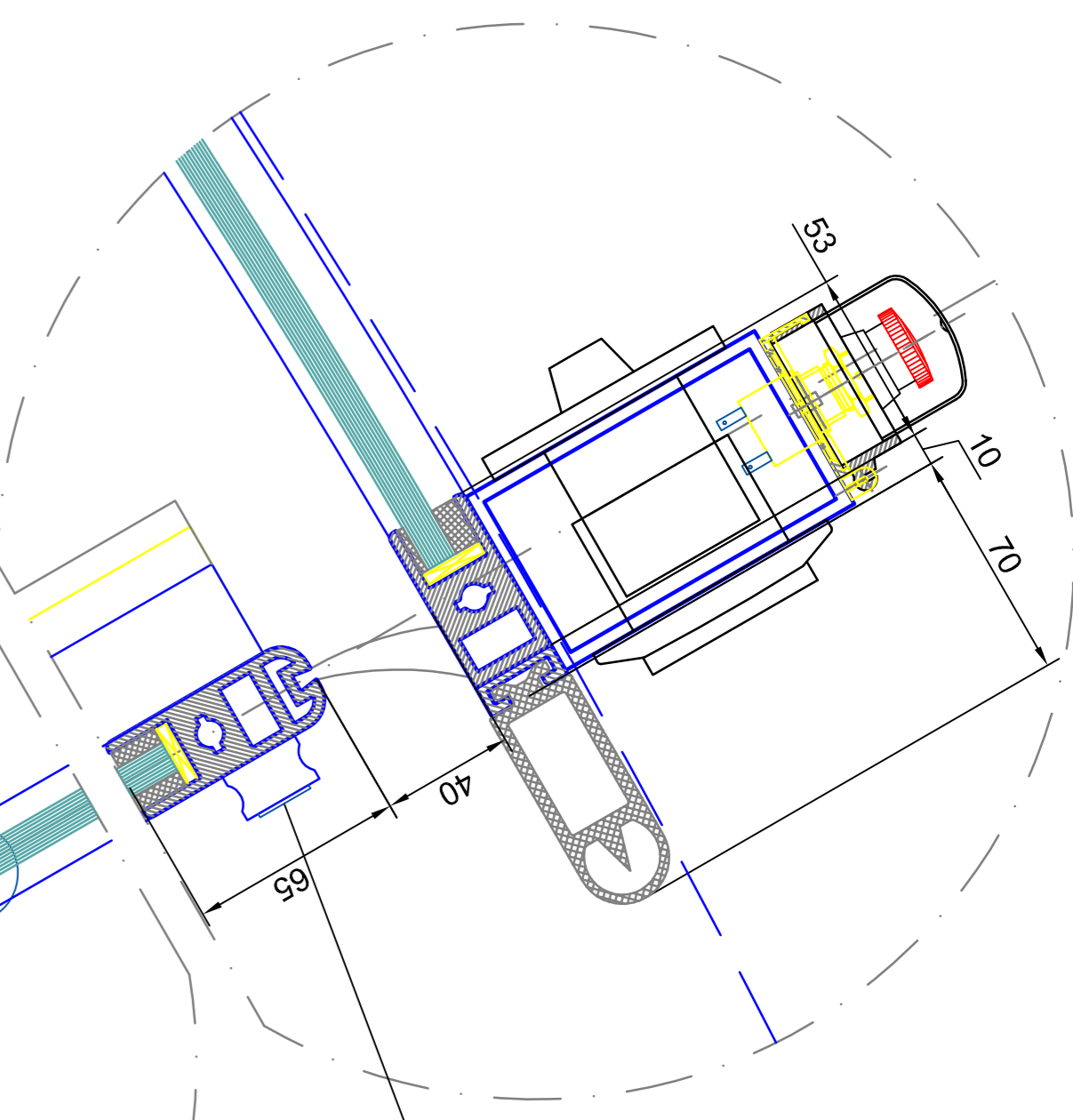
Company	BLASI
Address	B.L.A.S.I. G.m.b.H. Automatic Doors Oef. Str. 5-16 D - 71934 Albstadt
Phone	+49 (0) 71 41 90 10 10
Fax	+49 (0) 71 41 90 10 10
Email	info@blasi.de
Website	www.blasi.de



detail A



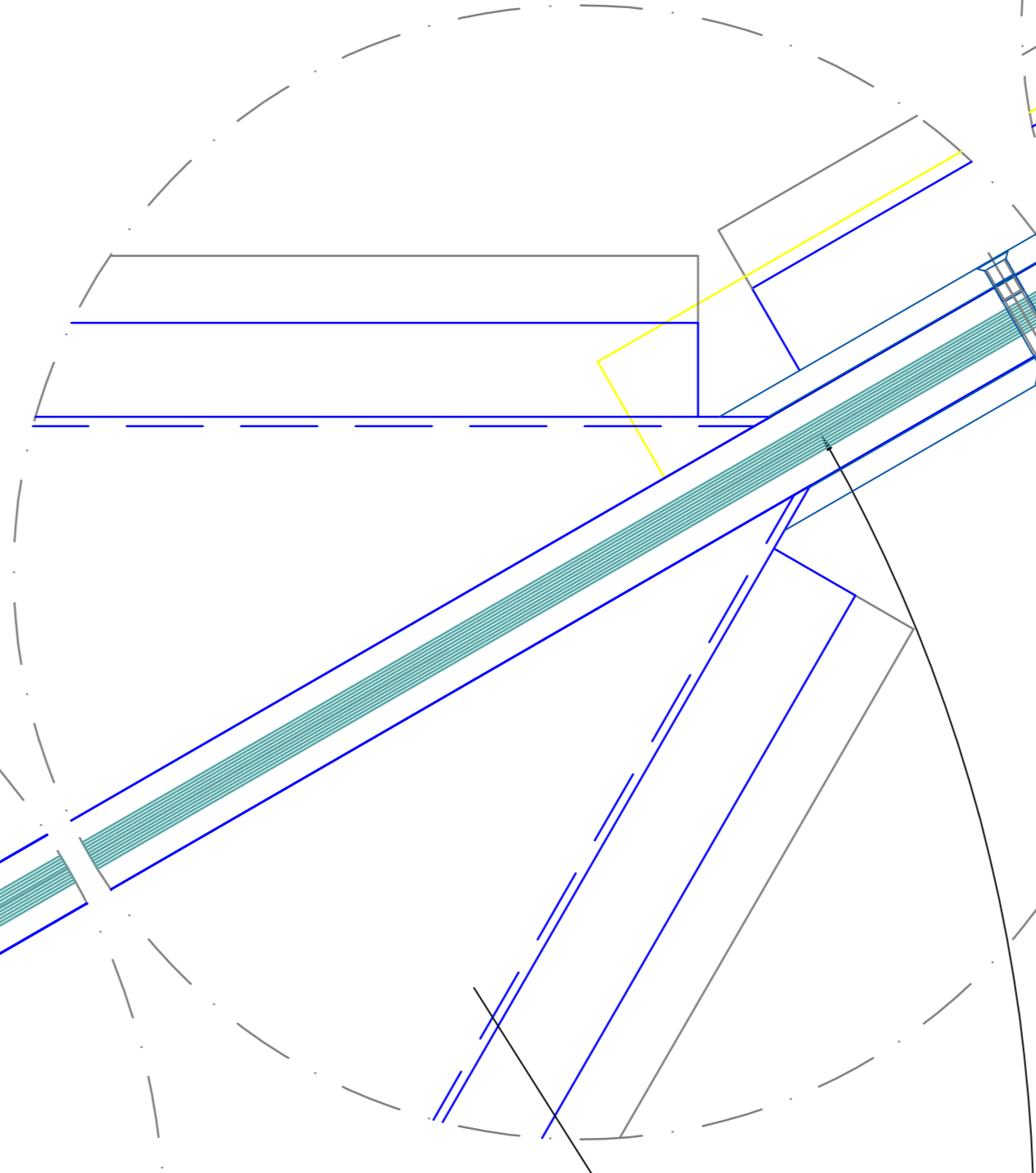
detail B



detail C

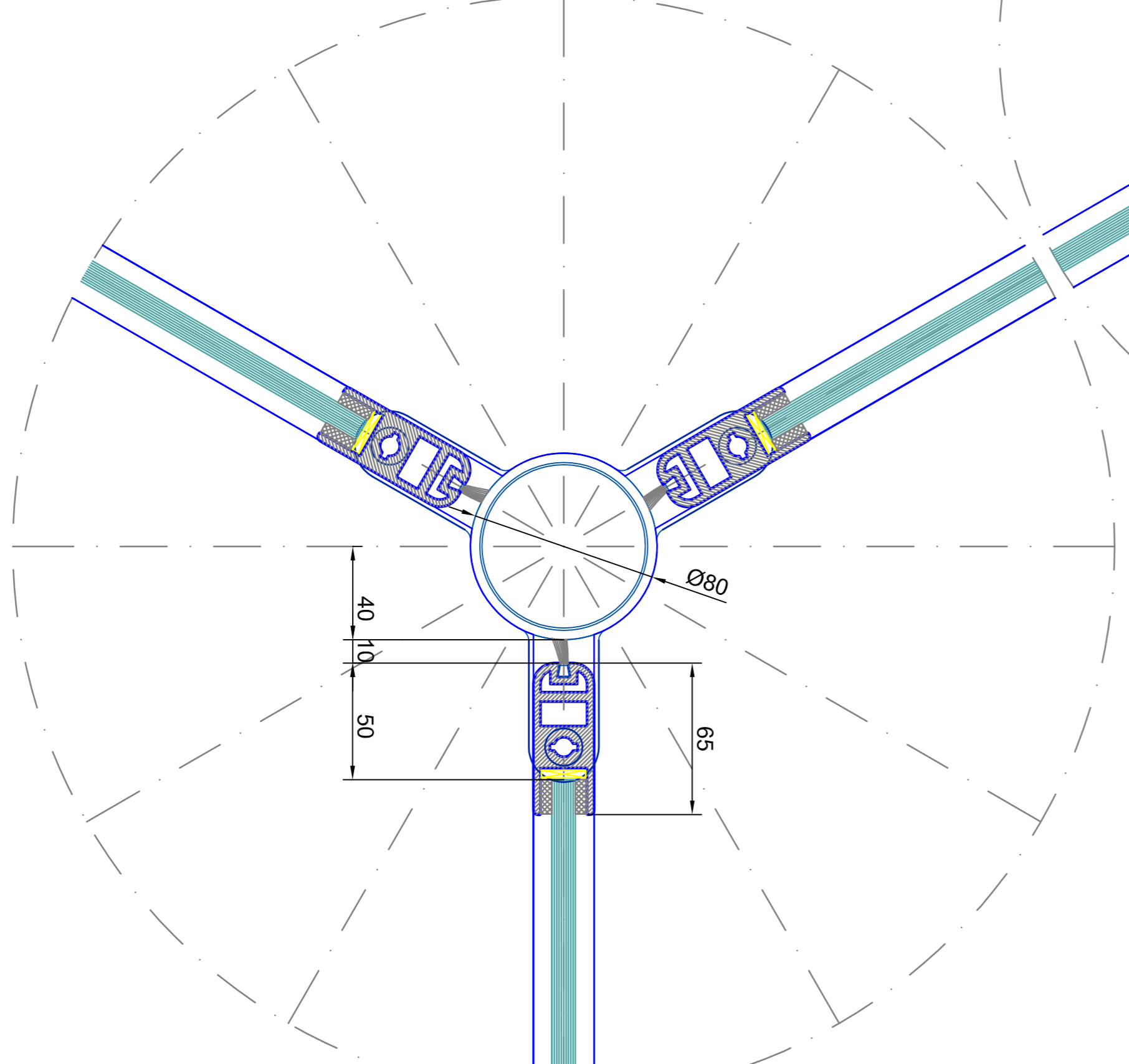
bar lock
locked from inside
profile-semicylinder 28mm
locking into the canopy

detail K

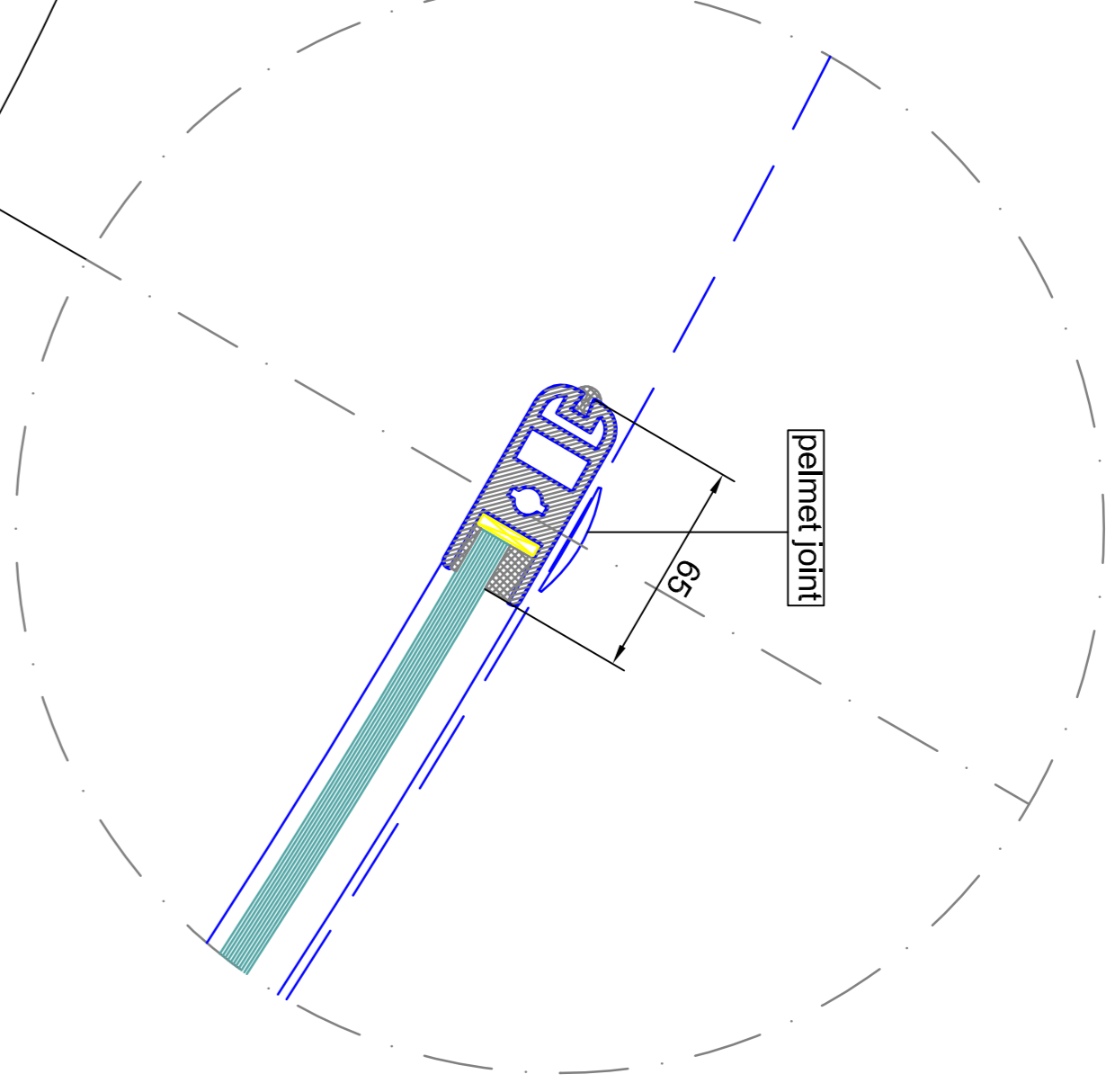


detail J

turnstile reinforcement
covering



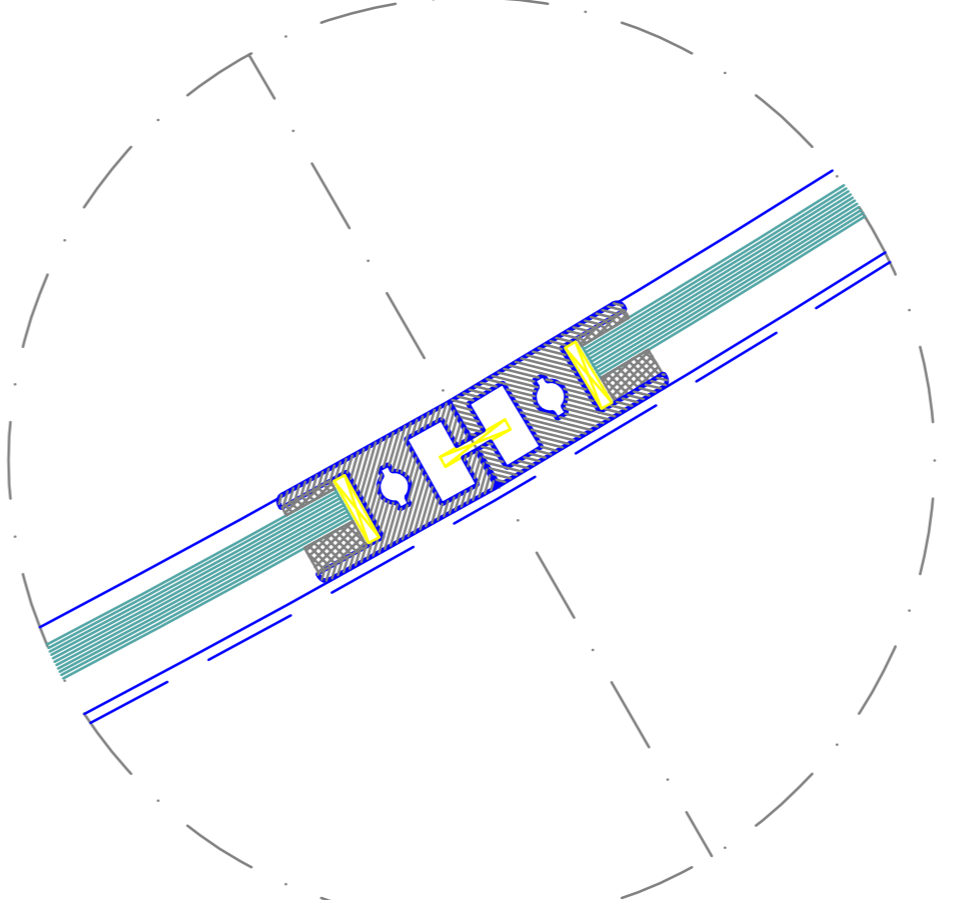
detail I



detail D

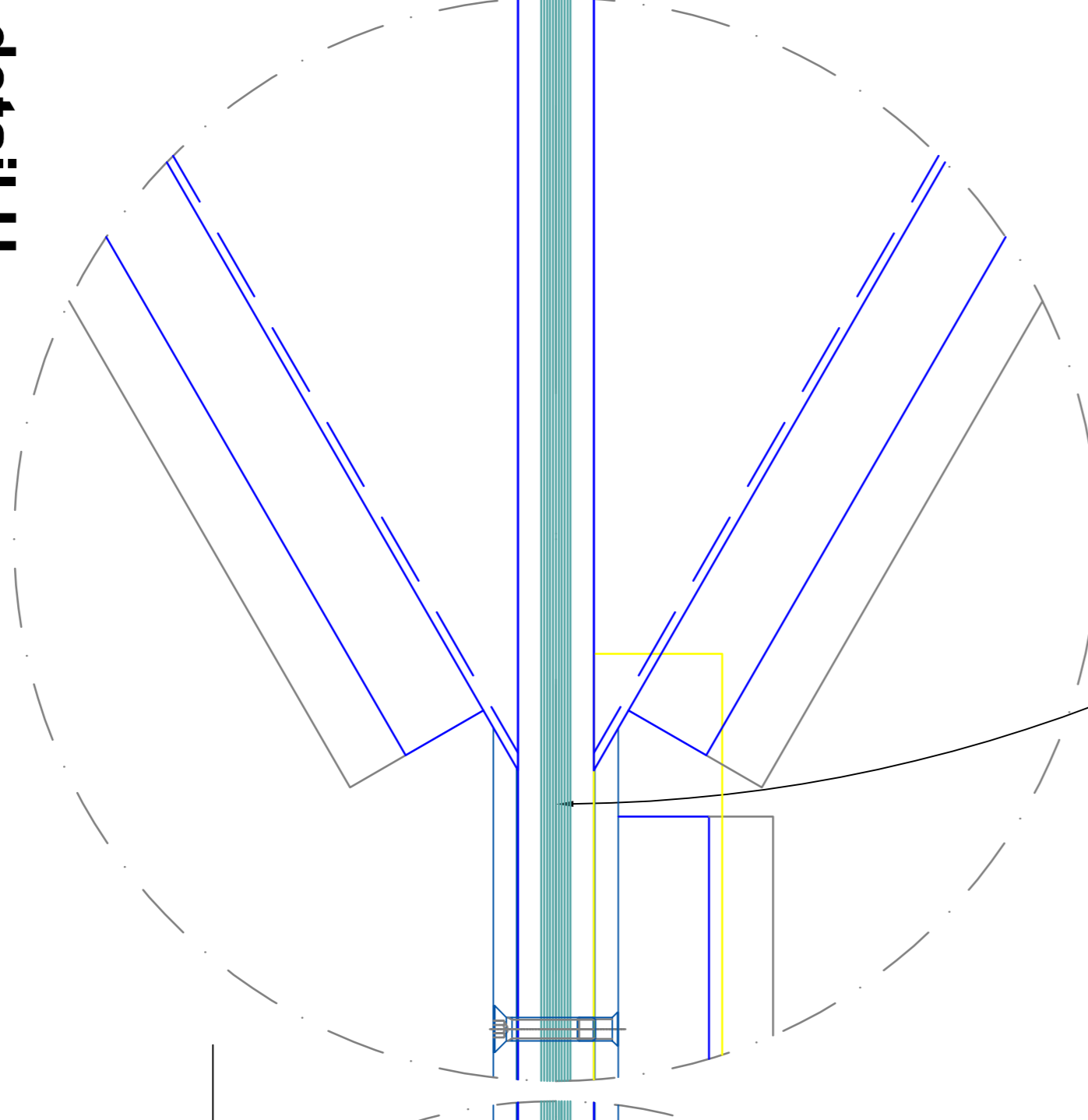
pinnet joint

detail E

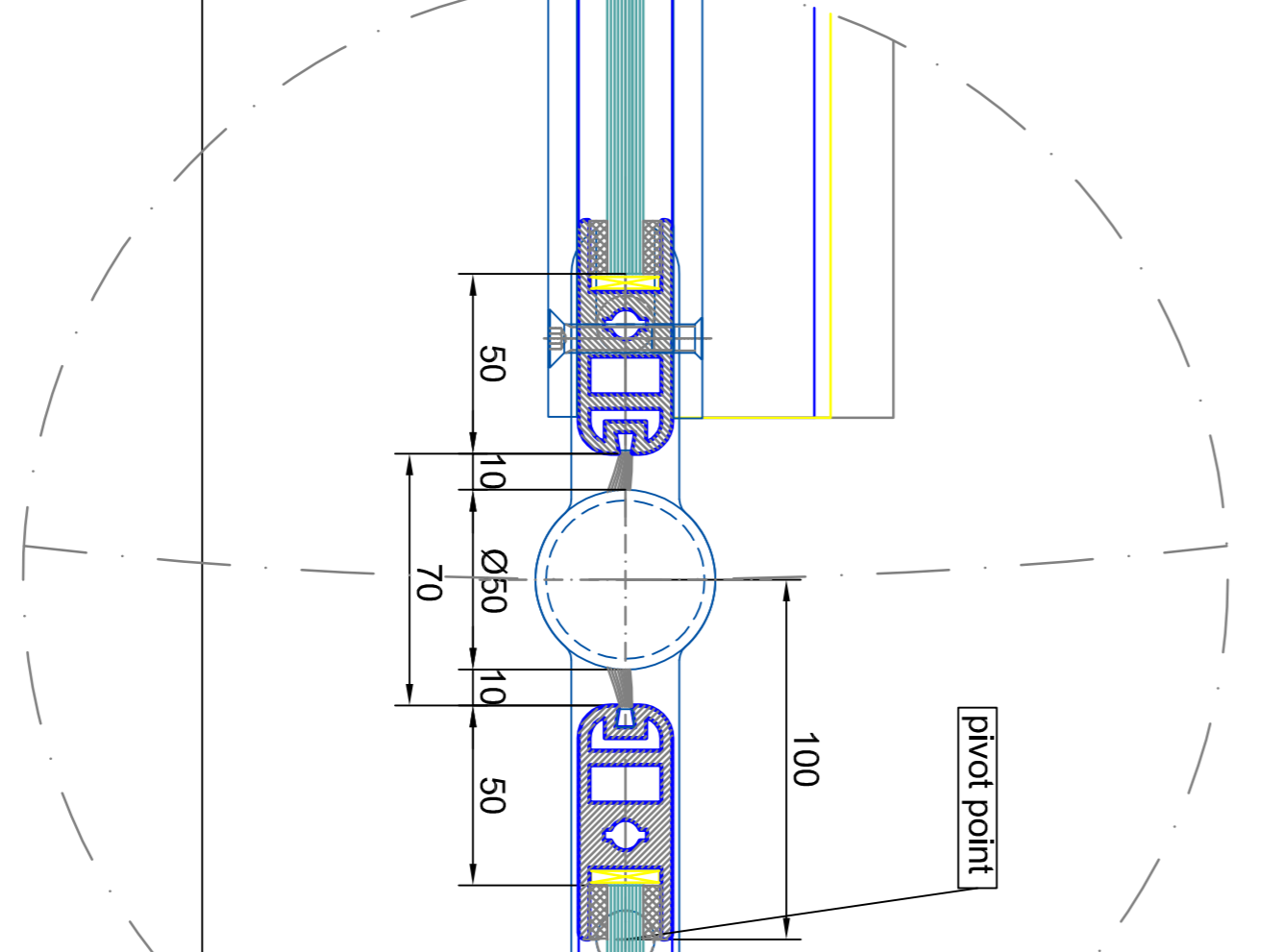


detail F

bar lock
locked from inside
profile-semicylinder 28mm
locking into the canopy



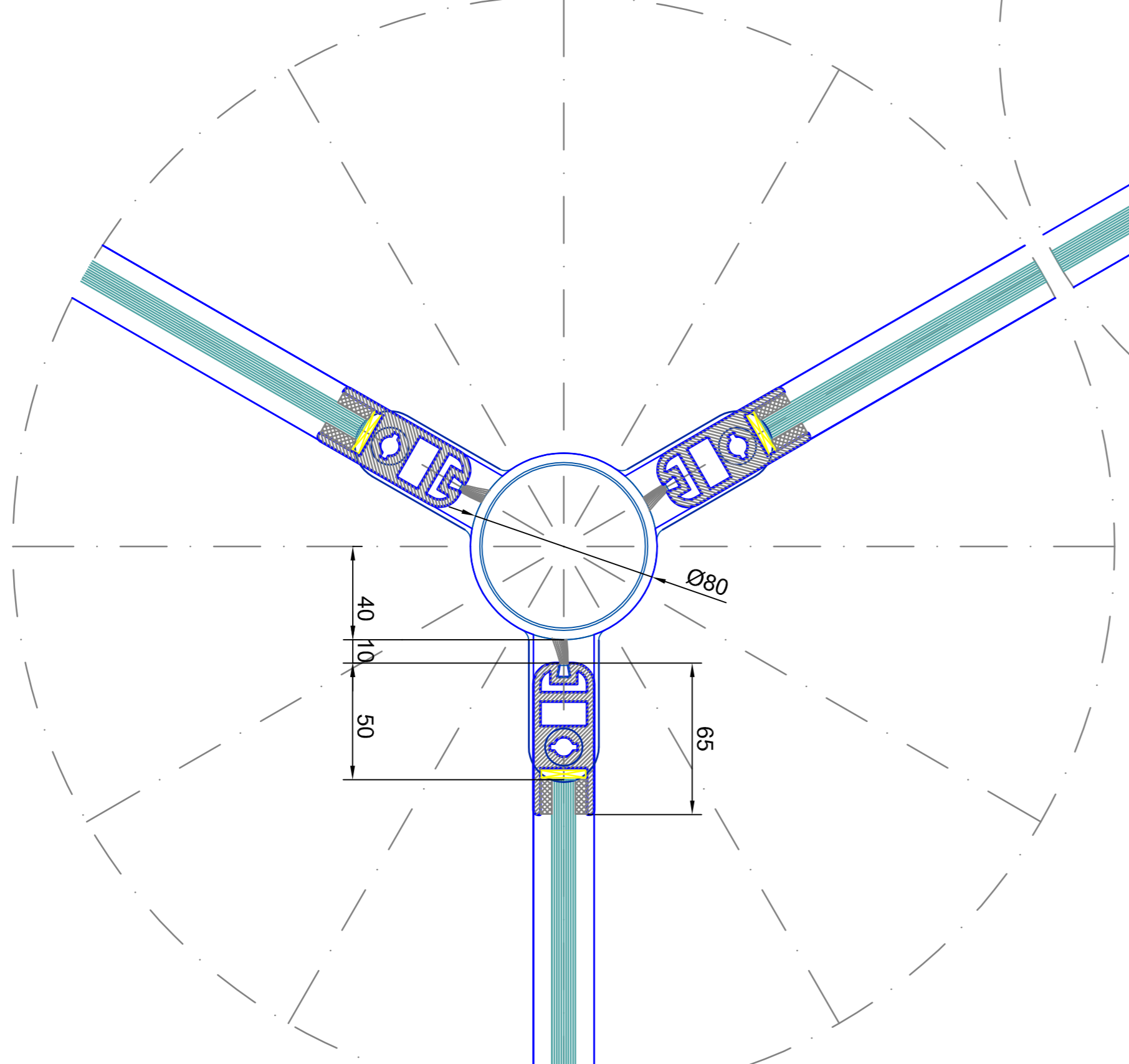
detail H



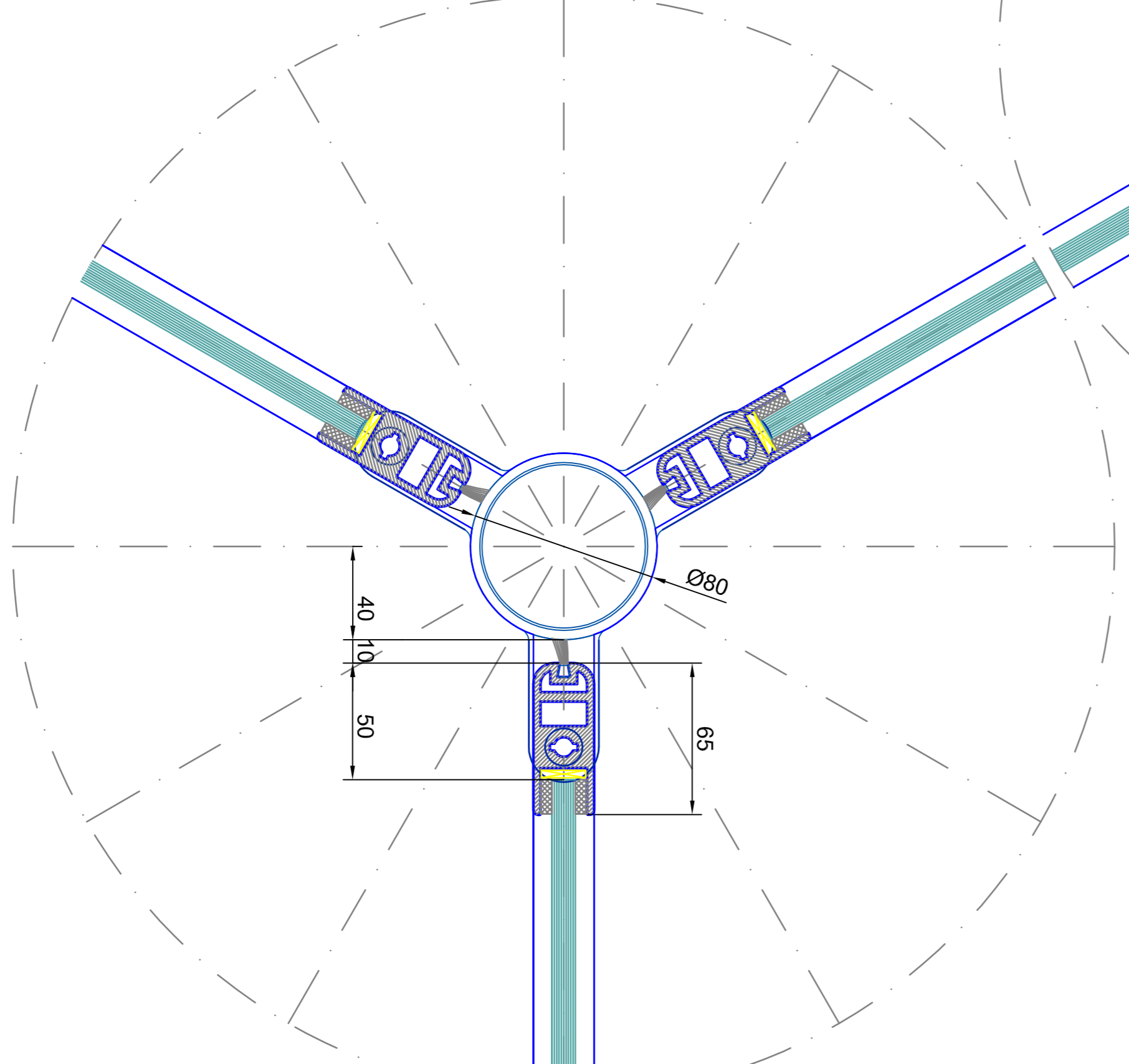
detail G

pinnet joint

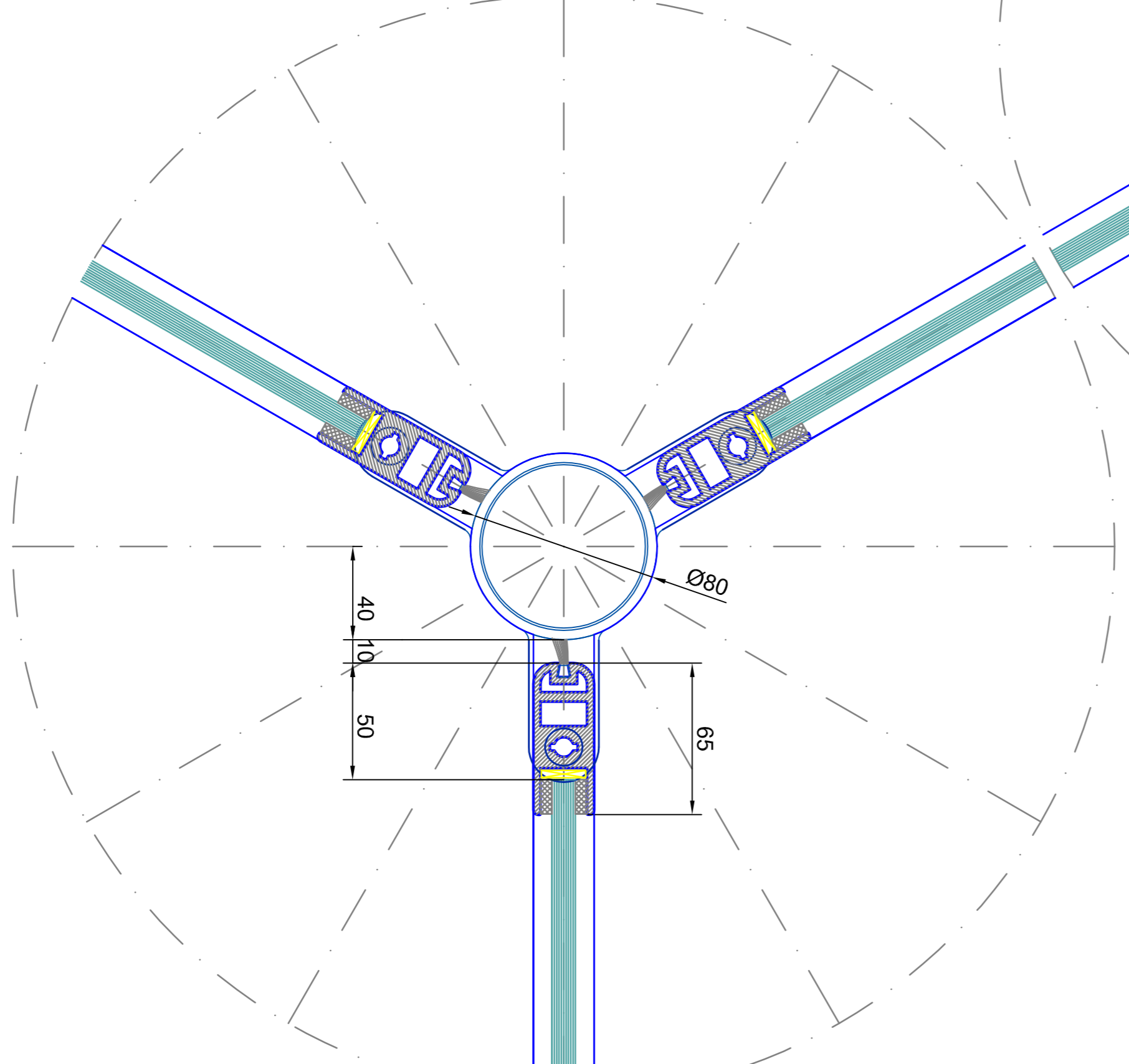
R3000 / Ø9000



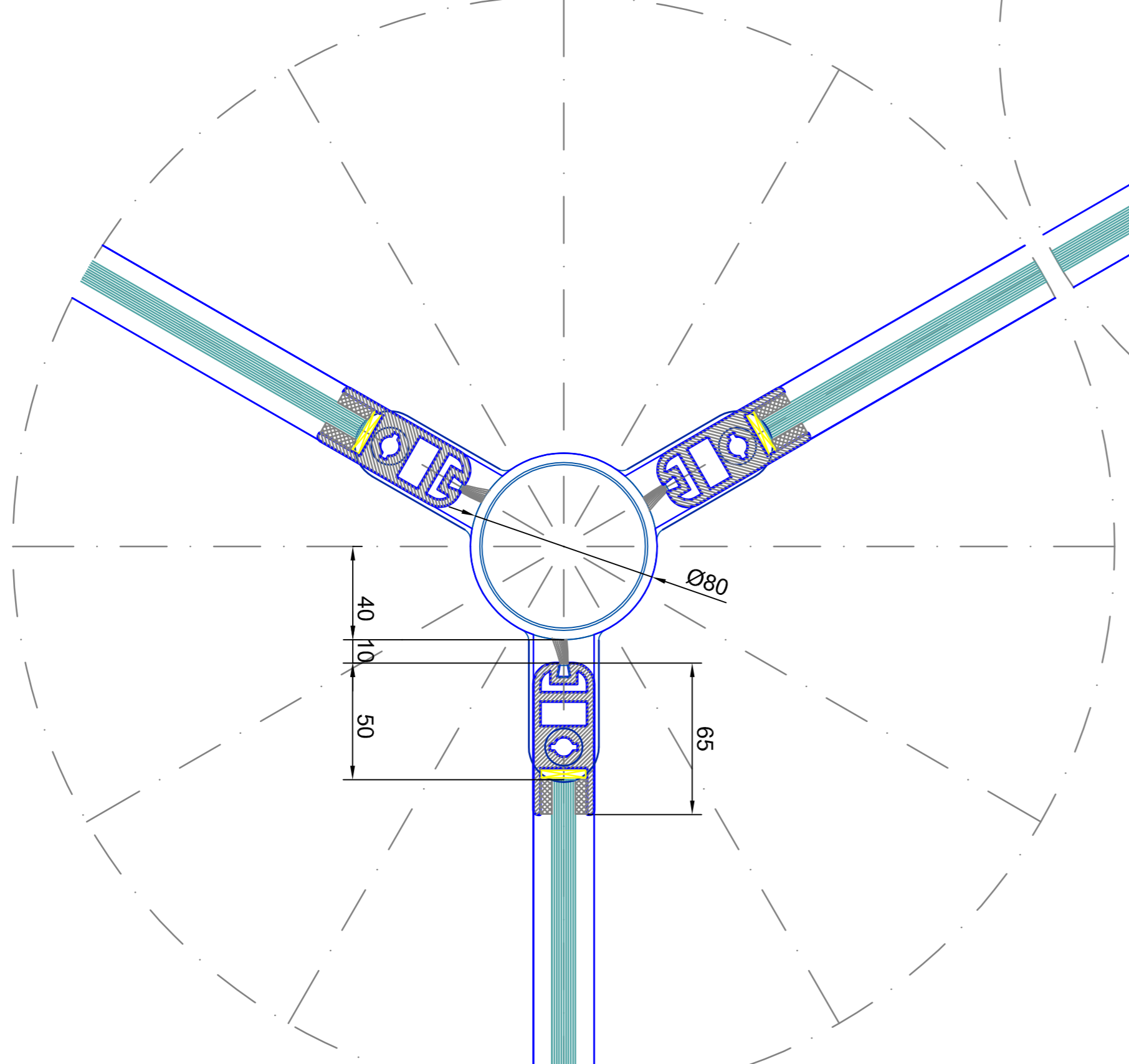
detail I



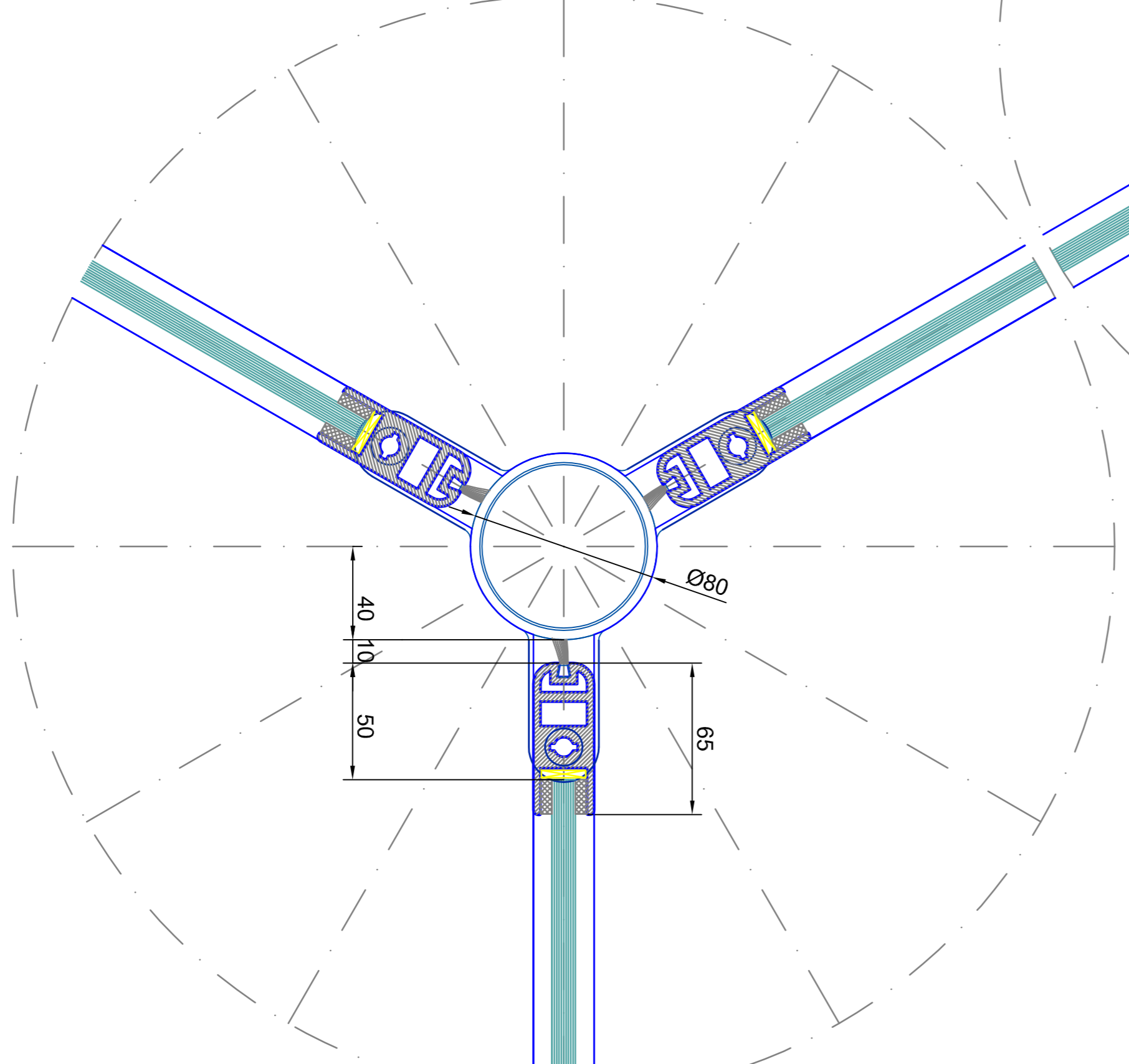
detail I



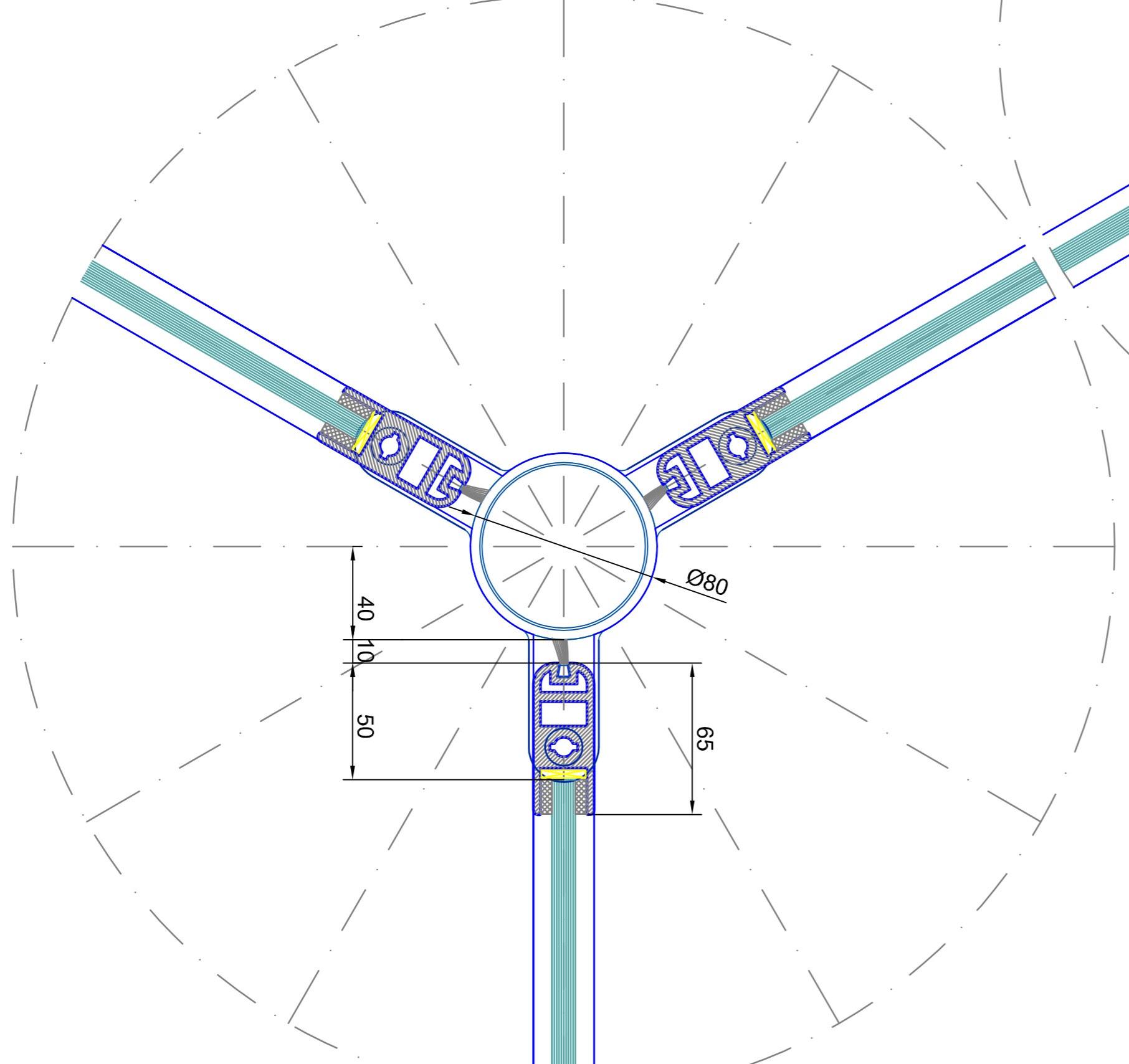
detail I



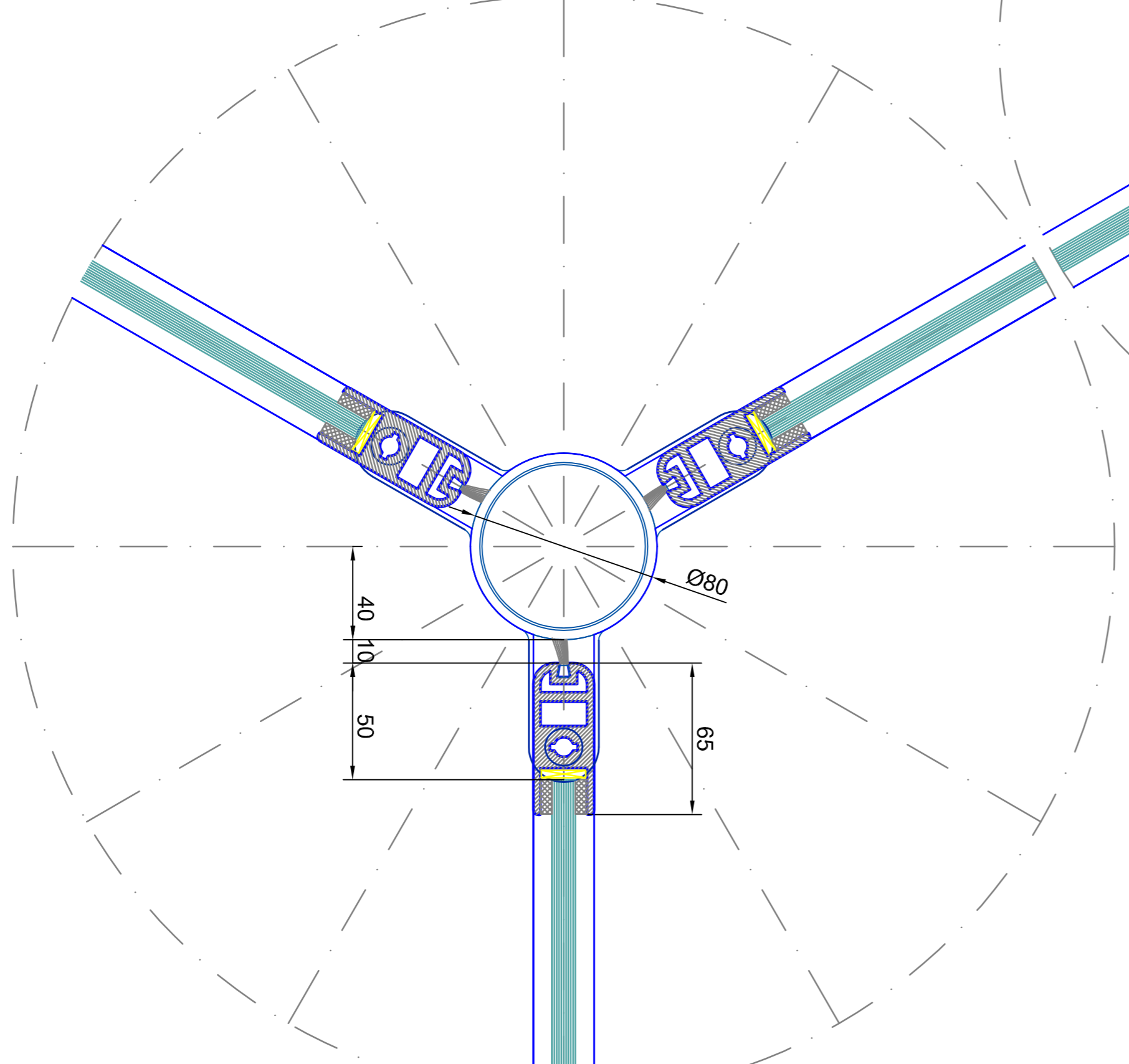
detail I



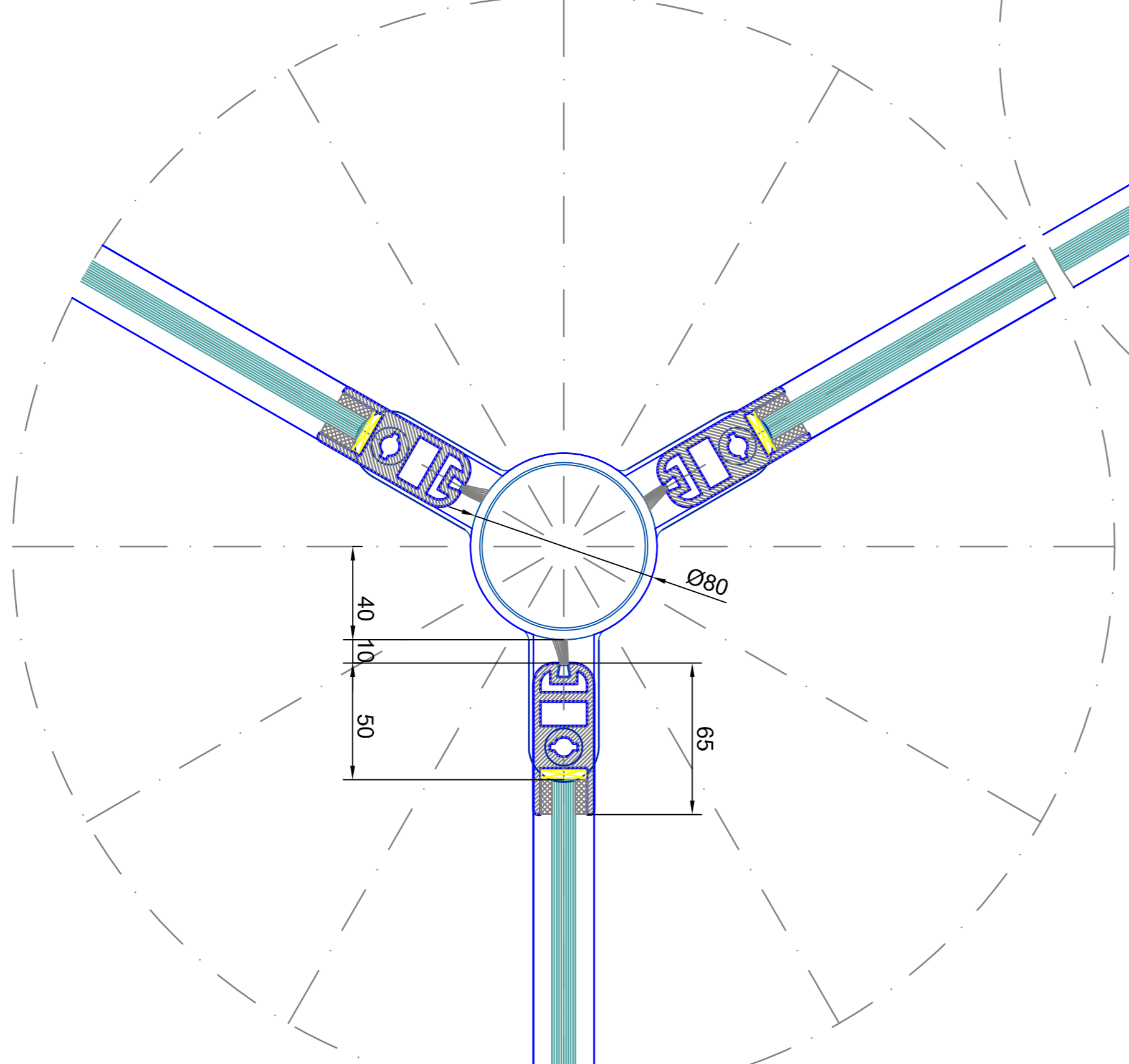
detail I



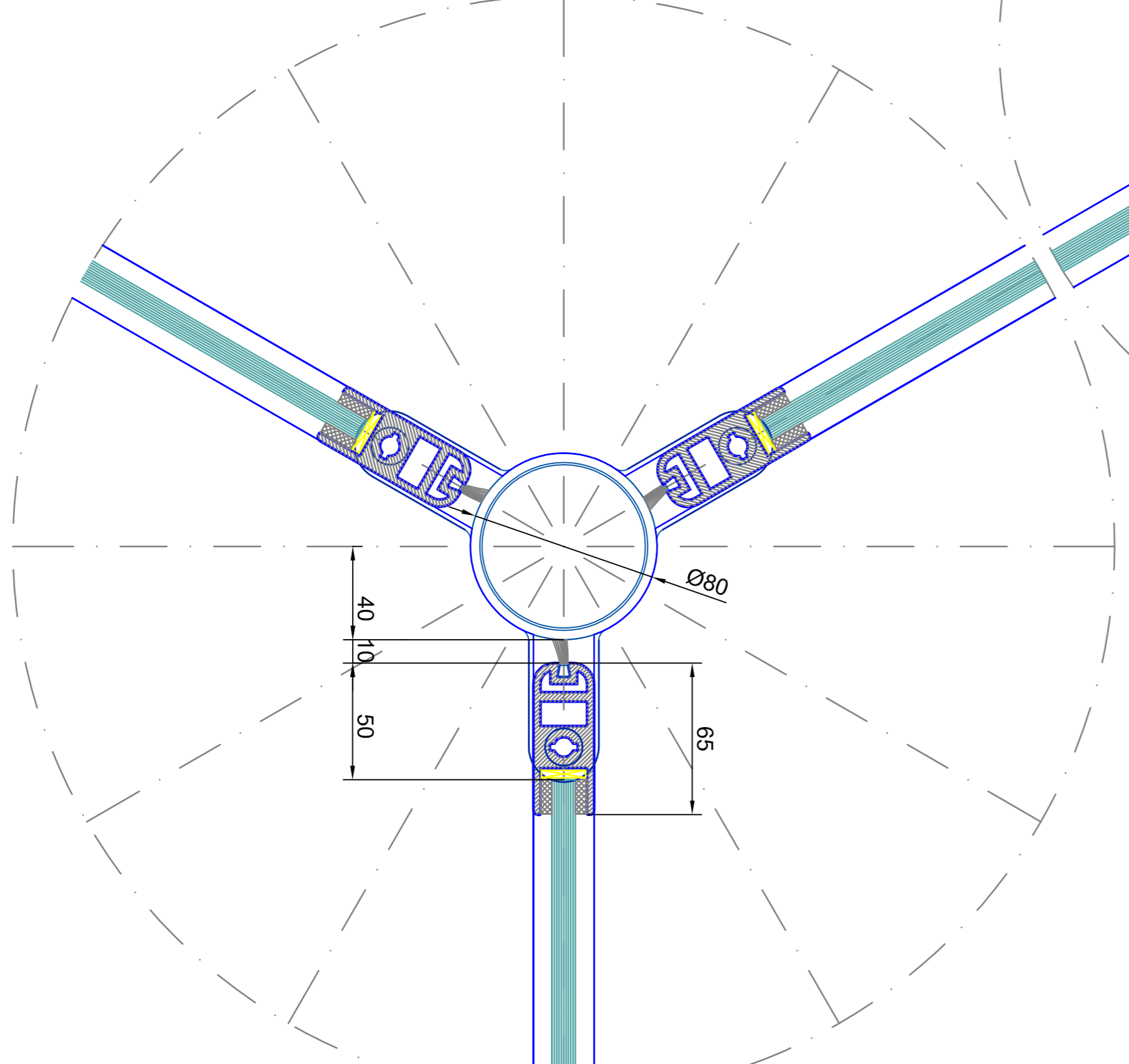
detail I



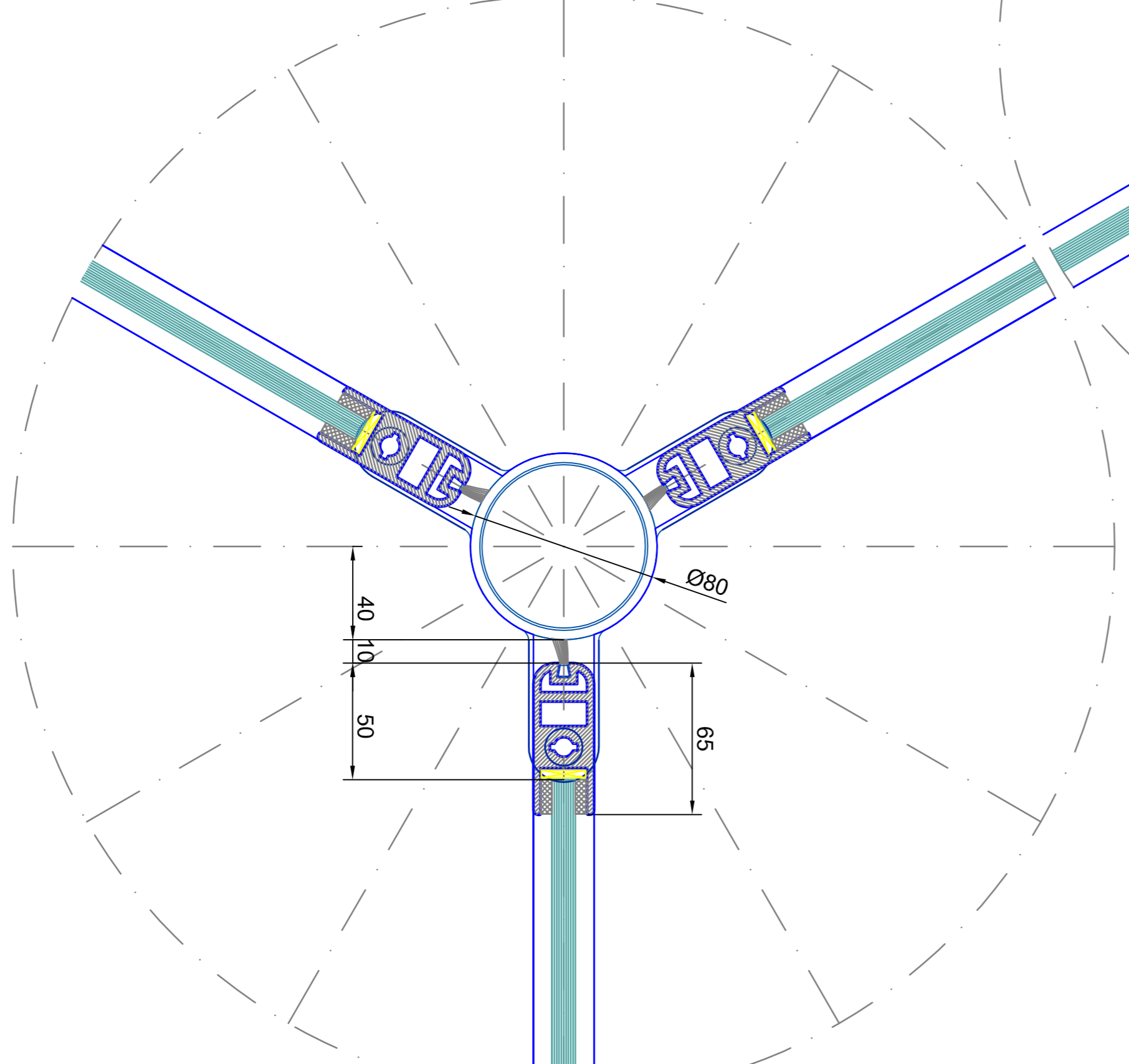
detail I



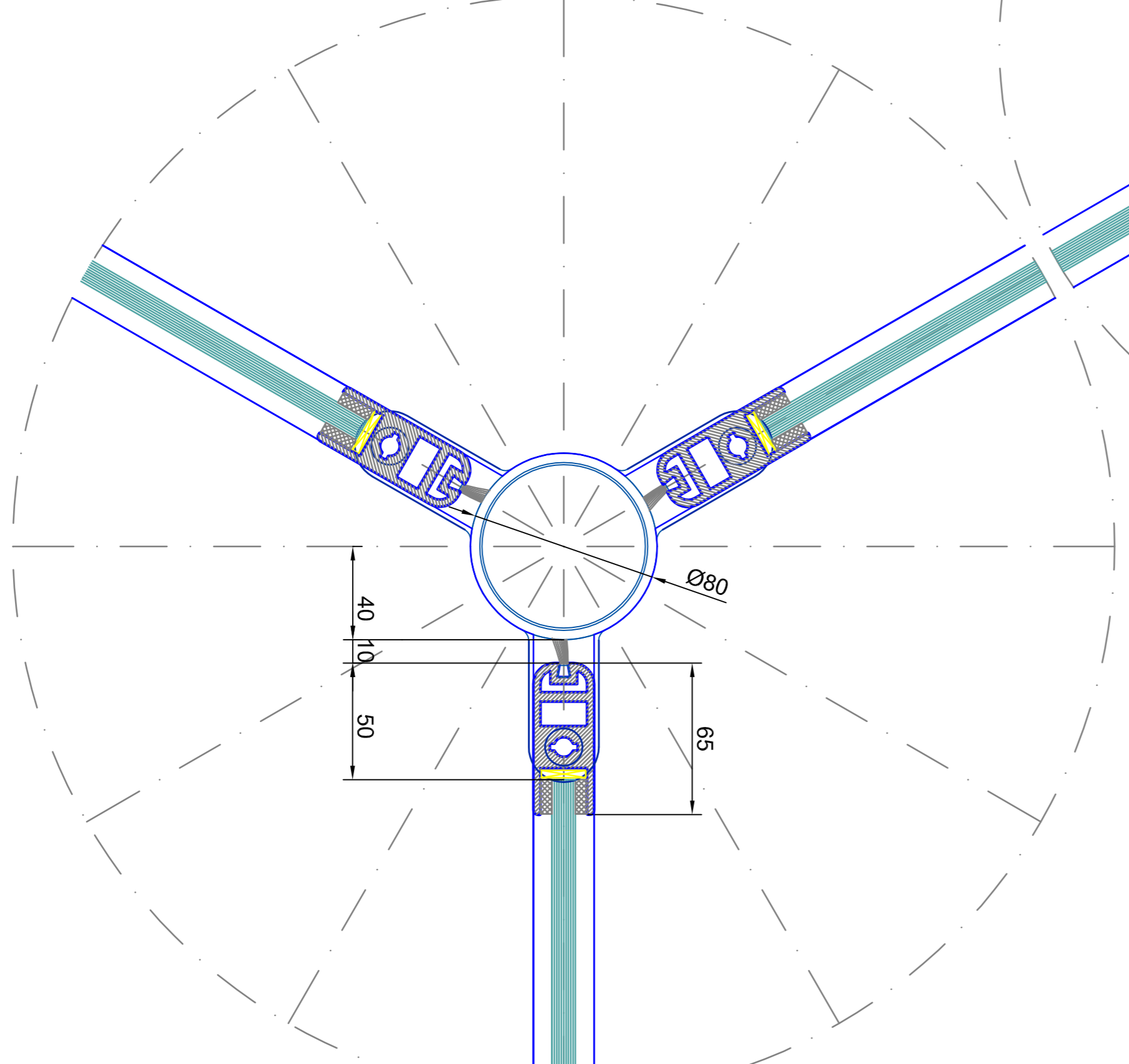
detail I



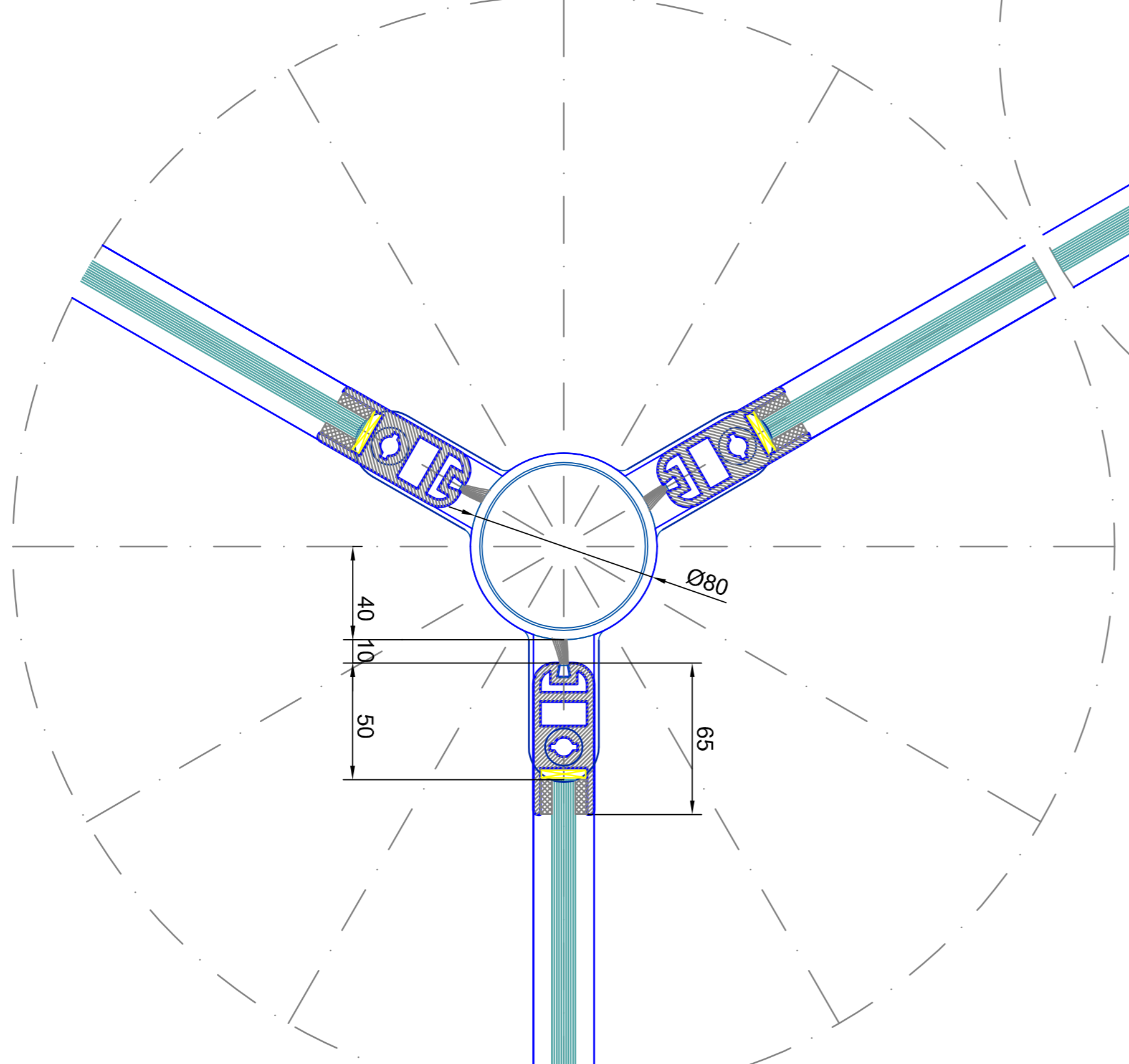
detail I



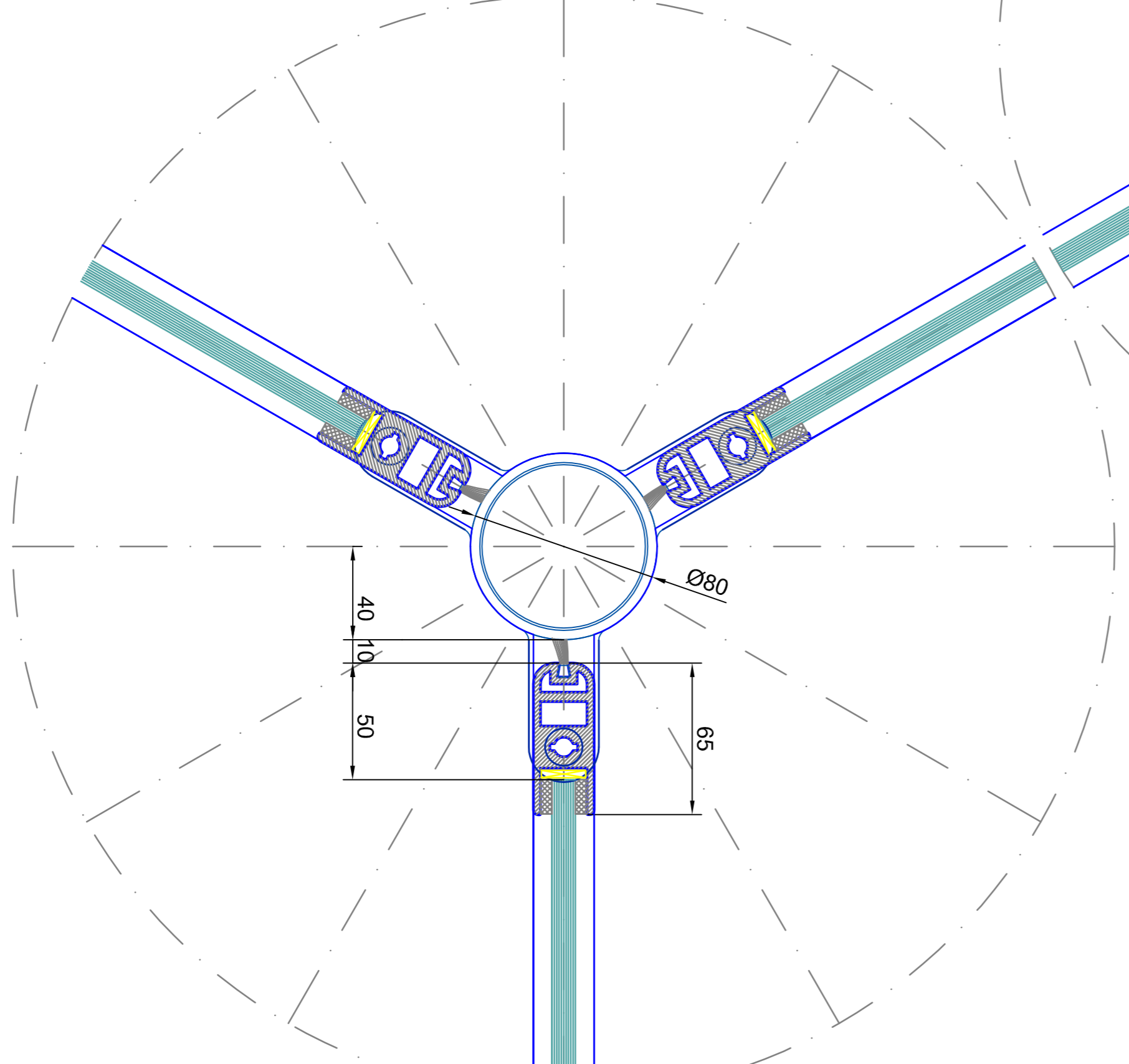
detail I



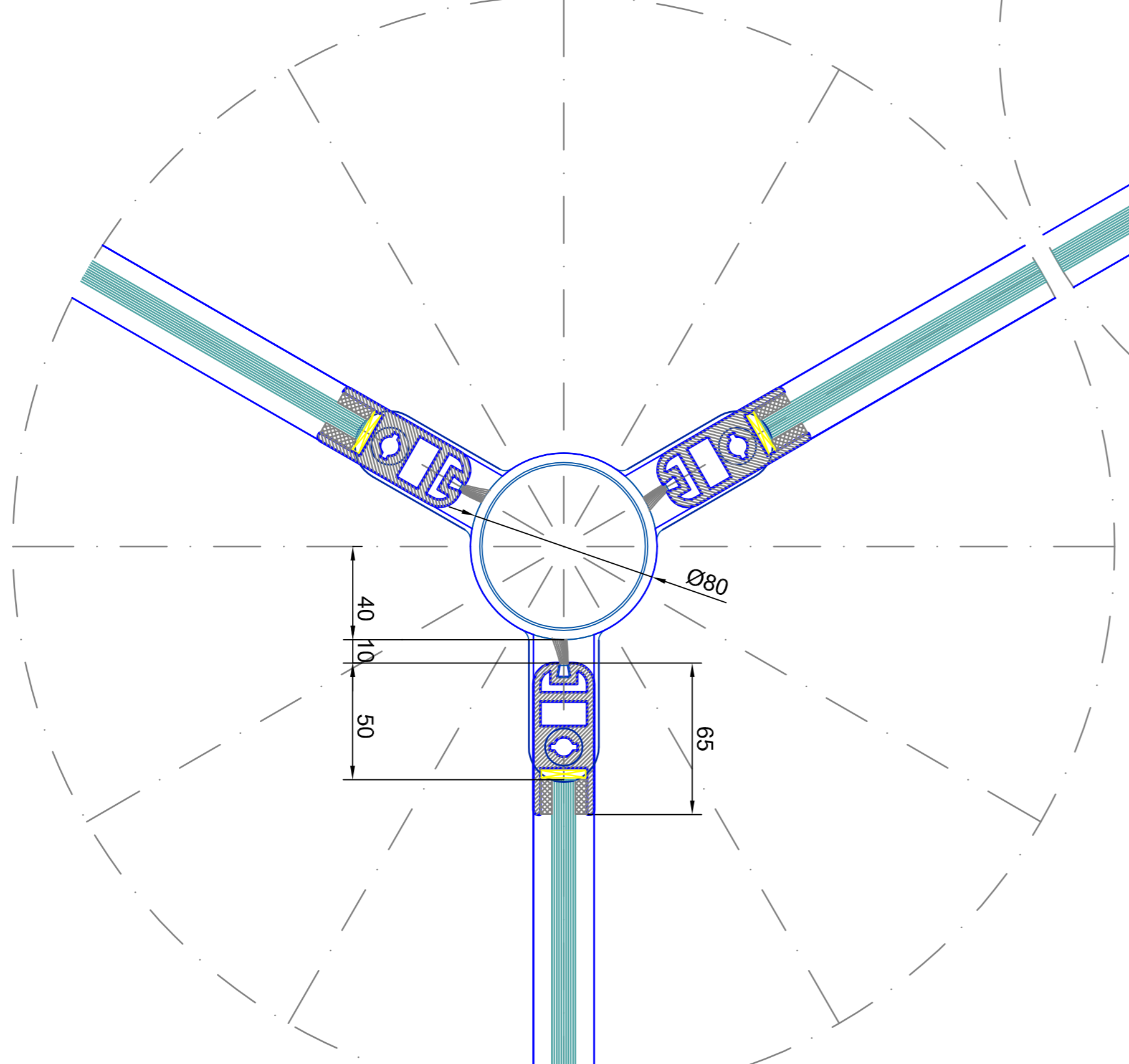
detail I



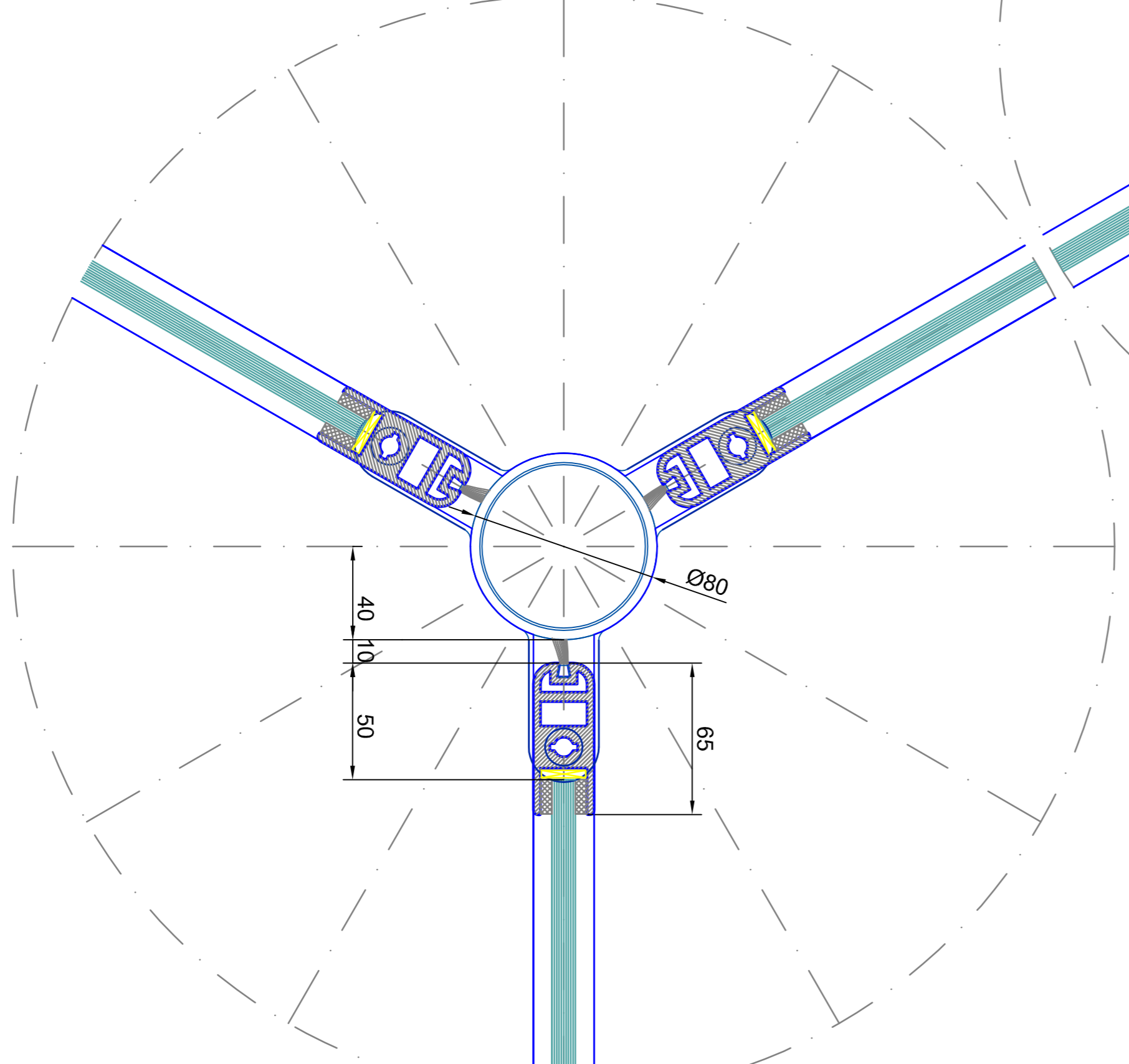
detail I



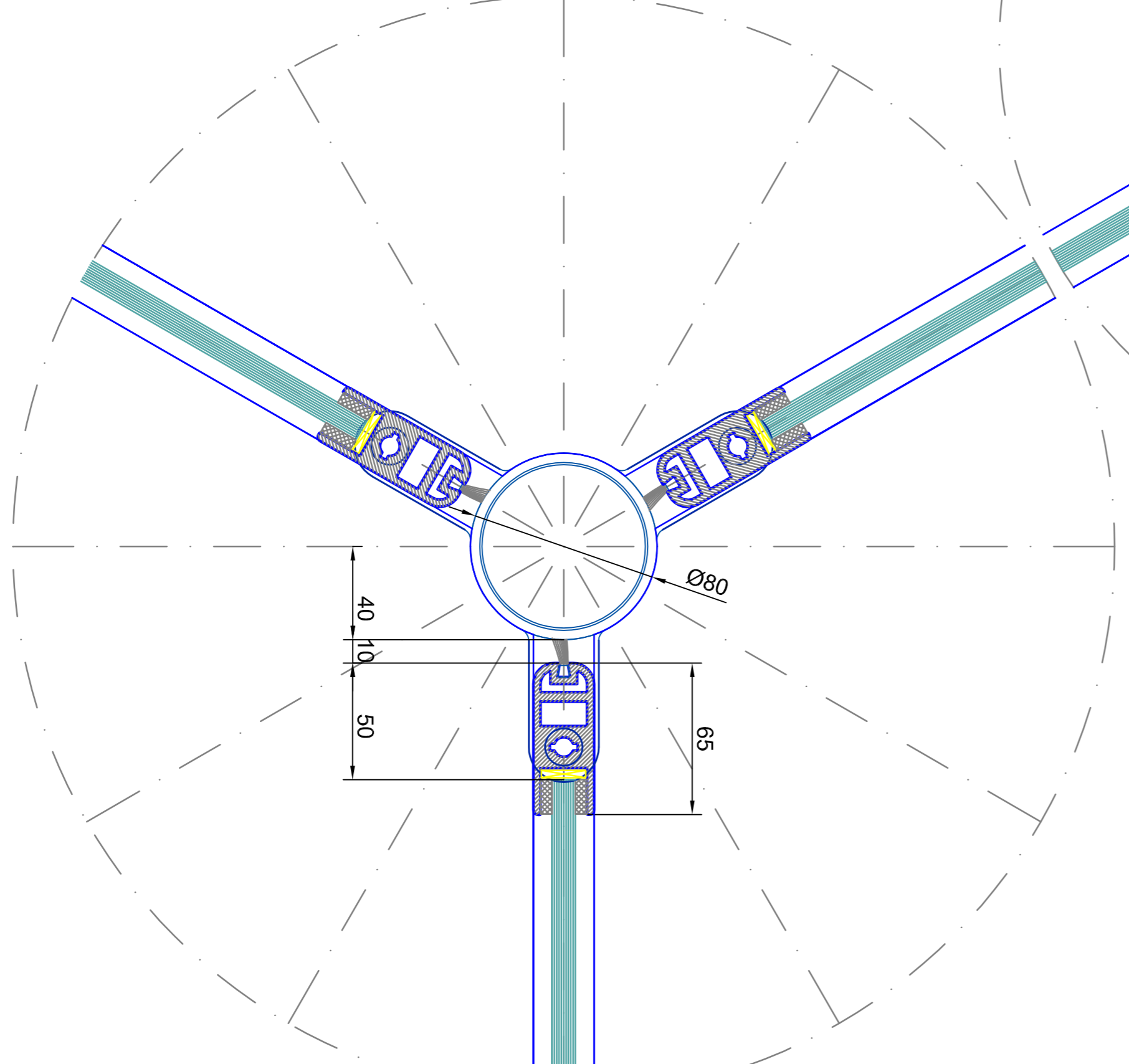
detail I



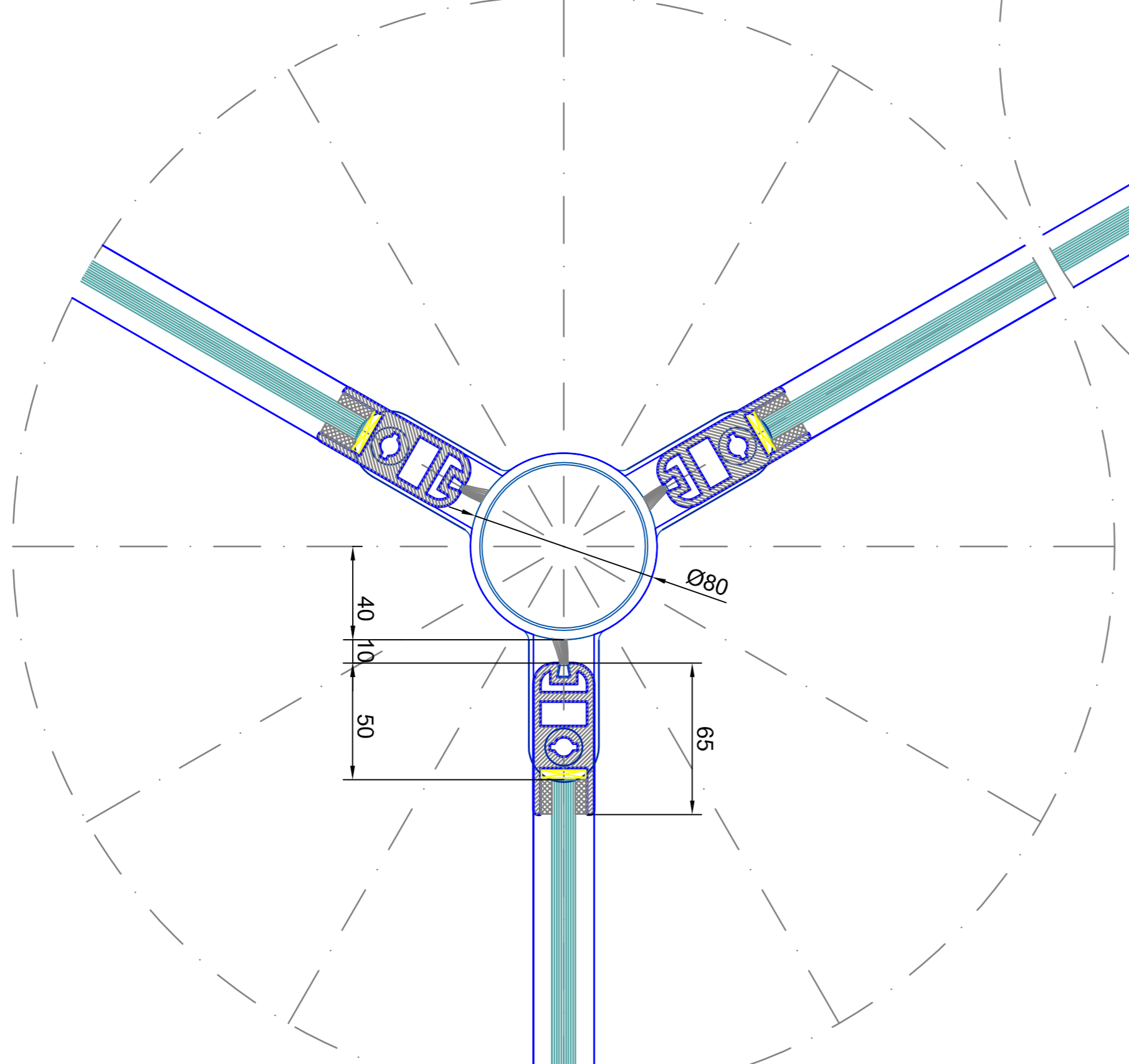
detail I



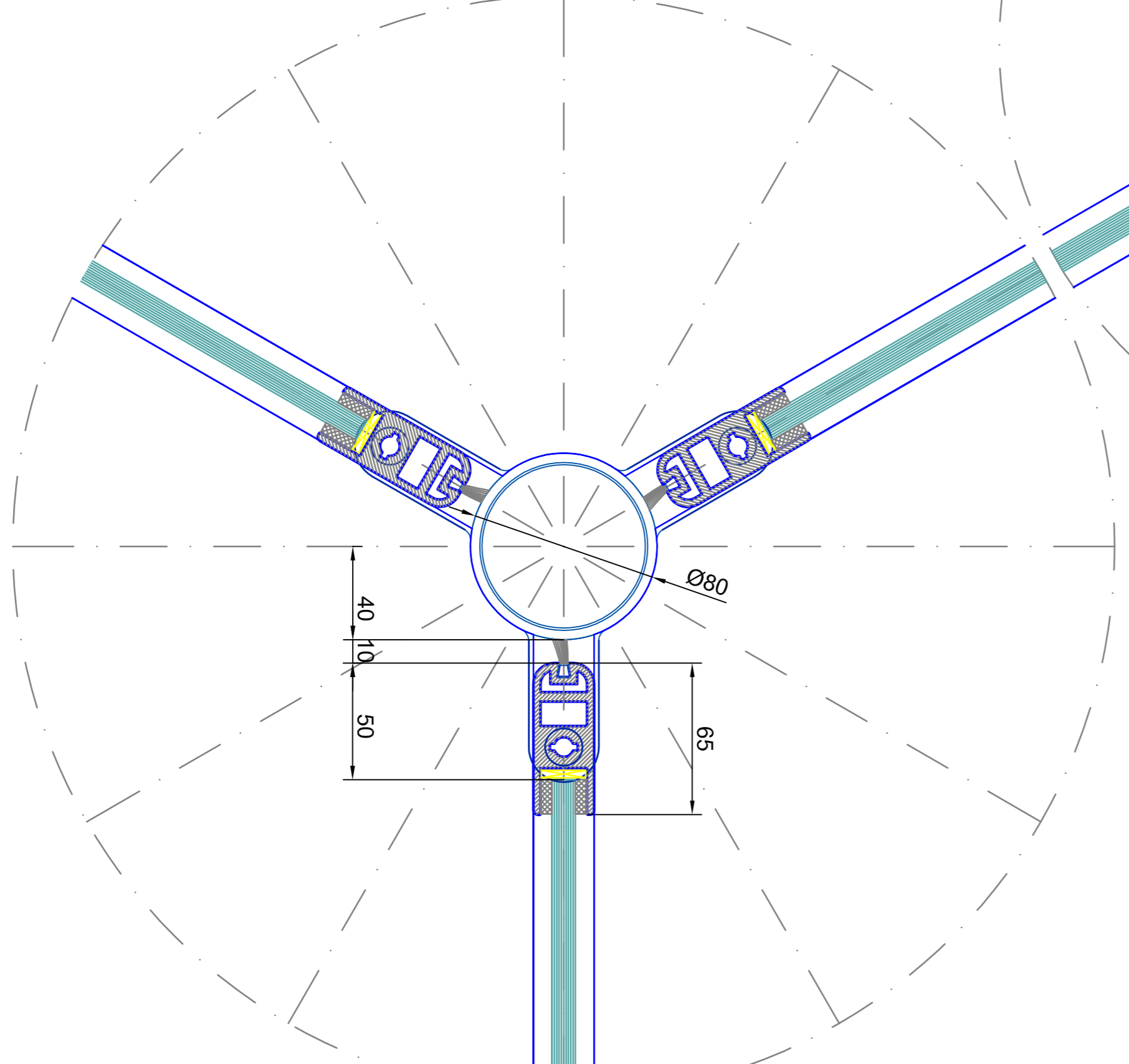
detail I



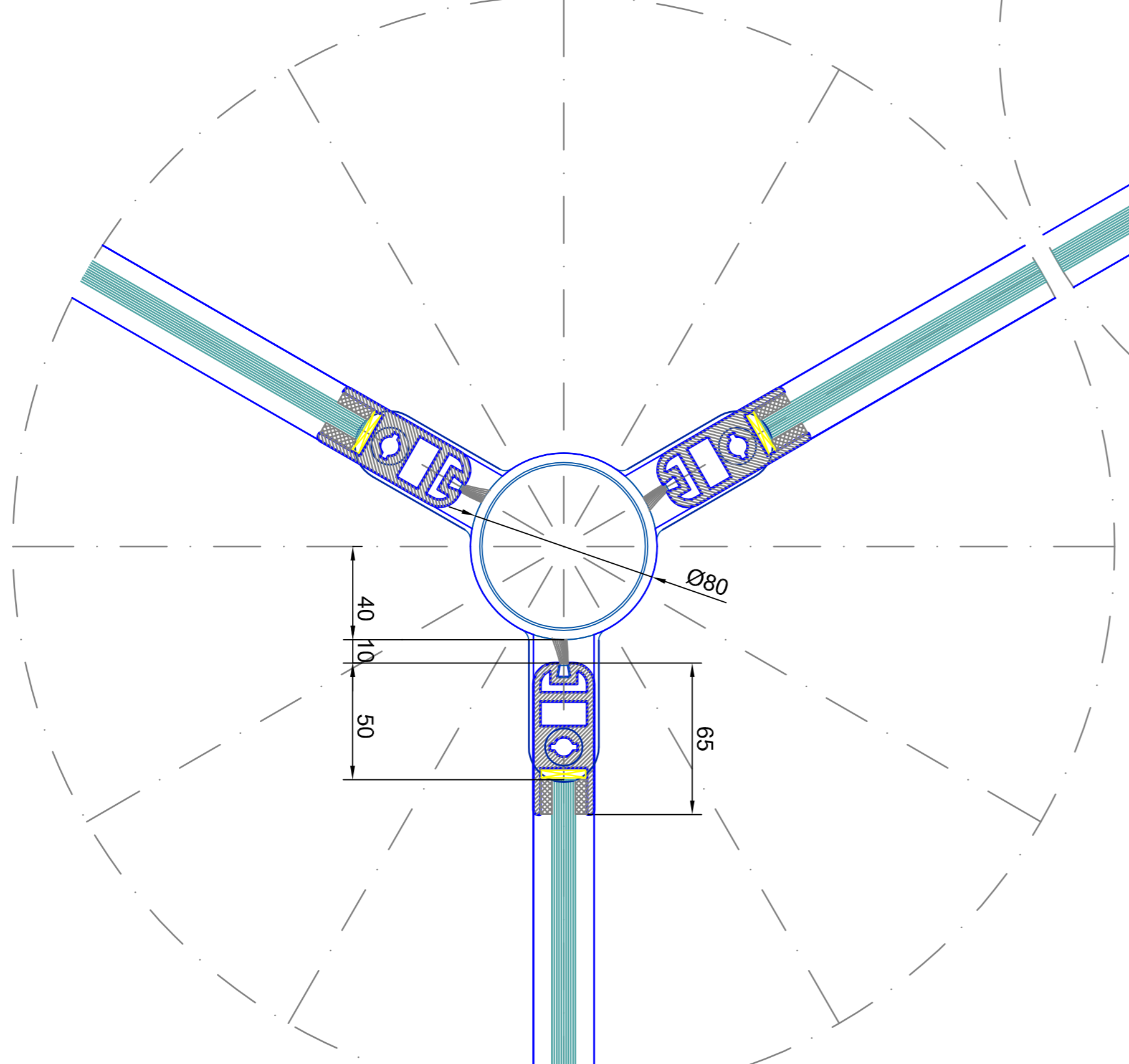
detail I



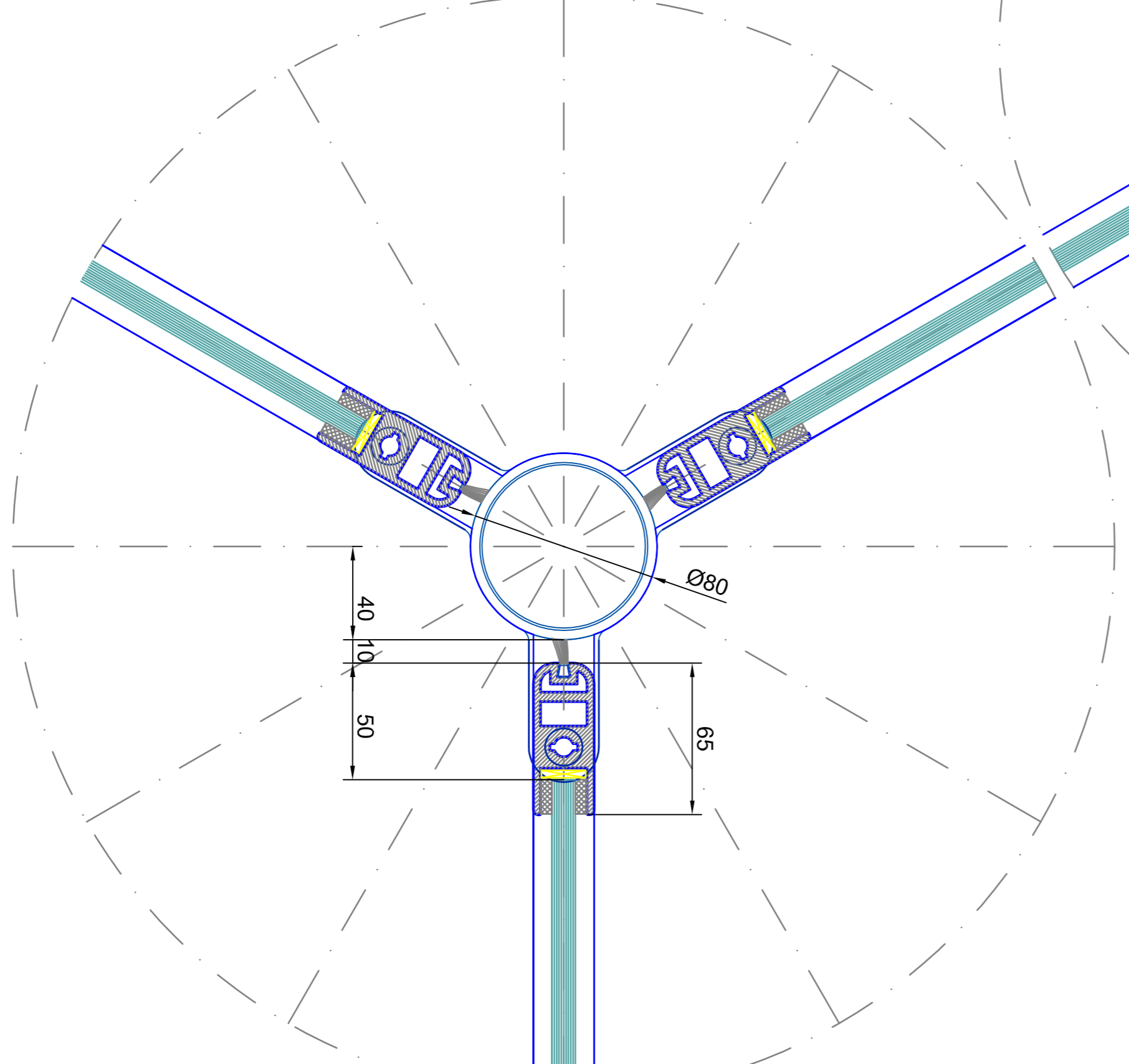
detail I



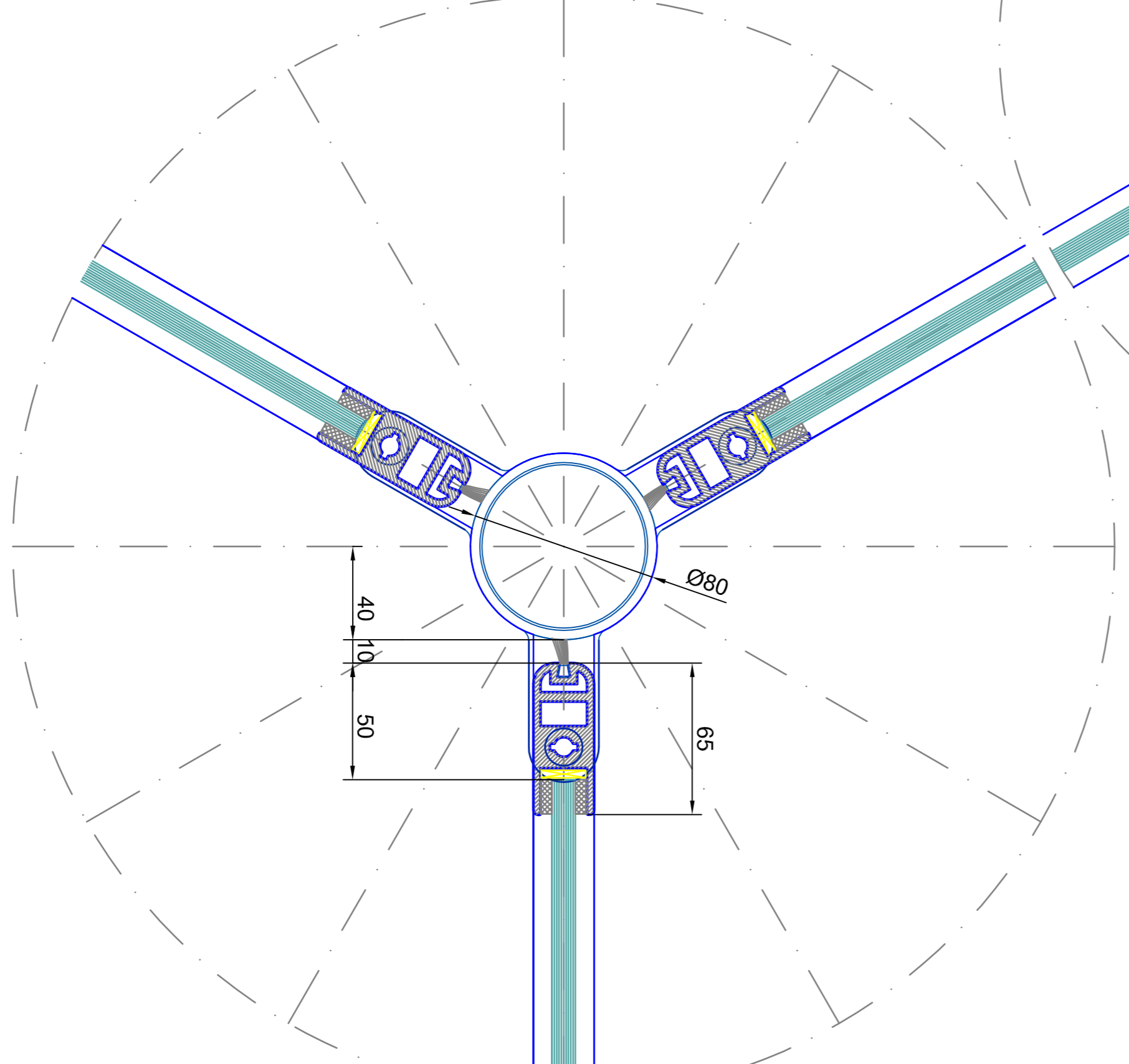
detail I



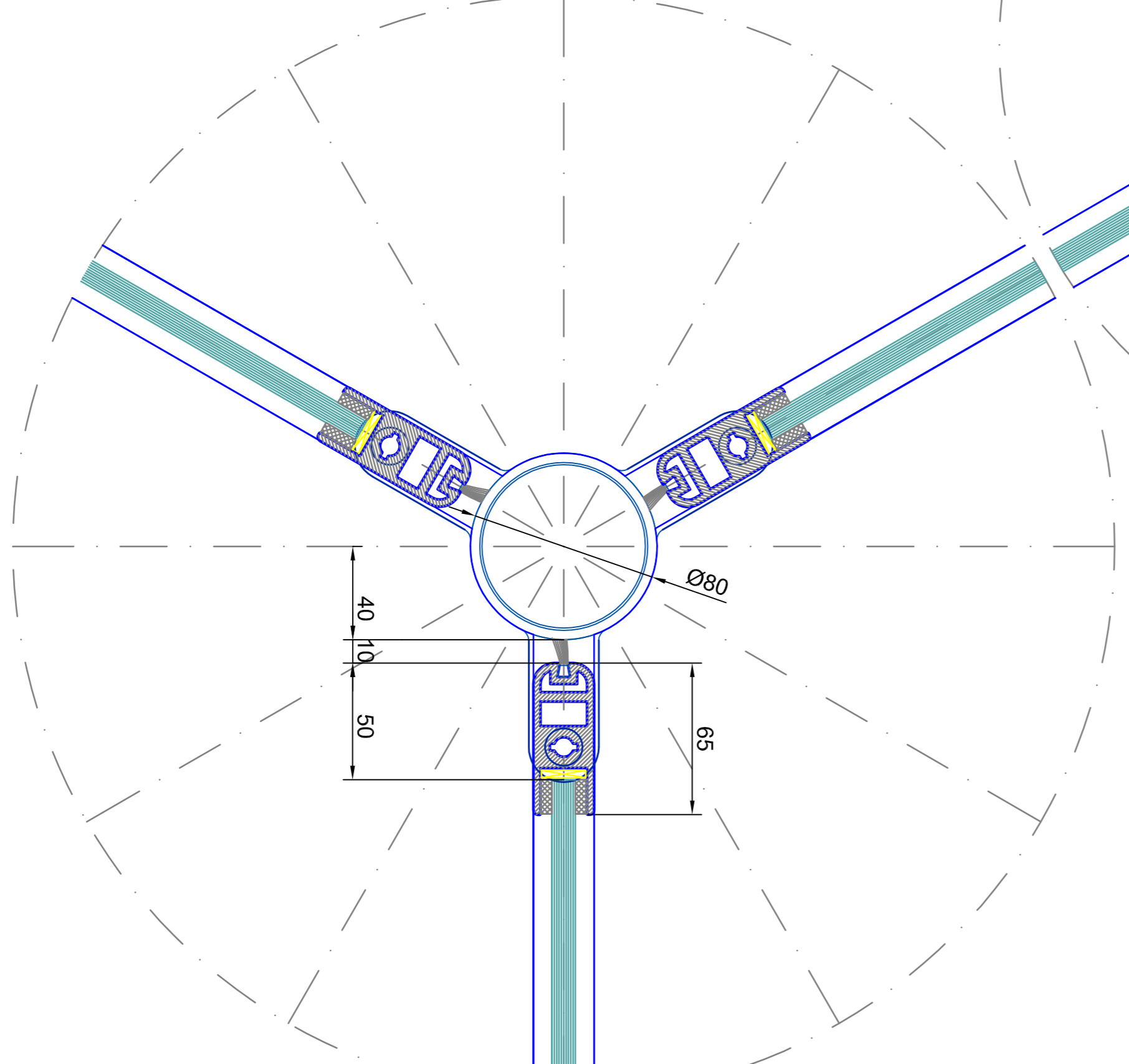
detail I



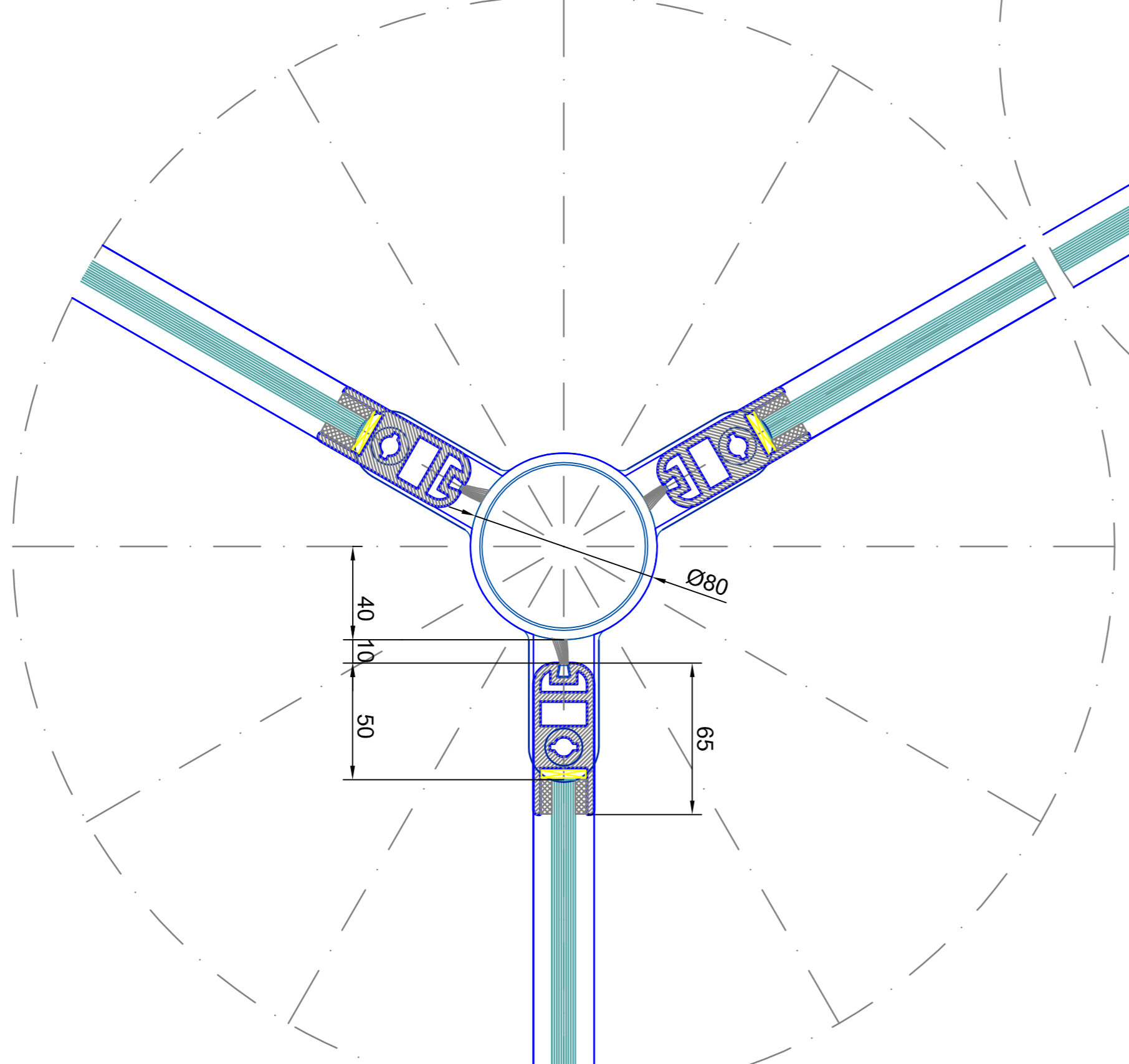
detail I



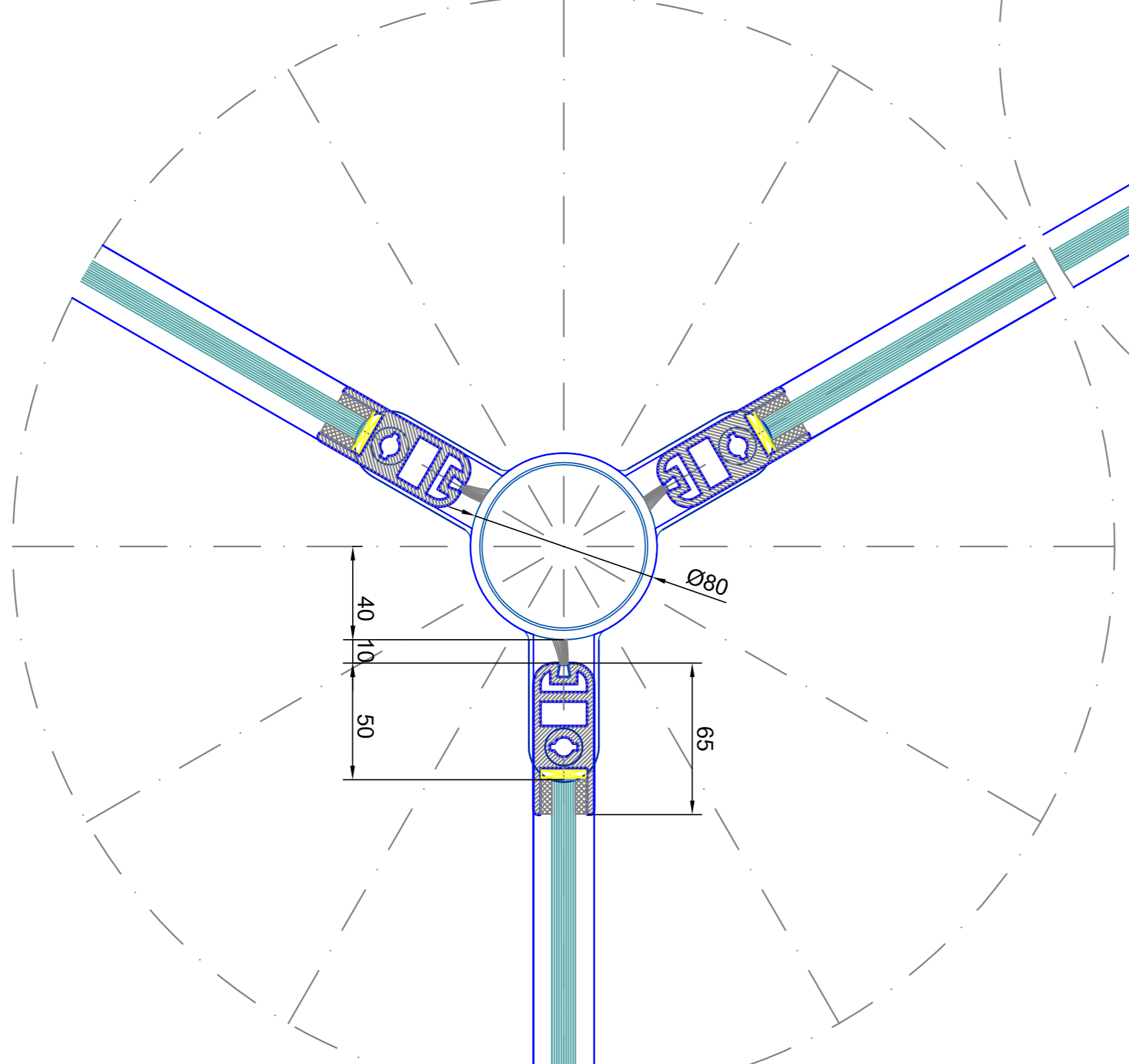
detail I



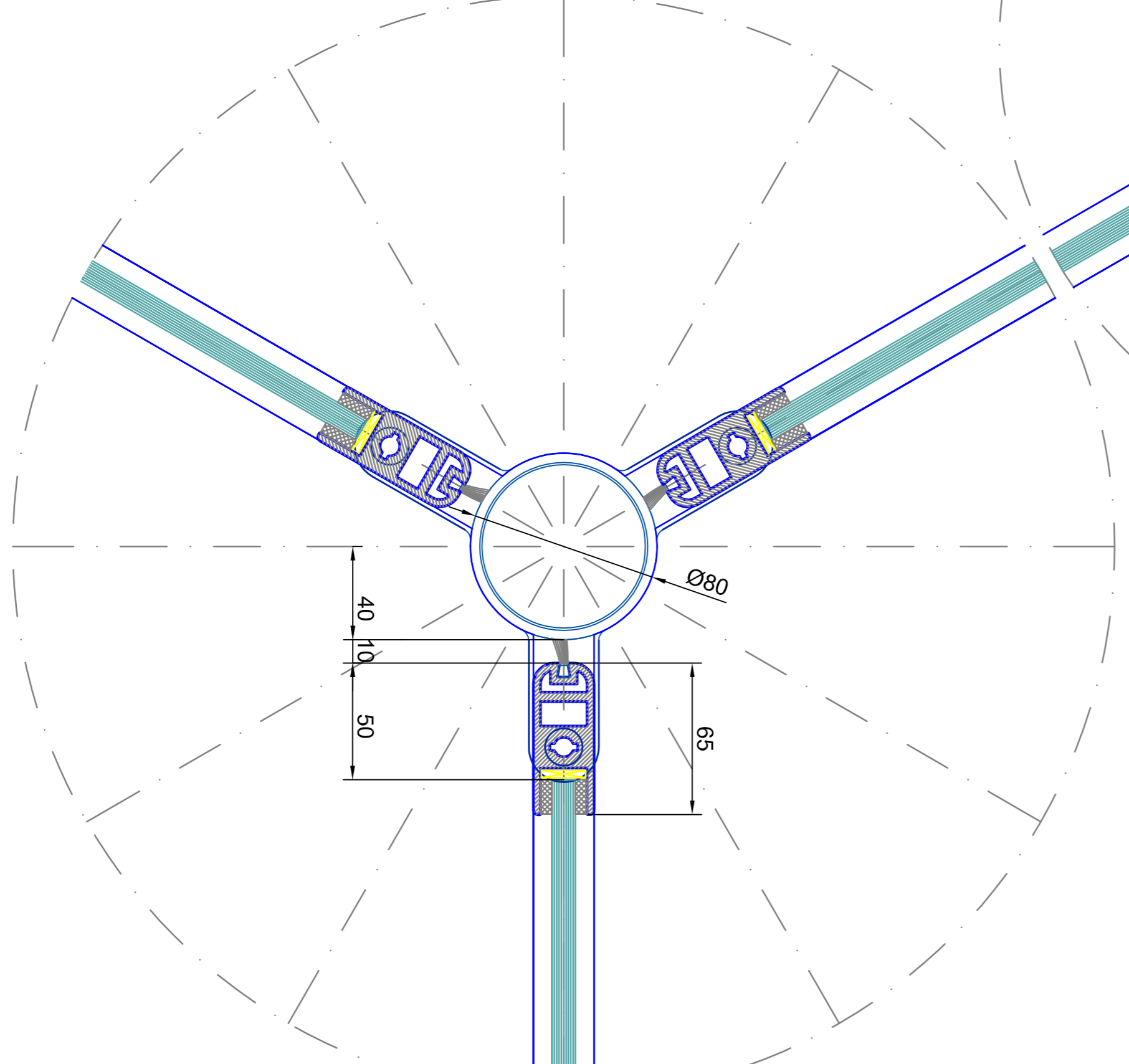
detail I



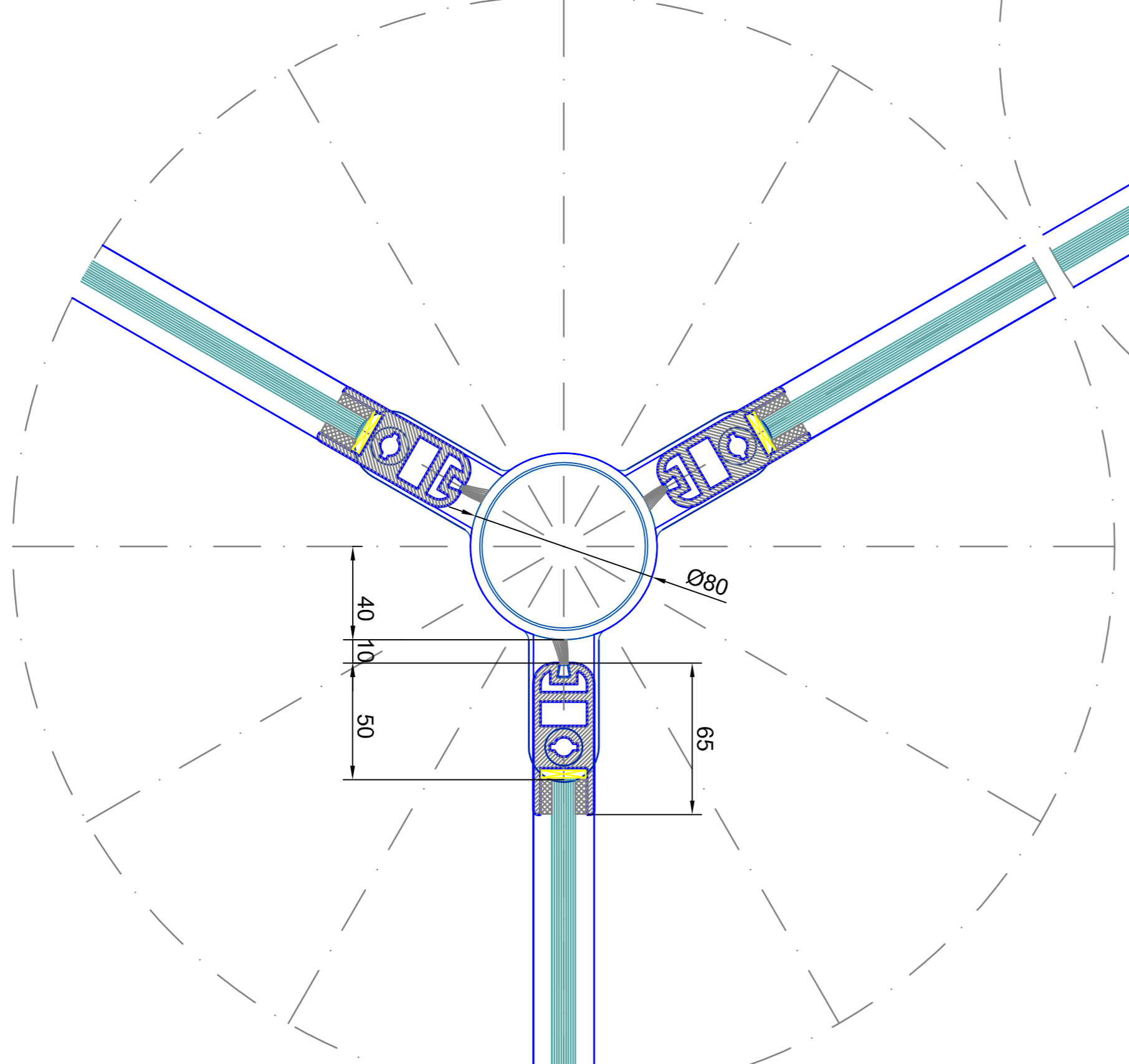
detail I



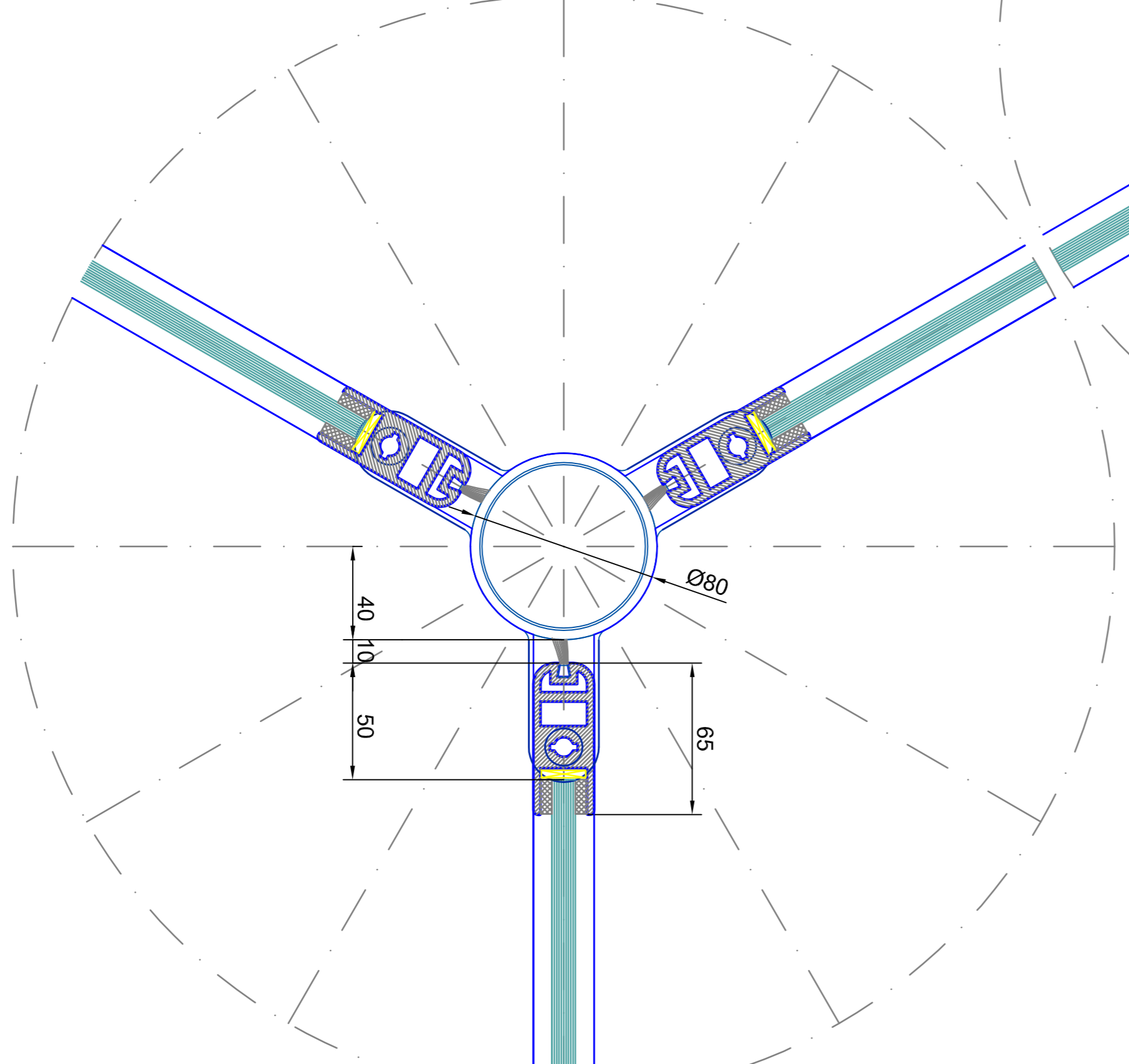
detail I



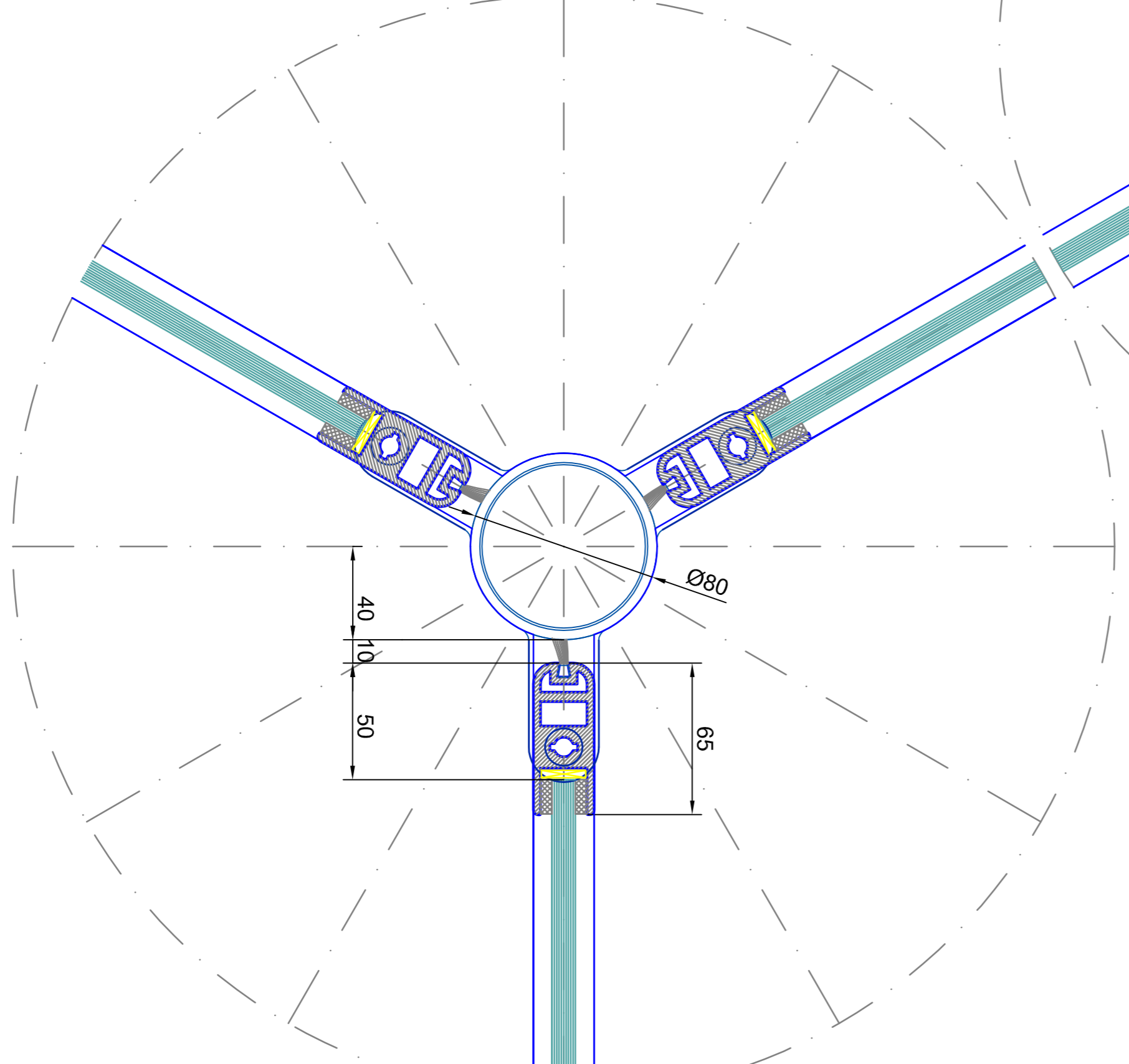
detail I



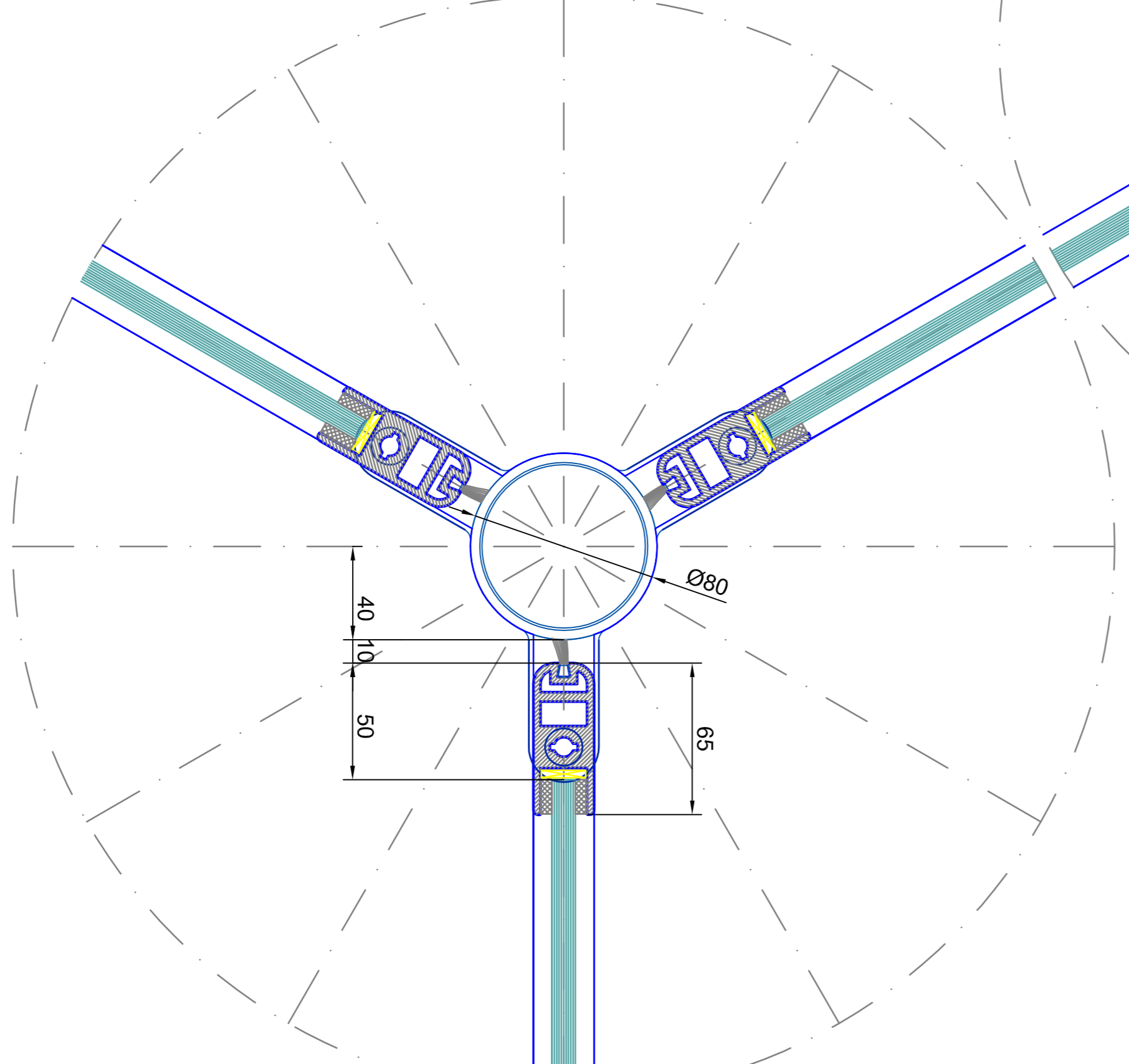
detail I



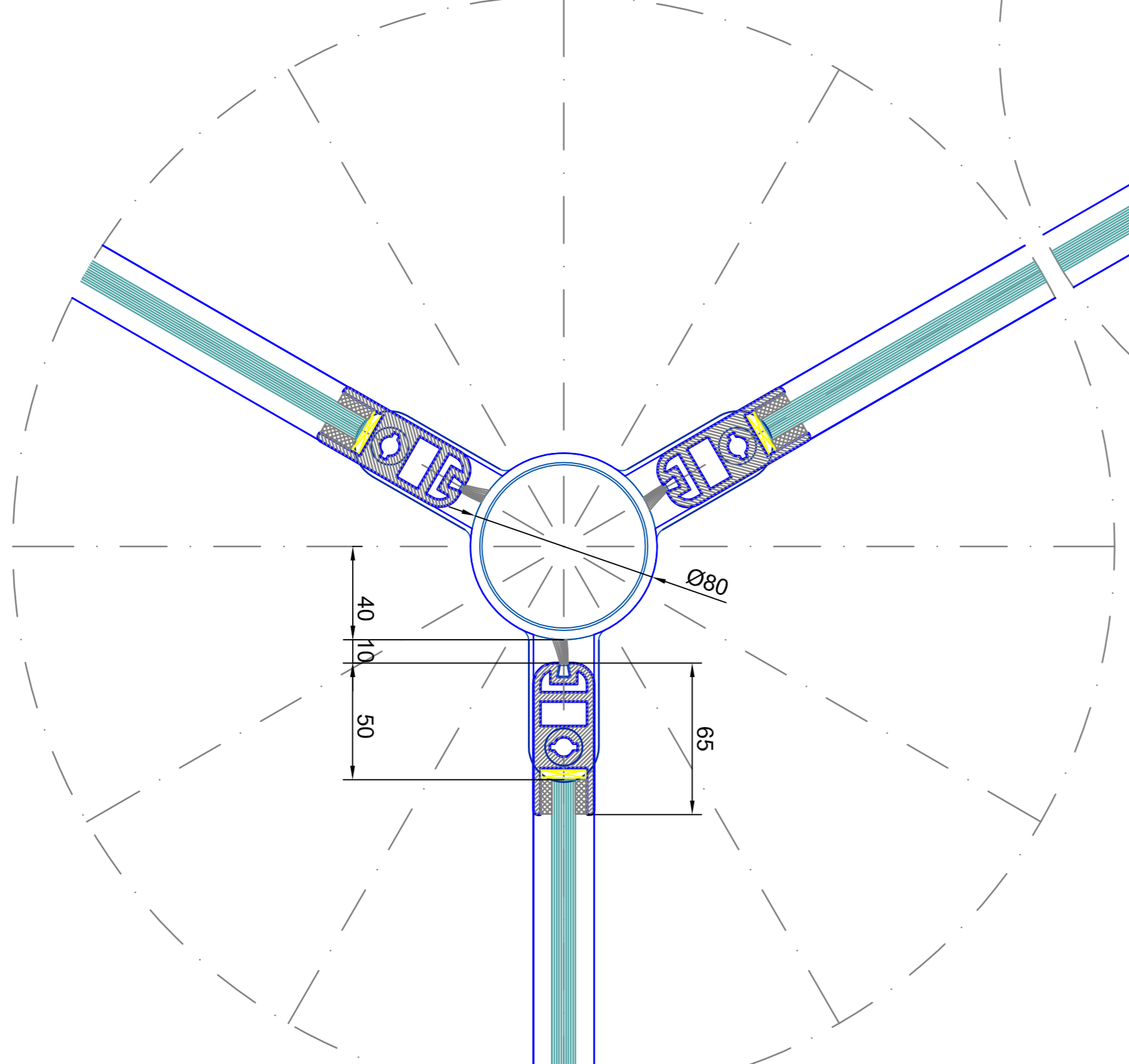
detail I



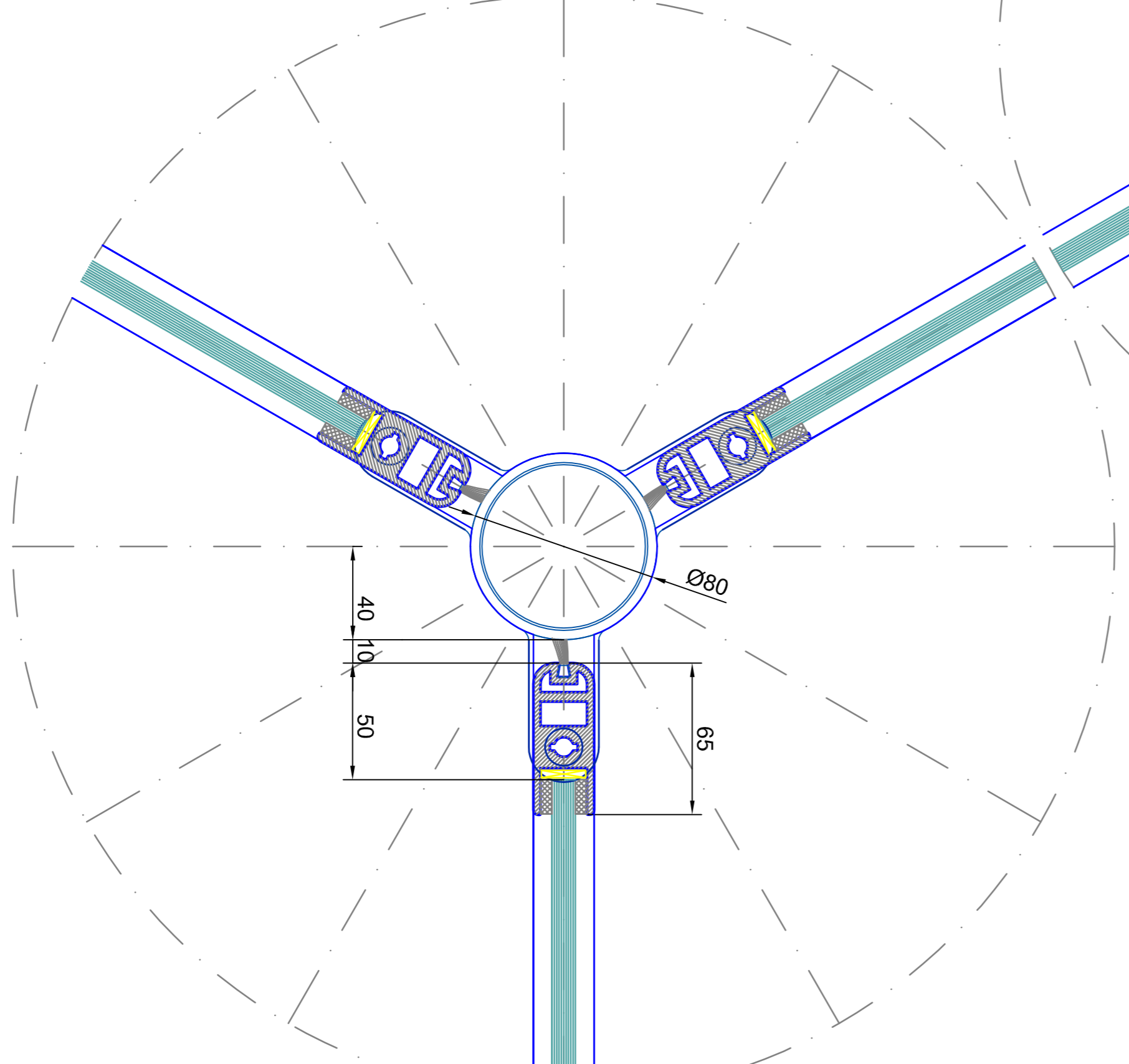
detail I



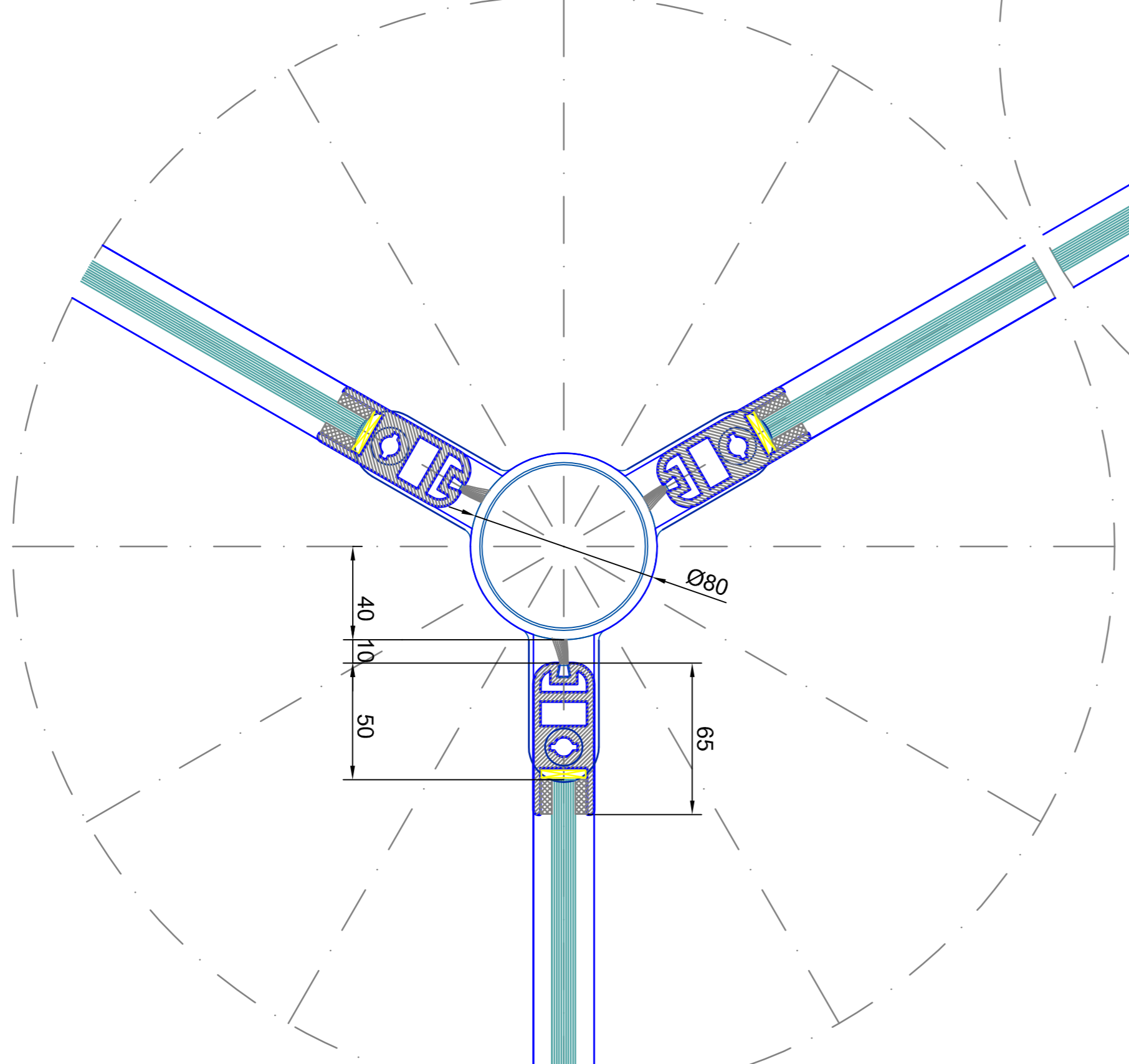
detail I



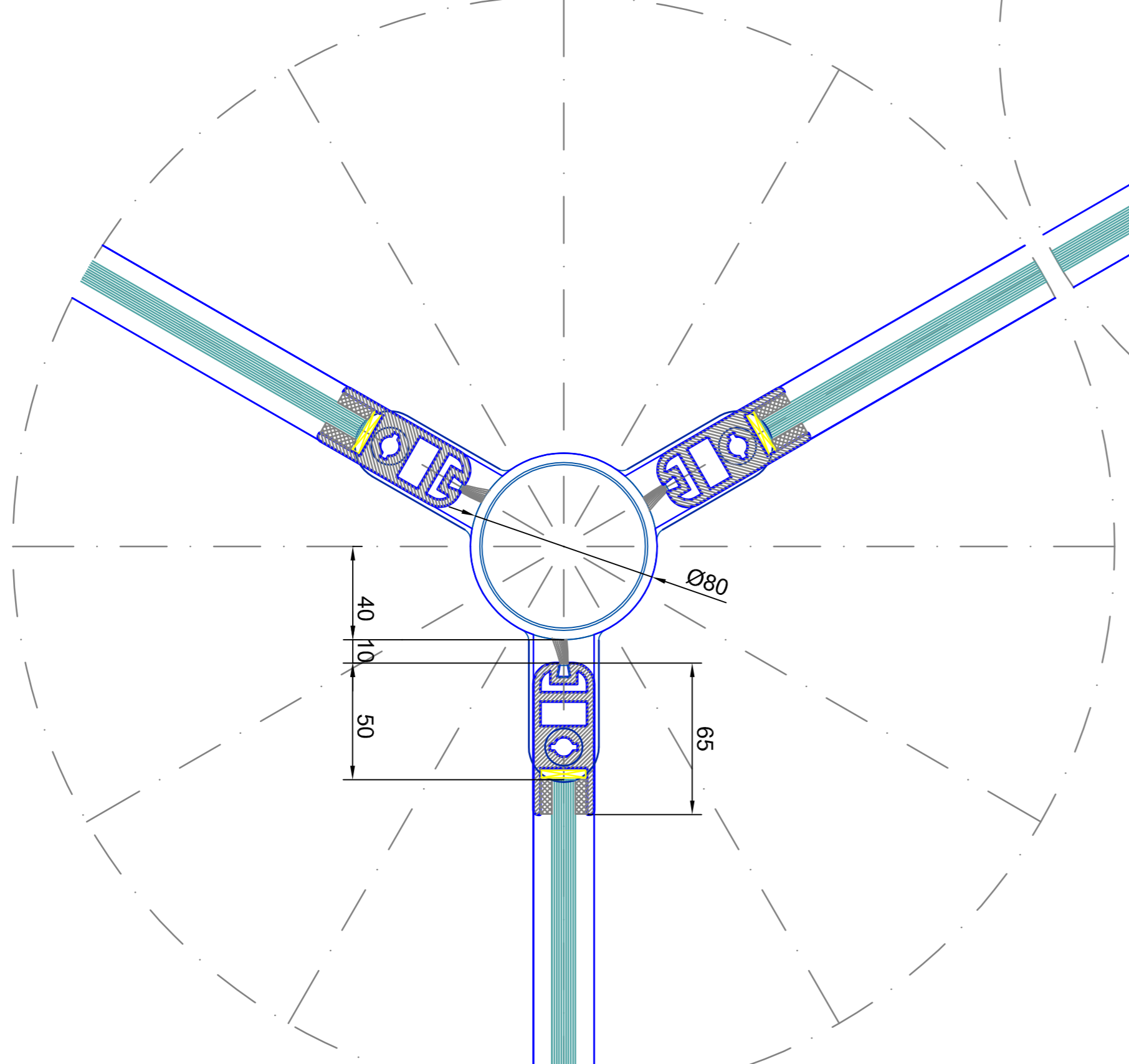
detail I



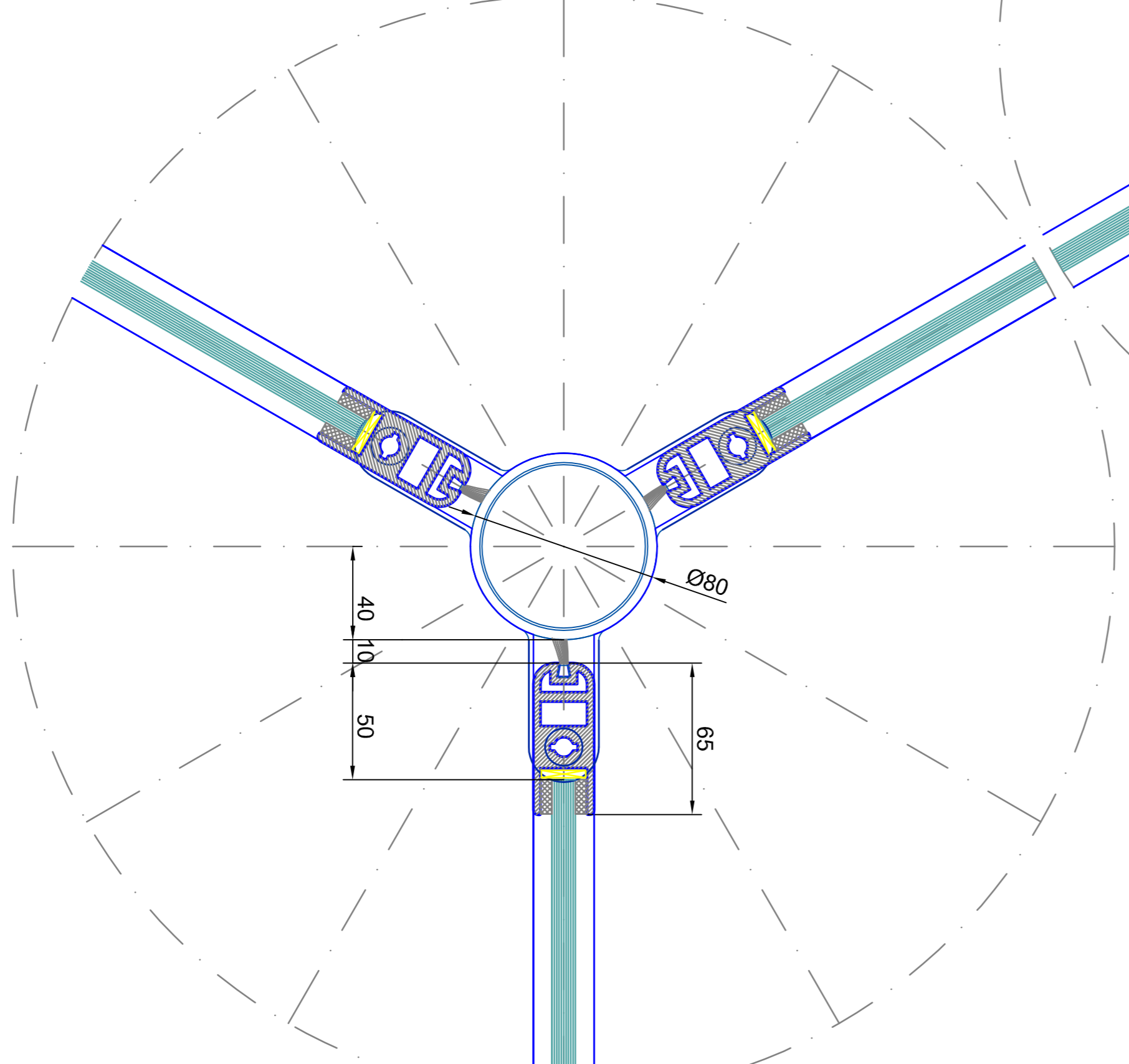
detail I



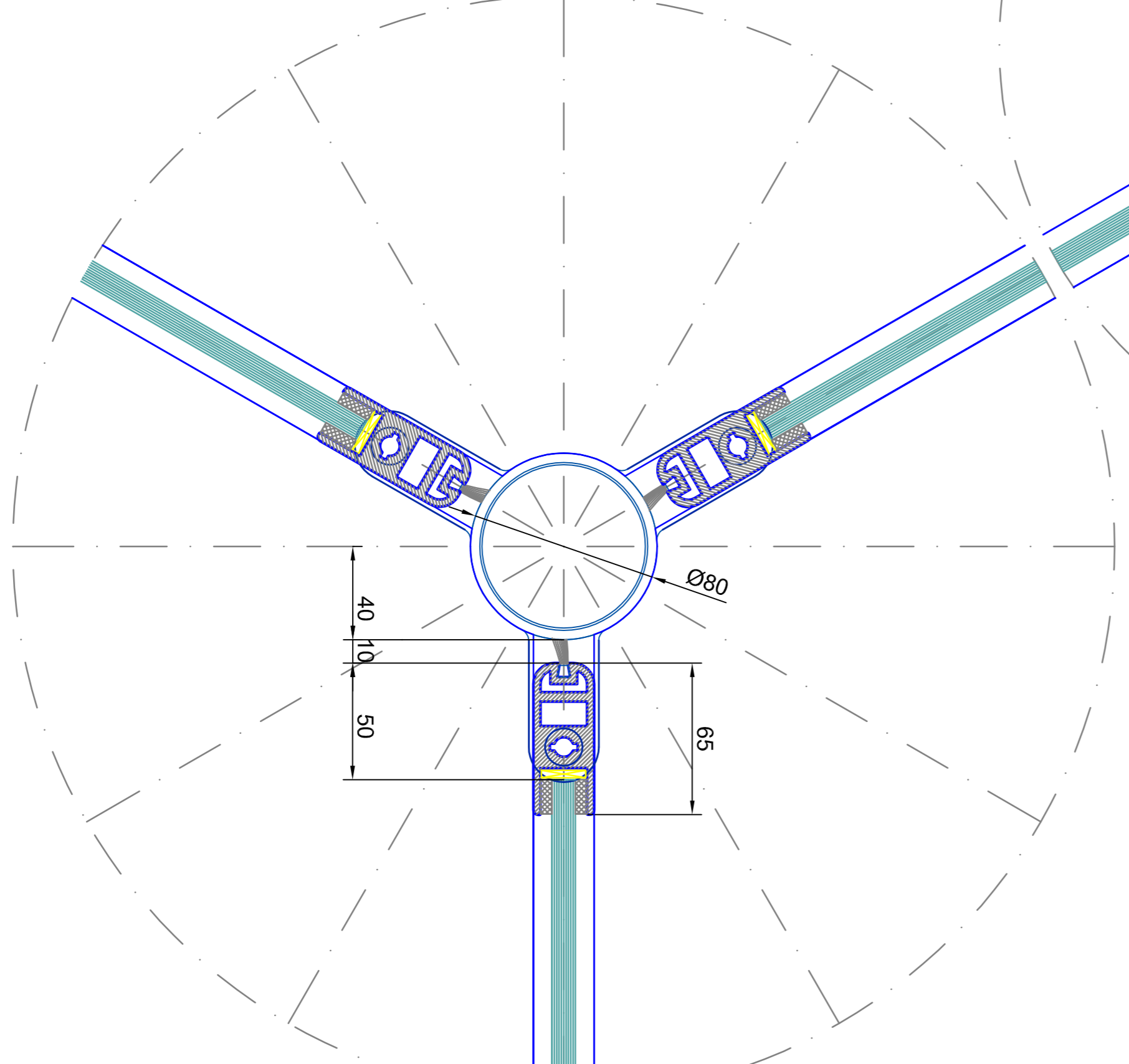
detail I



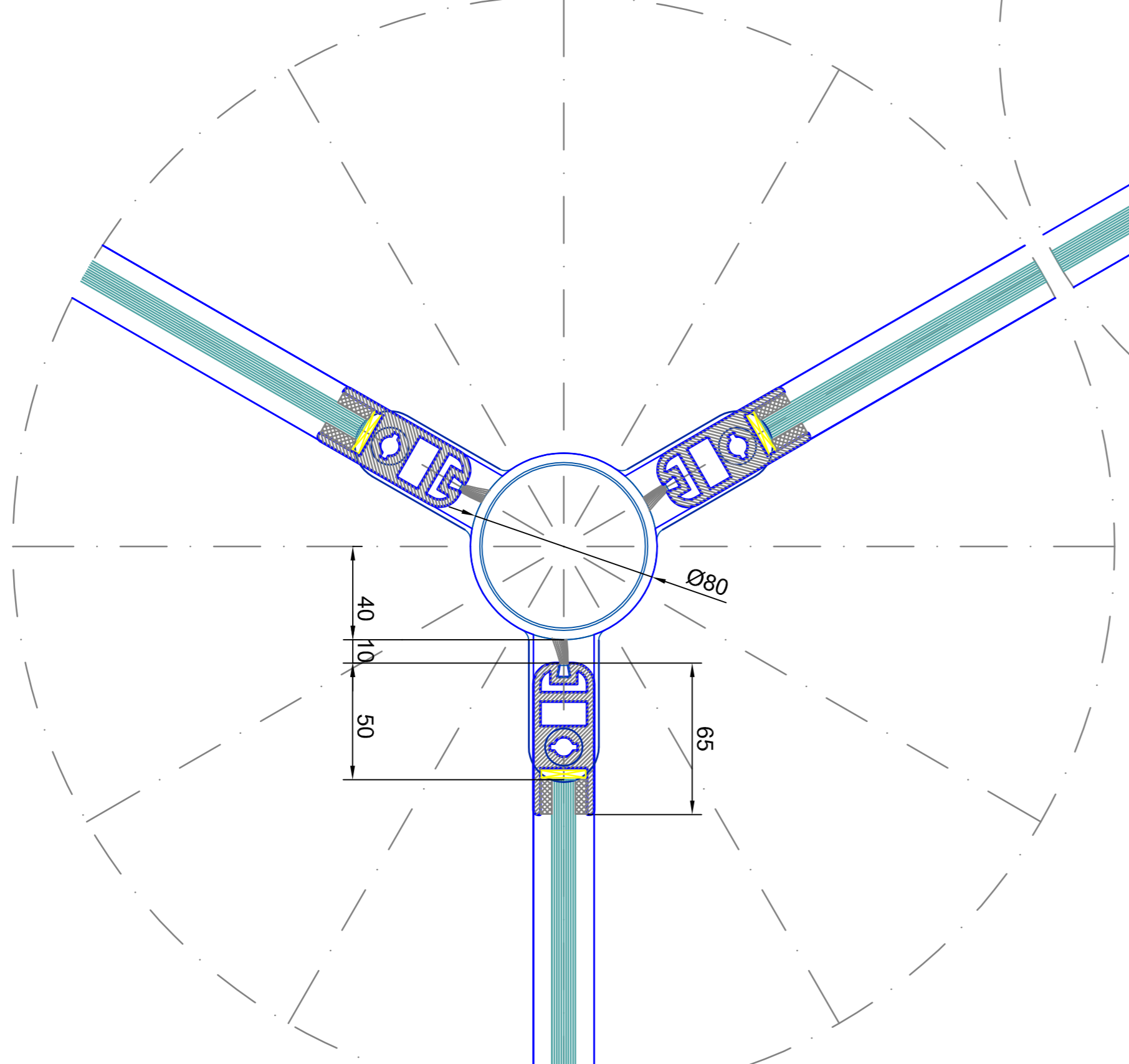
detail I



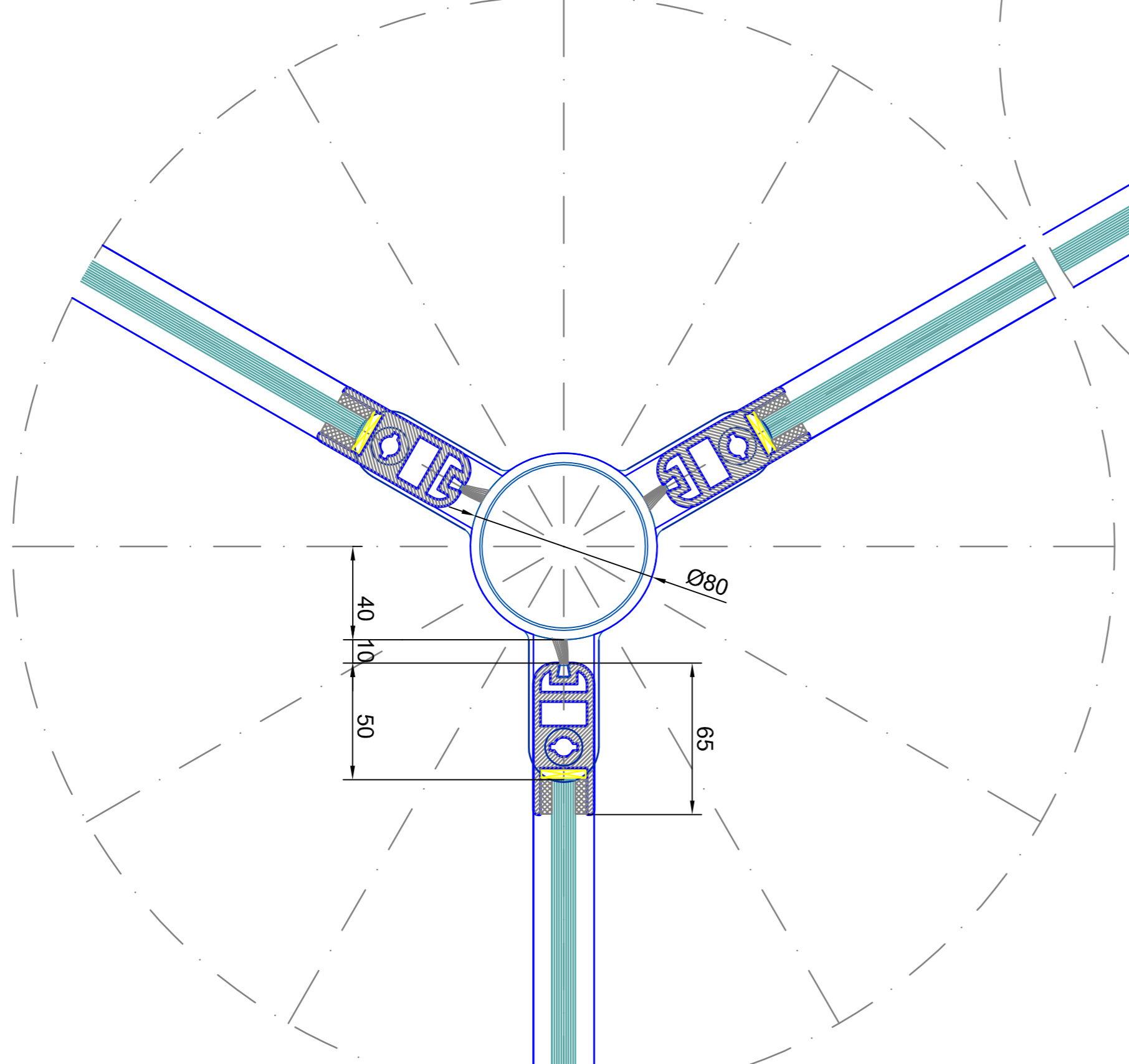
detail I



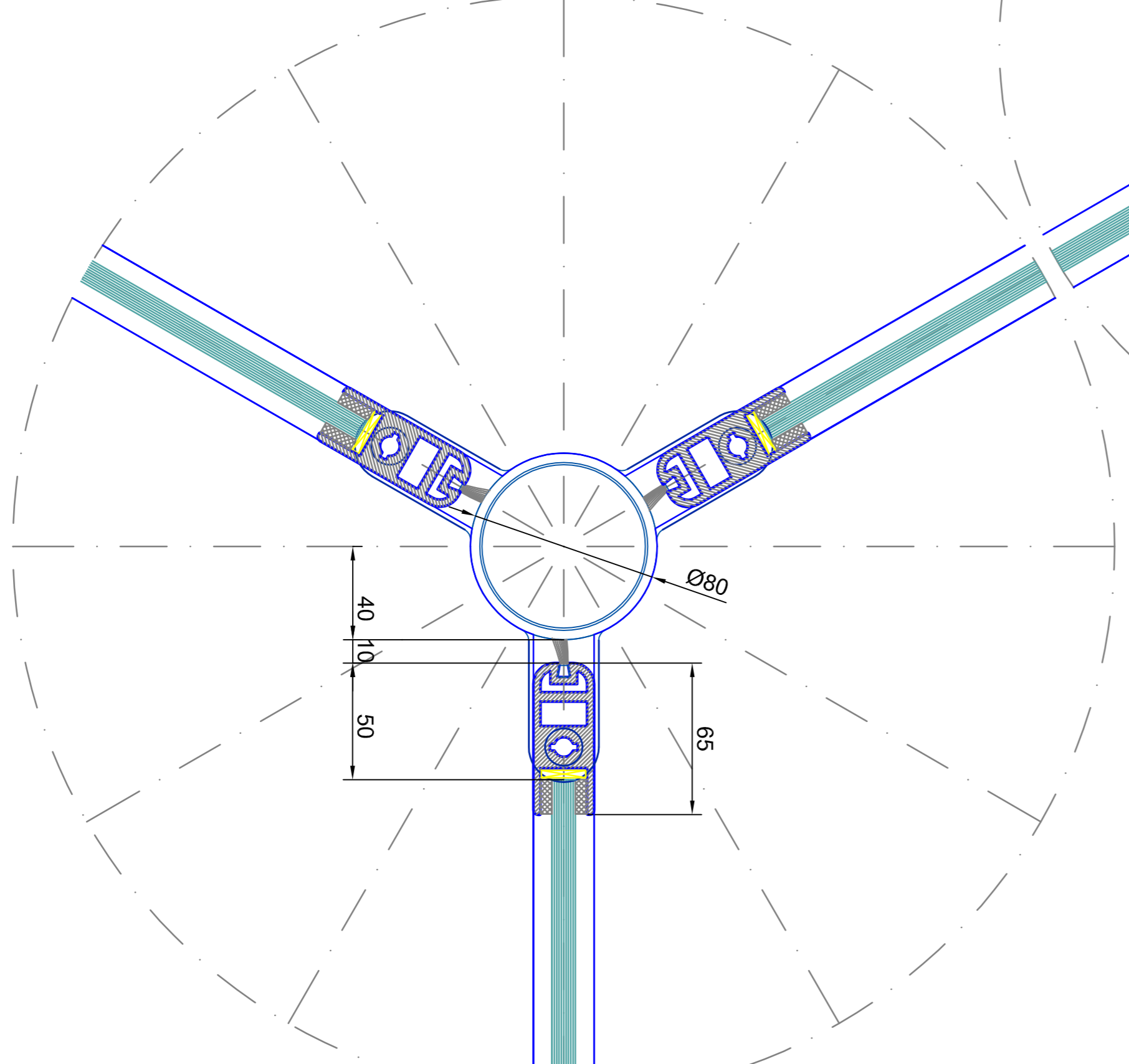
detail I



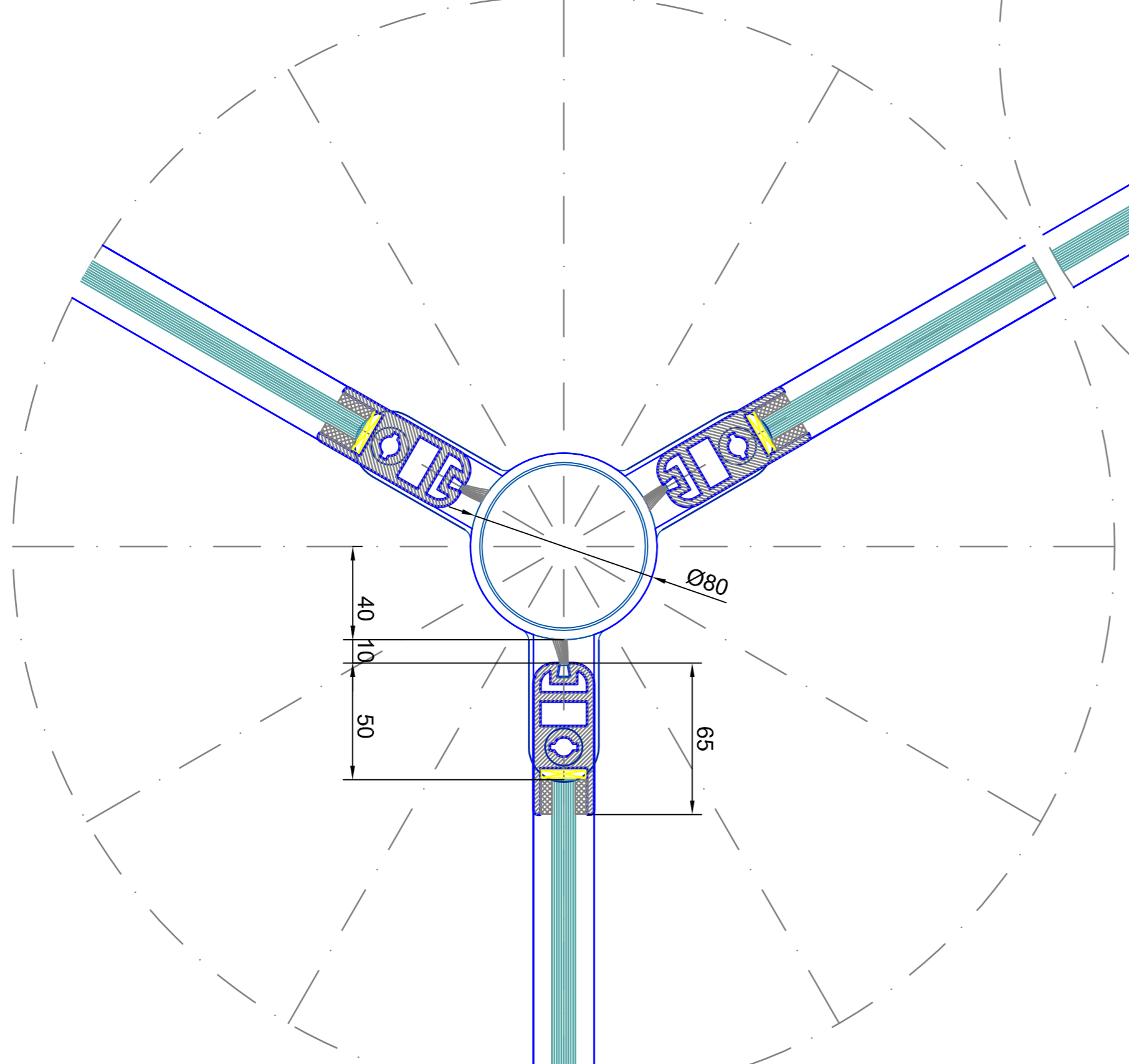
detail I



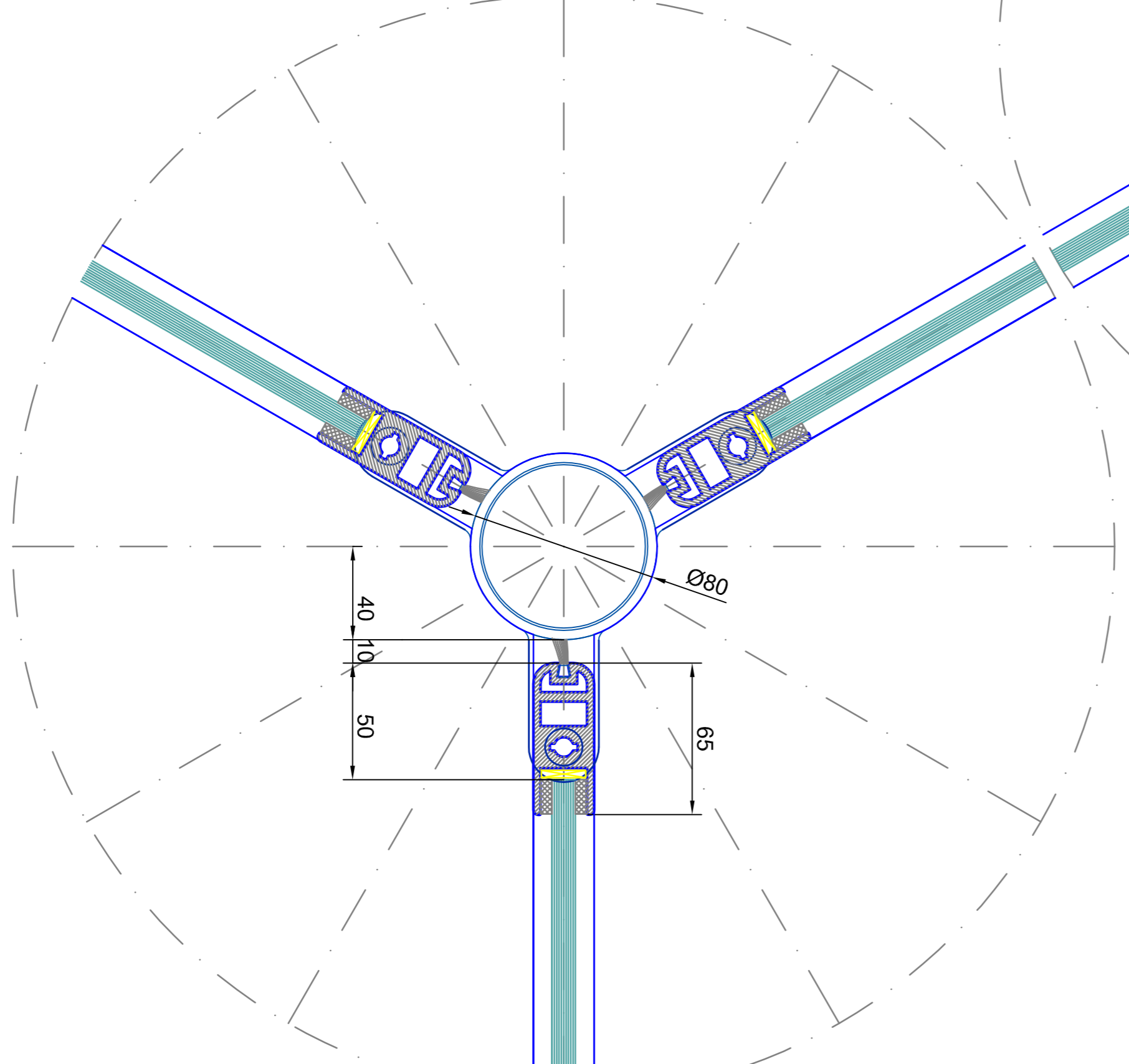
detail I



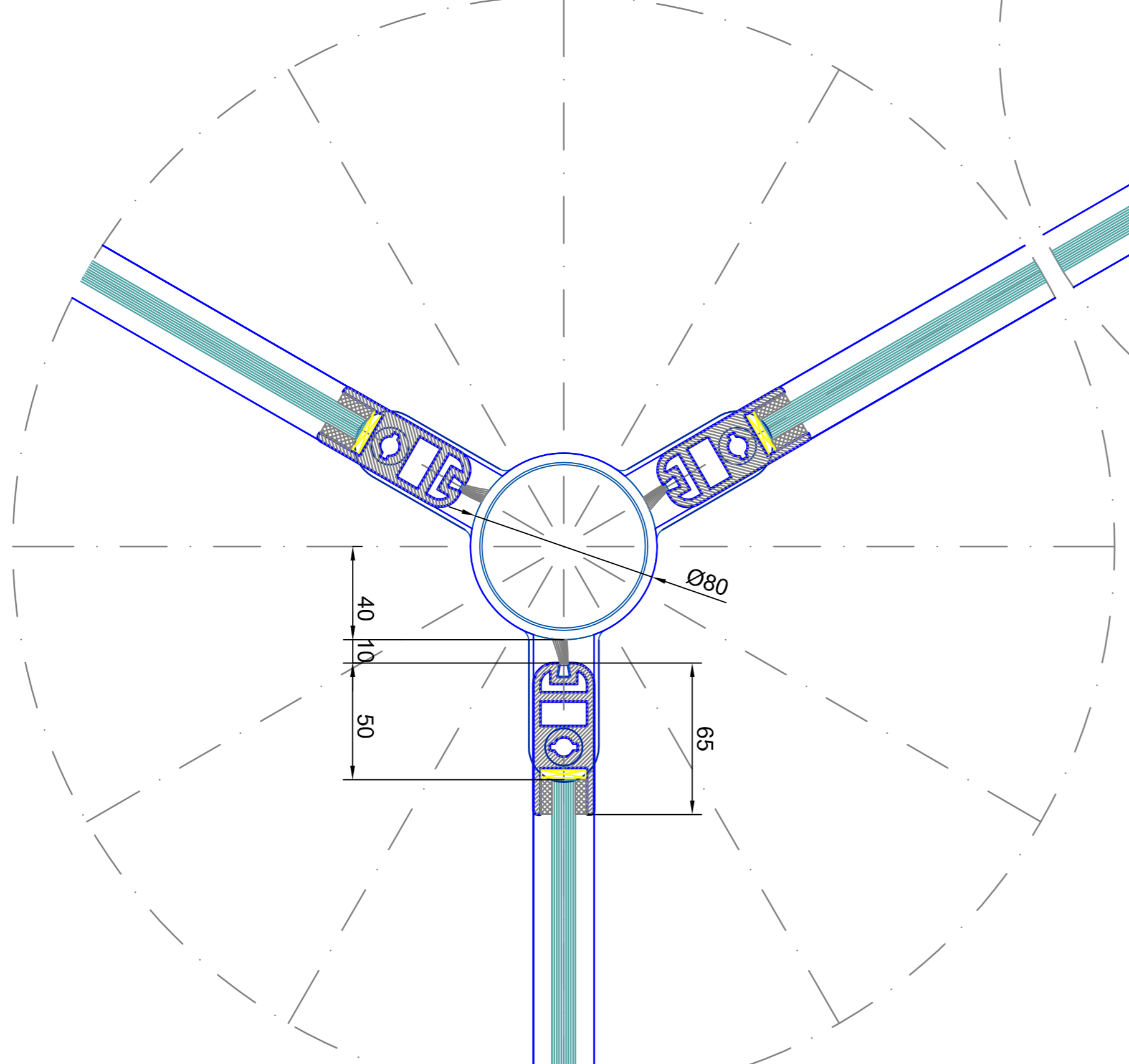
detail I



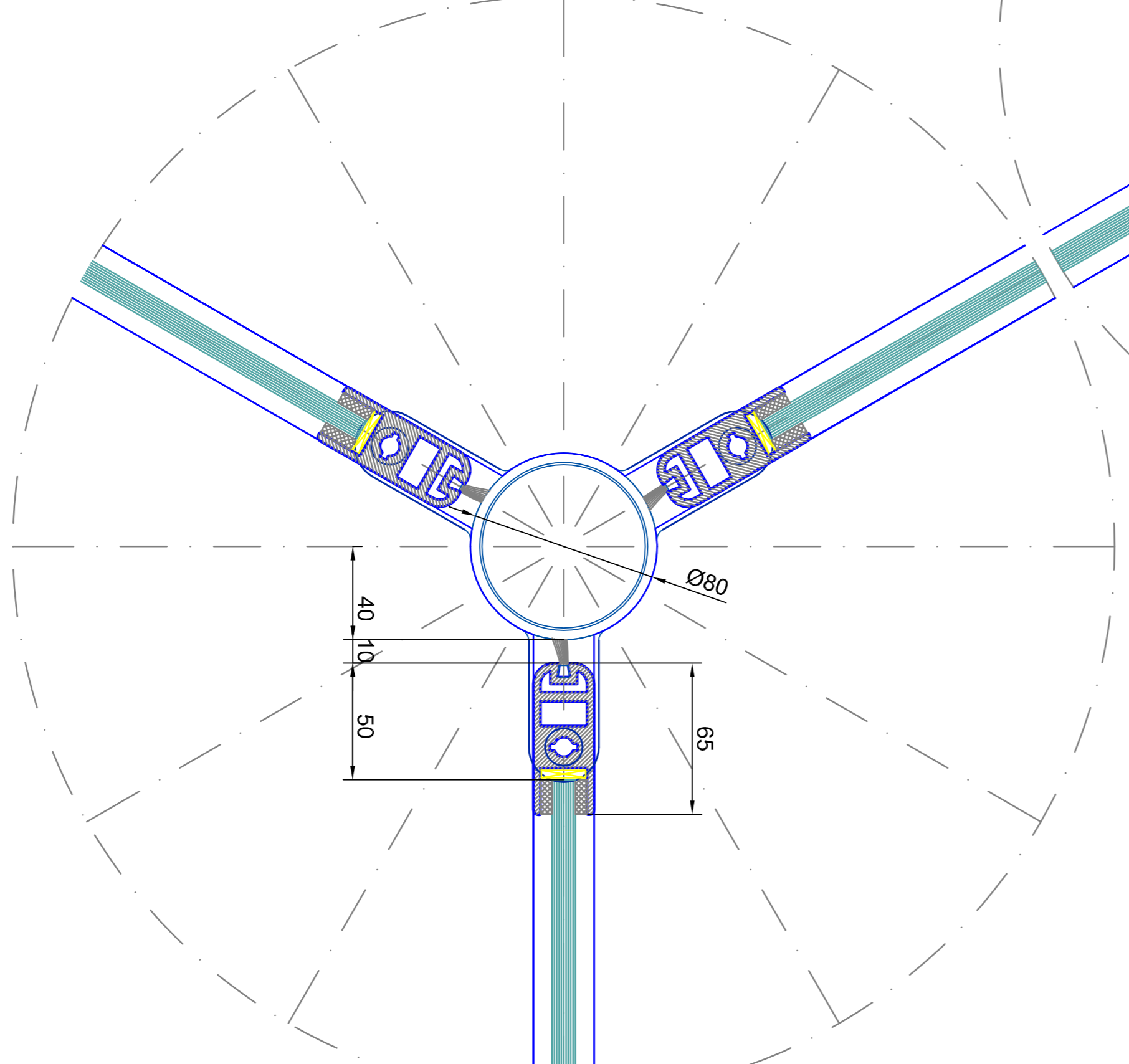
detail I



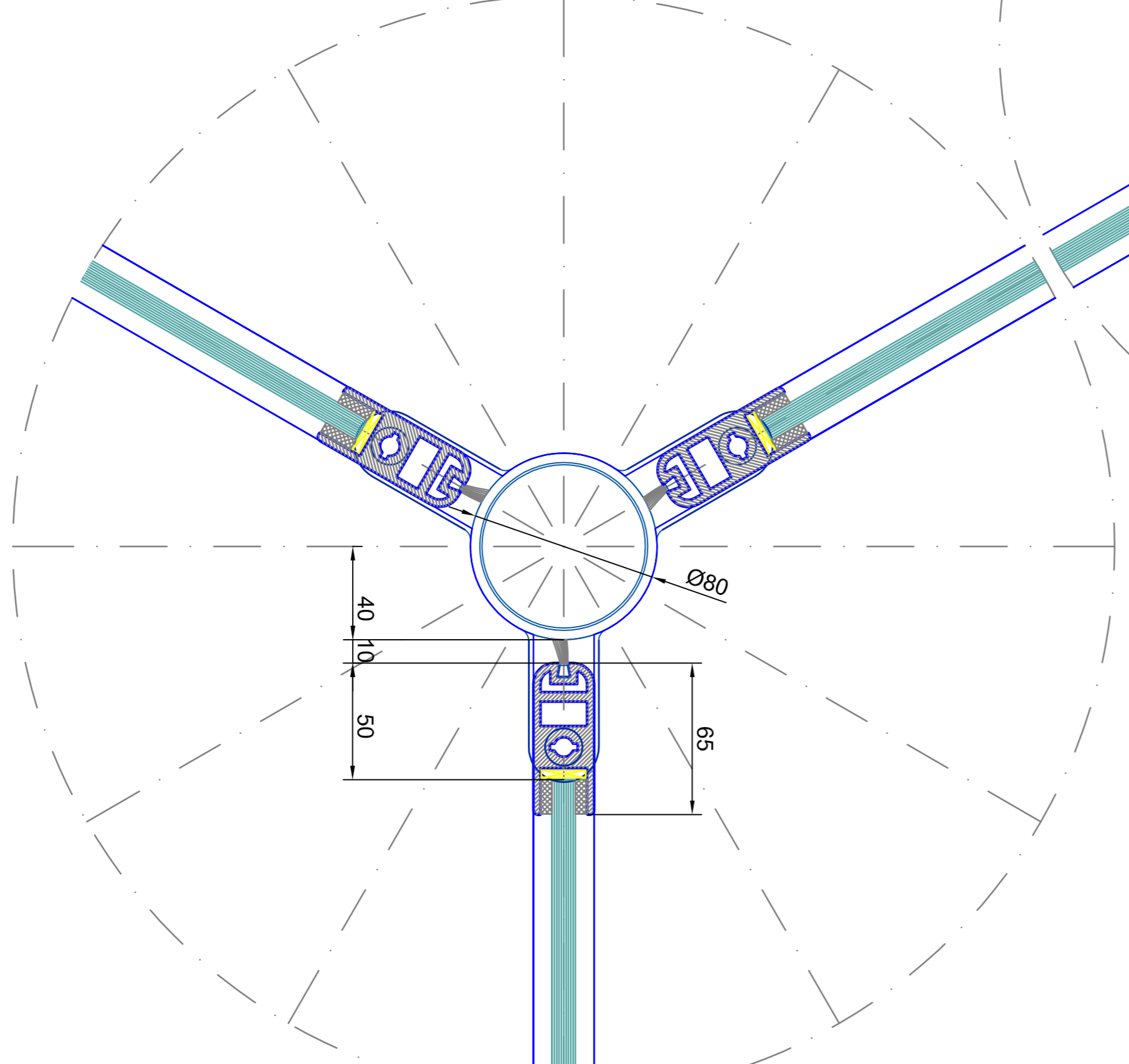
detail I



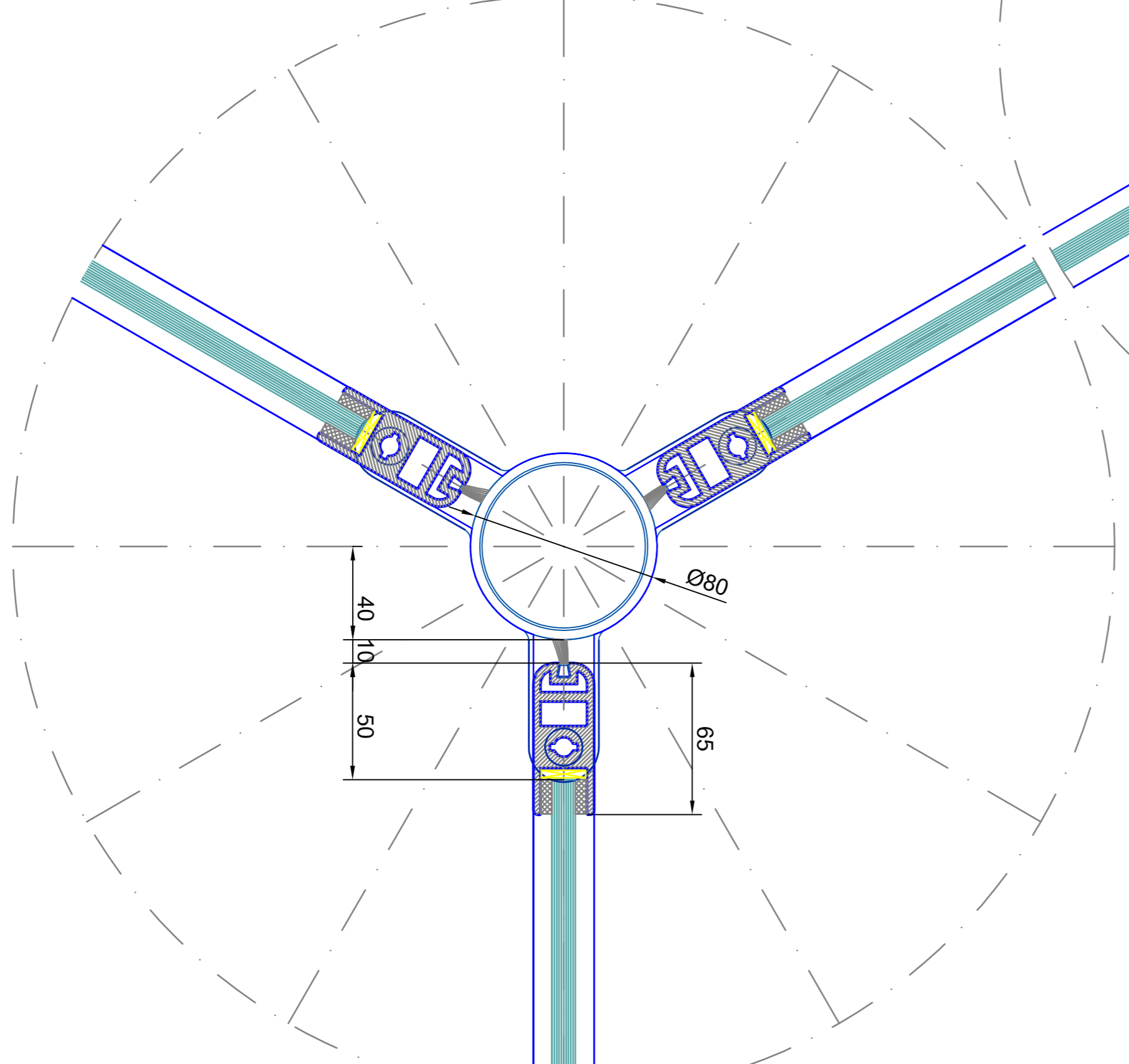
detail I



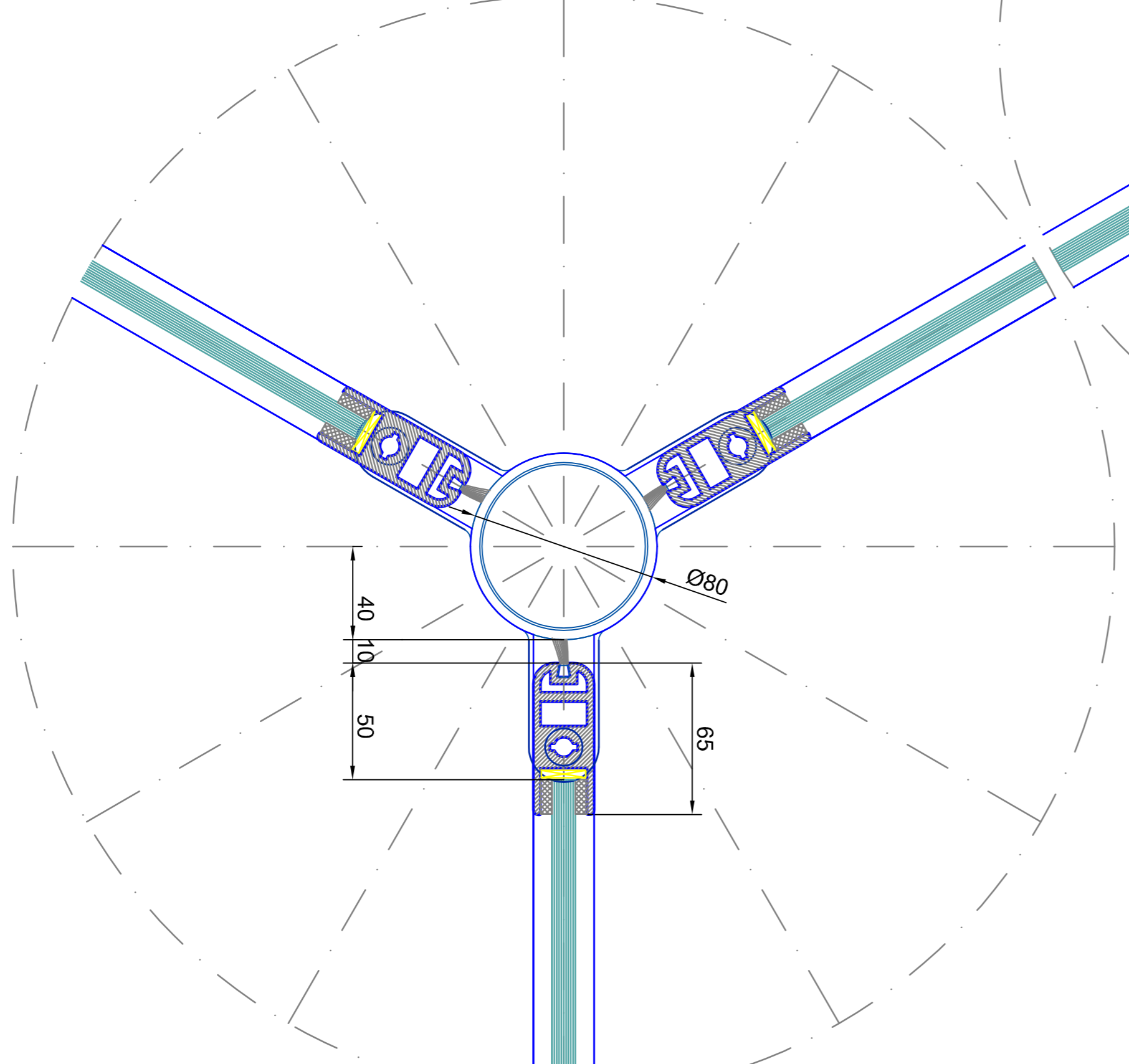
detail I



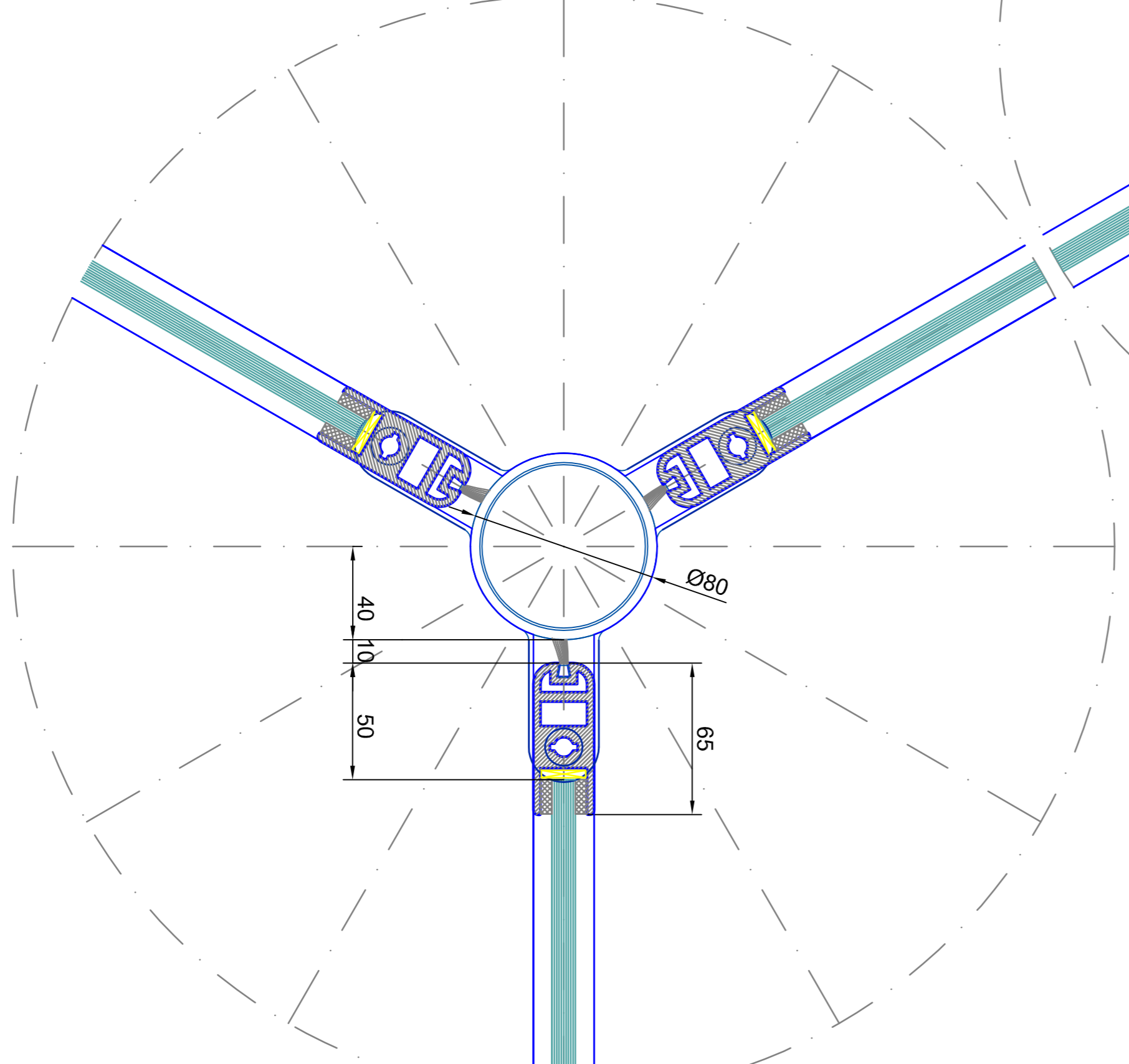
detail I



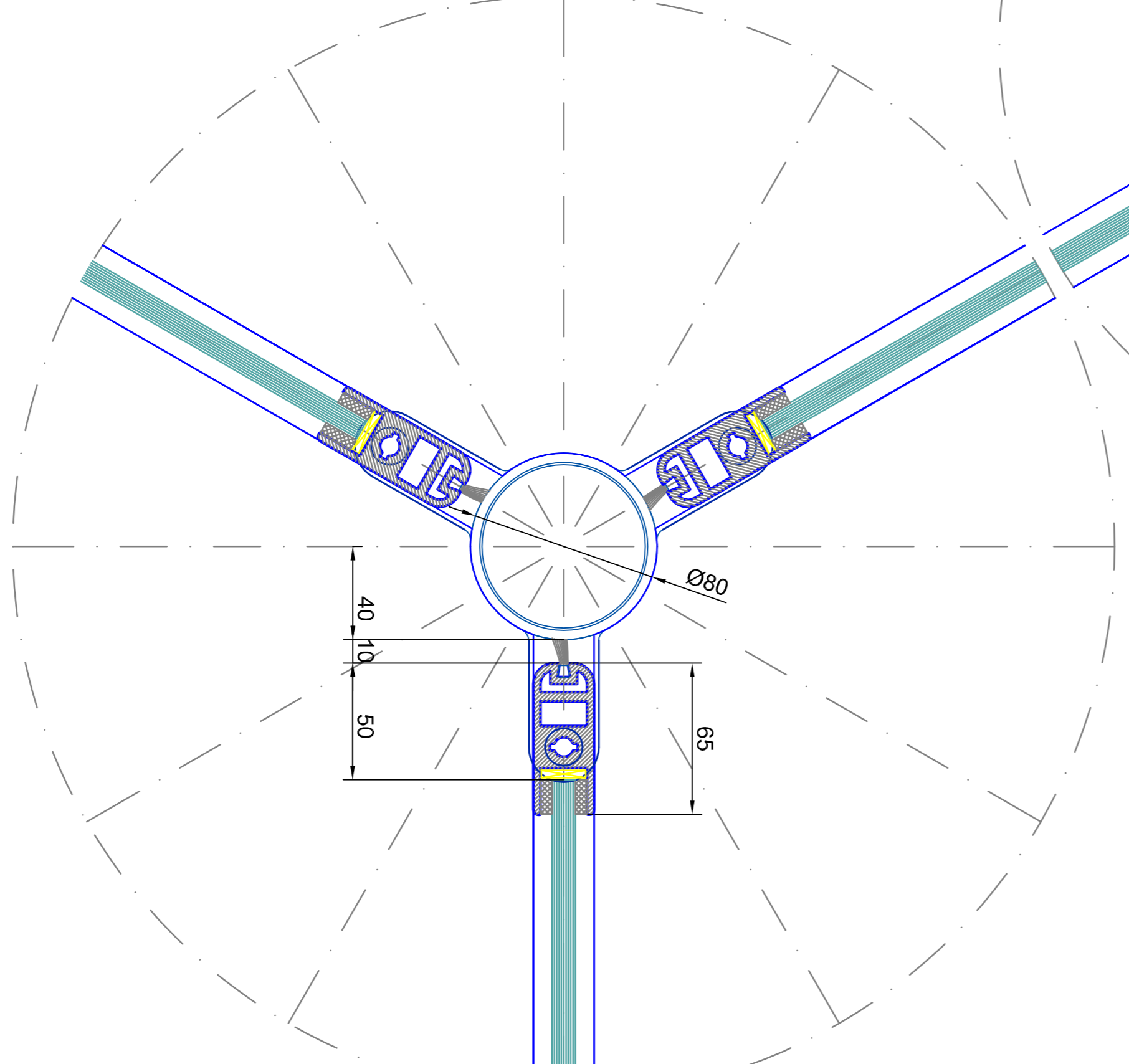
detail I



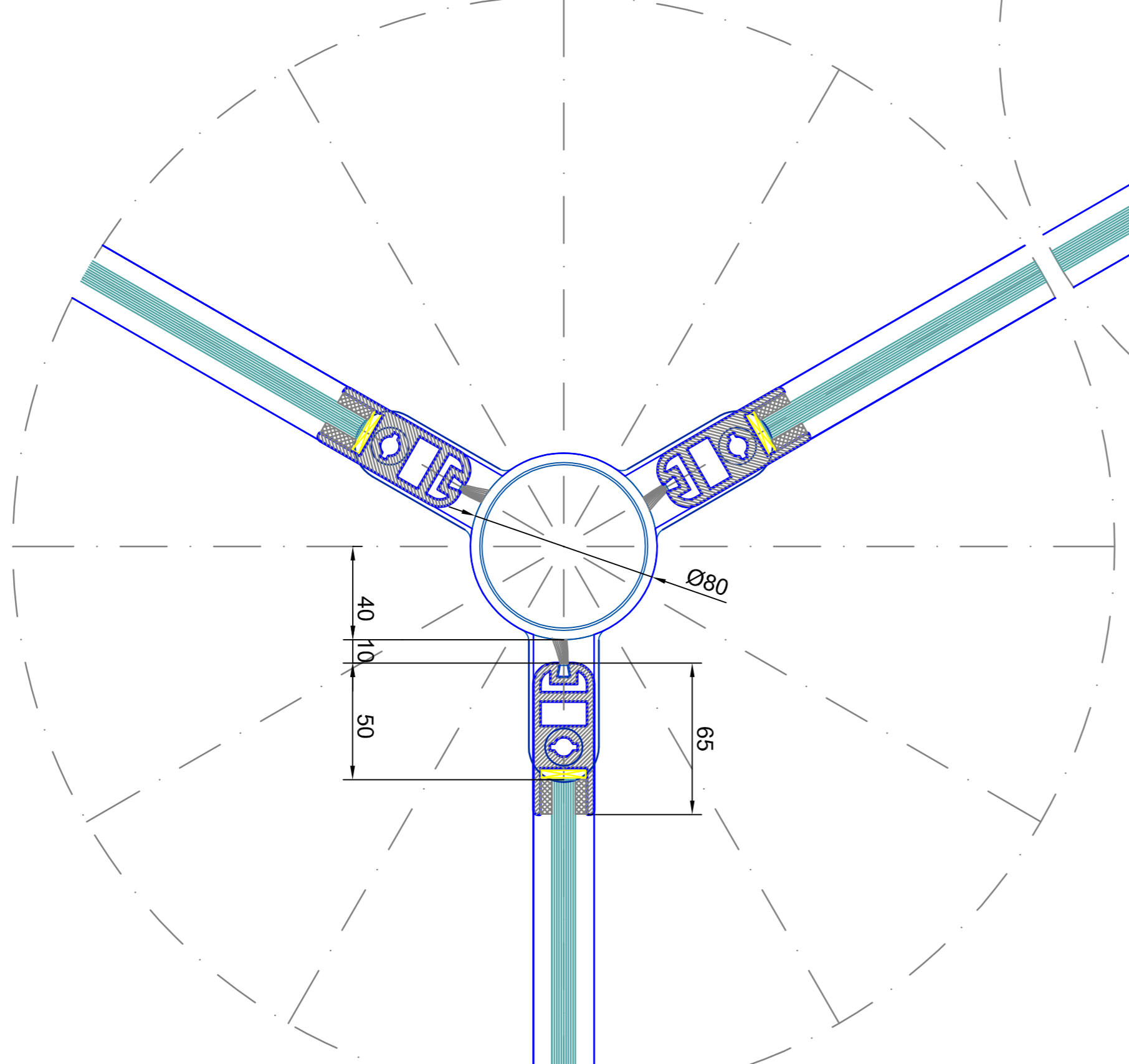
detail I



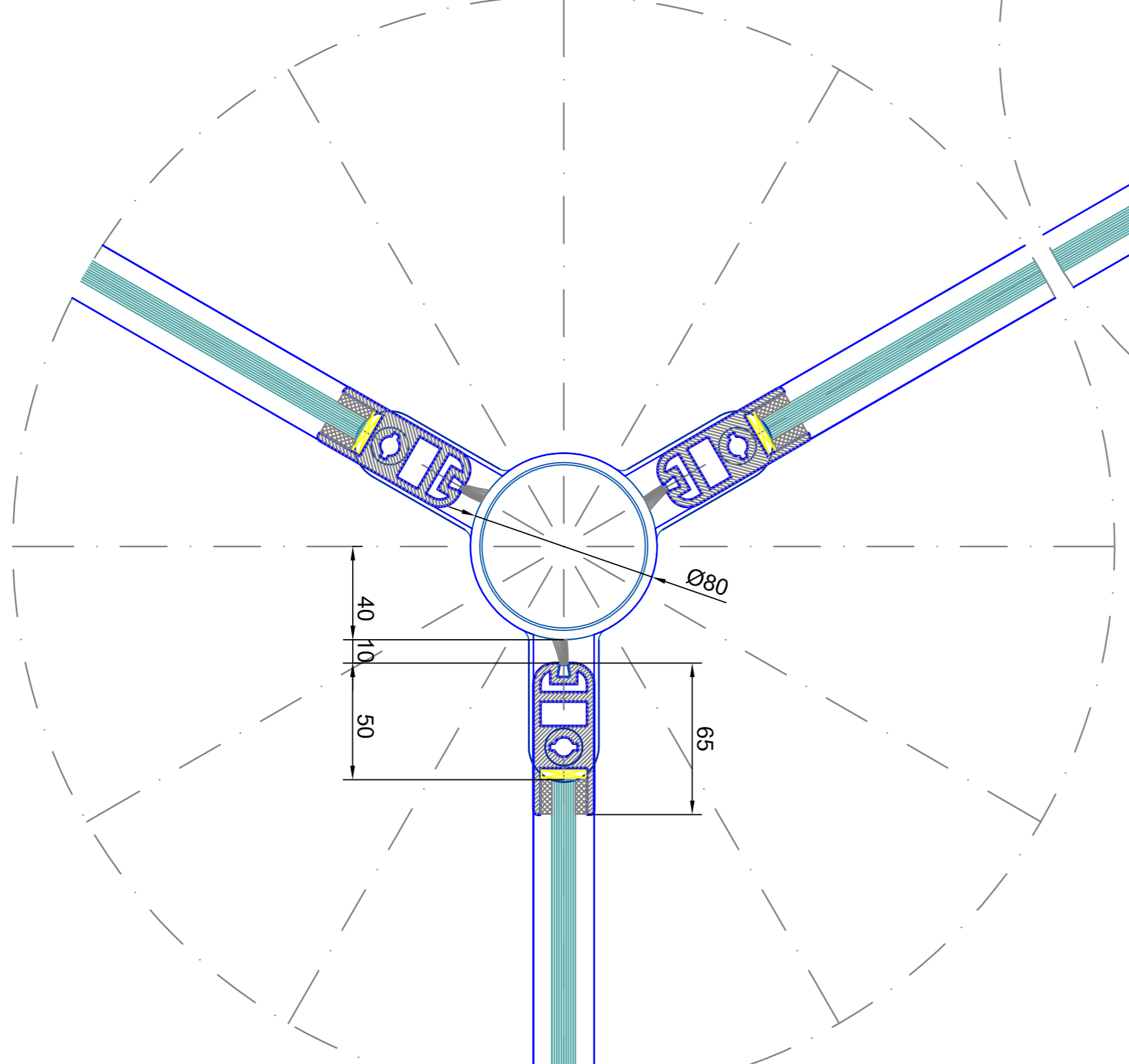
detail I



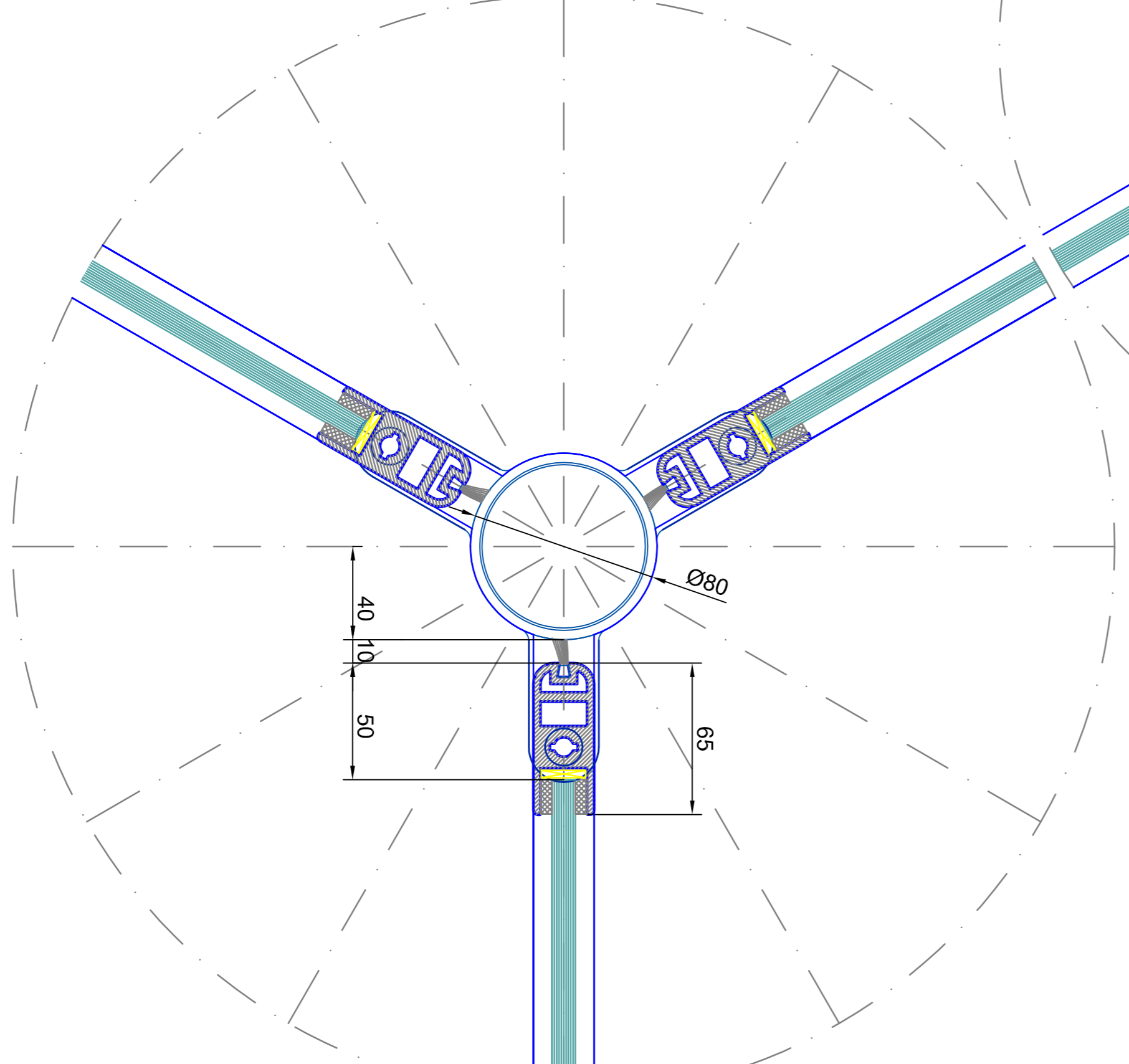
detail I



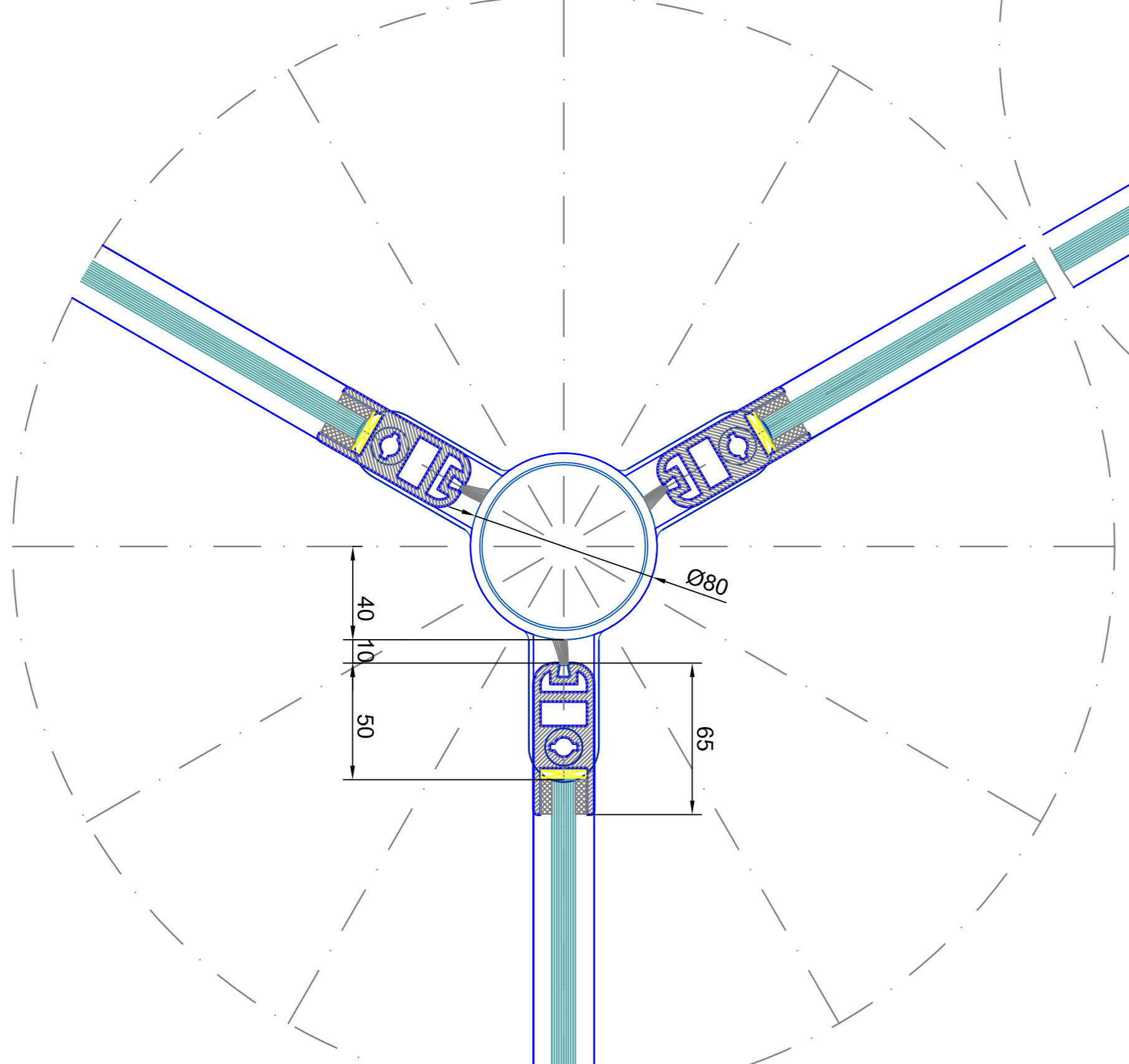
detail I



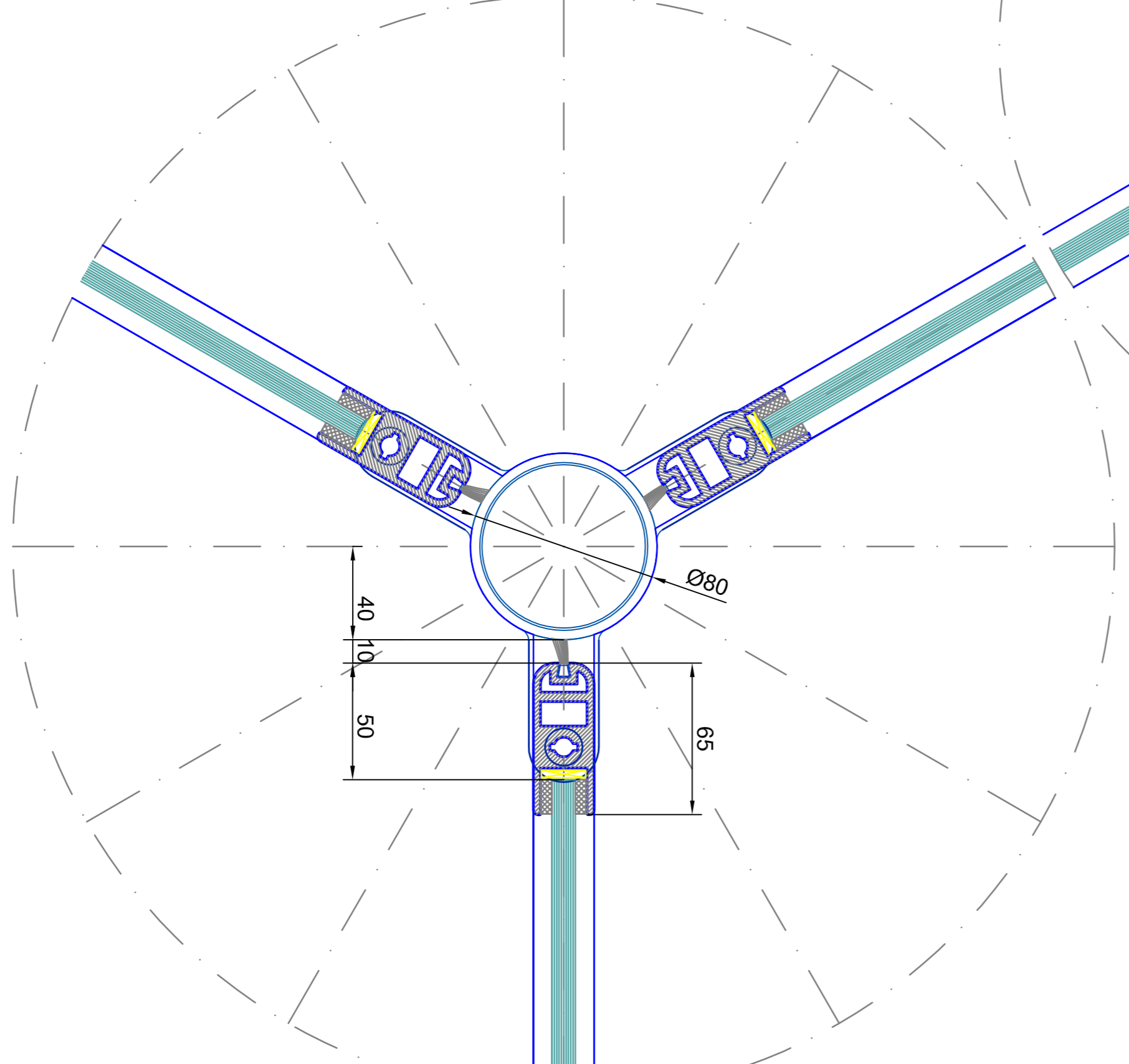
detail I



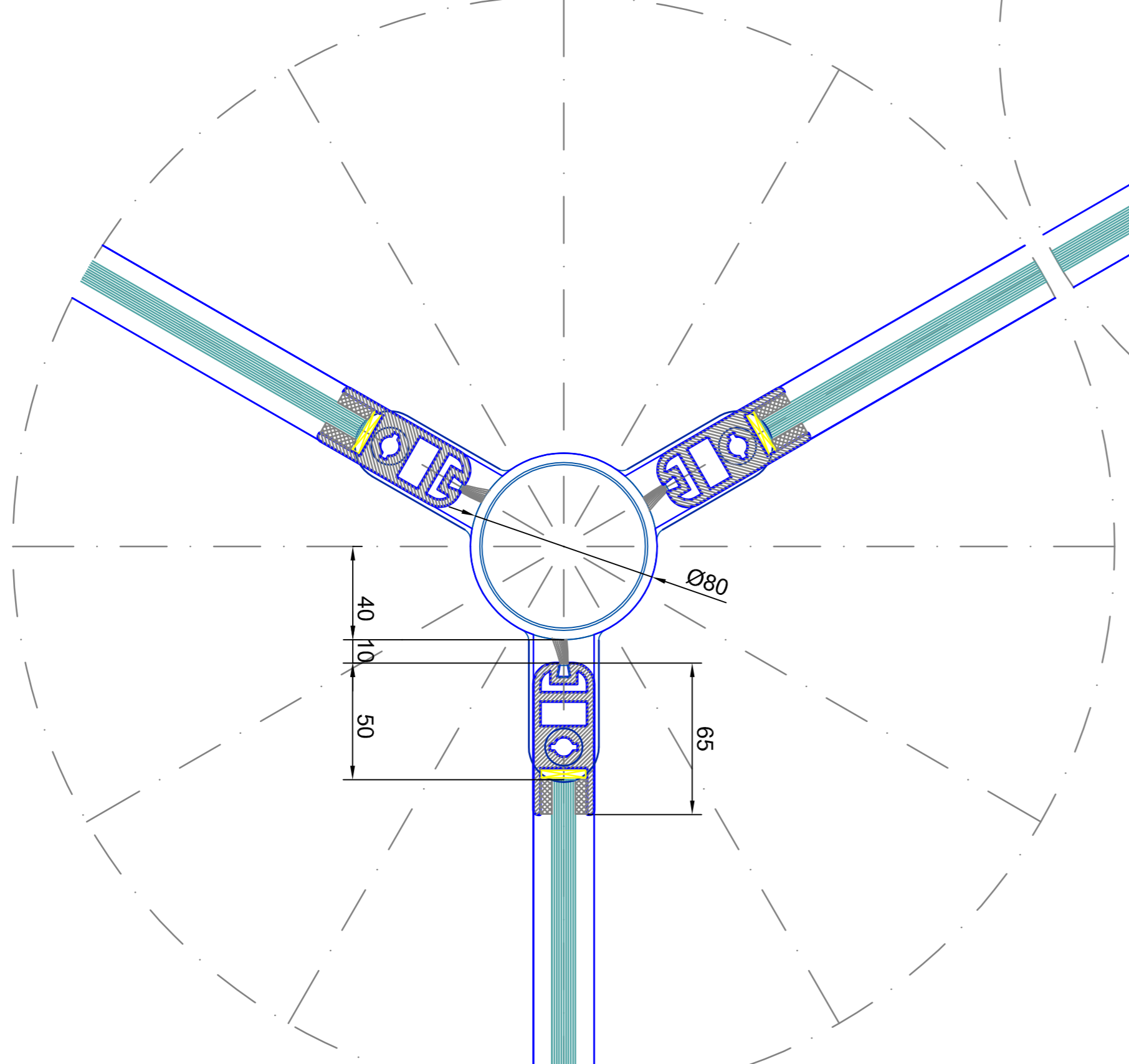
detail I



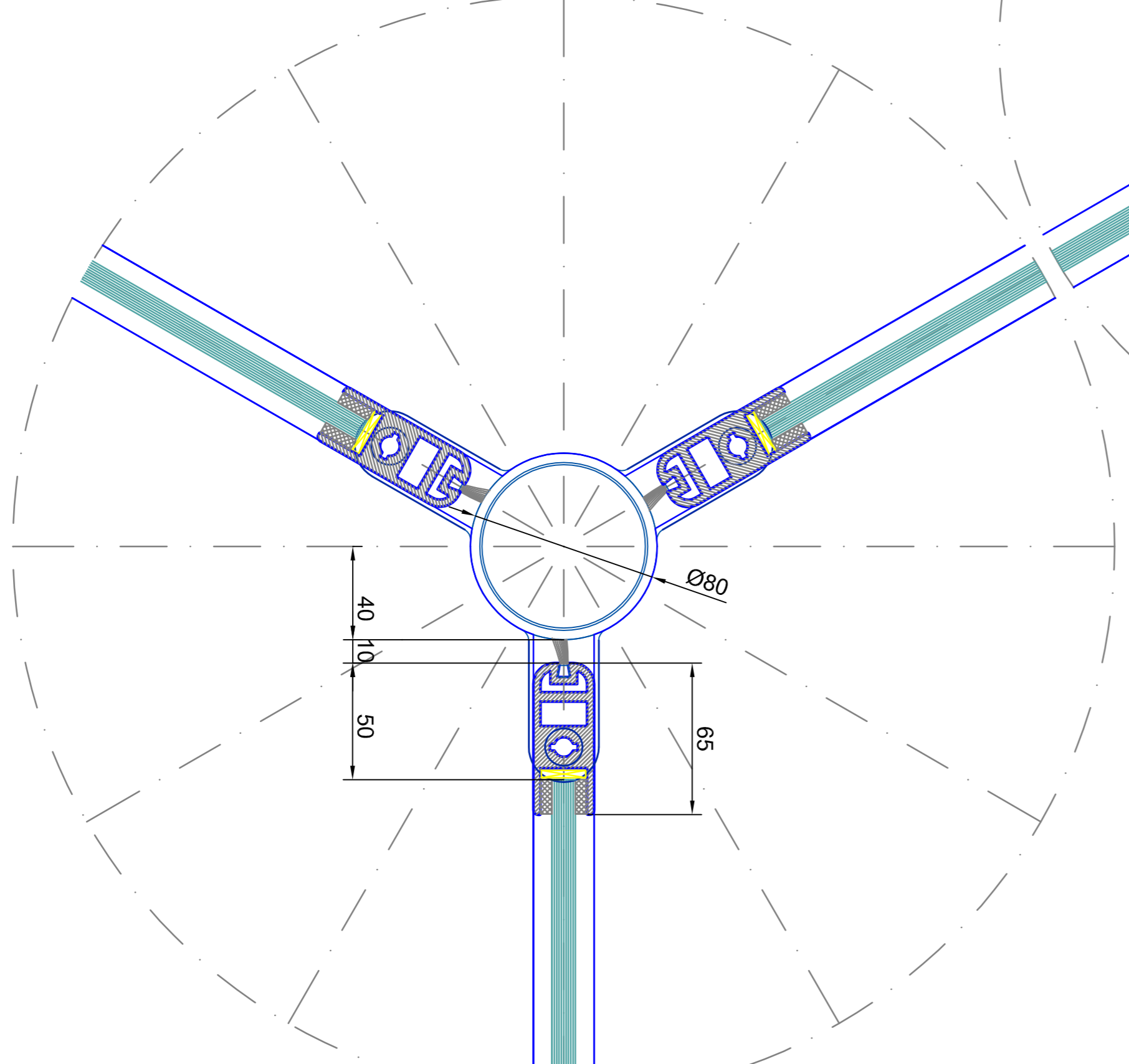
detail I



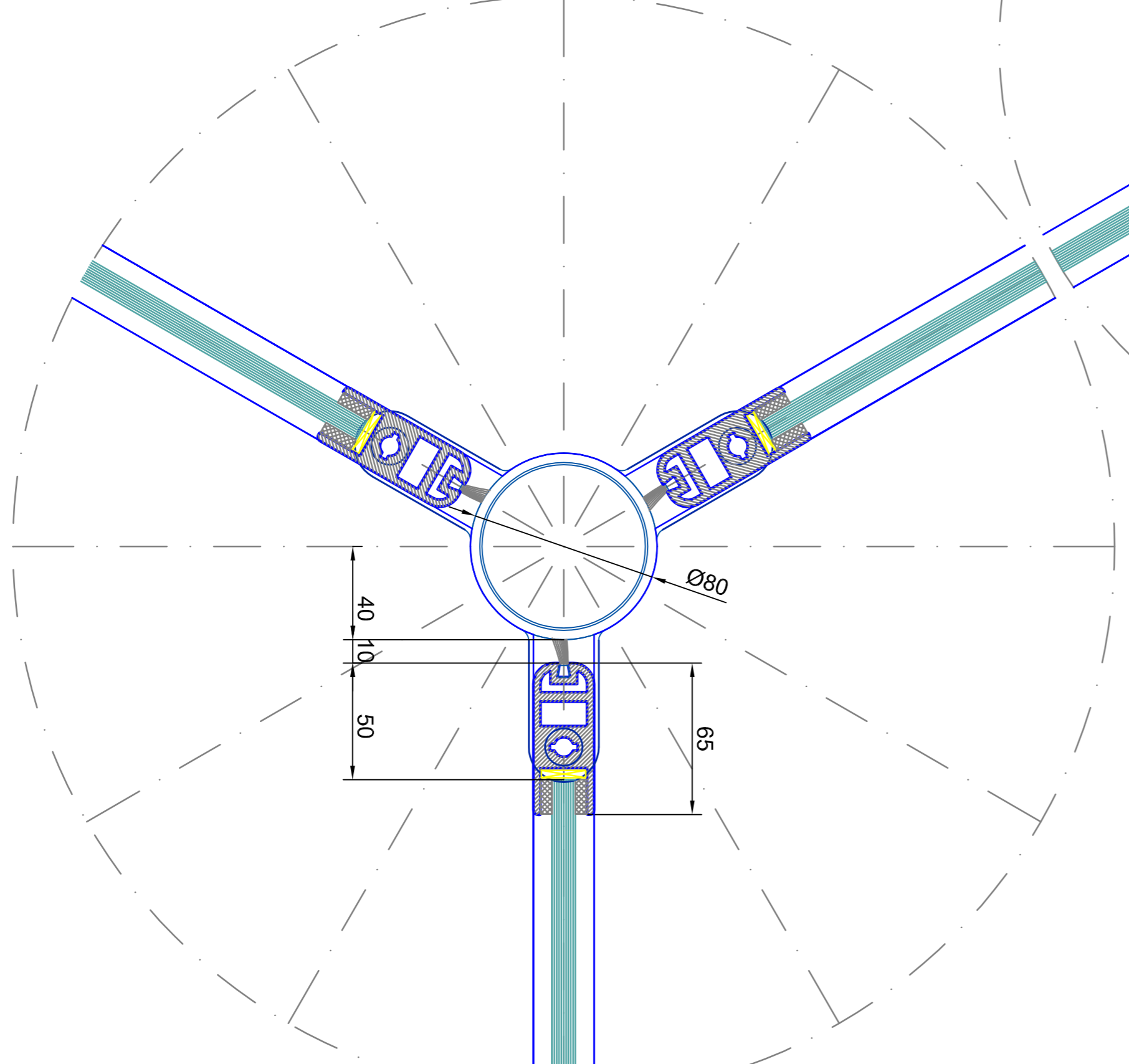
detail I



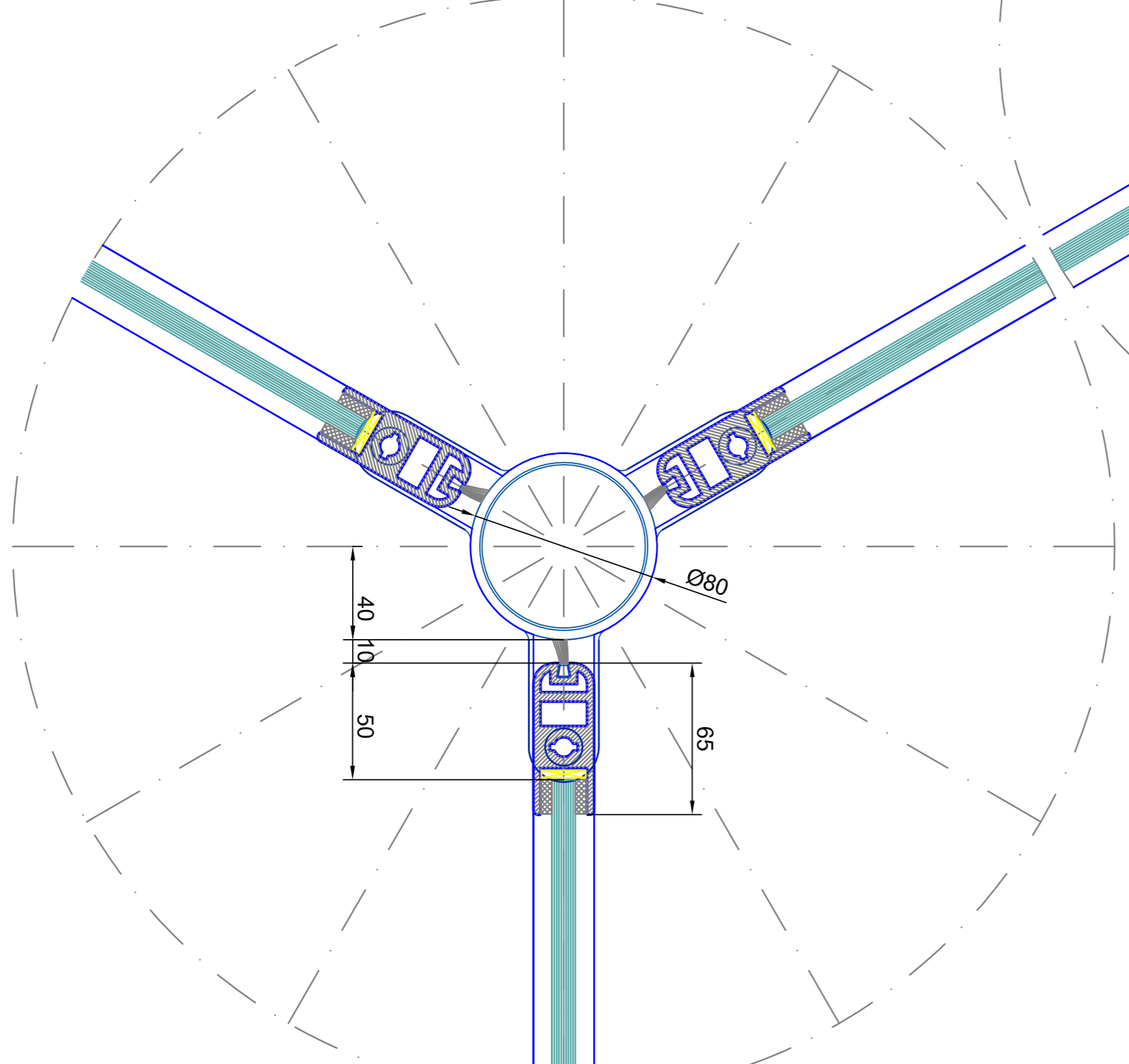
detail I



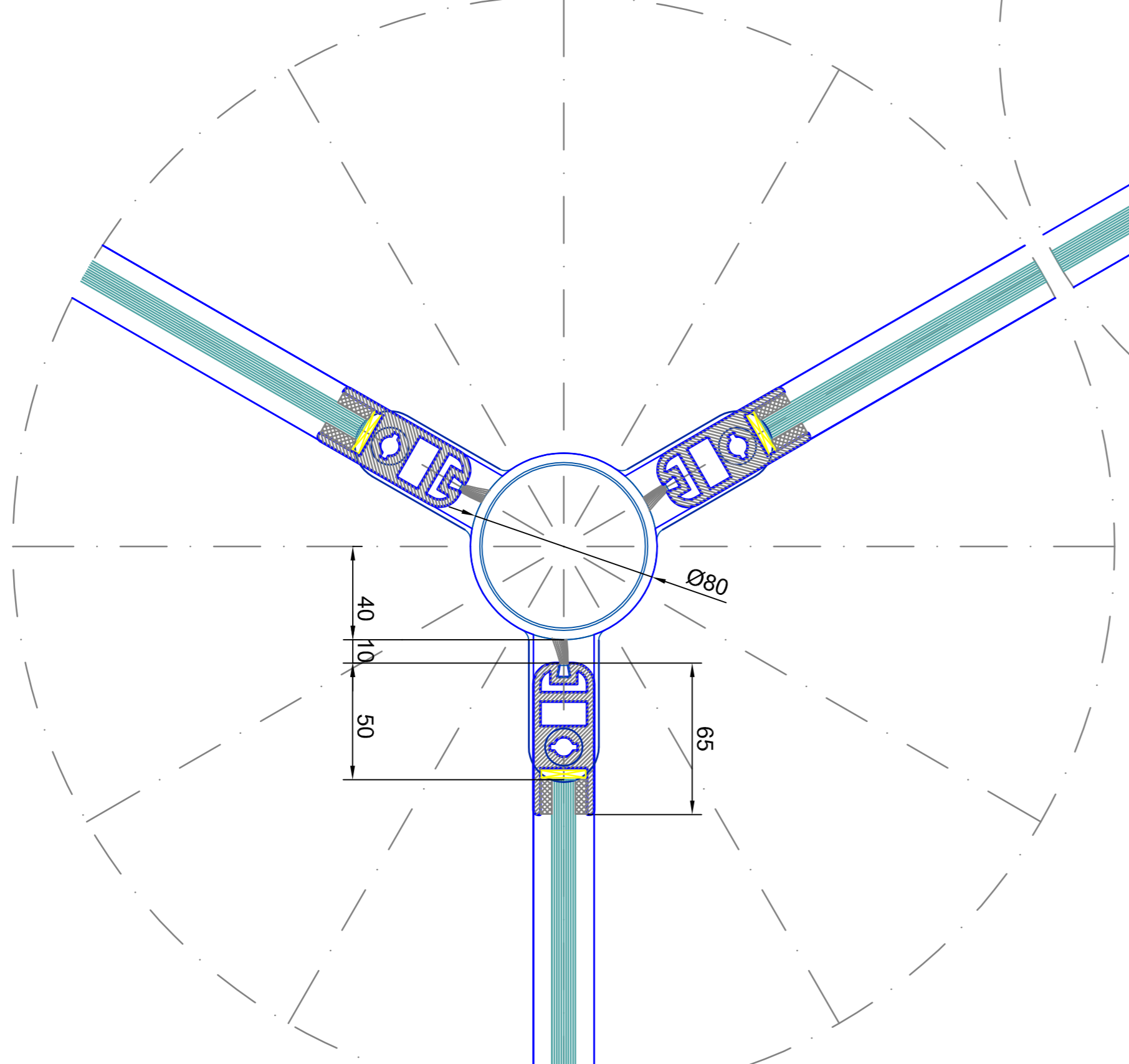
detail I



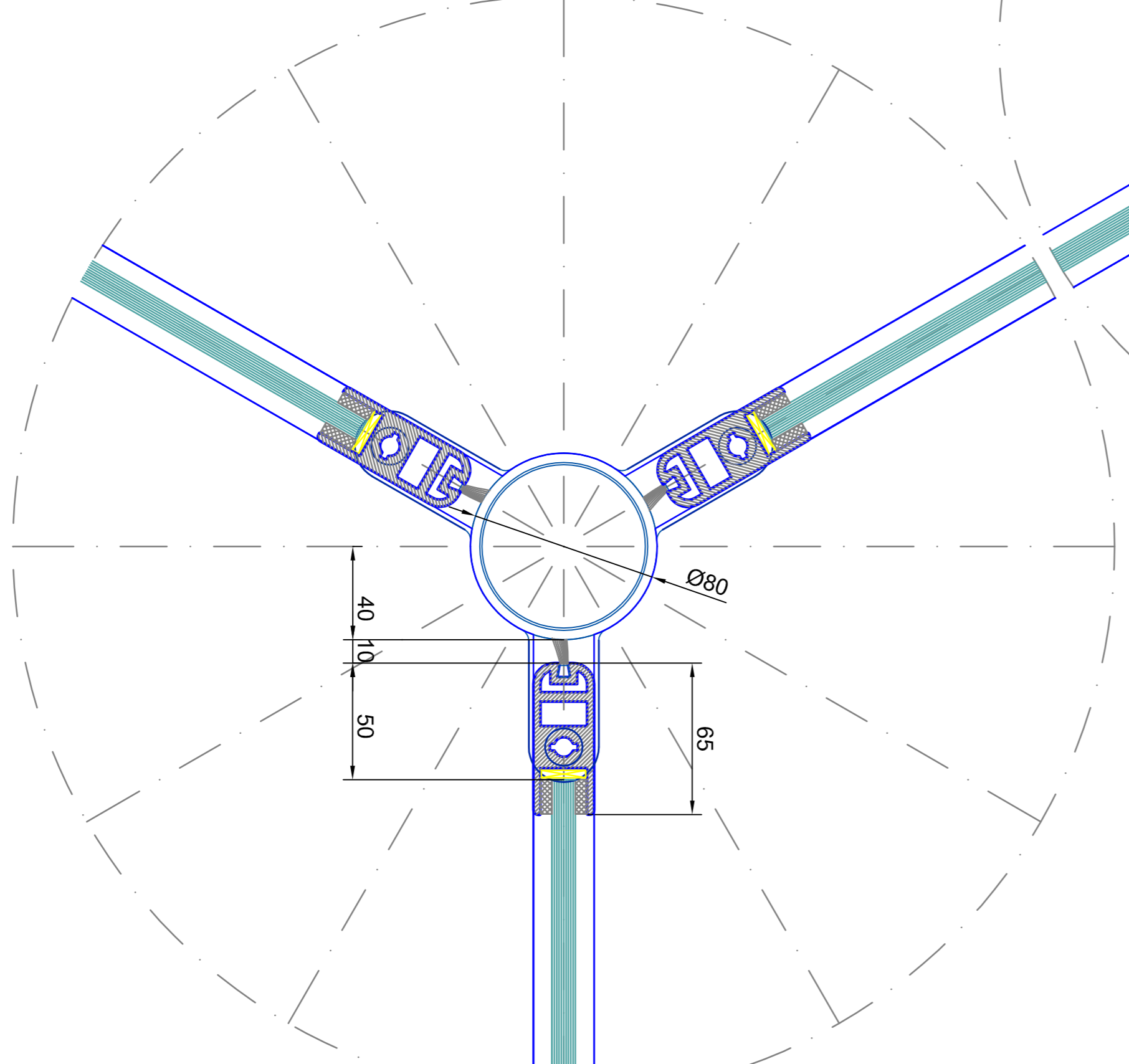
detail I



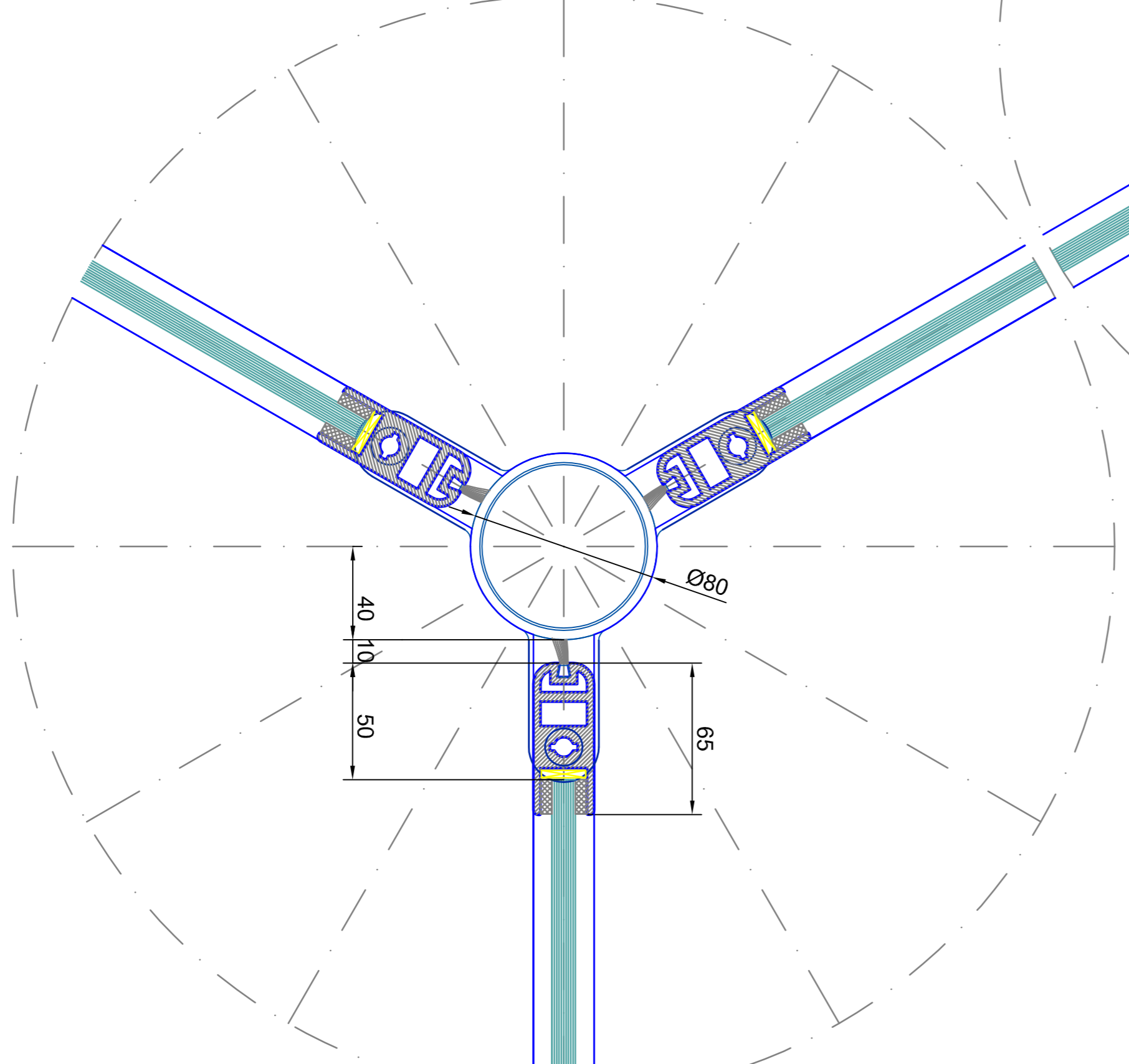
detail I



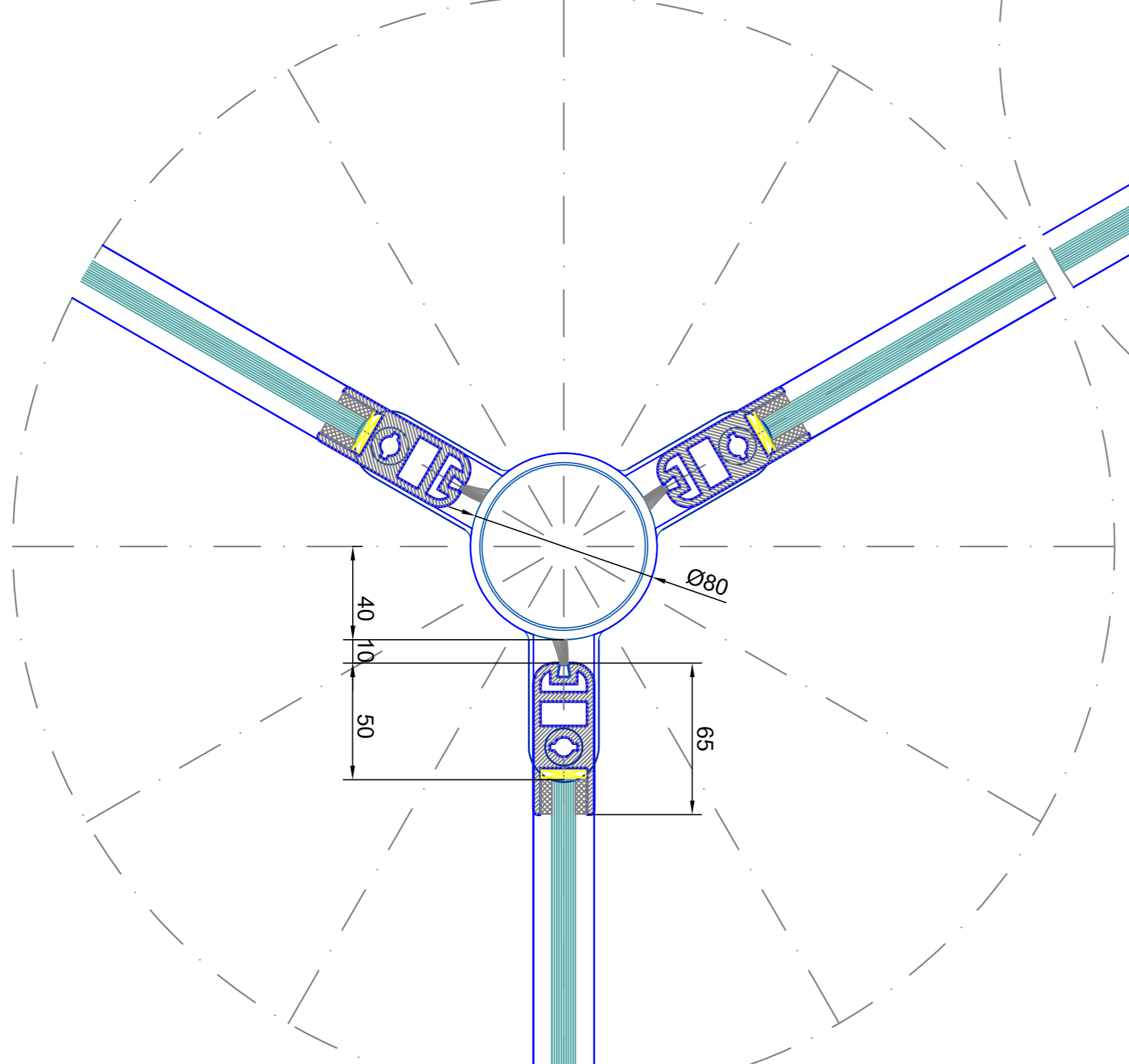
detail I



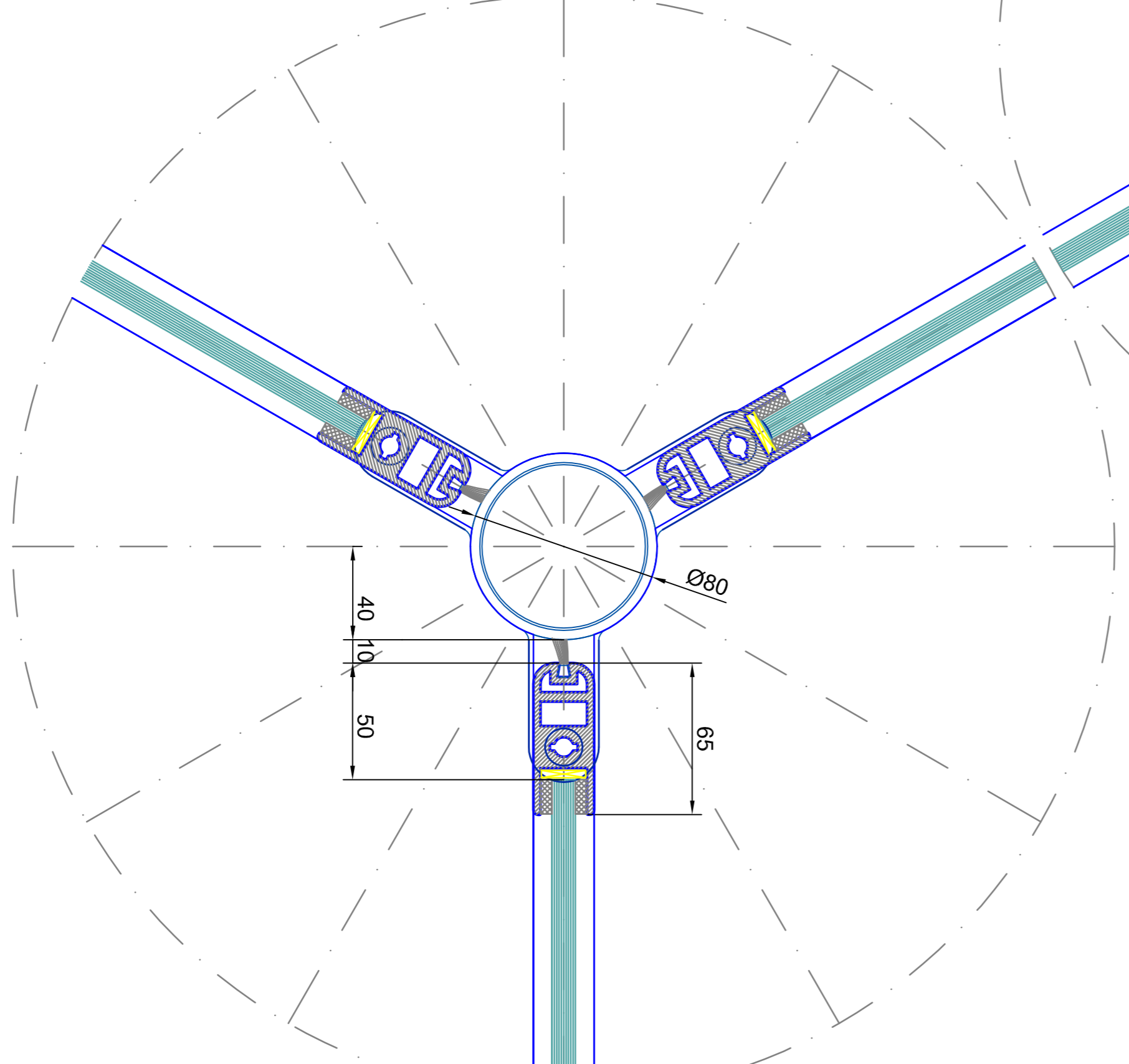
detail I



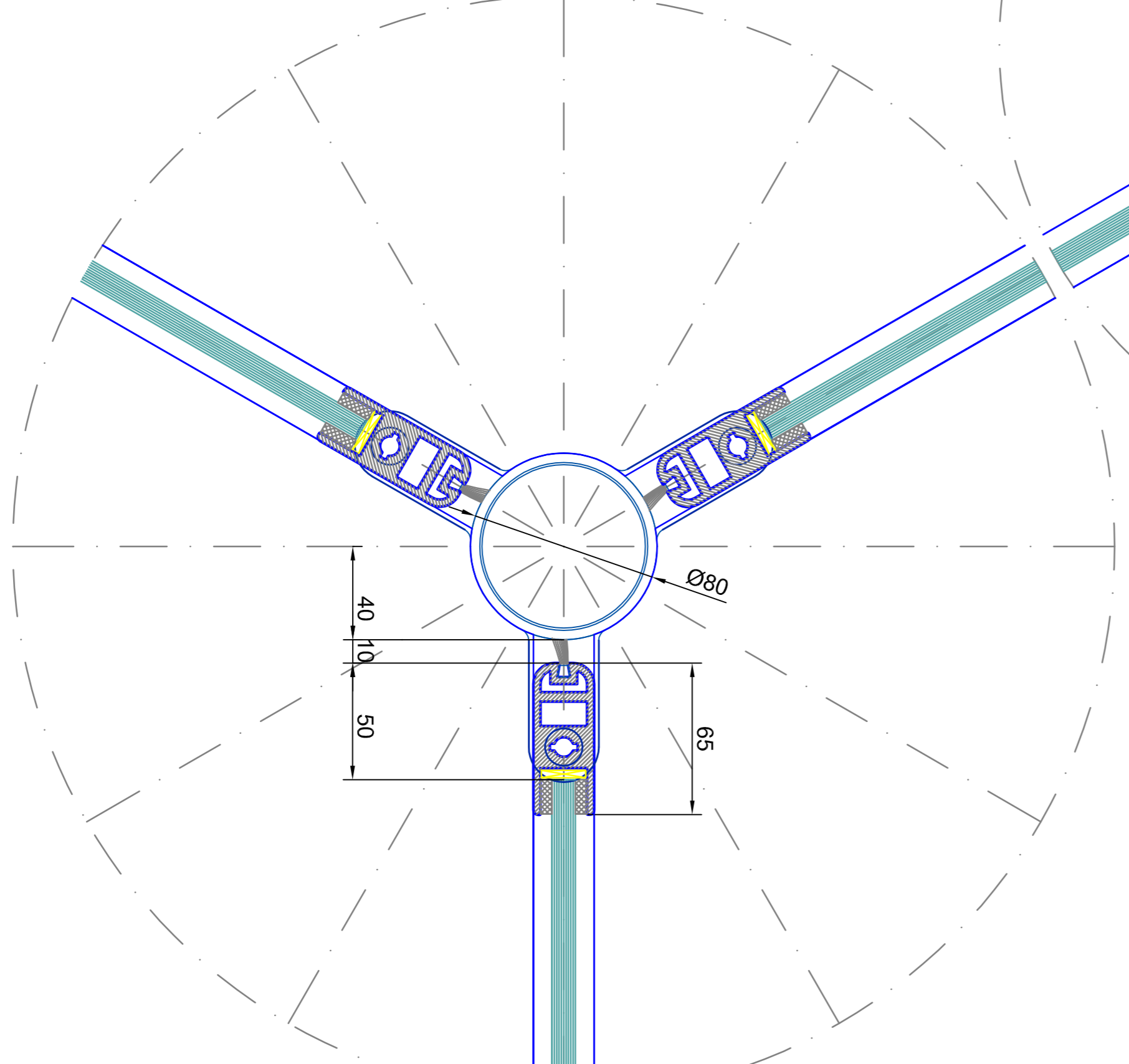
detail I



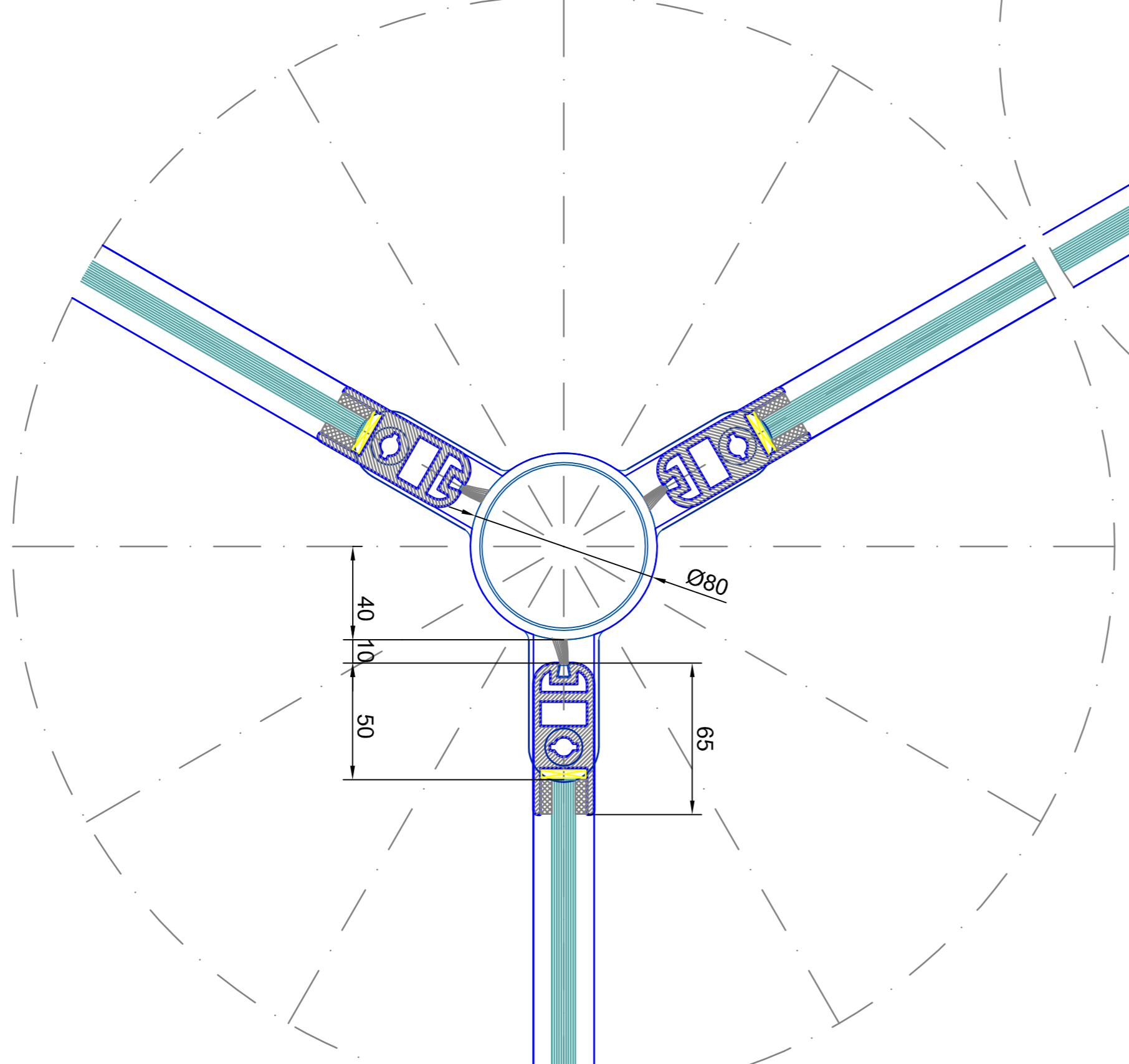
detail I



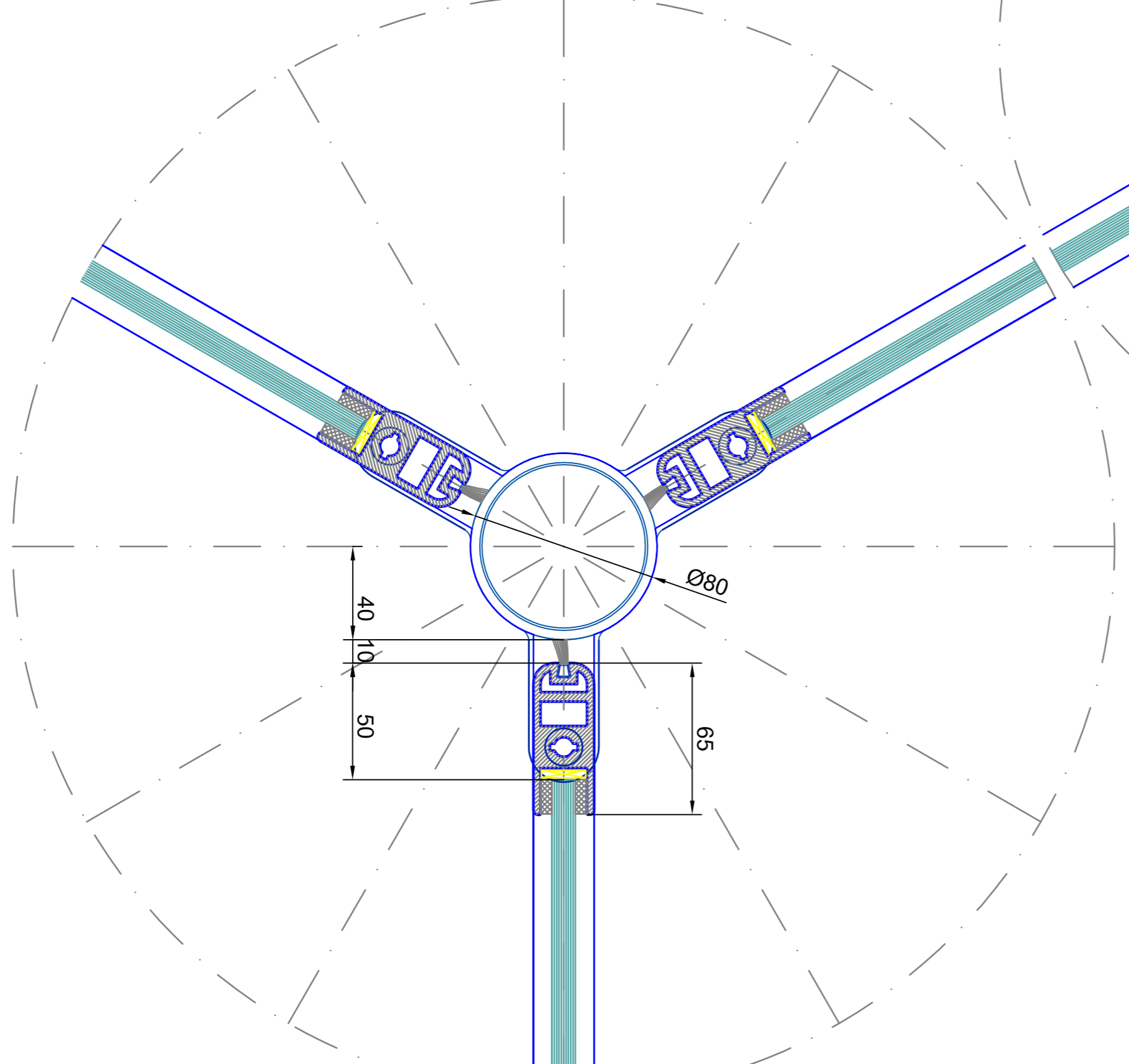
detail I



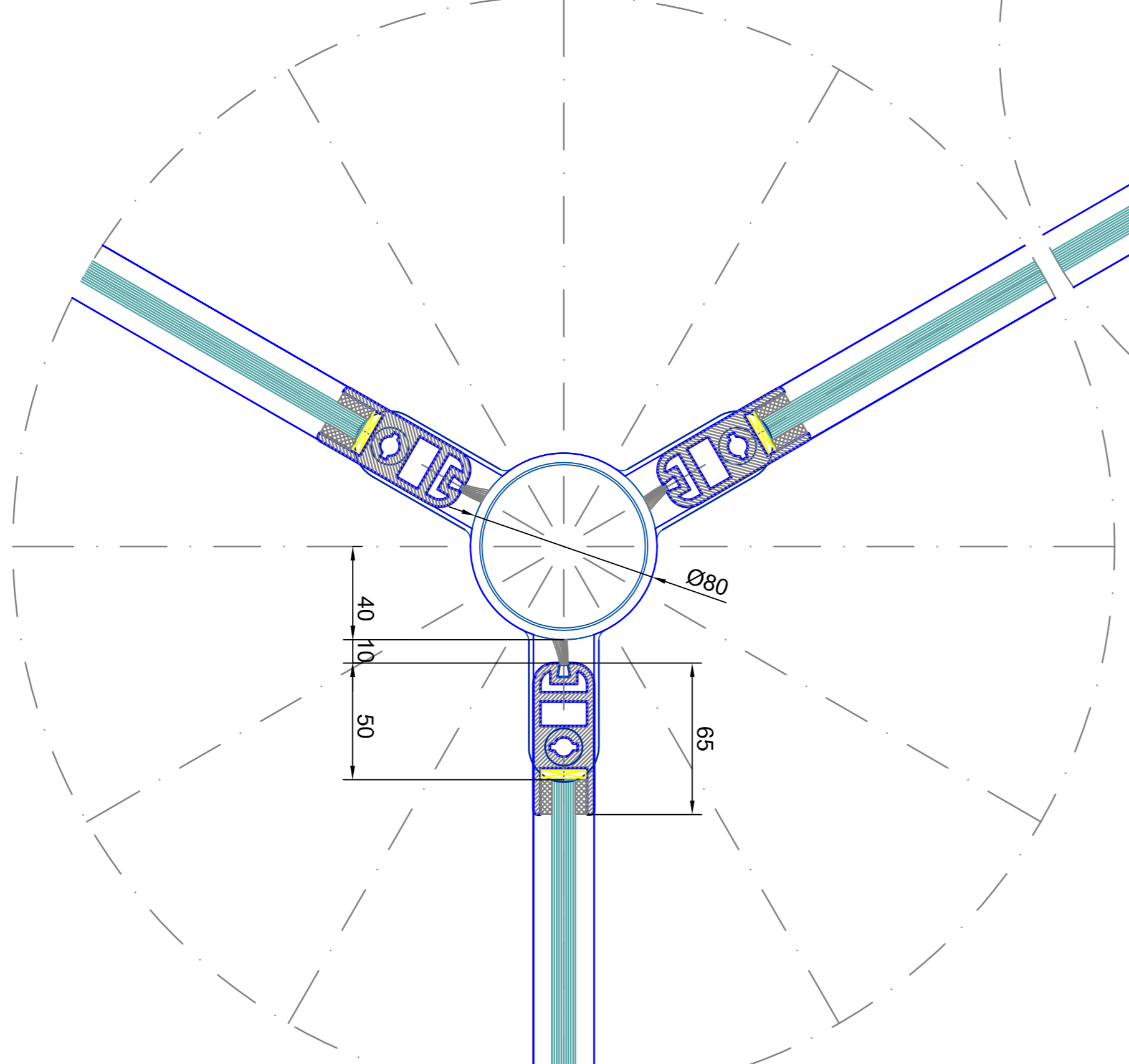
detail I



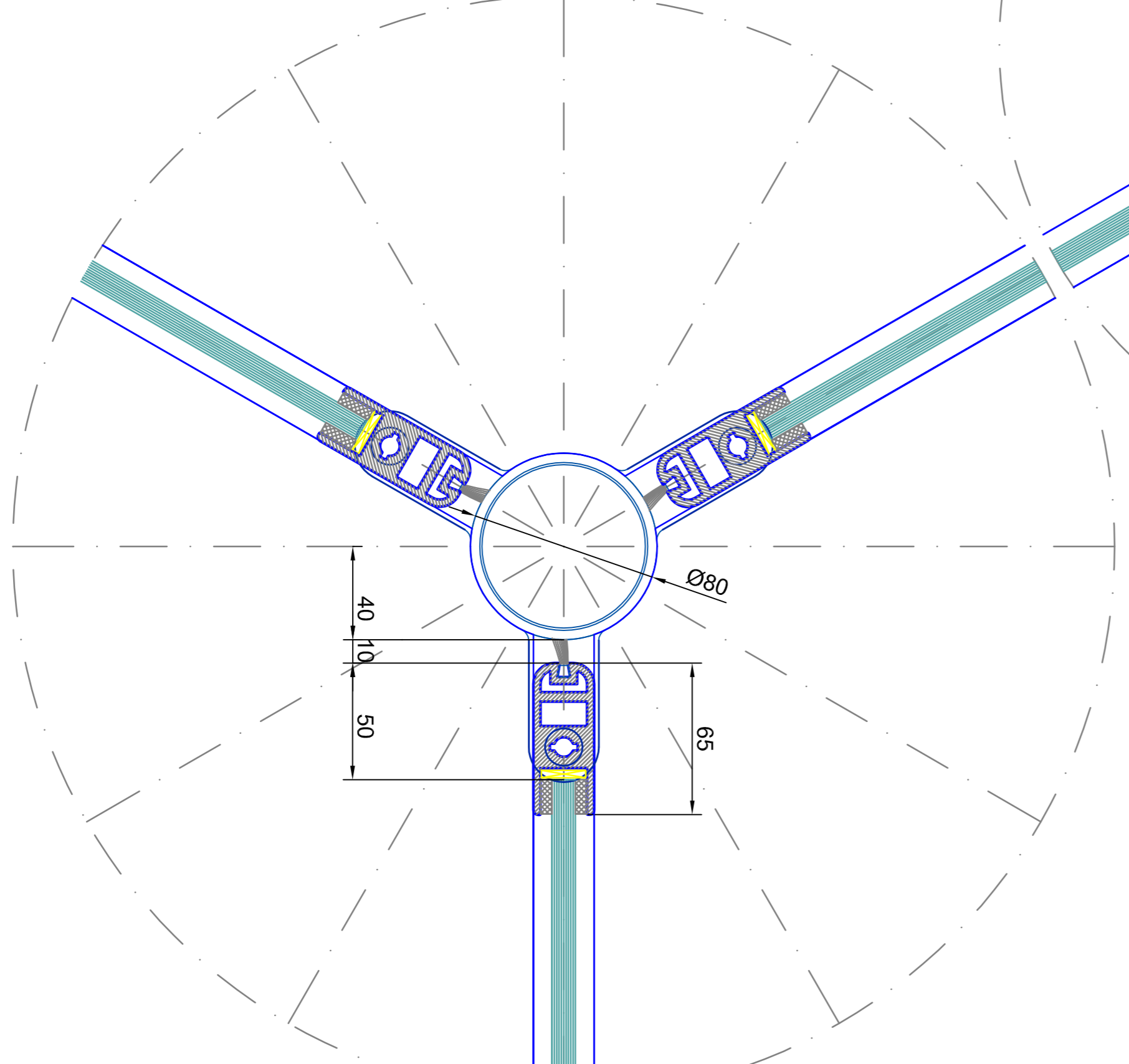
detail I



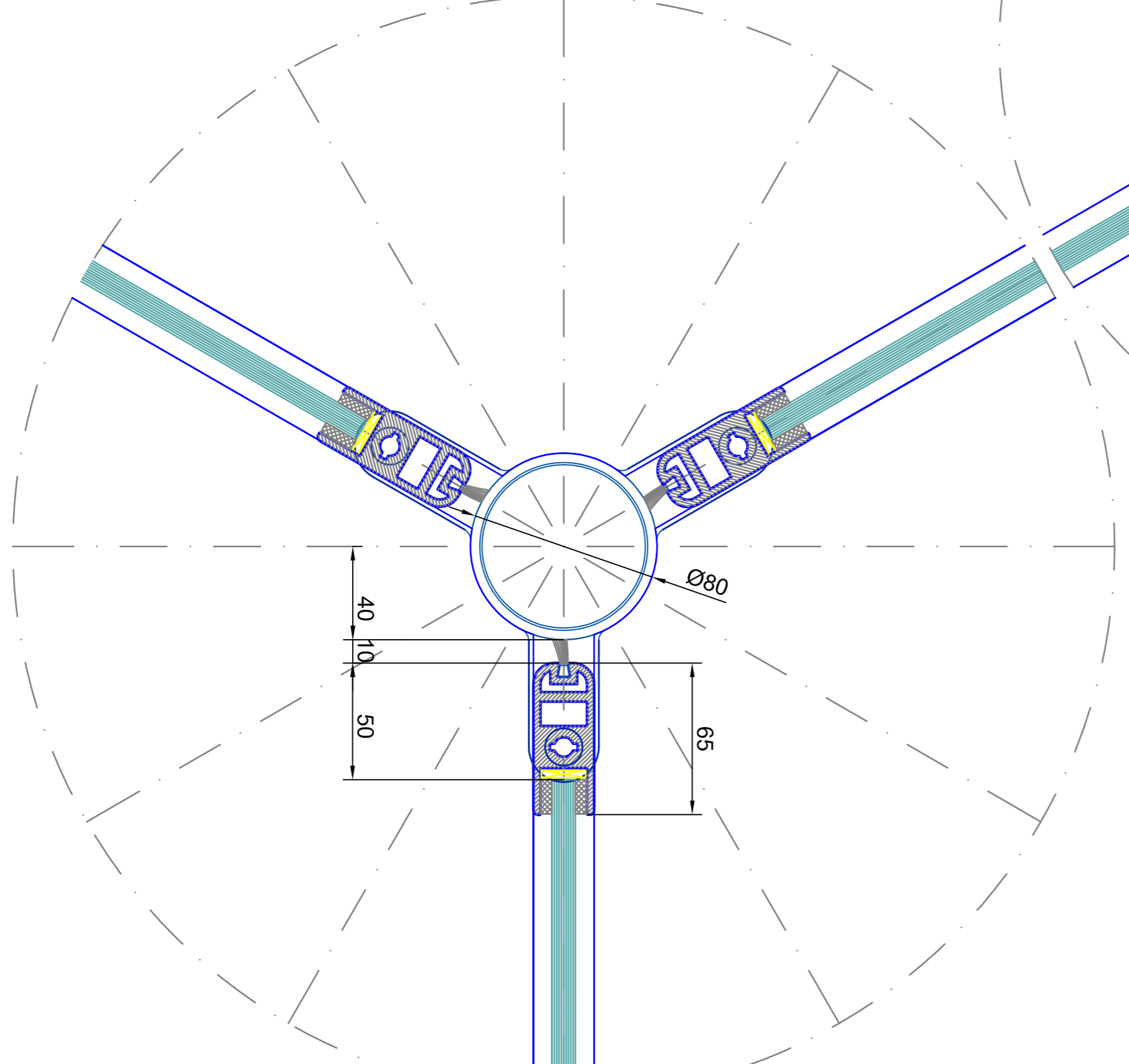
detail I



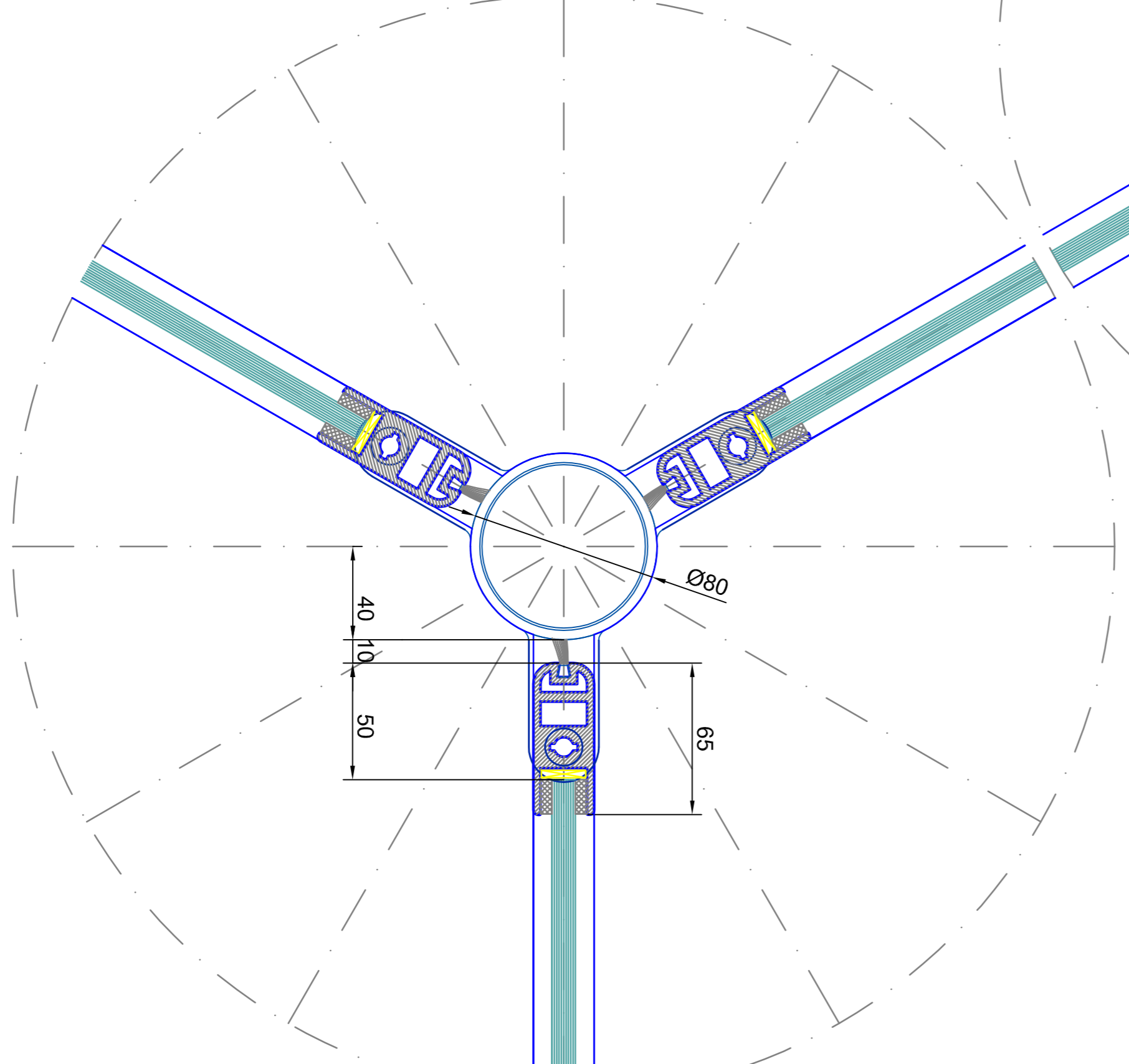
detail I



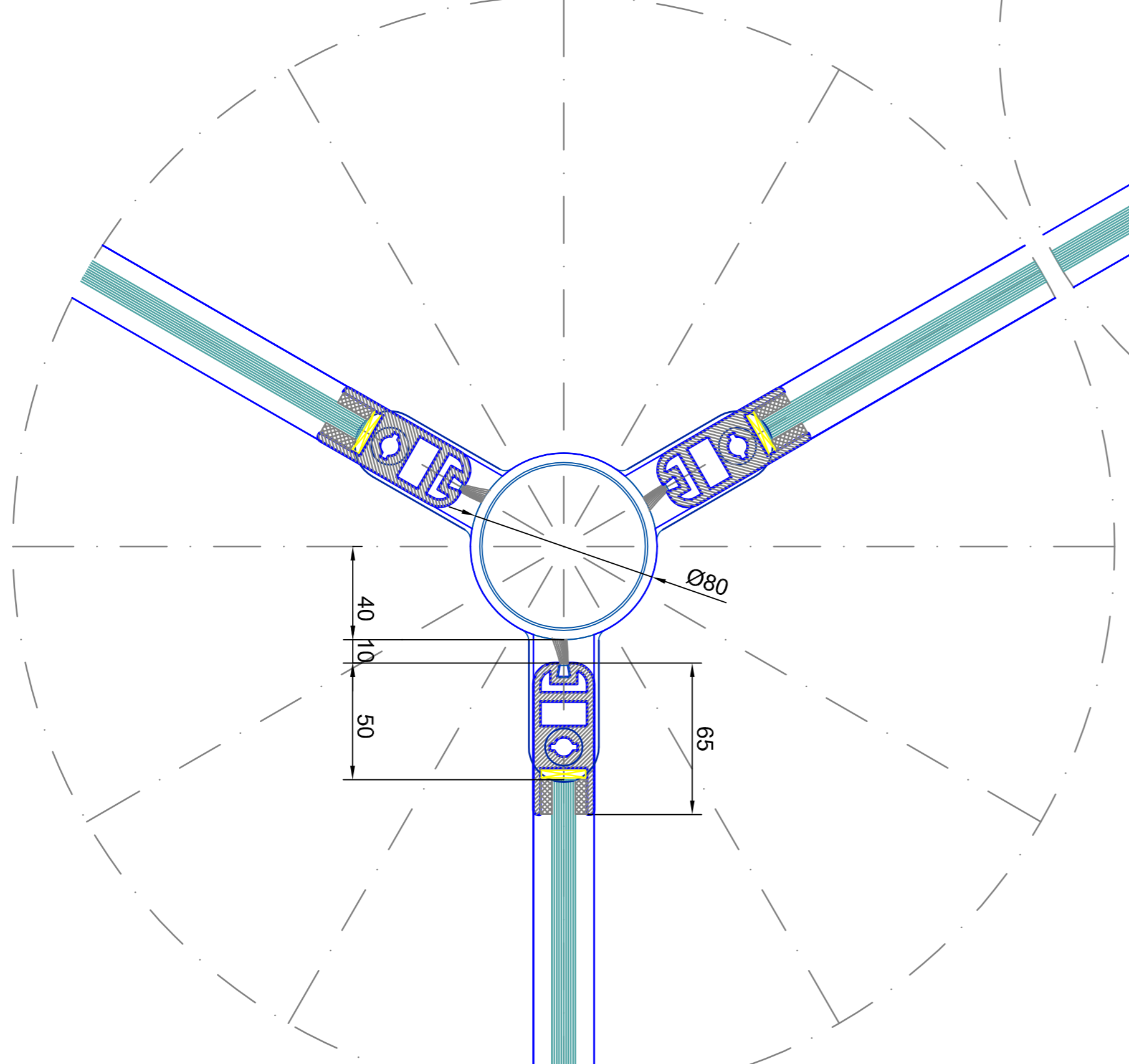
detail I



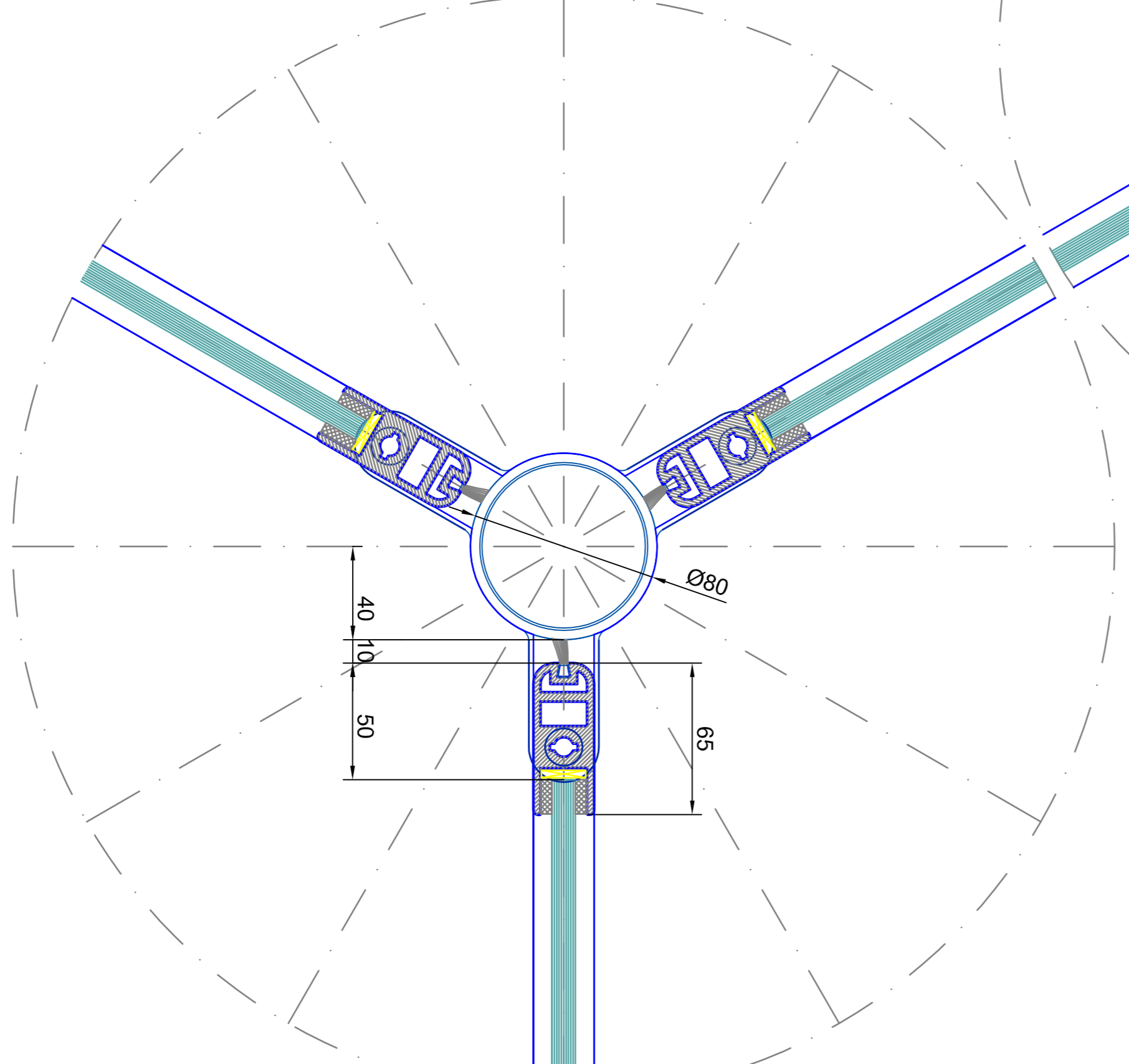
detail I



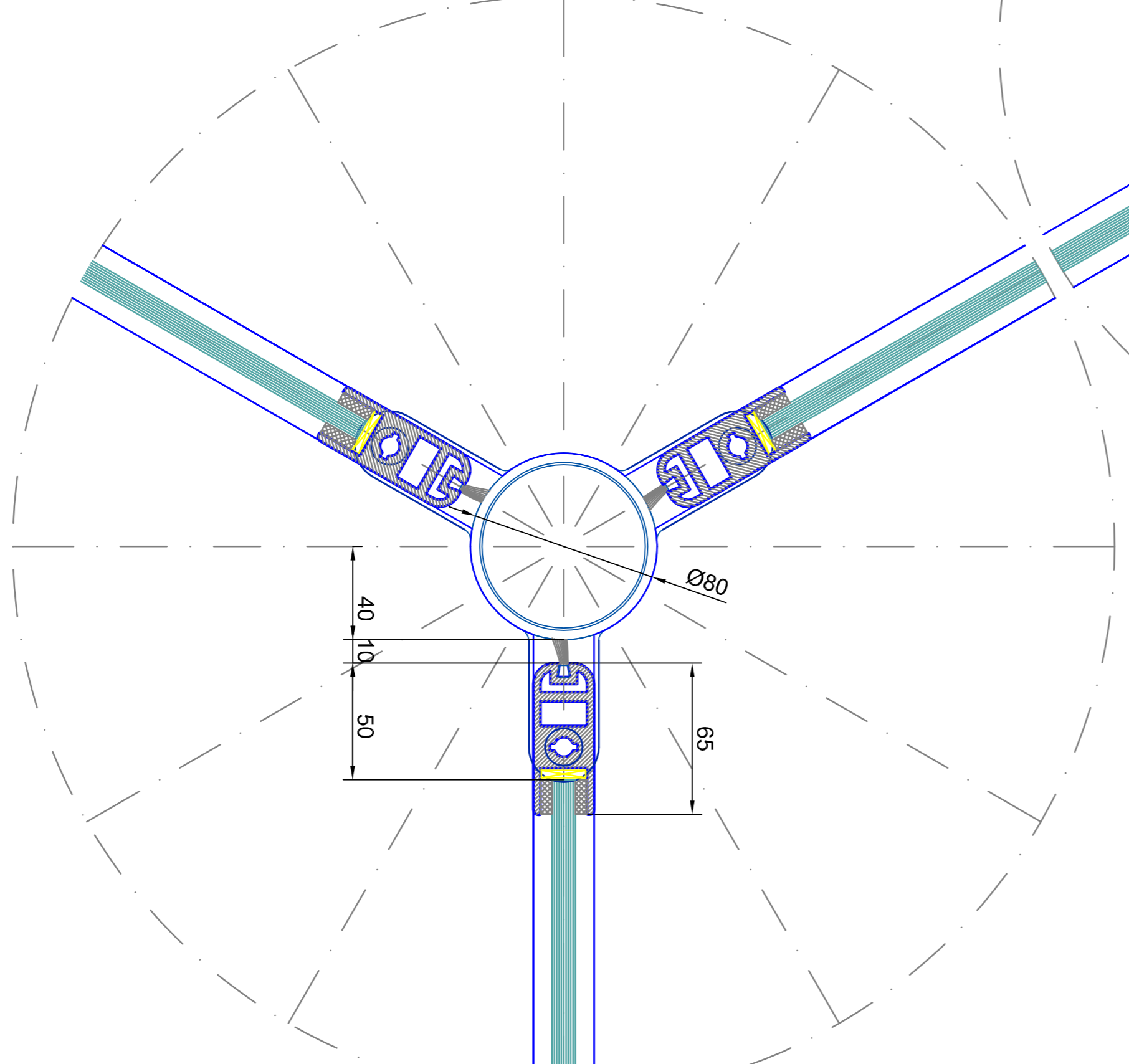
detail I



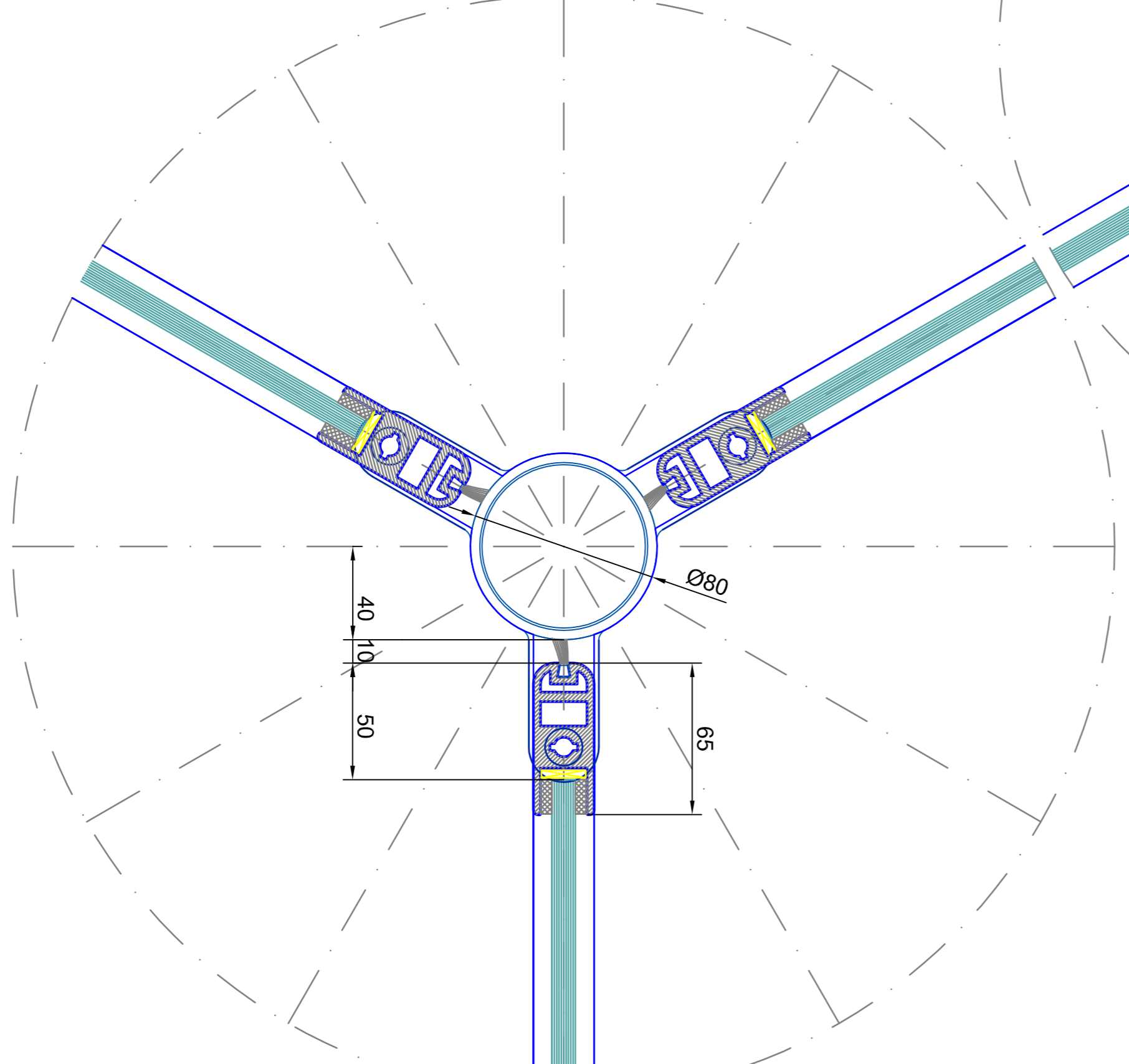
detail I



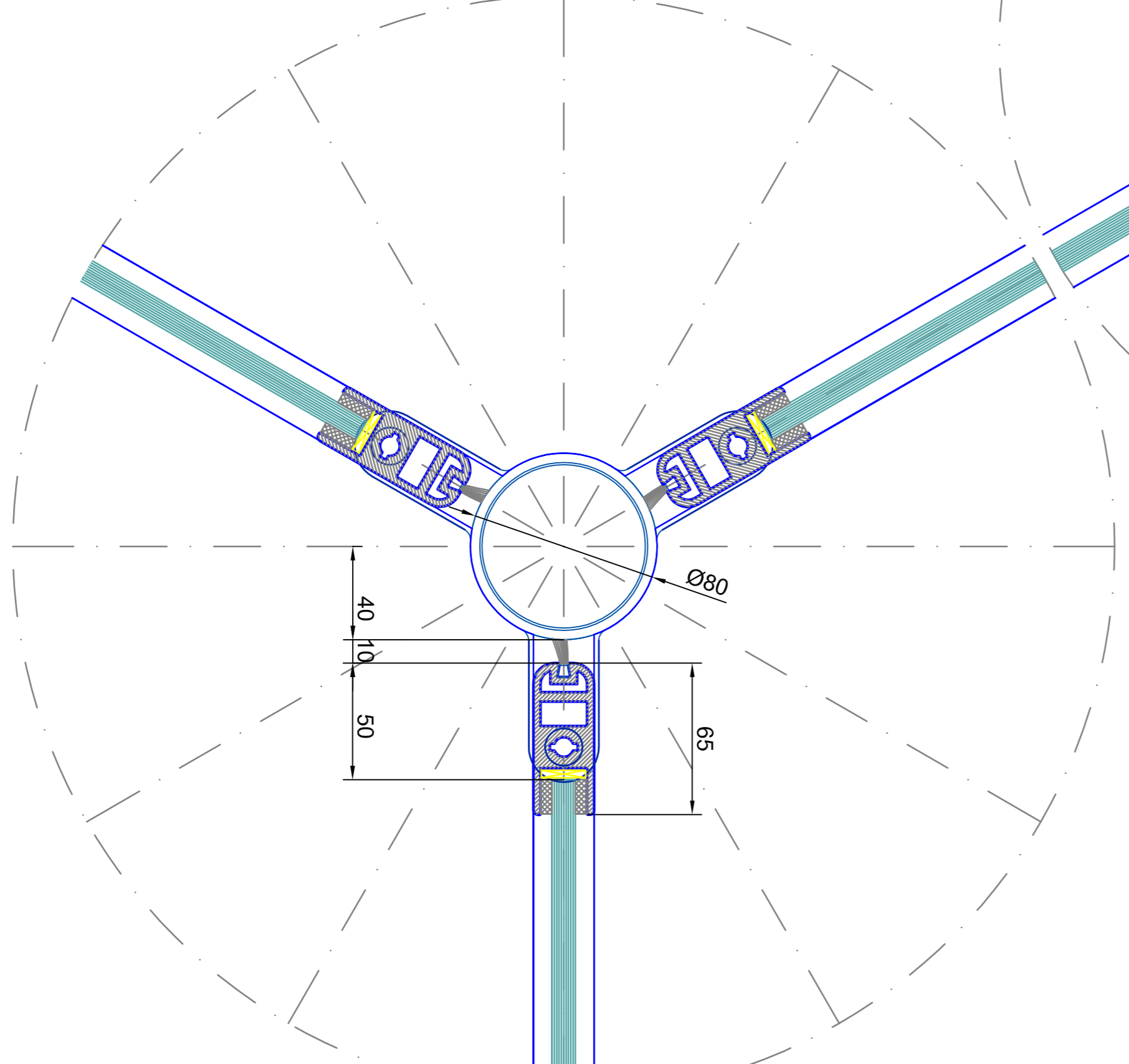
detail I



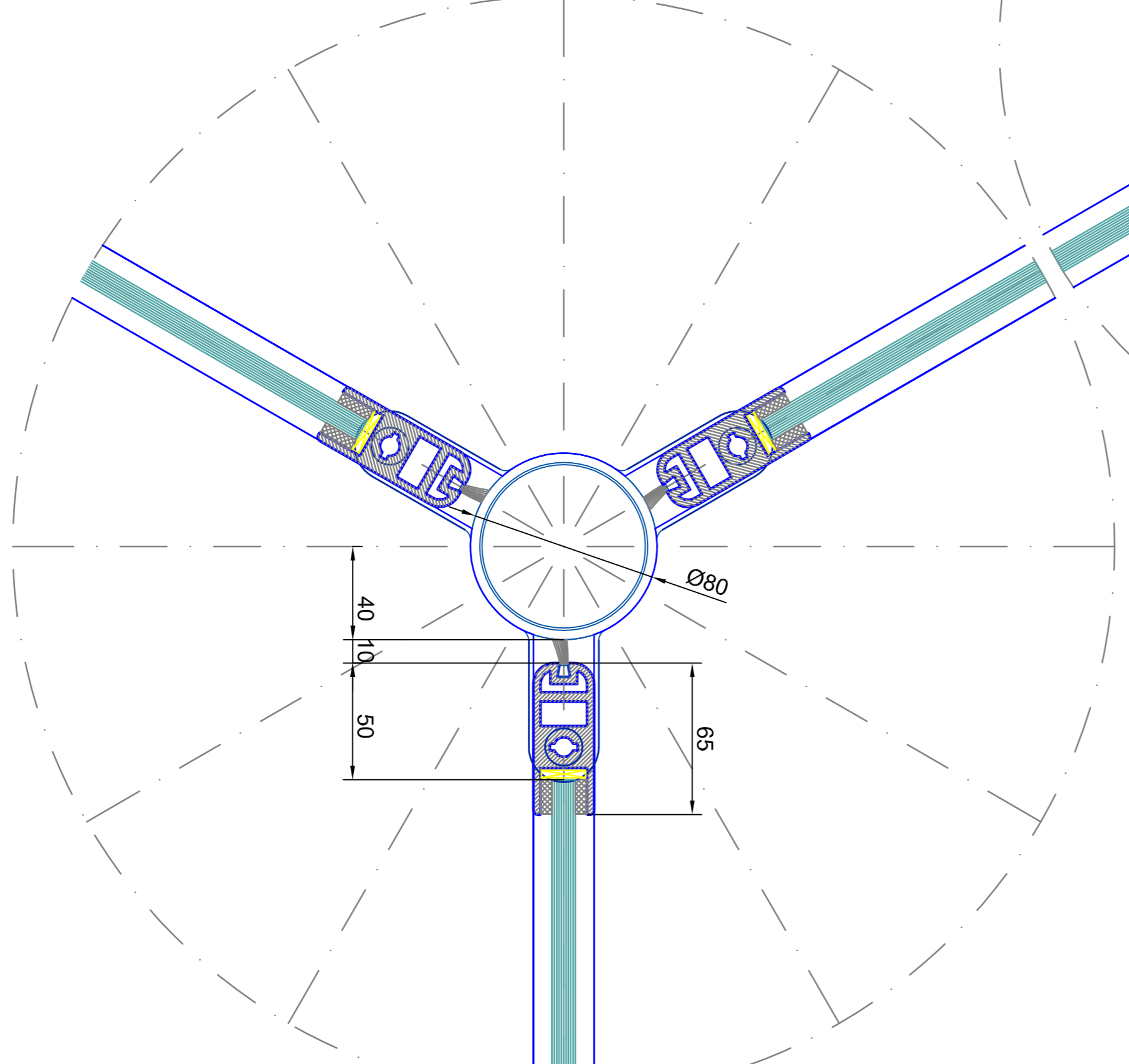
detail I



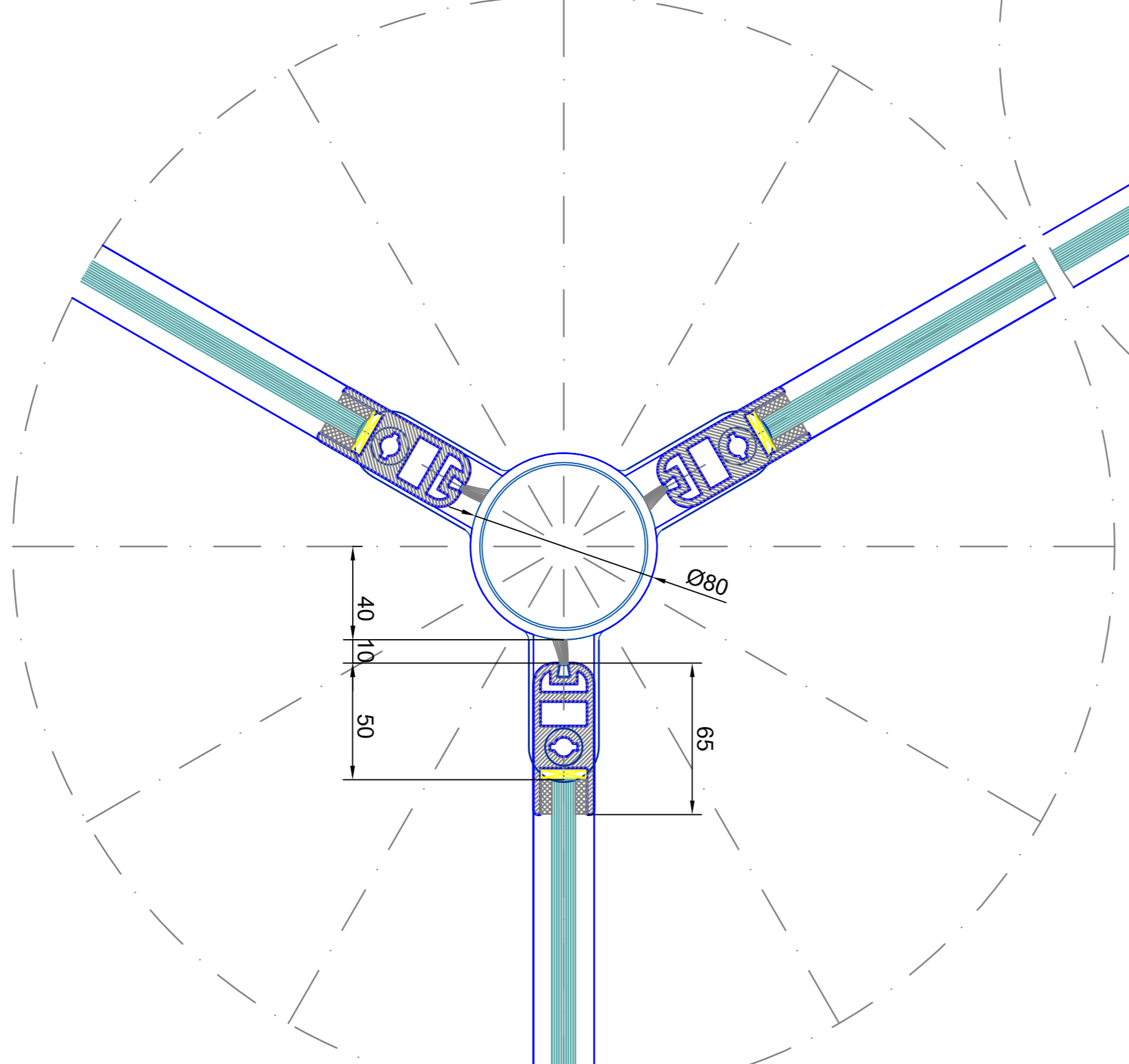
detail I



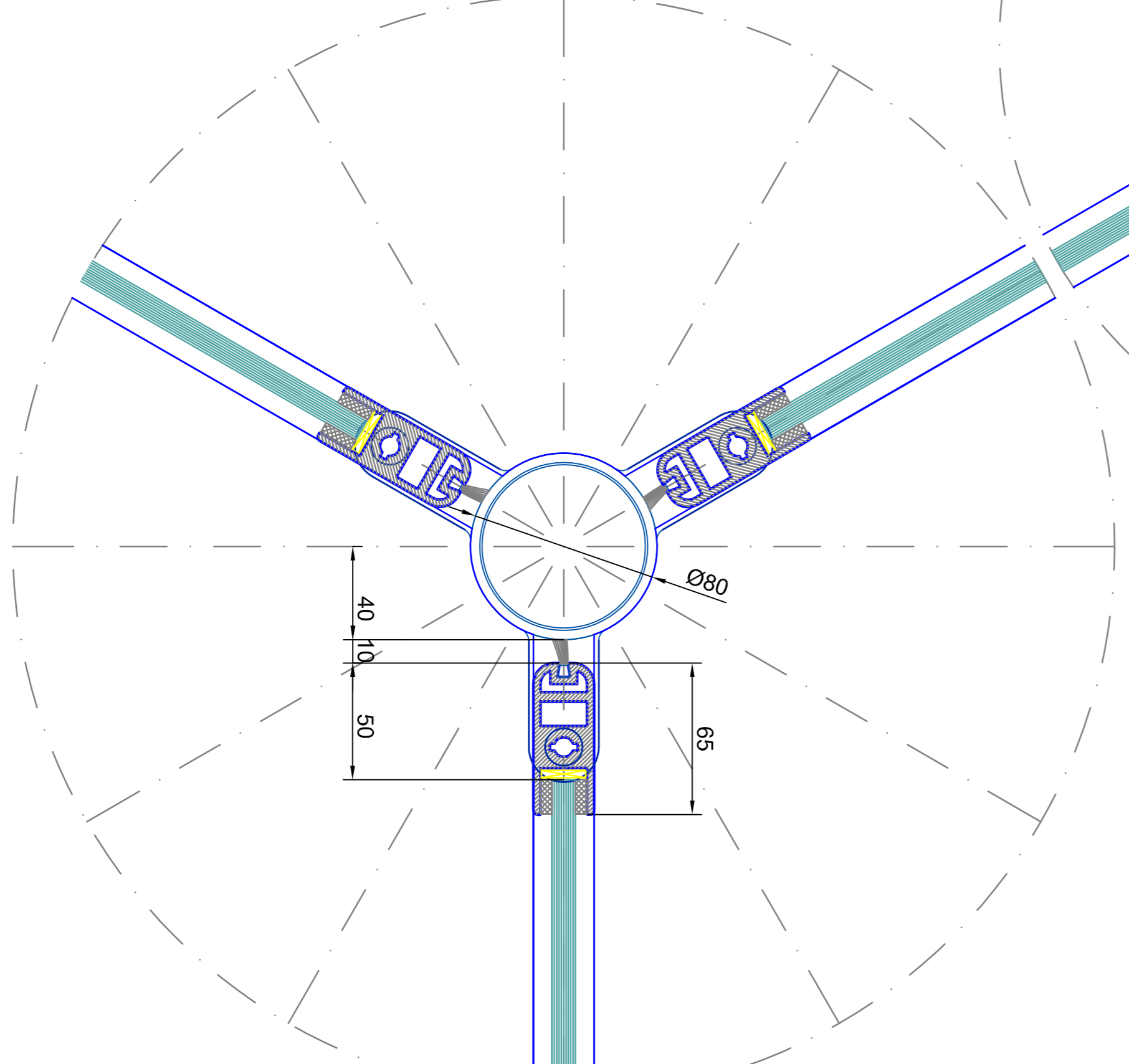
detail I



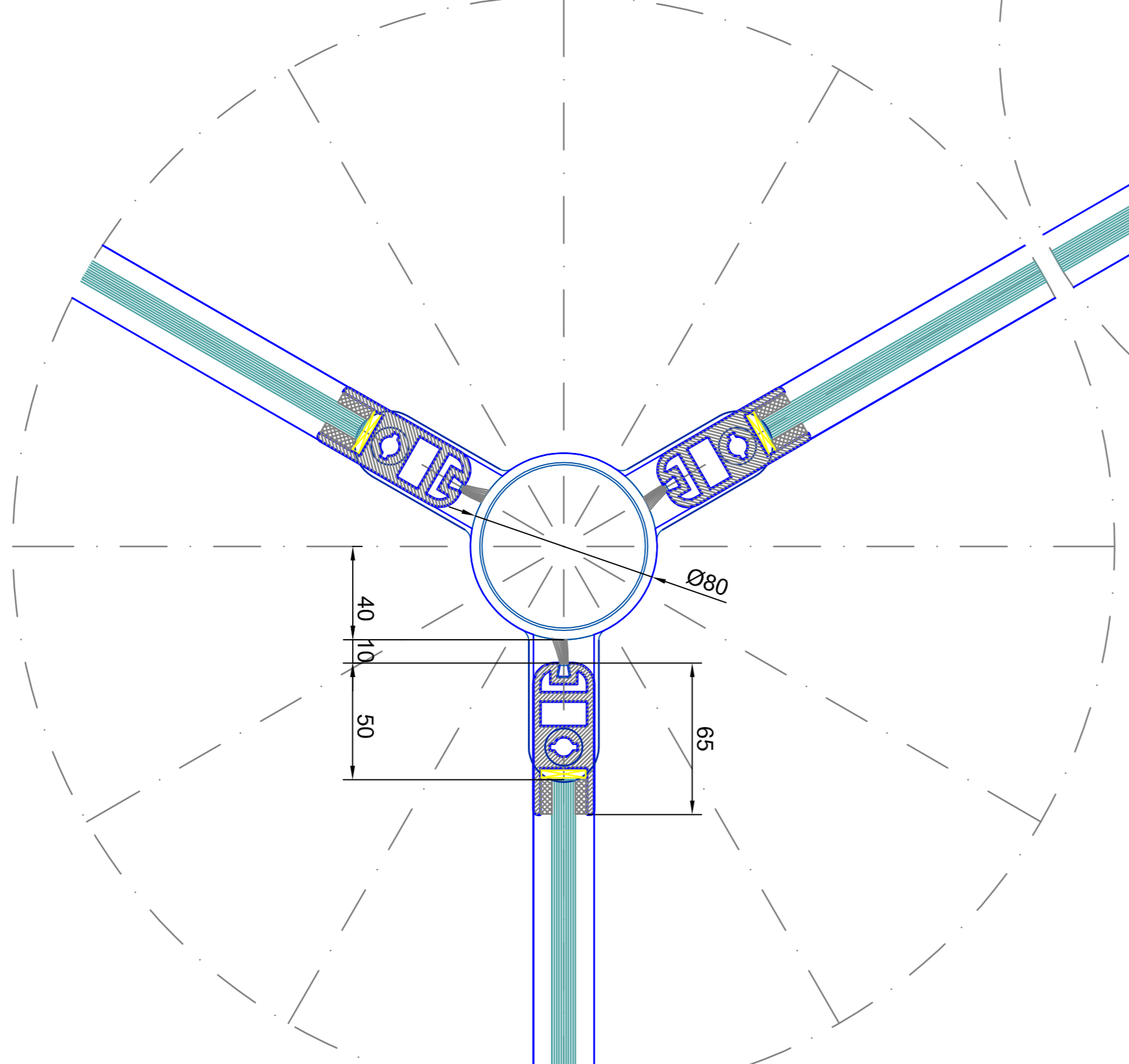
detail I



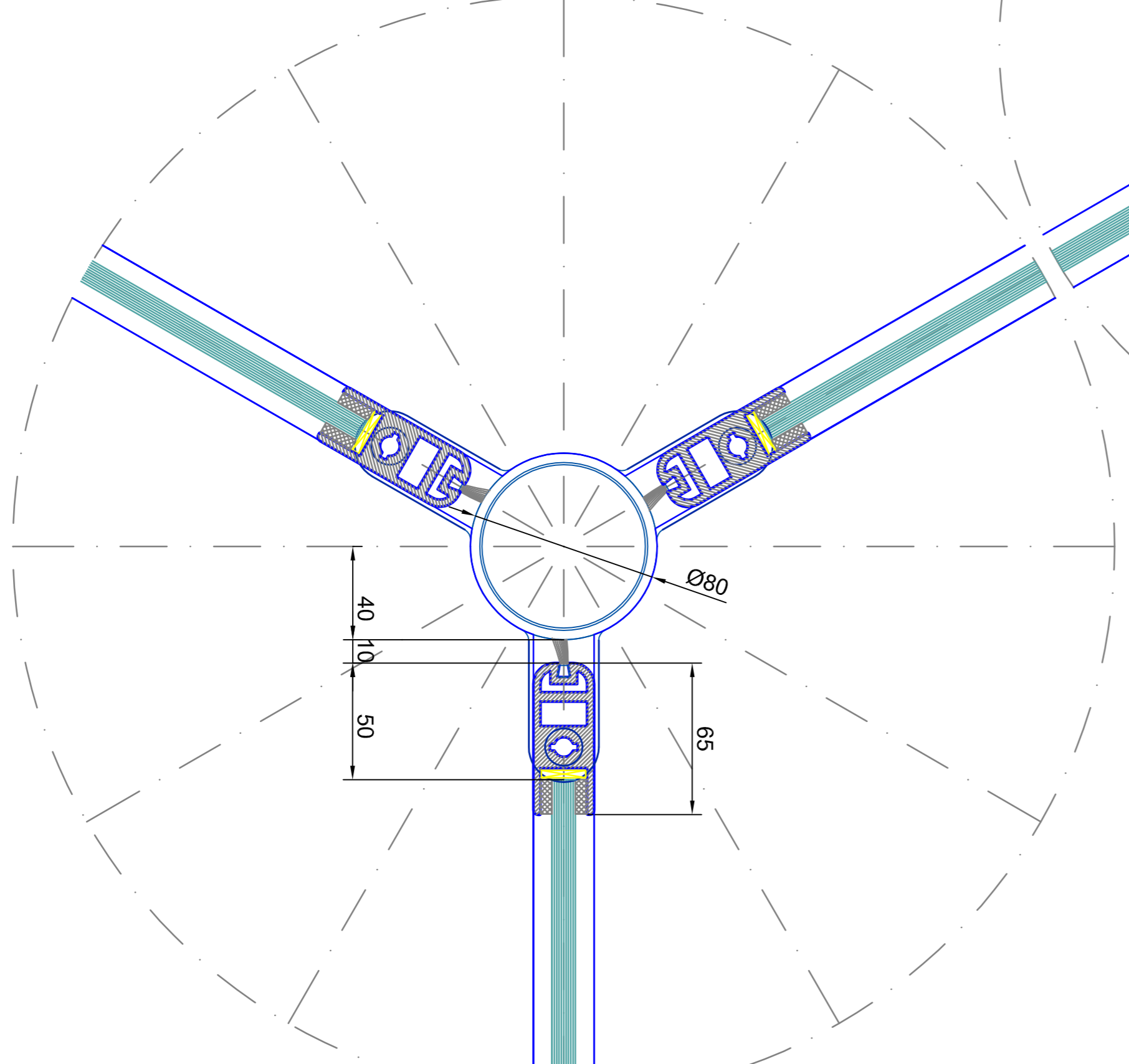
detail I



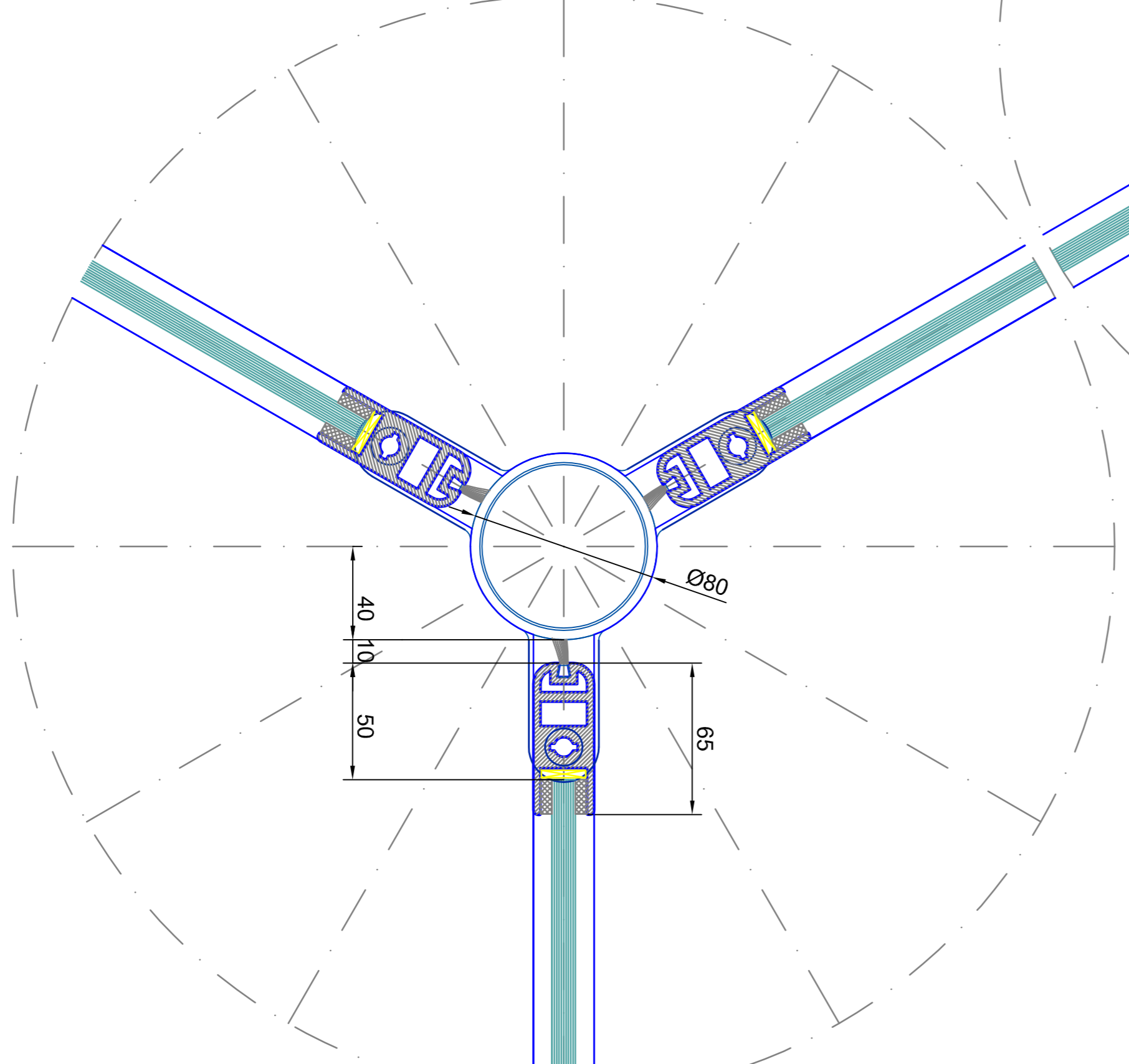
detail I



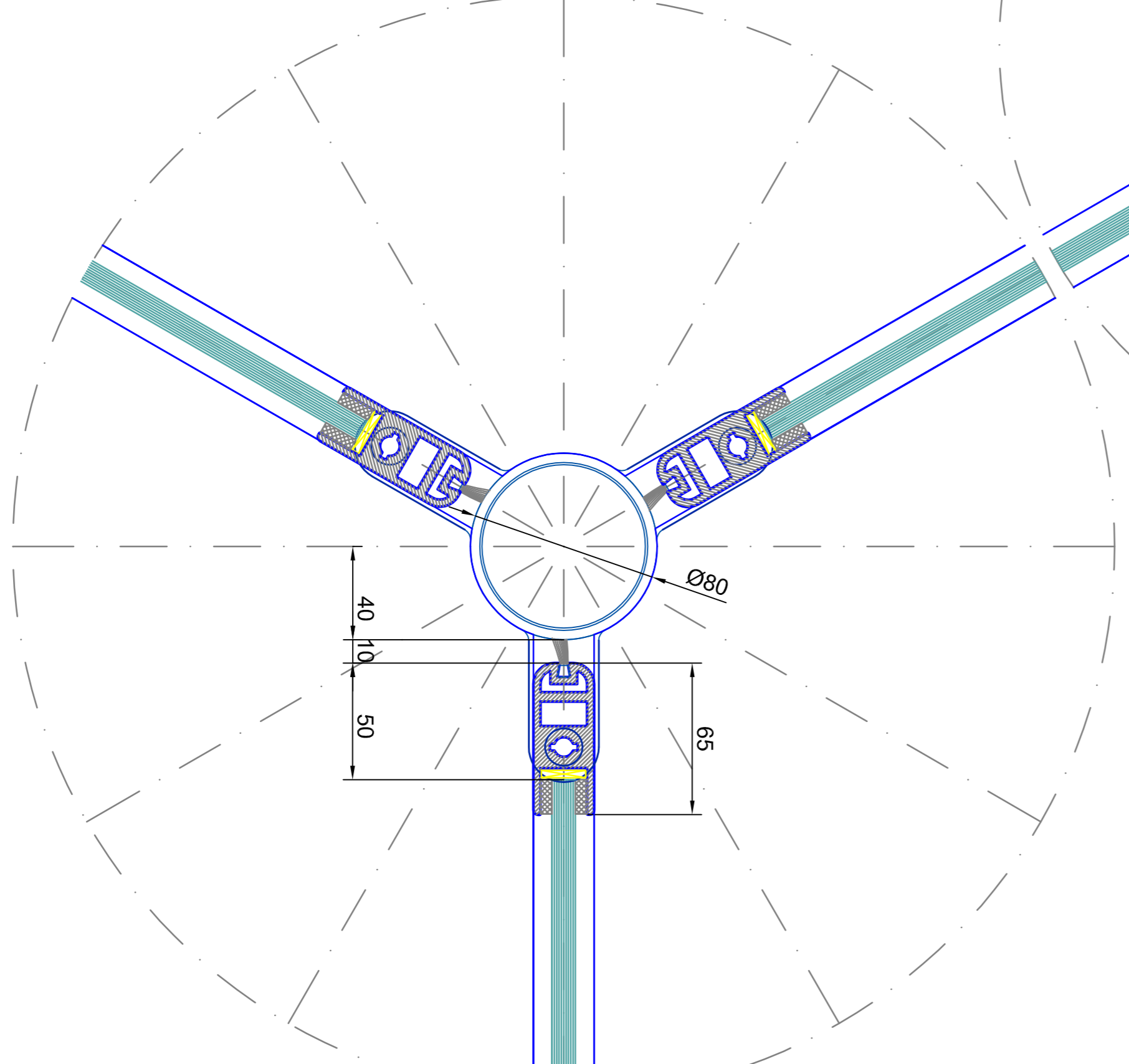
detail I



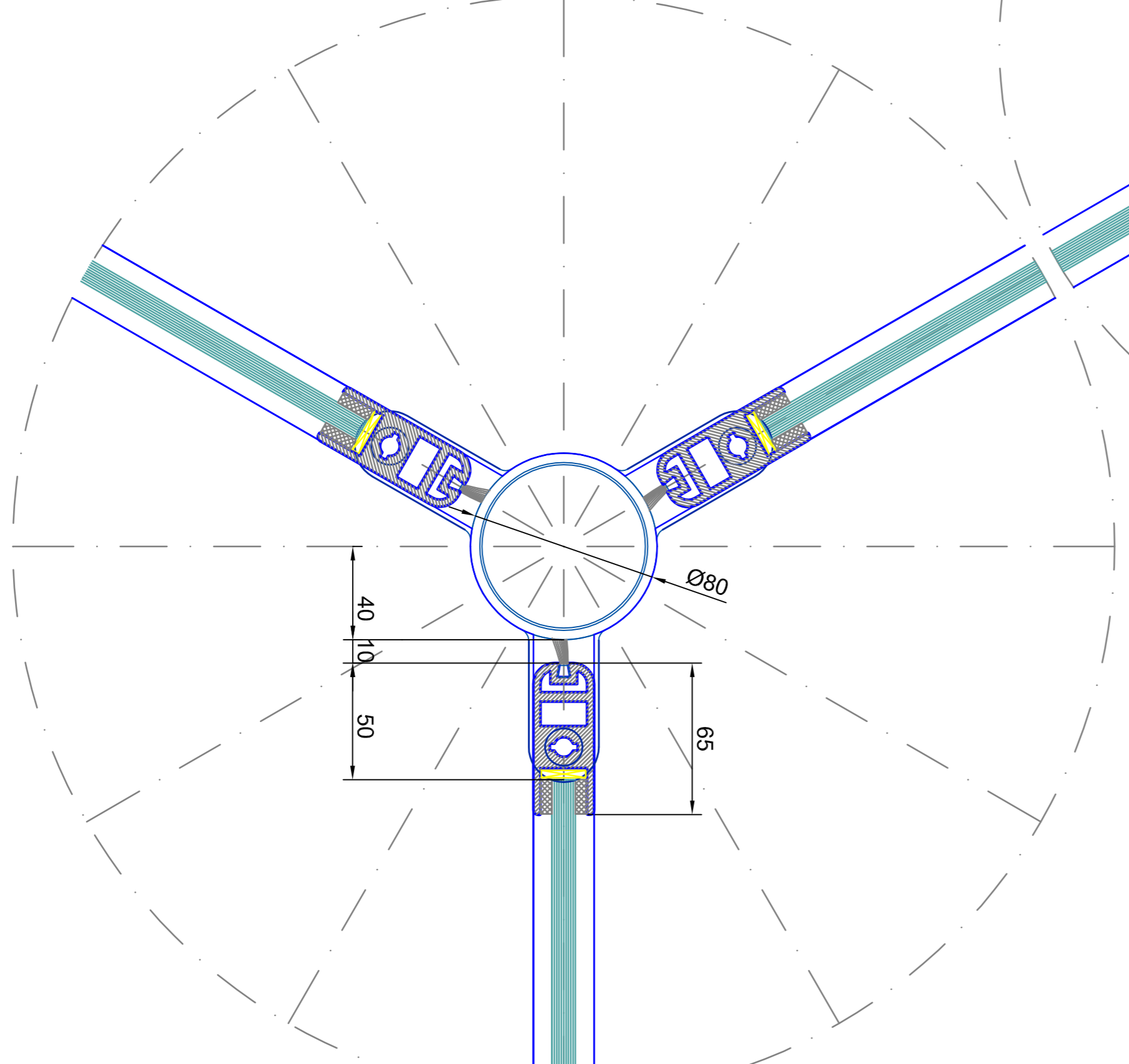
detail I



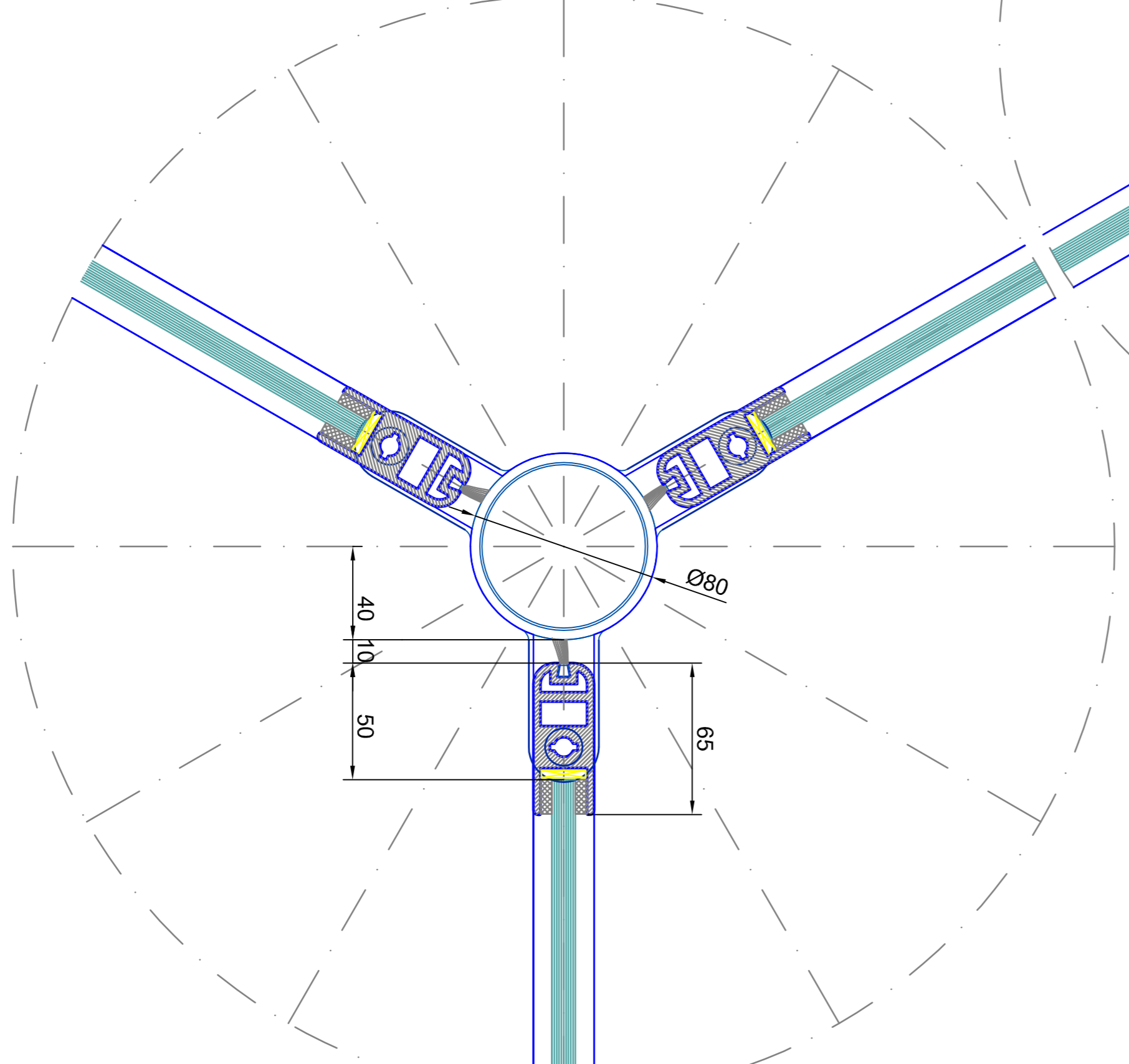
detail I



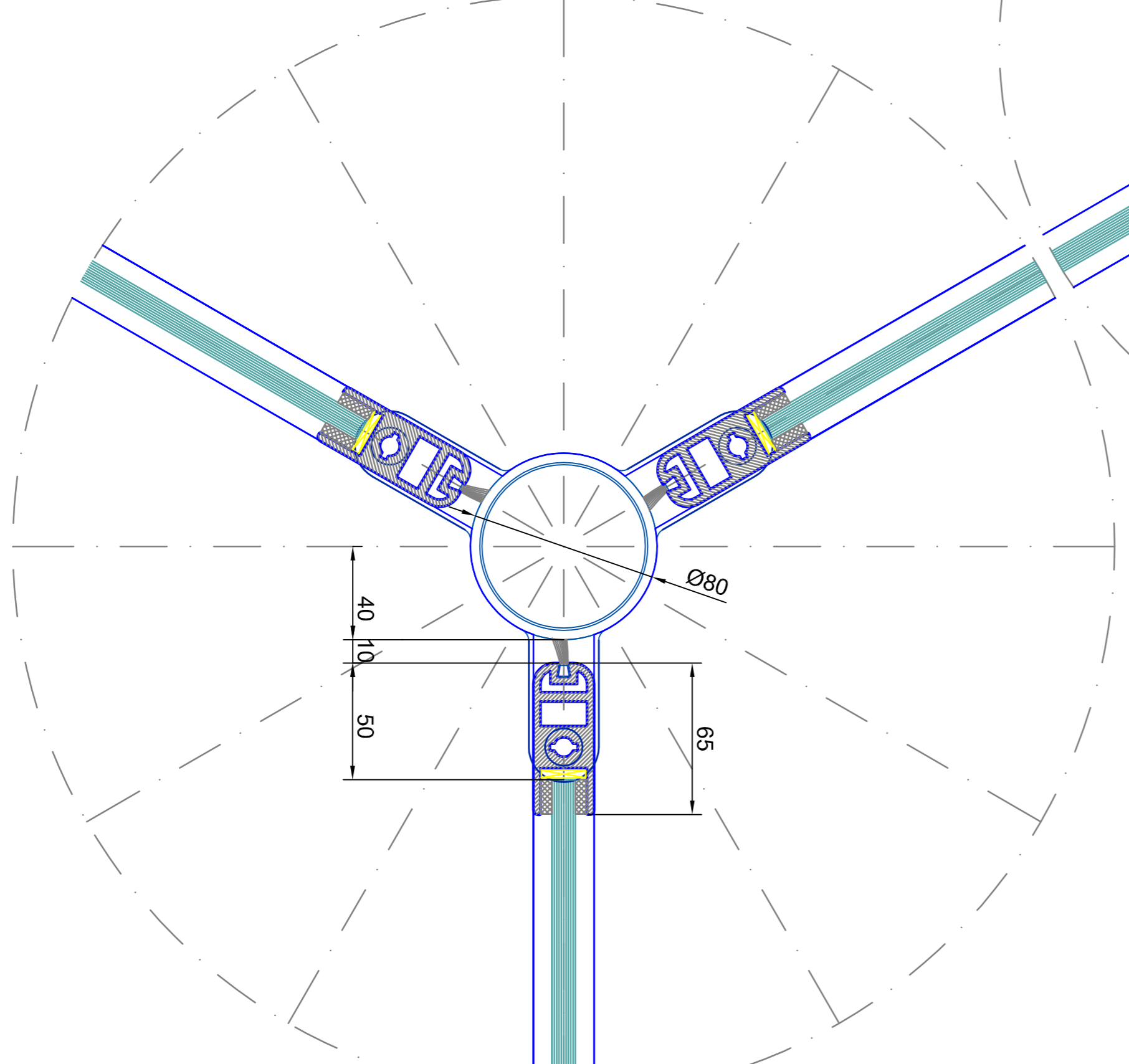
detail I



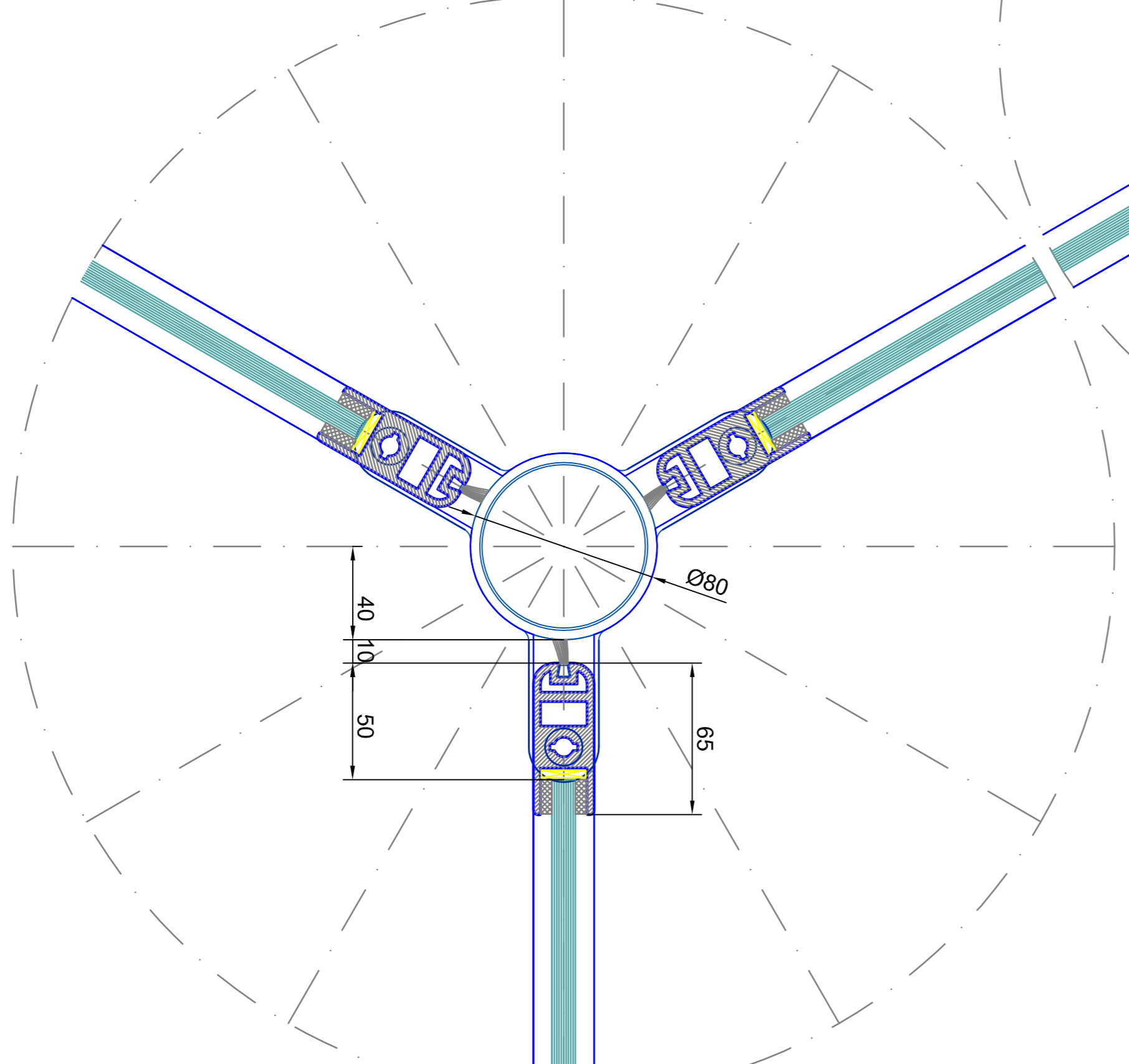
detail I



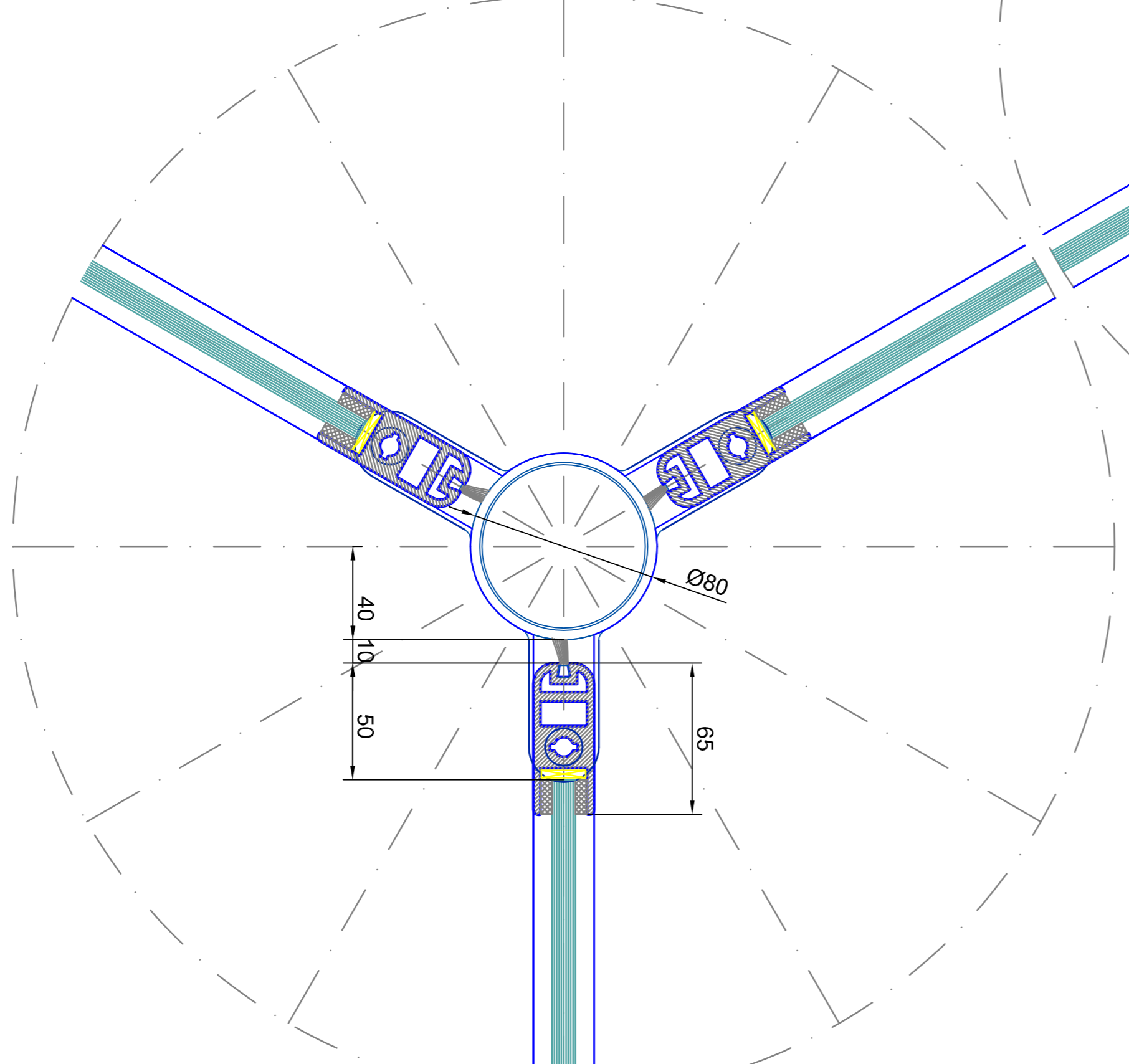
detail I



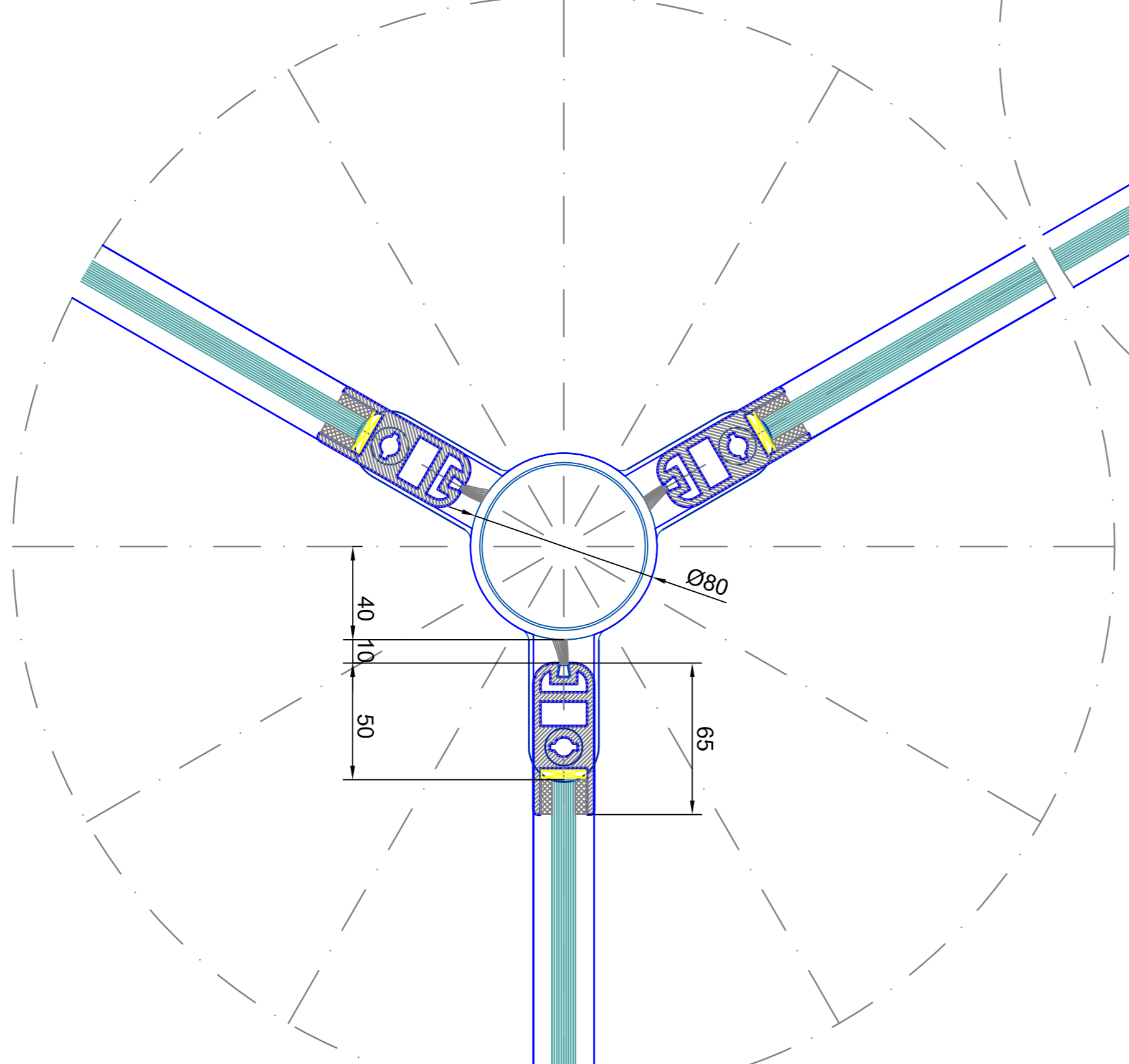
detail I



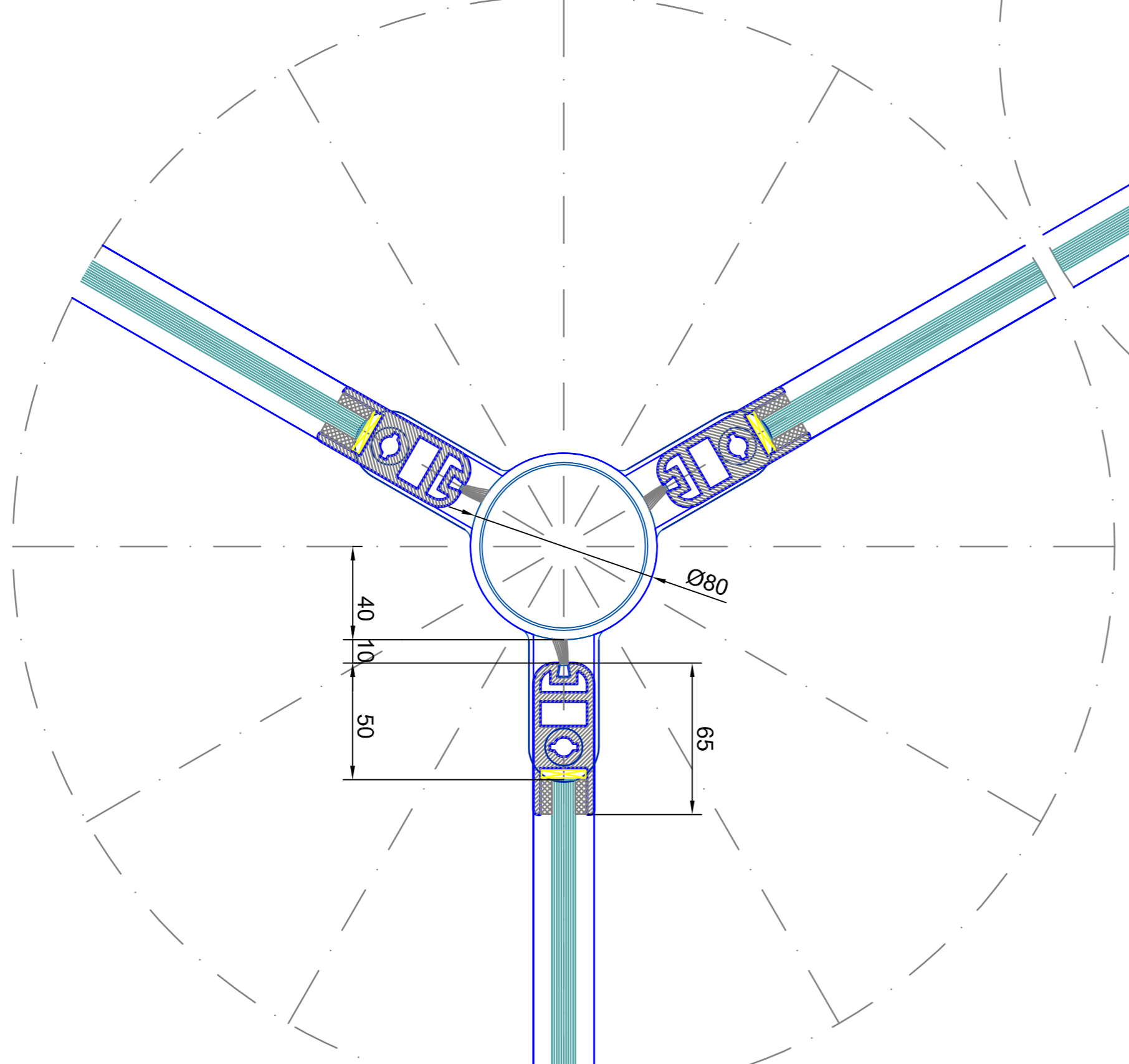
detail I



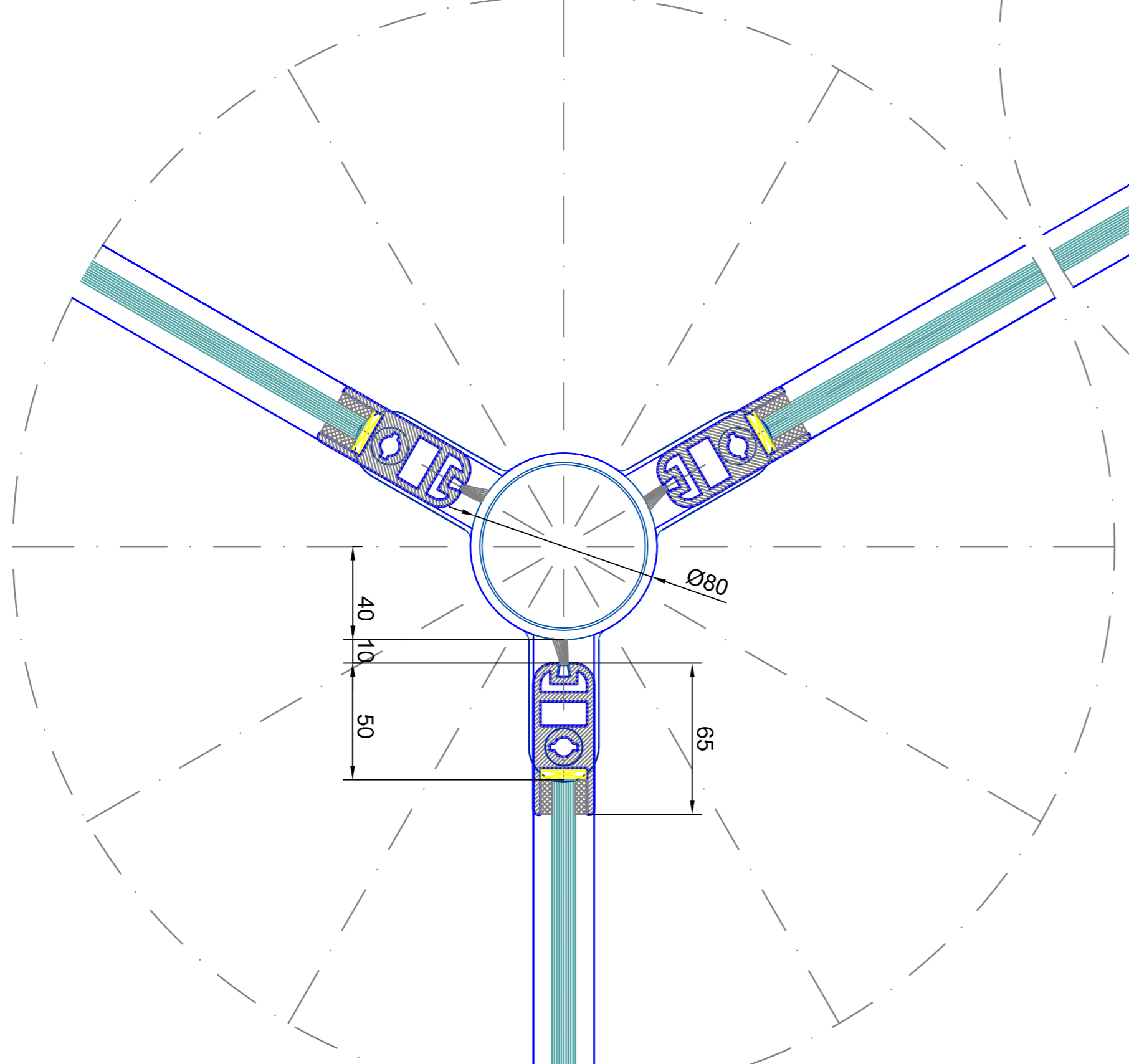
detail I



detail I



detail I



detail I

