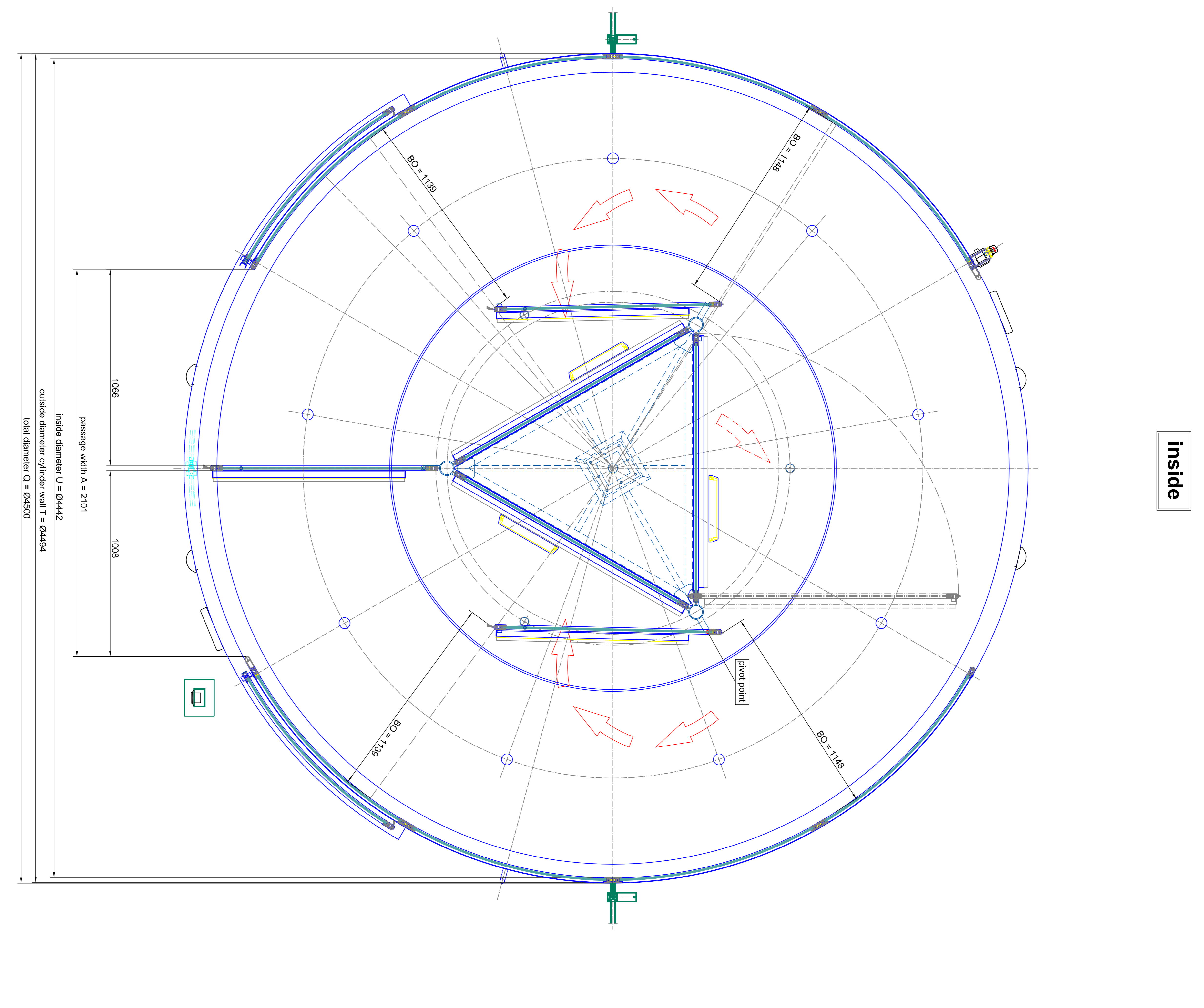


horizontal section - door in standard position

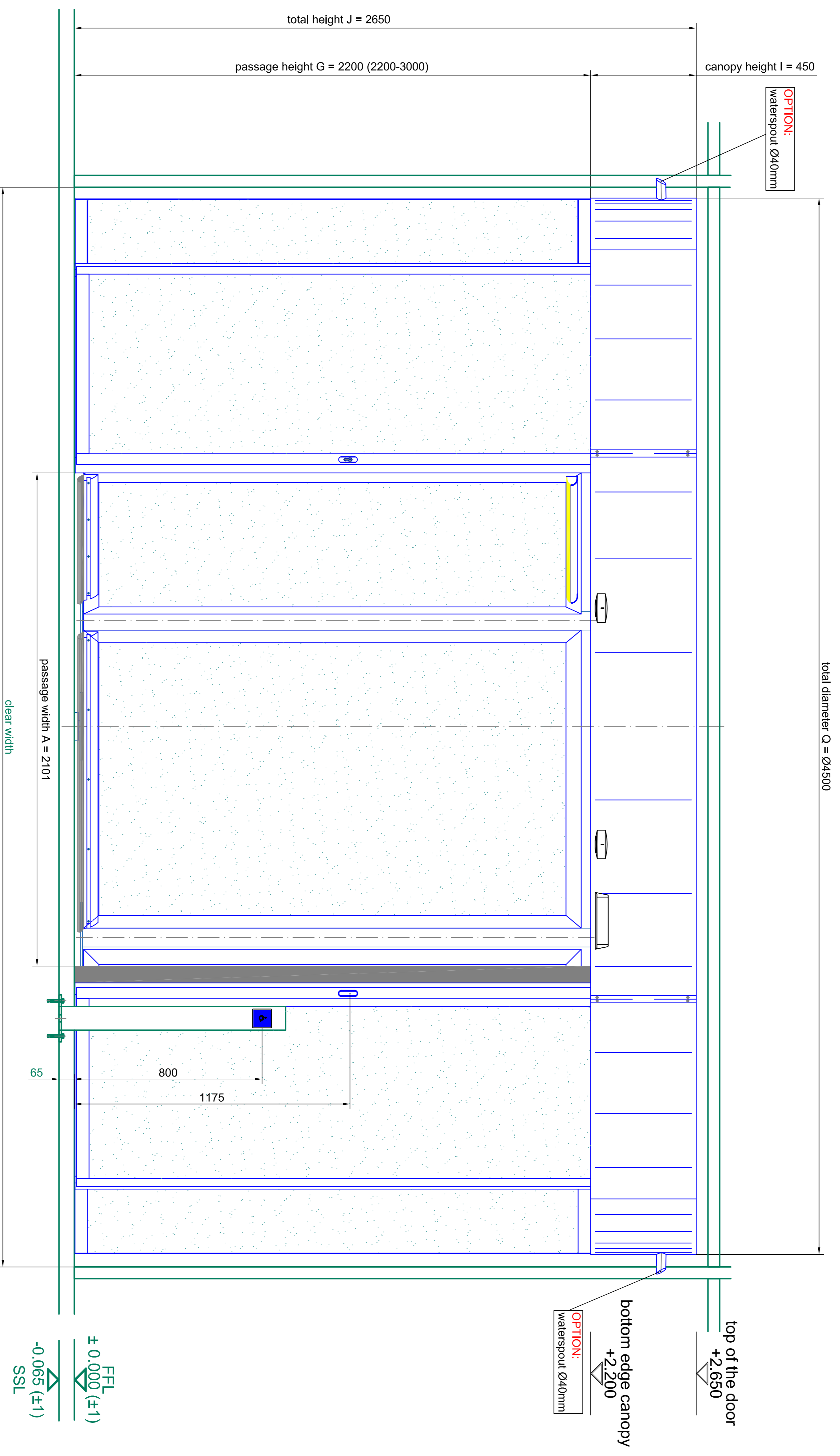


horizontal section - door in break out position

<b>BLASI</b> B.L.S. S.r.l. - G. & A. H. Autoclave Division C/da Sesto S. 15 D - 71172 Mottola		Tel. +3902 7 891 292 Fax +3902 7 891 299 E-mail: info@blasidiv www.blasi.info		Project: <b>K31-VV/MMA-45 Break Out</b> Drawing: <b>SAMPLE DRAWING ONLY</b>	
Sheet: <b>Tempered safety glass 10 mm</b> Scale: <b>3/4x3/4</b> Date:	All visible parts: <b>304x3</b> (EN 7997)	All special components: <b>tempered safety glass 10 mm</b>	Scale: <b>1/10</b>	Date:	Page: <b>02</b> Total: <b>04</b>



**front elevation - outside**



Material	tempered safety glass 10mm	Accessories	304 stainless steel
Frame	304 stainless steel	Hardware	304 stainless steel
Seals	EPDM	Finish	Brushed

**BLASI**  
 81 S. S. I. G. S. A. S.  
 Aut. Min. Sic. 001/2001  
 Cert. Inter. Sic. 01/15  
 D. 77372 Modugno

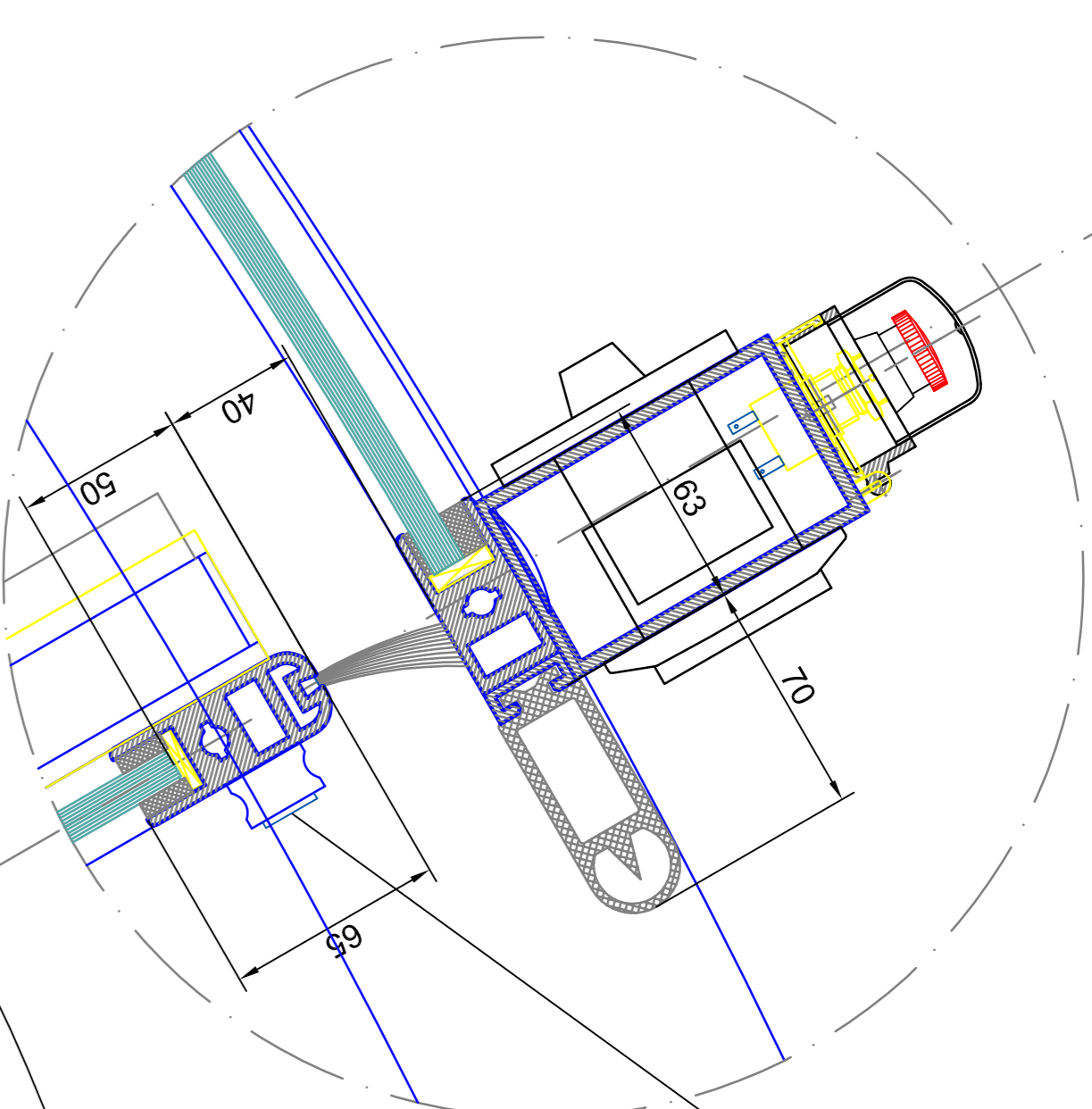
74 - 40122 / 101 - 291  
 81 - 40122 / 881 - 299  
 E-mail: info@blasit.it  
 www.blasit.it

Project: K31-VV/MMA-45 Break Out  
 SAMPLE DRAWING ONLY

Scale: 1:10  
 Date: 03/08/2024  
 Page: 03 of 04



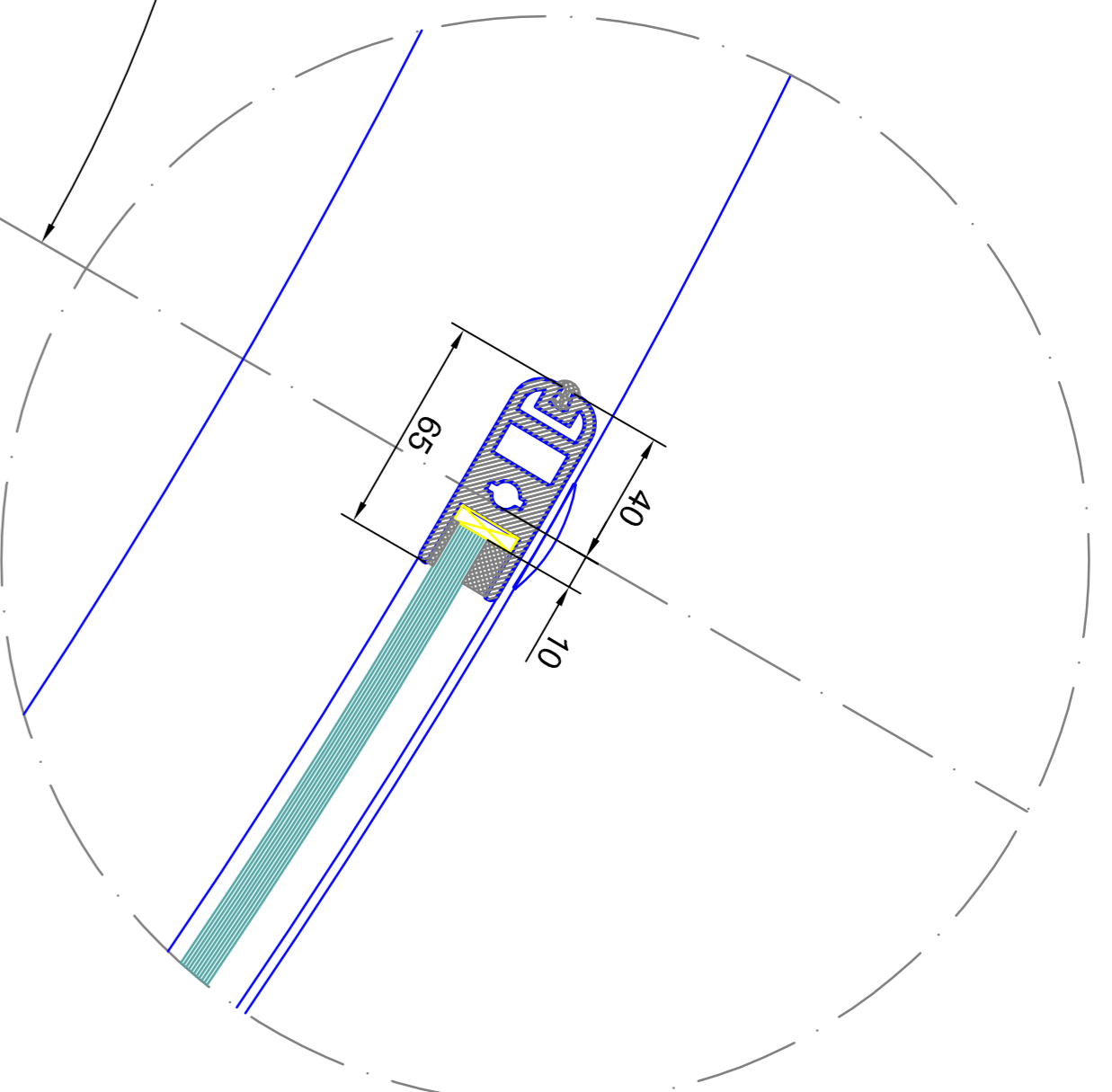
detail D



Bar lock  
locked from inside  
profile-semicylinder 27mm  
locking into the canopy

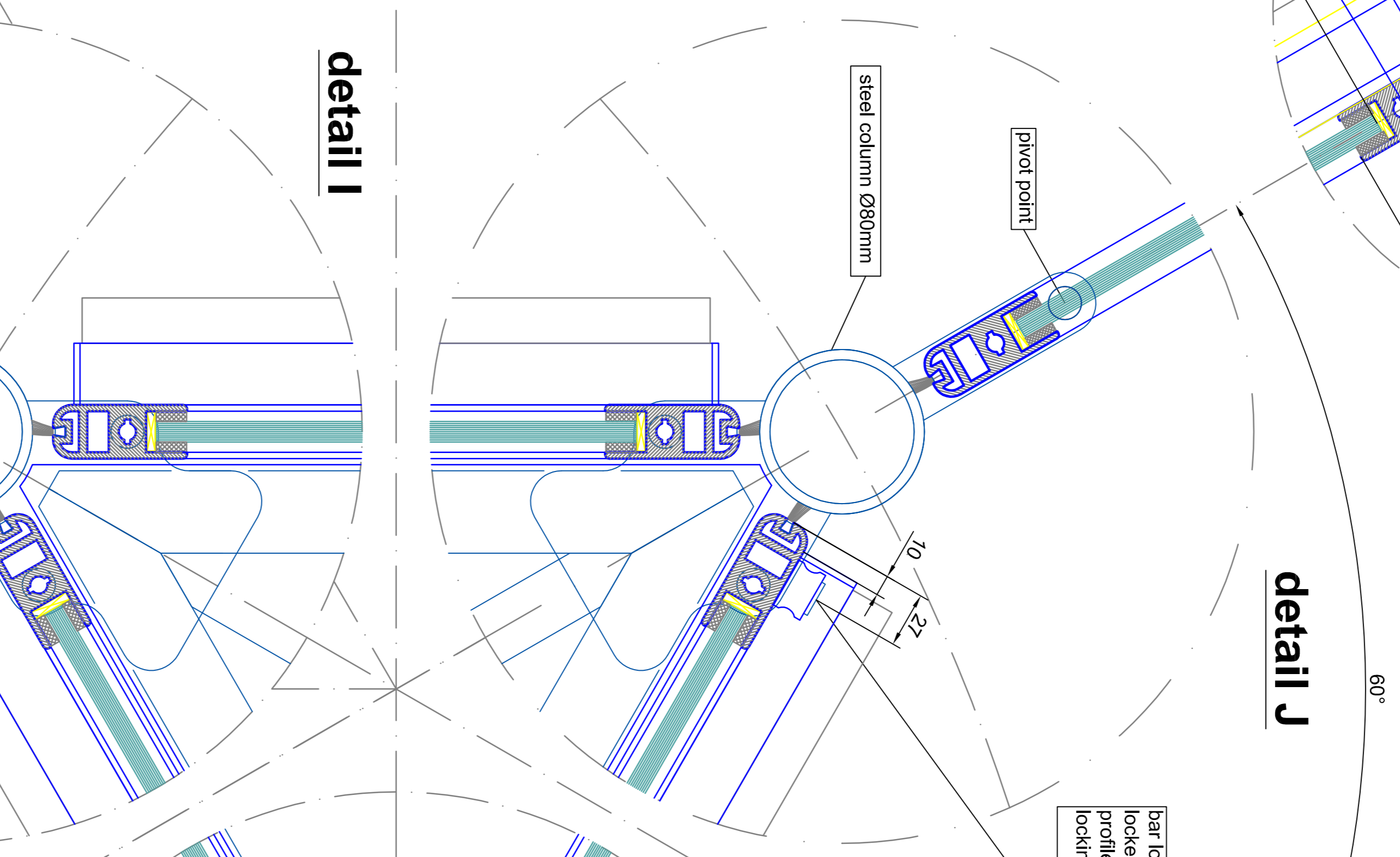
inside

detail E

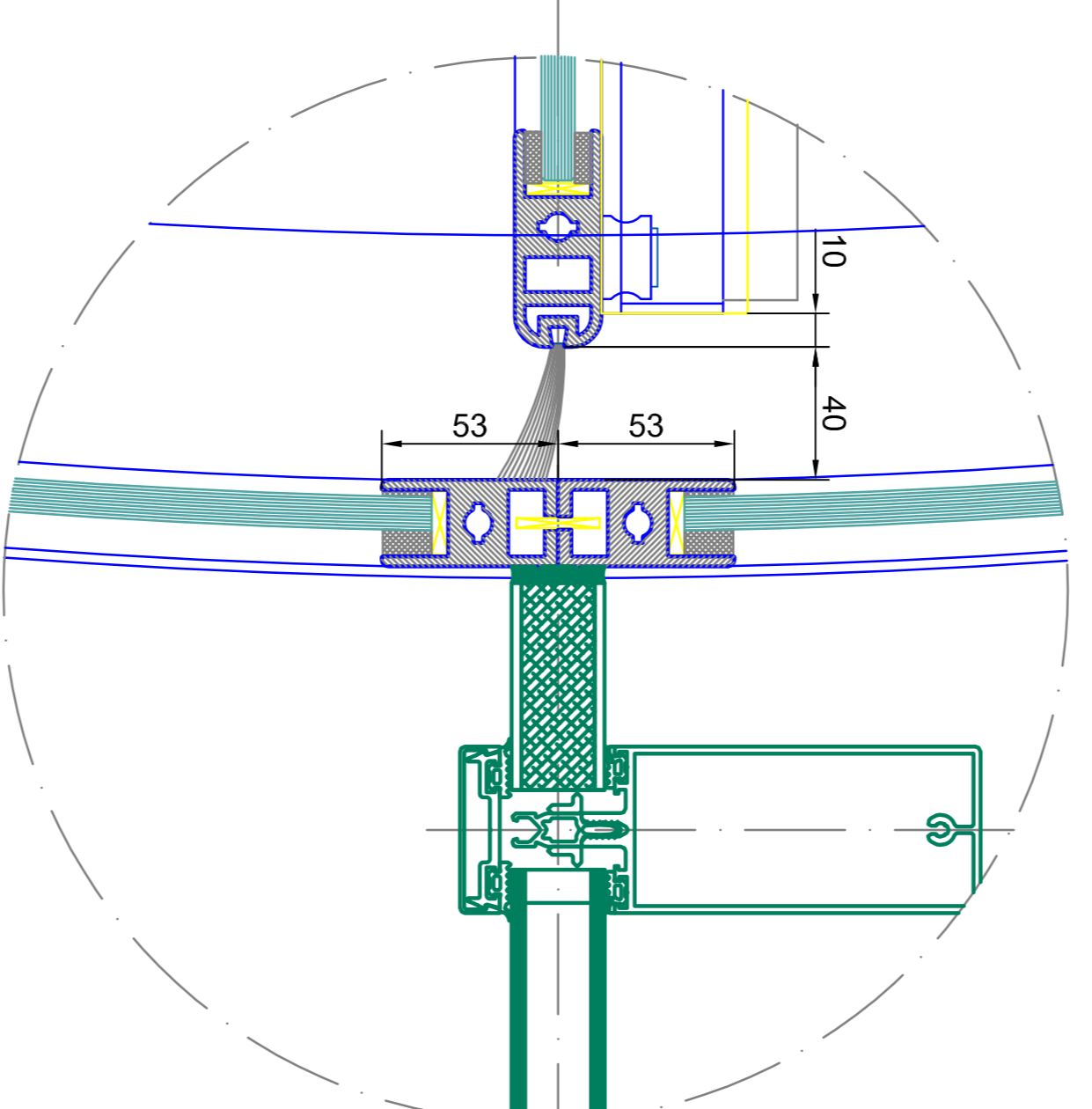


Bar lock  
locked from inside  
profile-semicylinder 27mm  
locking into the canopy

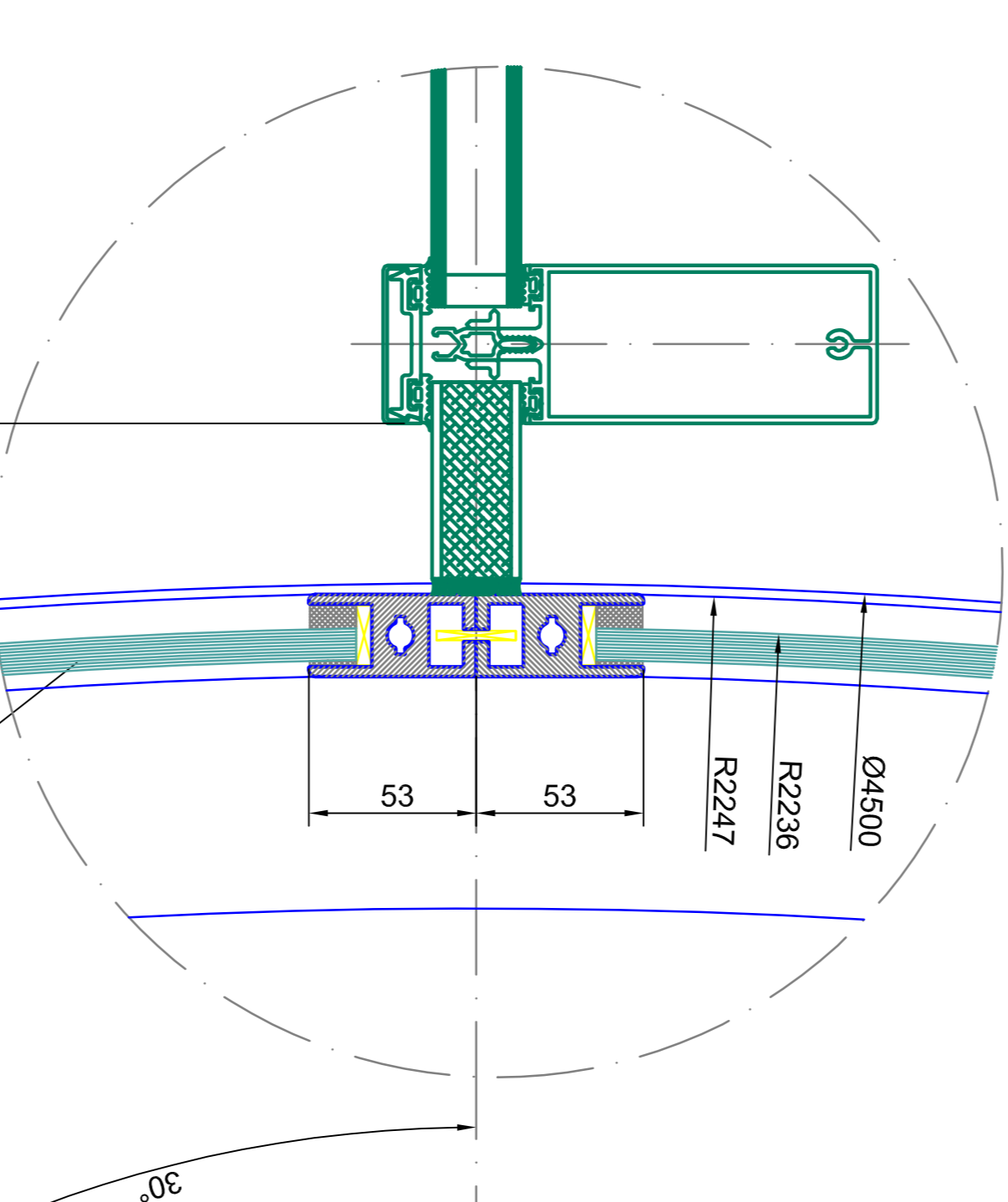
detail J



detail K



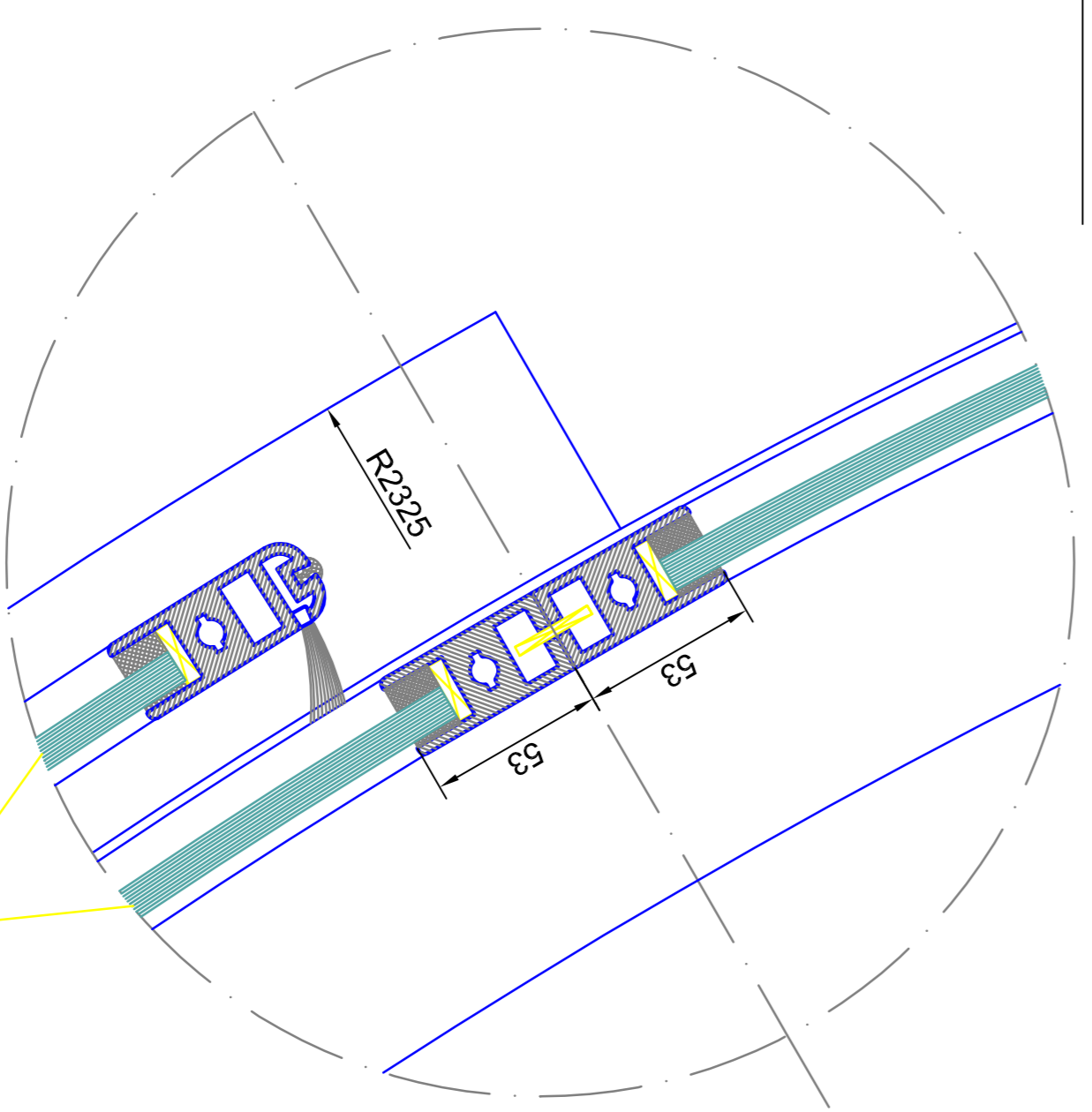
detail F



detail C

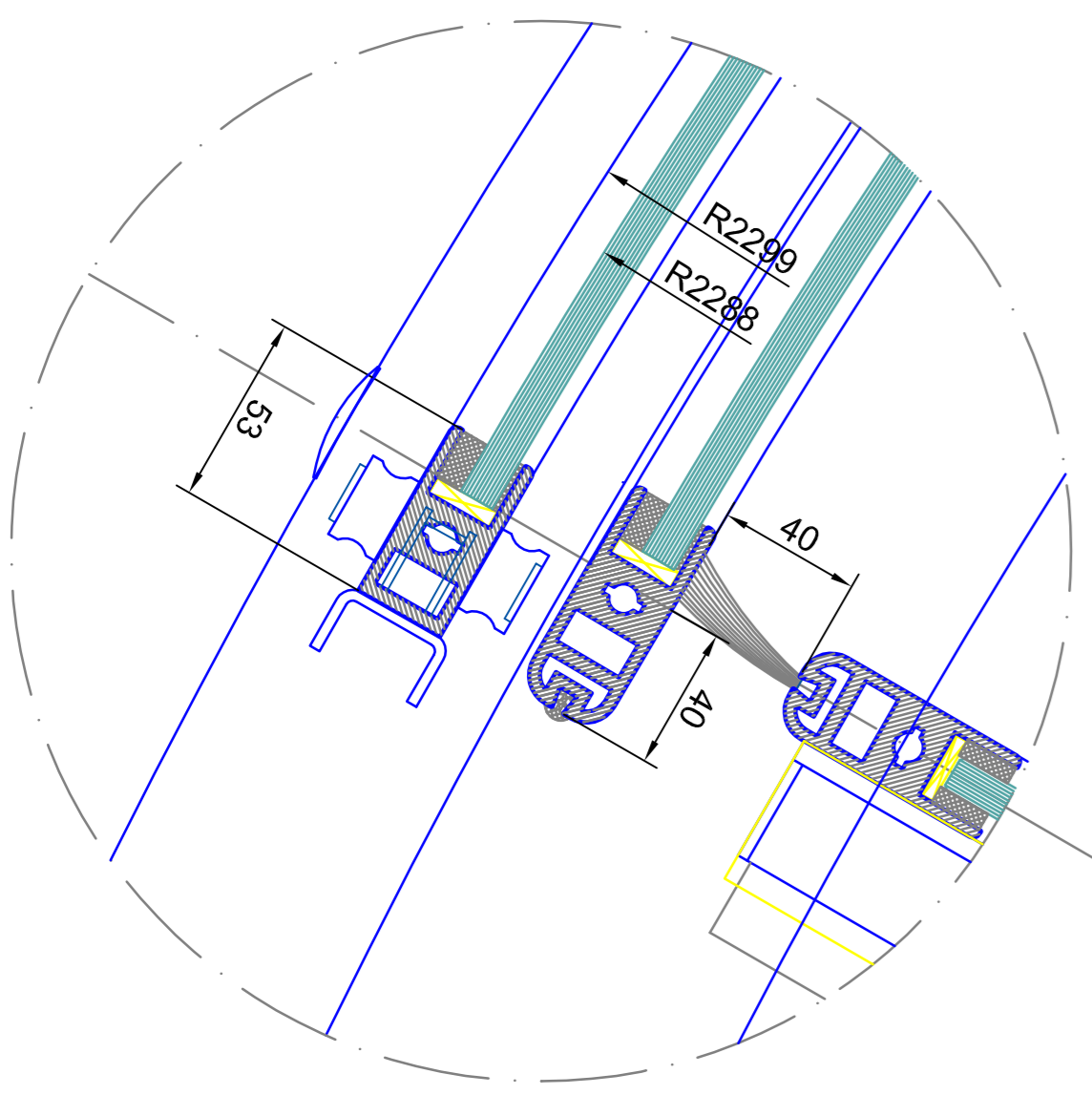
clear width

detail B



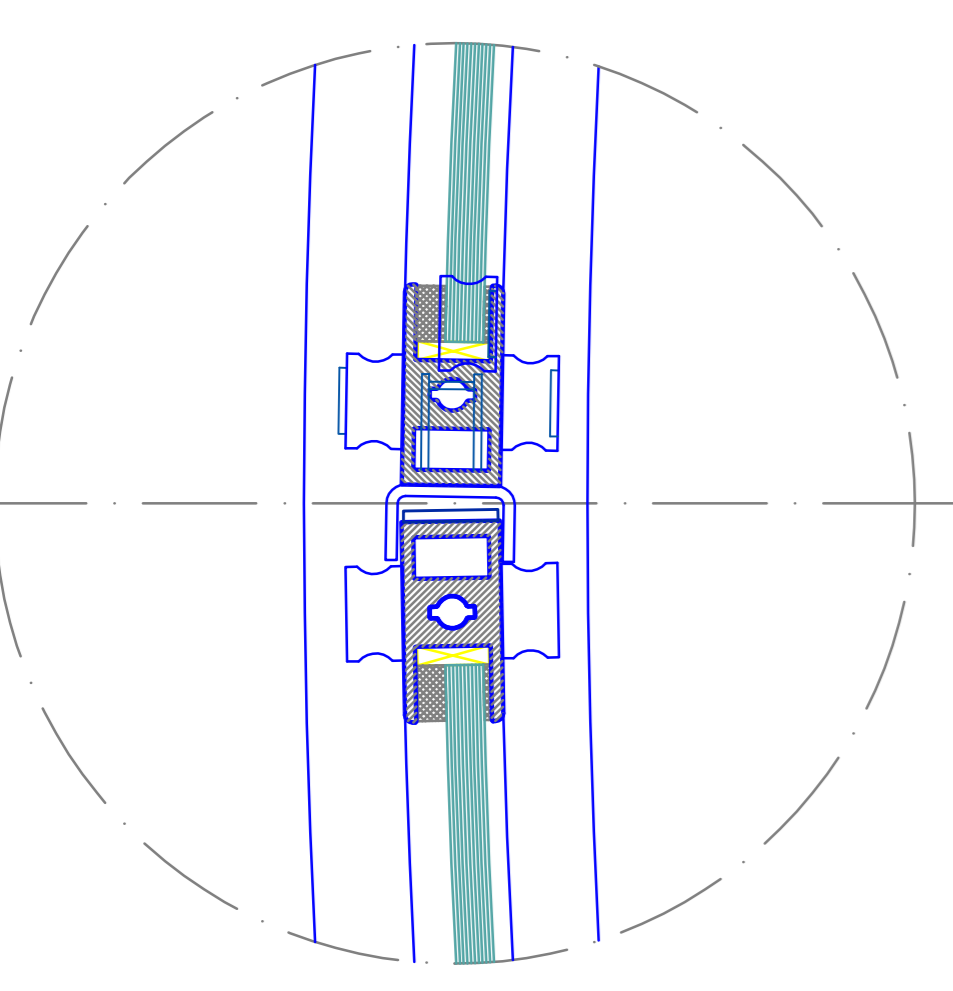
laminated safety glass 10mm

detail A

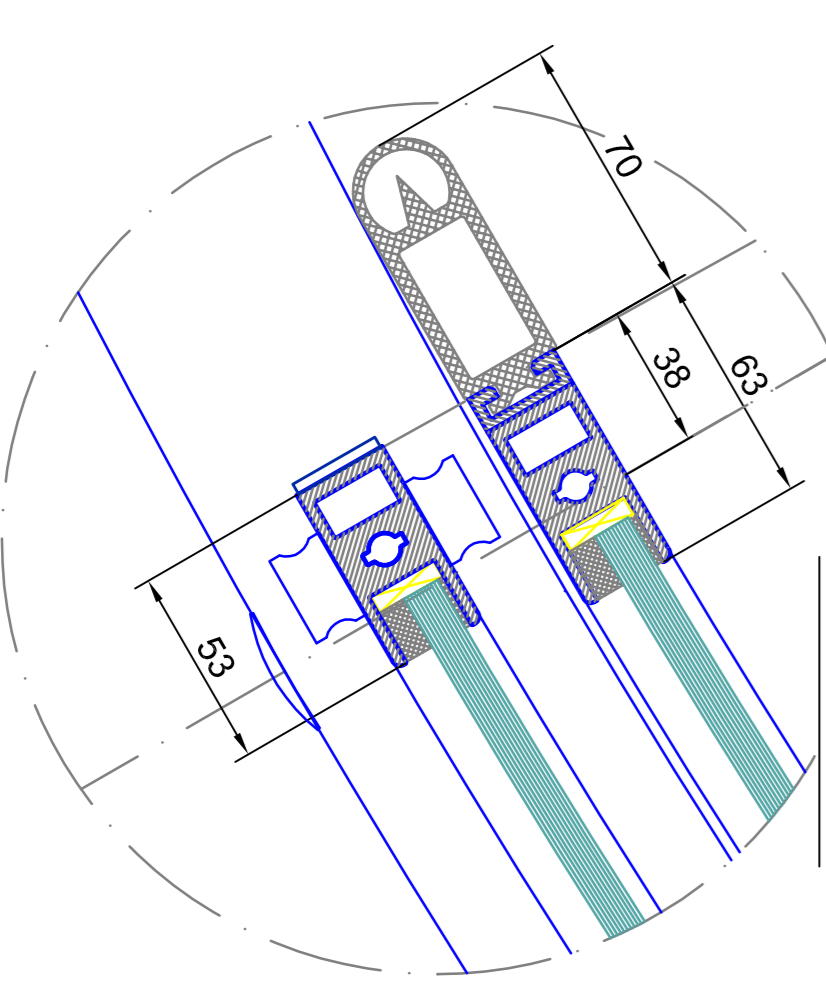


tempered safety glass 10 mm

detail H



detail G



outside

Material	Aluminum profile	(EN 9971)	Aluminum components made to order to EN 9971
Material	Tempered safety glass 10 mm	EN 1062	Laminated Safety glass 10 mm

**BLASI**  
B.L.A.S.I. S.p.A. s.r.l.  
Autostar Drive  
C/O. Sesto S. Vito  
D - 71127 Mottola

Tel. +39087 1 801 292  
Fax +39087 1 801 299  
E-mail: info@blasi.it  
www.blasi.info

Project: **K31-VV/MMA-45 Break Out**  
SAMPLE DRAWING ONLY

Scale: 04  
Date: 04