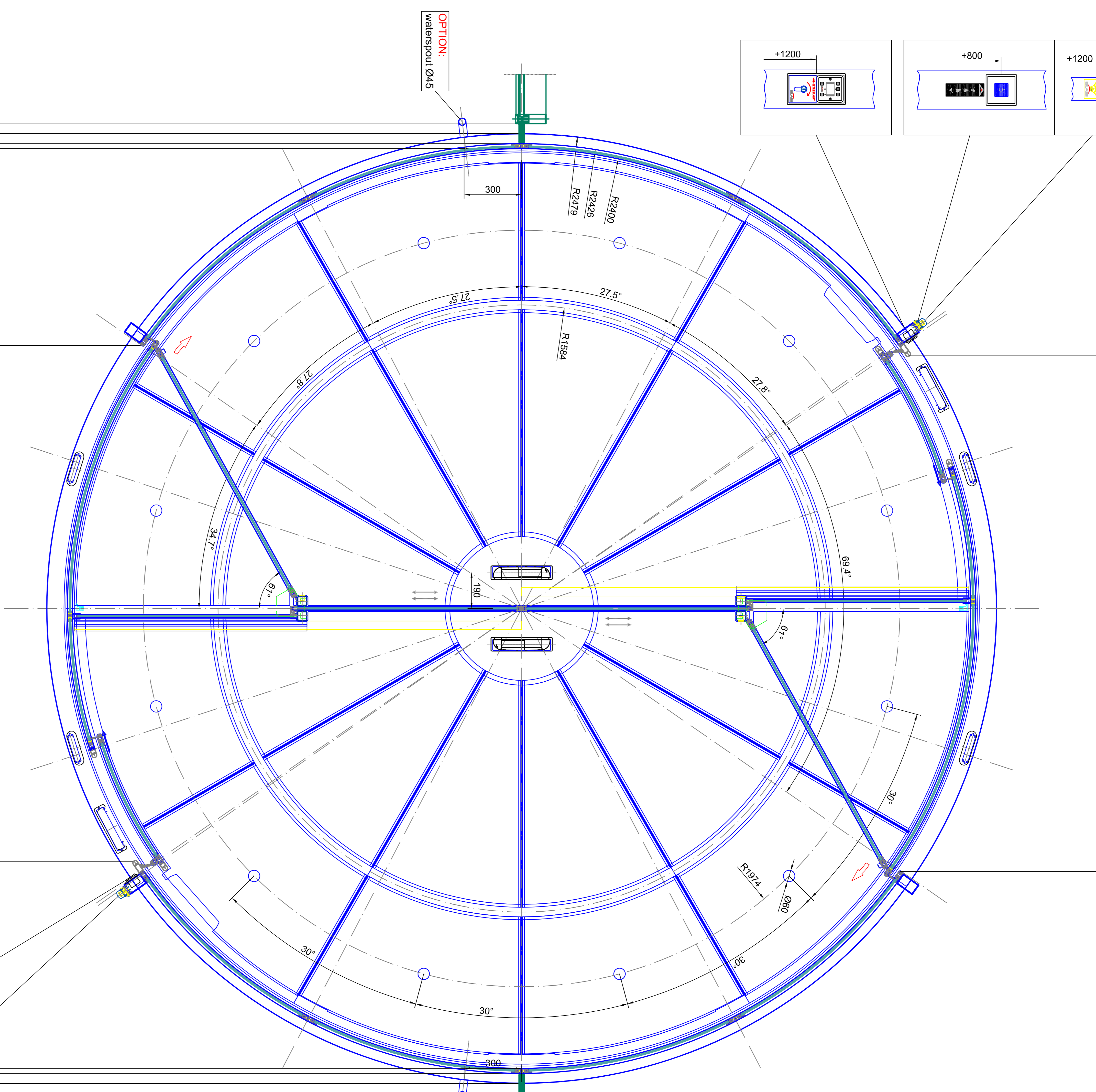




Innen

passage width A = 2690

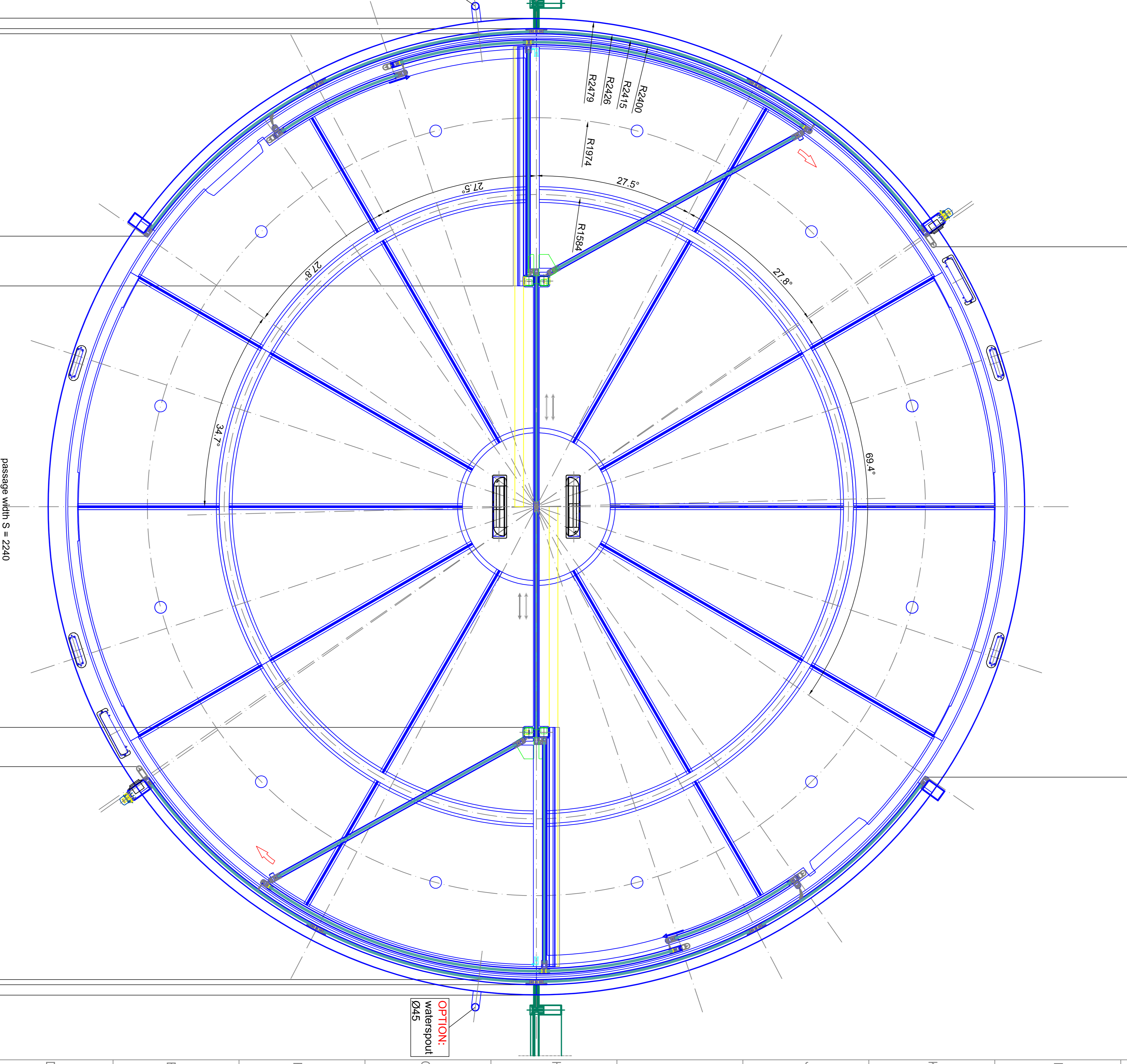


outside

horizontal section - door in standard position

Innen

passage width A = 2690

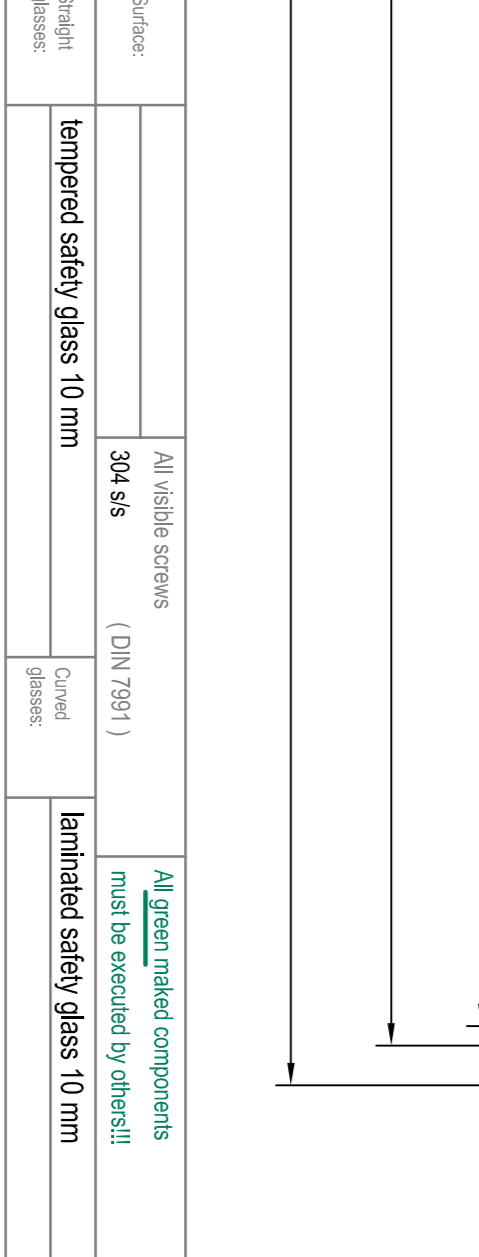
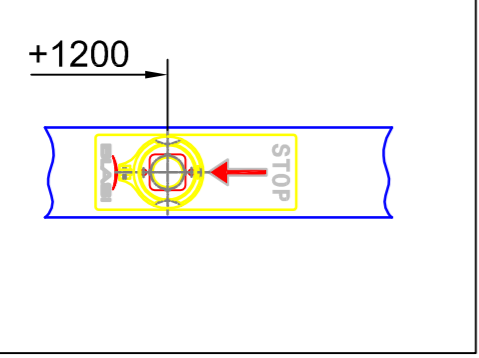


outside

horizontal section - door in open door position

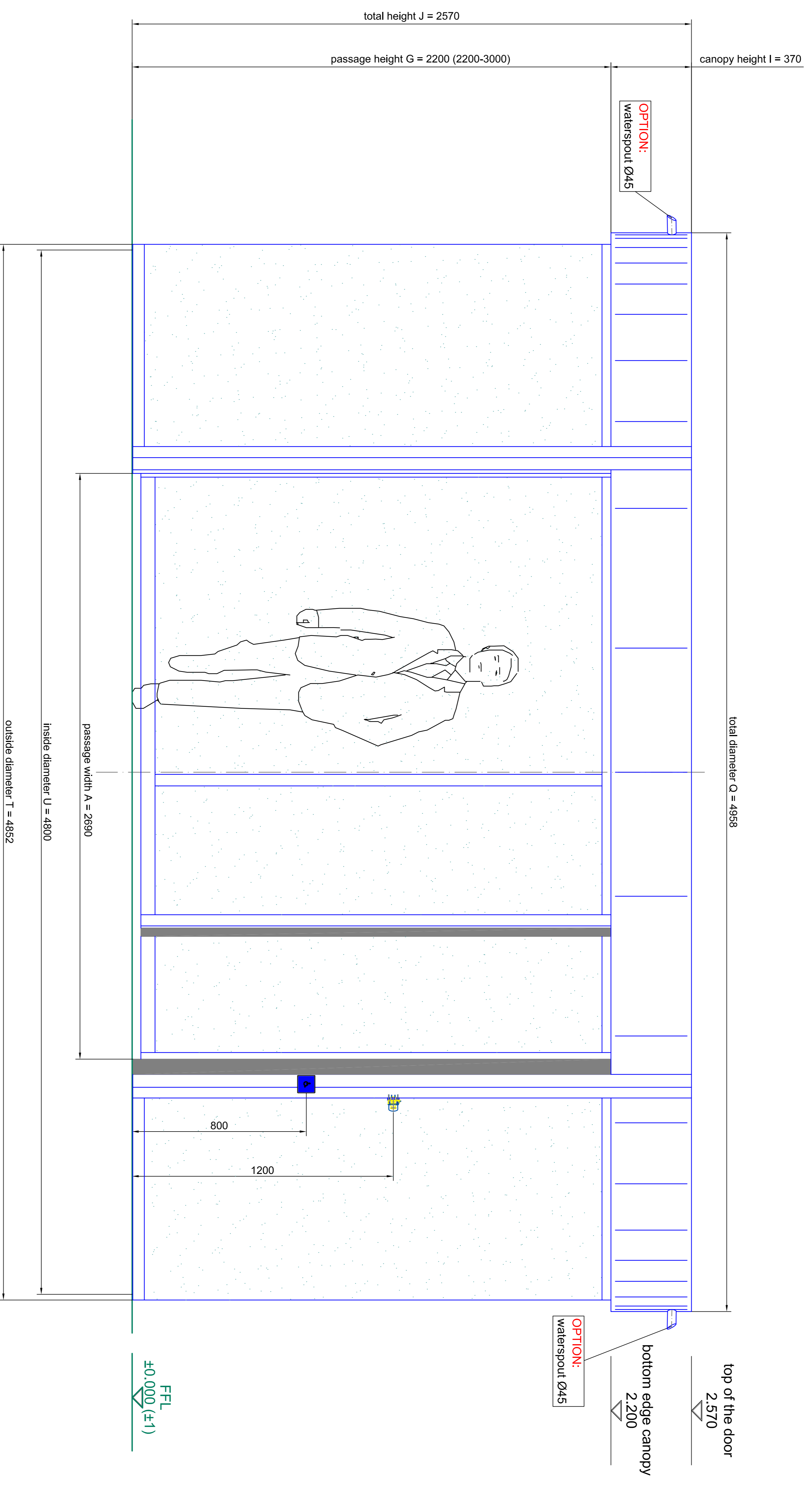
passage width A = 2690  
 inside diameter U = 4800  
 outside diameter (drum) T = 4852  
 total diameter Q = 4958  
 clear width

passage width A = 2690  
 inside diameter U = 4800  
 outside diameter (drum) T = 4852  
 total diameter Q = 4958



Scale:	AD = M 1:10	Confession No.:	
Project:	K21AS/M1-48	Scale:	
Client:	BLASI	Project:	
Address:	B.L.A.S.I. G.m.b.H. Tübingen	Client:	
Phone:	+49 7141 9322 883 291	Address:	
Fax:	+49 7141 9322 883 299	Phone:	
E-mail:	info@blasig.de	Fax:	
Web:	www.blasi.de	E-mail:	
Year:	2024	Web:	
Version:	02	Year:	
Page:	02	Version:	
Sheet:	04	Page:	

Scale:	AD = M 1:10	Confession No.:	
Project:	K21AS/M1-48	Scale:	
Client:	BLASI	Project:	
Address:	B.L.A.S.I. G.m.b.H. Tübingen	Client:	
Phone:	+49 7141 9322 883 291	Address:	
Fax:	+49 7141 9322 883 299	Phone:	
E-mail:	info@blasig.de	Fax:	
Web:	www.blasi.de	E-mail:	
Year:	2024	Web:	
Version:	02	Year:	
Page:	02	Version:	
Sheet:	04	Page:	



**front elevation - outside**

Scale:	A4 (1024x768)	Scale:	A4 (1024x768)
Sheet:	364.48	Project:	364.48
Material:	tempered safety glass 10 mm	Material:	tempered safety glass 10 mm

**BLASI**  
 8 L A S I O m b H  
 Automatic Doors  
 Cef. Ser. Snek S-15  
 0 - 1 / 1 / 2 - 84899

Tel. +390322 / 865 - 291  
 Fax. +390322 / 865 - 299  
 E-mail: info@blasio.it  
 WWW: blasio.it

Scale: A4 = M 1:10  
 Type: K21AS/M/48  
 Configuration: SAMPLE DRAWING ONLY

Page: 03  
 Rev: 04

