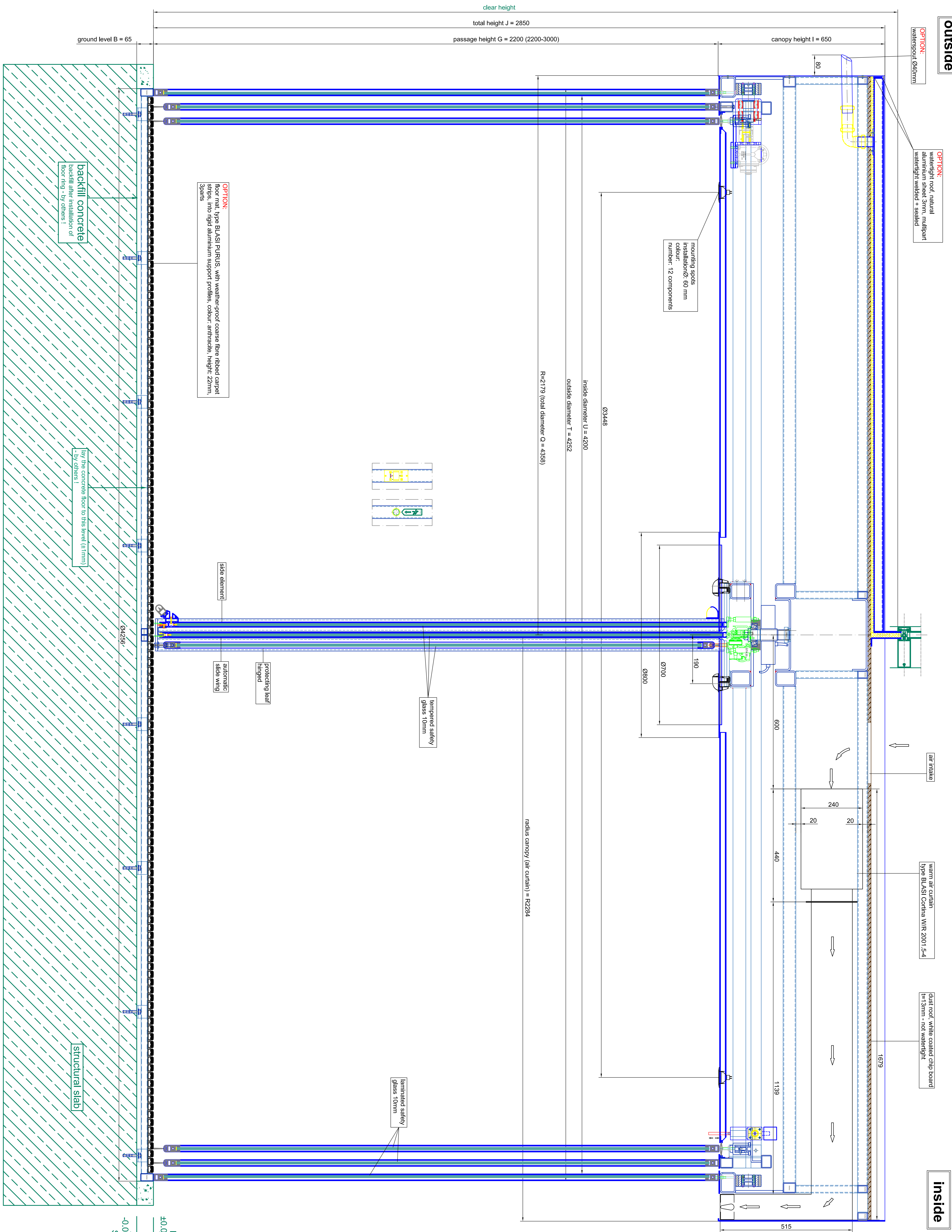
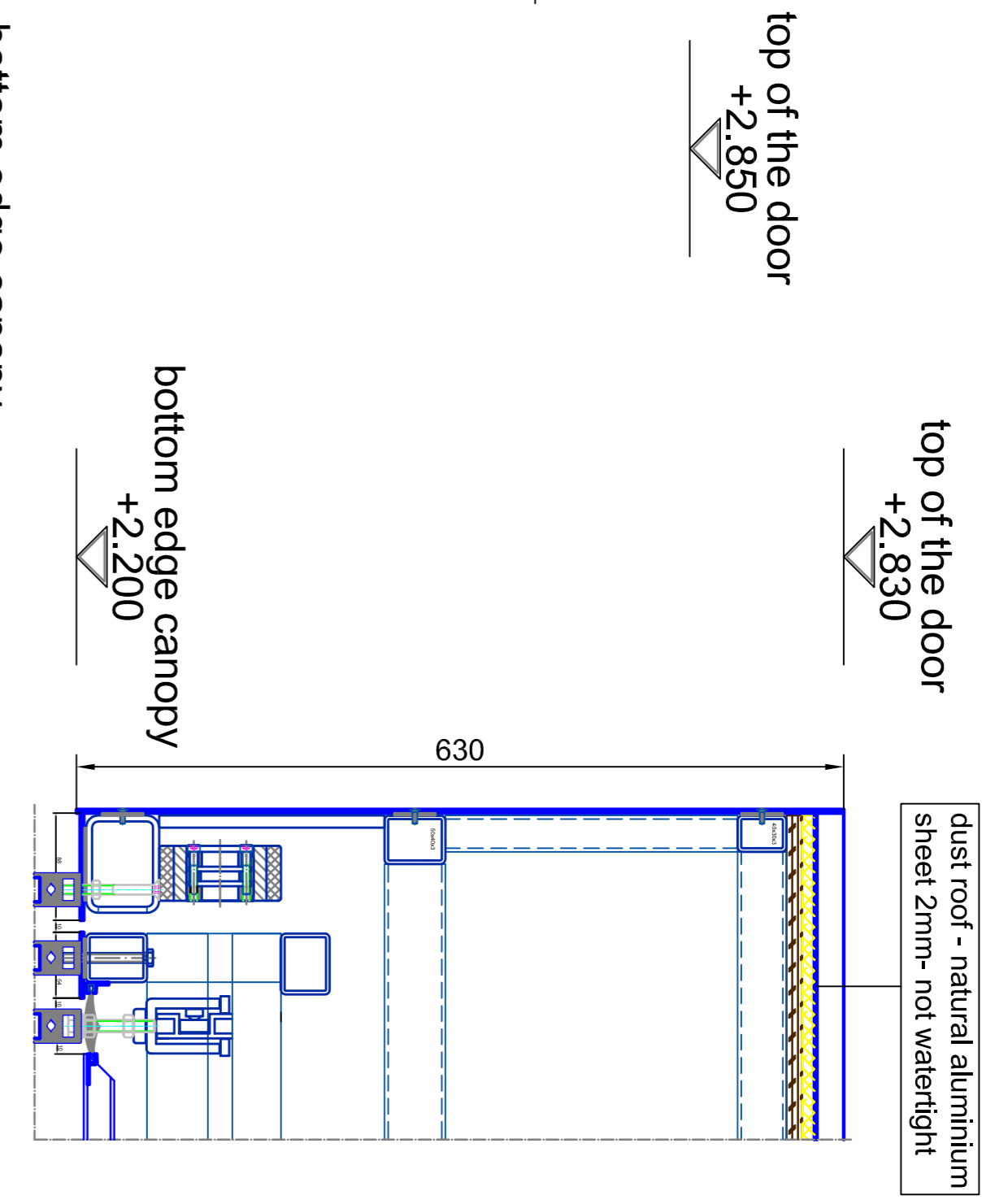


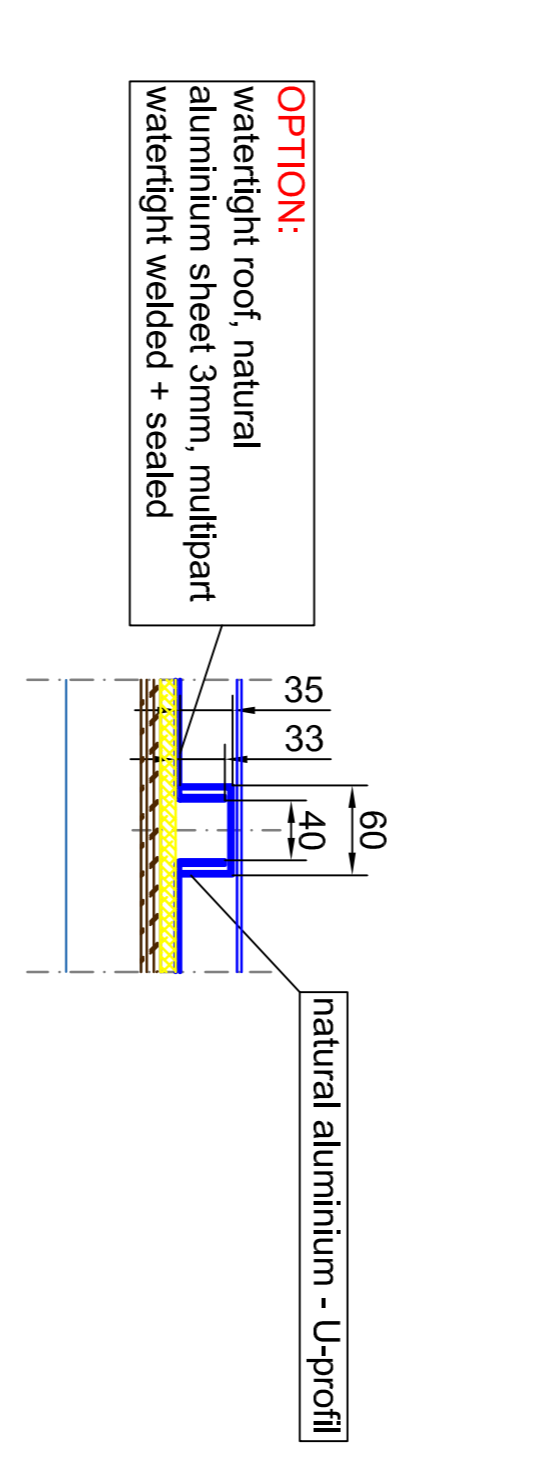
vertical section



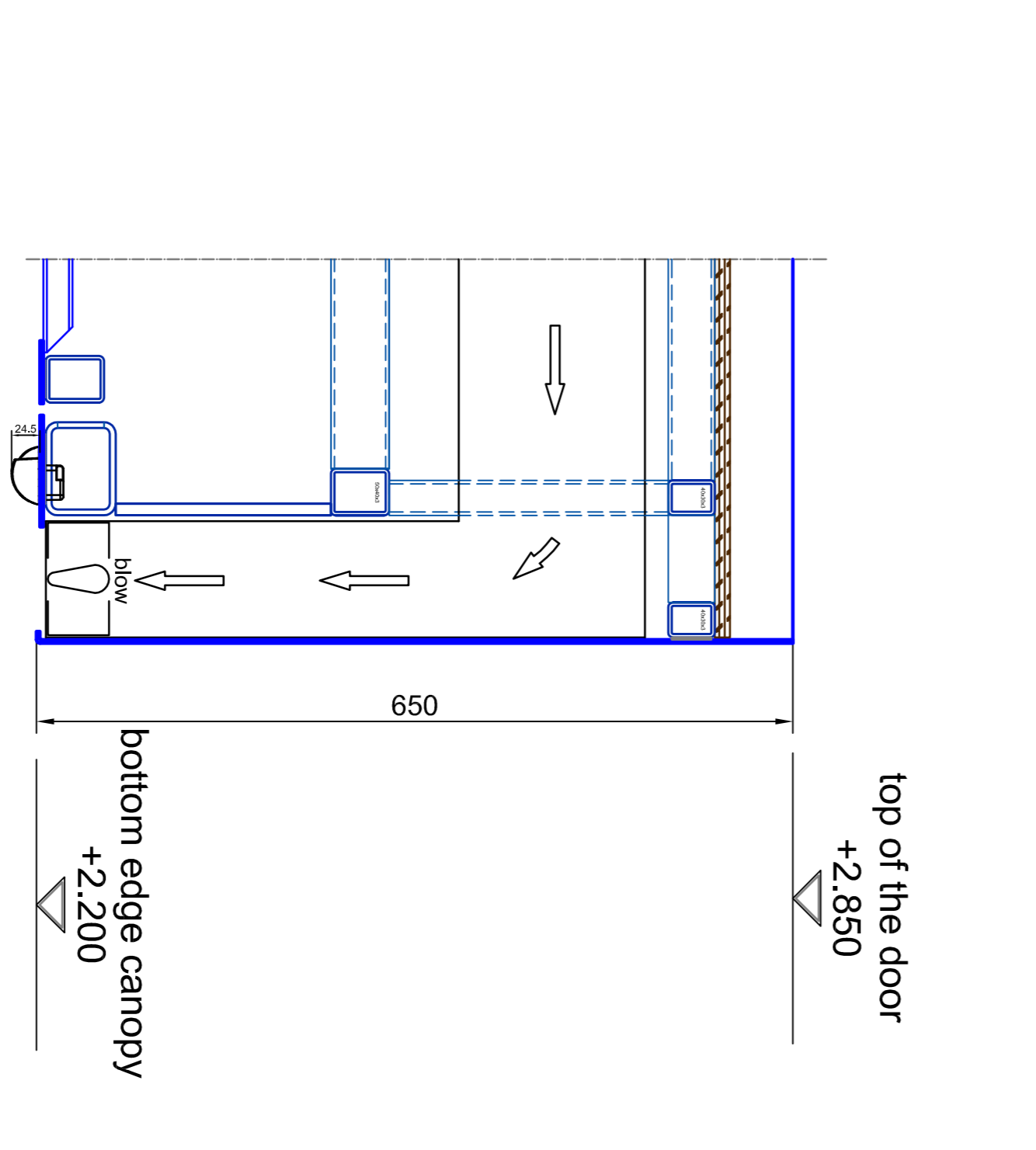
vertical section - dust roof / outside



vertical section - watertight roof - multipart

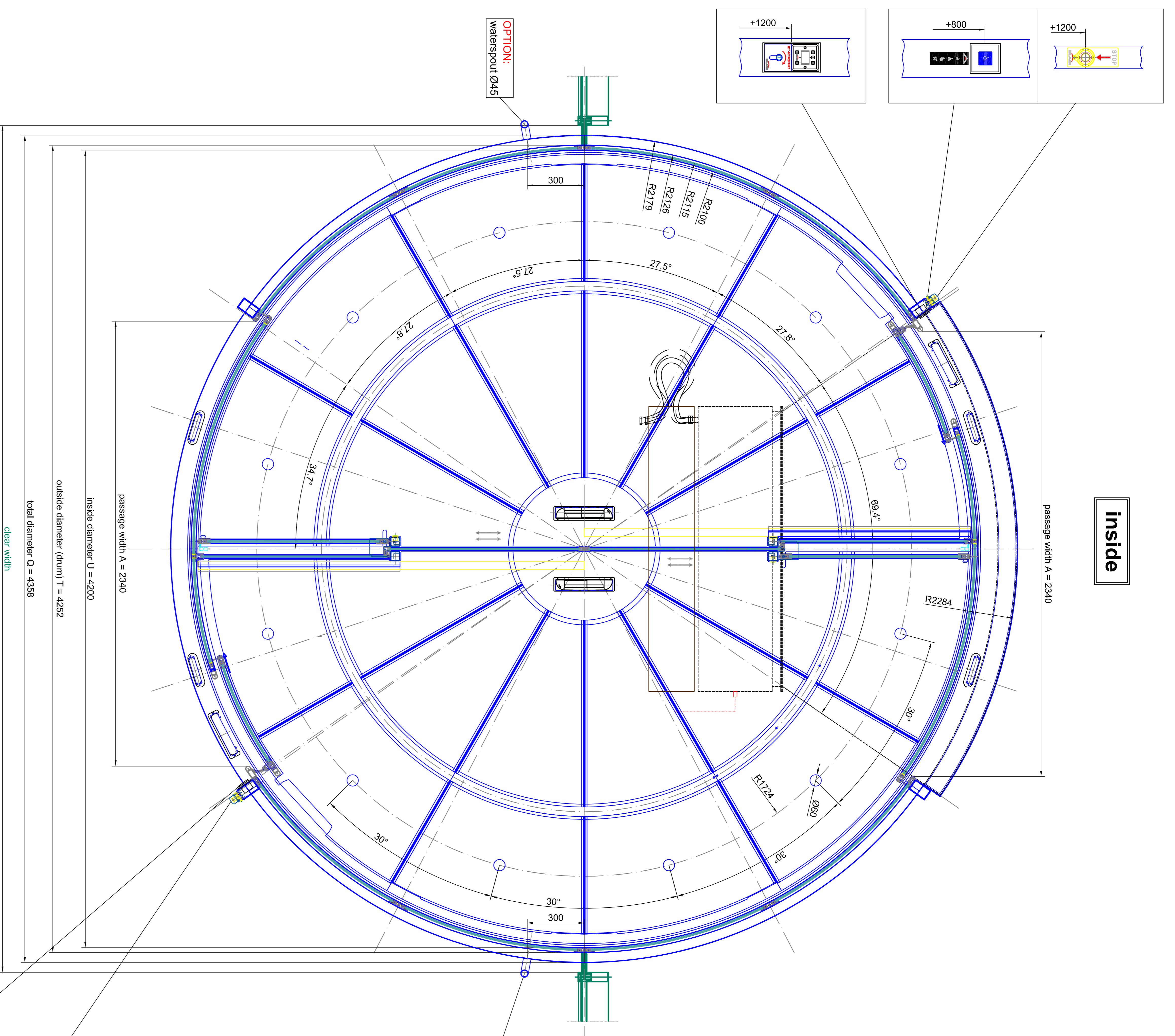


vertical section - passage area / inside

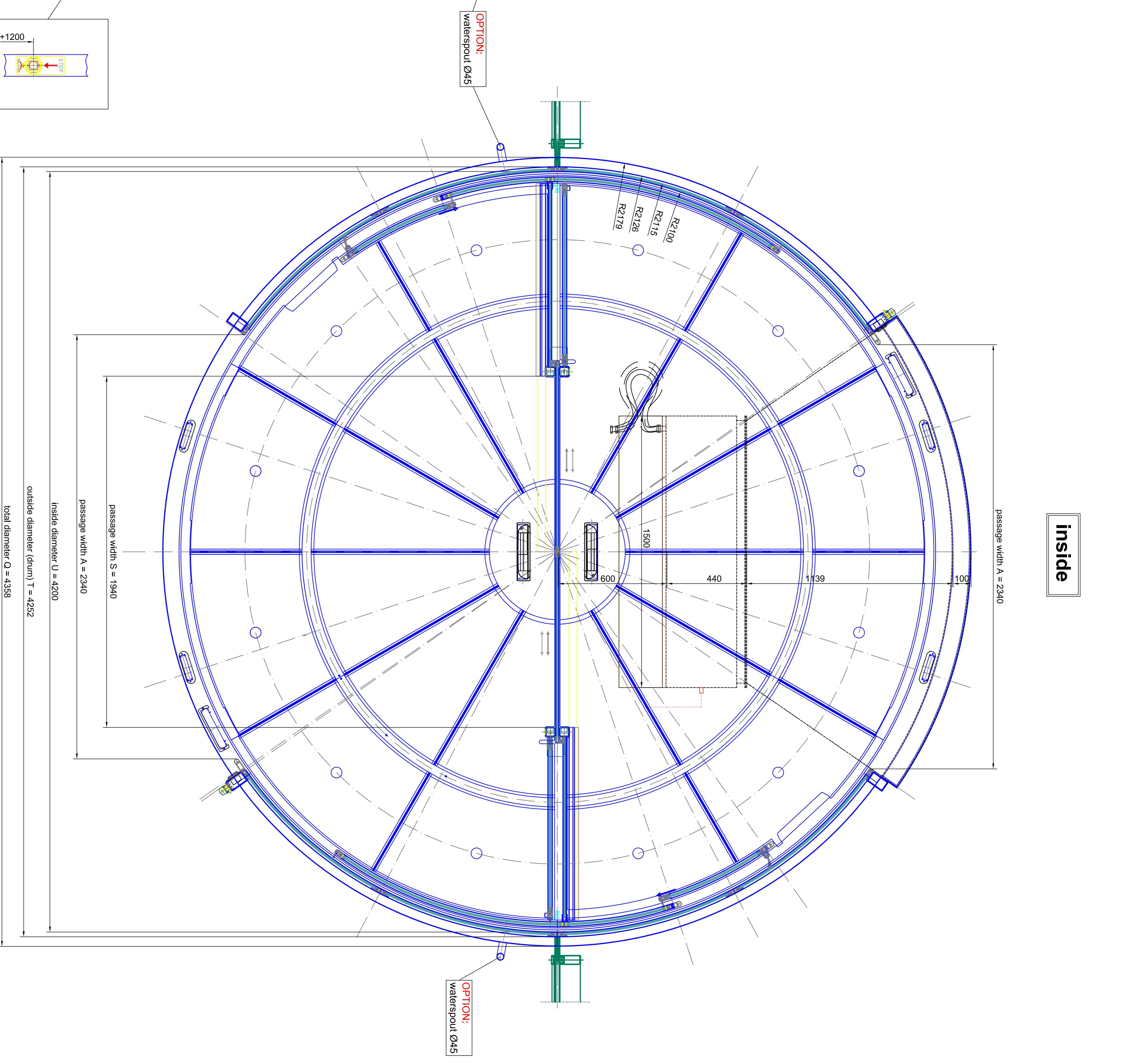


FFL ±0.000 (±1)
SSL -0.065 (±1)

| | | | |
|---|--|------------|--|
| BLASI | | K21-SSF-42 | |
| SAMPLE DRAWING ONLY | | | |
| BLASI s.r.l. - automatic doors | | | |
| Via S. Maria Maddalena, 10 - 37040 Sommacampagna (Verona) - Italy | | | |
| Tel. +39 0445 88221 - Fax +39 0445 88222 | | | |
| E-mail: info@blasi.it - Web: www.blasi.it | | | |
| Scale: 1:50 | | | |
| Date: 15/05/2024 | | | |
| Project: K21-SSF-42 | | | |
| Drawing No.: 01 | | | |
| Rev.: 01 | | | |

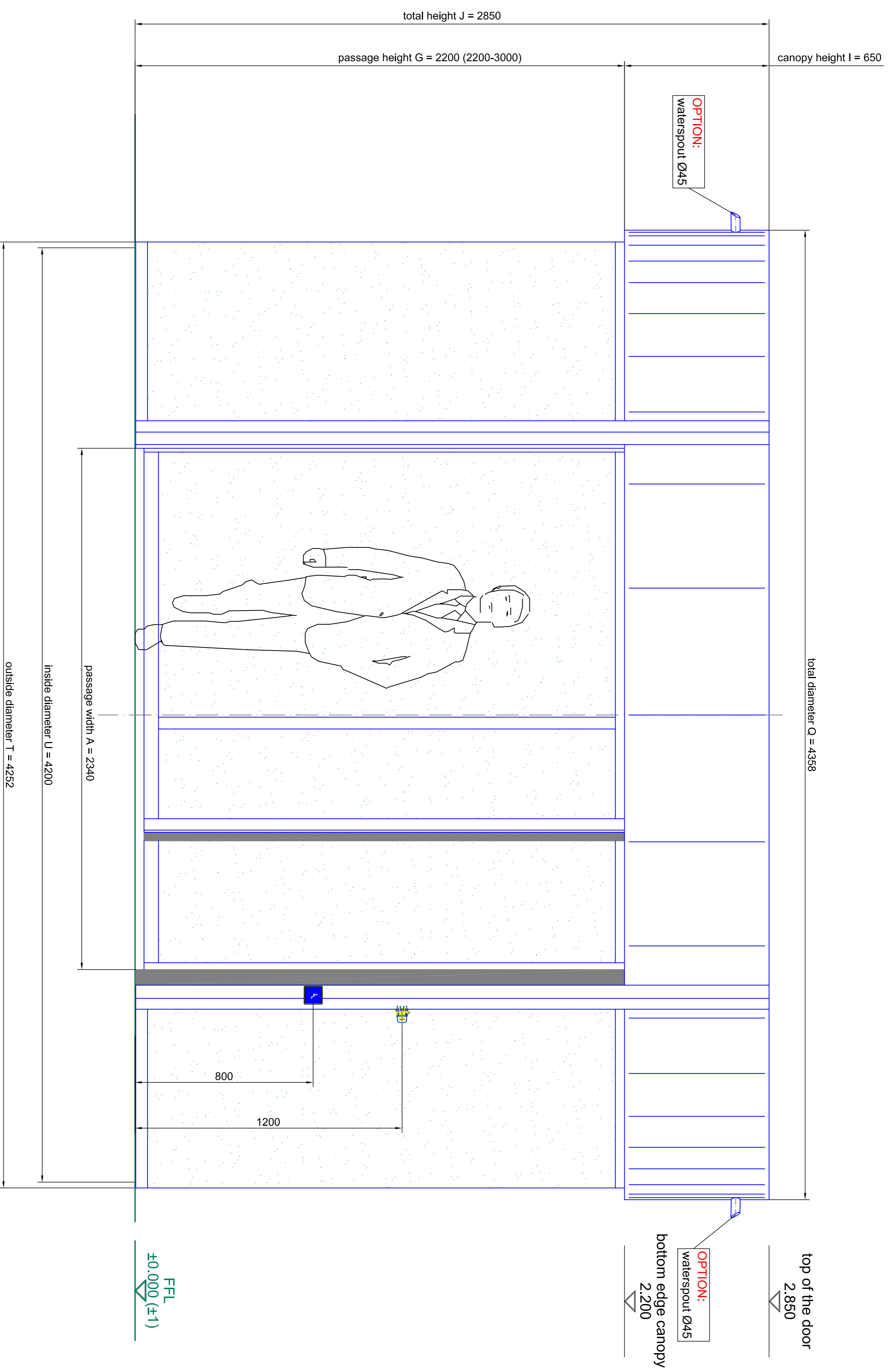


horizontal section - door in standard position



horizontal section - door in open door position

| | | | |
|---|-----------------------------|--------------------|----------------------|
| Scale: | AD = M 1:10 | Configuration No.: | 0204 |
| Model: | K21-SF42 | Year: | 2014 |
| Project: | Automatic Doors | Contractor: | SAMPLE DRAWING ONLY |
| Client: | BLASI | Address: | |
| Address: | BLASI G m b H | Phone: | +49 822 / 863 - 291 |
| City: | Automatic Doors | Fax: | +49 822 / 863 - 299 |
| Country: | Germany | E-mail: | prod@blasi.de |
| Material: | tempered safety glass 10 mm | Website: | www.blasi.de |
| Hardware: | tempered safety glass 10 mm | Phone: | +49 822 / 863 - 1190 |
| Notes: | | | |
| 1. All visible components must be made of stainless steel. | | | |
| 2. All visible components must be made of stainless steel. | | | |
| 3. All visible components must be made of stainless steel. | | | |
| 4. All visible components must be made of stainless steel. | | | |
| 5. All visible components must be made of stainless steel. | | | |
| 6. All visible components must be made of stainless steel. | | | |
| 7. All visible components must be made of stainless steel. | | | |
| 8. All visible components must be made of stainless steel. | | | |
| 9. All visible components must be made of stainless steel. | | | |
| 10. All visible components must be made of stainless steel. | | | |
| 11. All visible components must be made of stainless steel. | | | |
| 12. All visible components must be made of stainless steel. | | | |
| 13. All visible components must be made of stainless steel. | | | |
| 14. All visible components must be made of stainless steel. | | | |
| 15. All visible components must be made of stainless steel. | | | |
| 16. All visible components must be made of stainless steel. | | | |
| 17. All visible components must be made of stainless steel. | | | |
| 18. All visible components must be made of stainless steel. | | | |
| 19. All visible components must be made of stainless steel. | | | |
| 20. All visible components must be made of stainless steel. | | | |



front elevation - outside

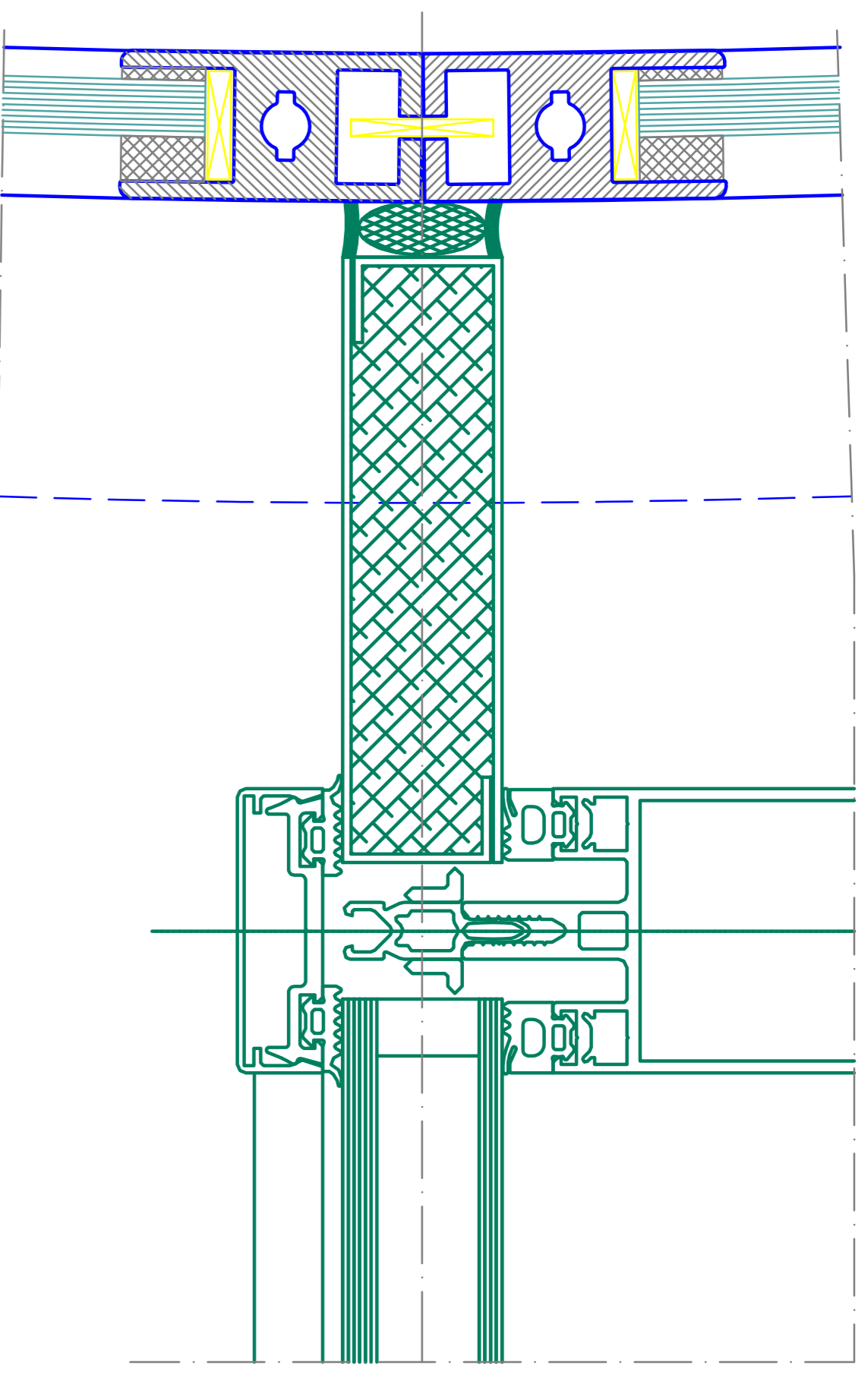
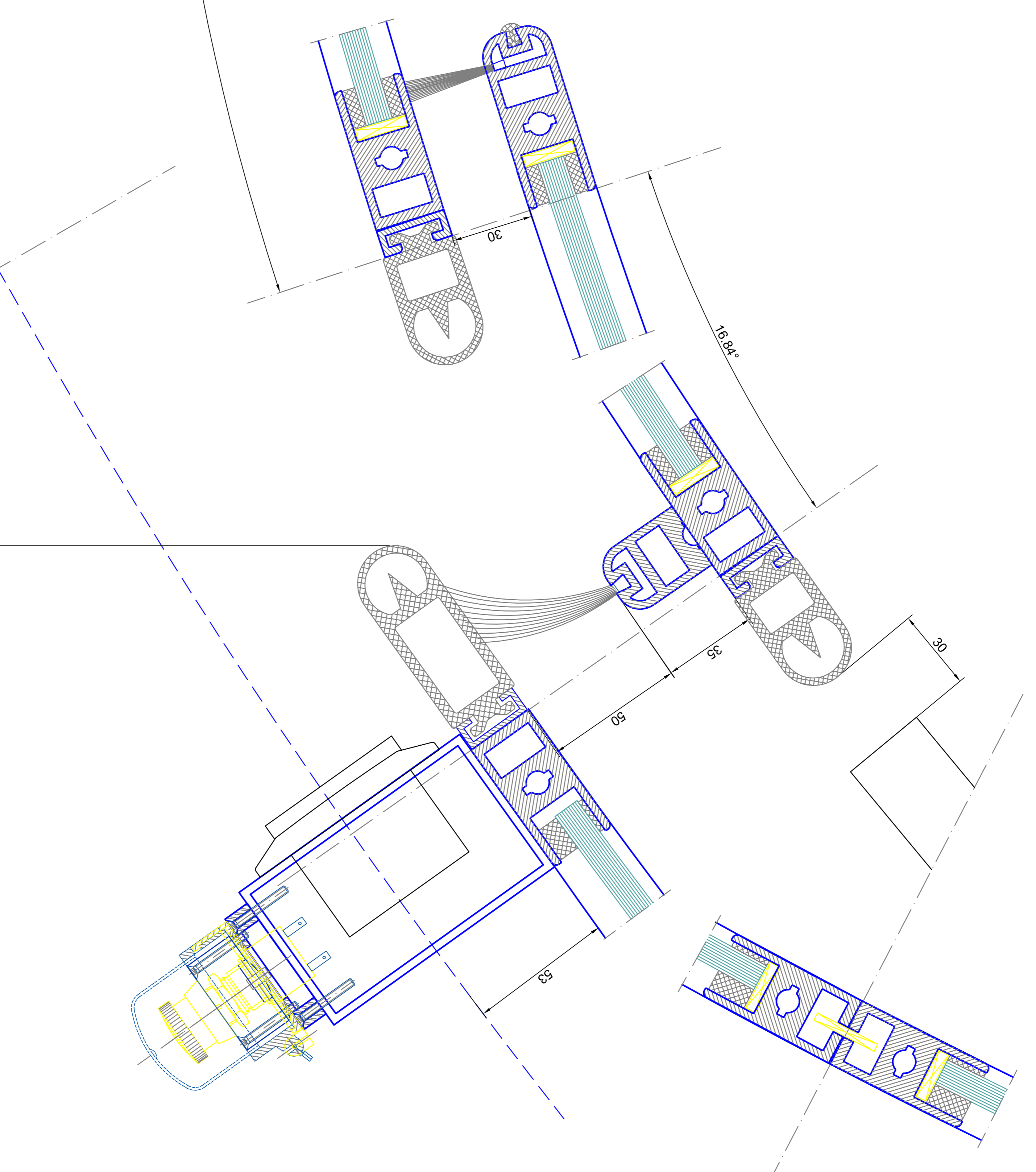
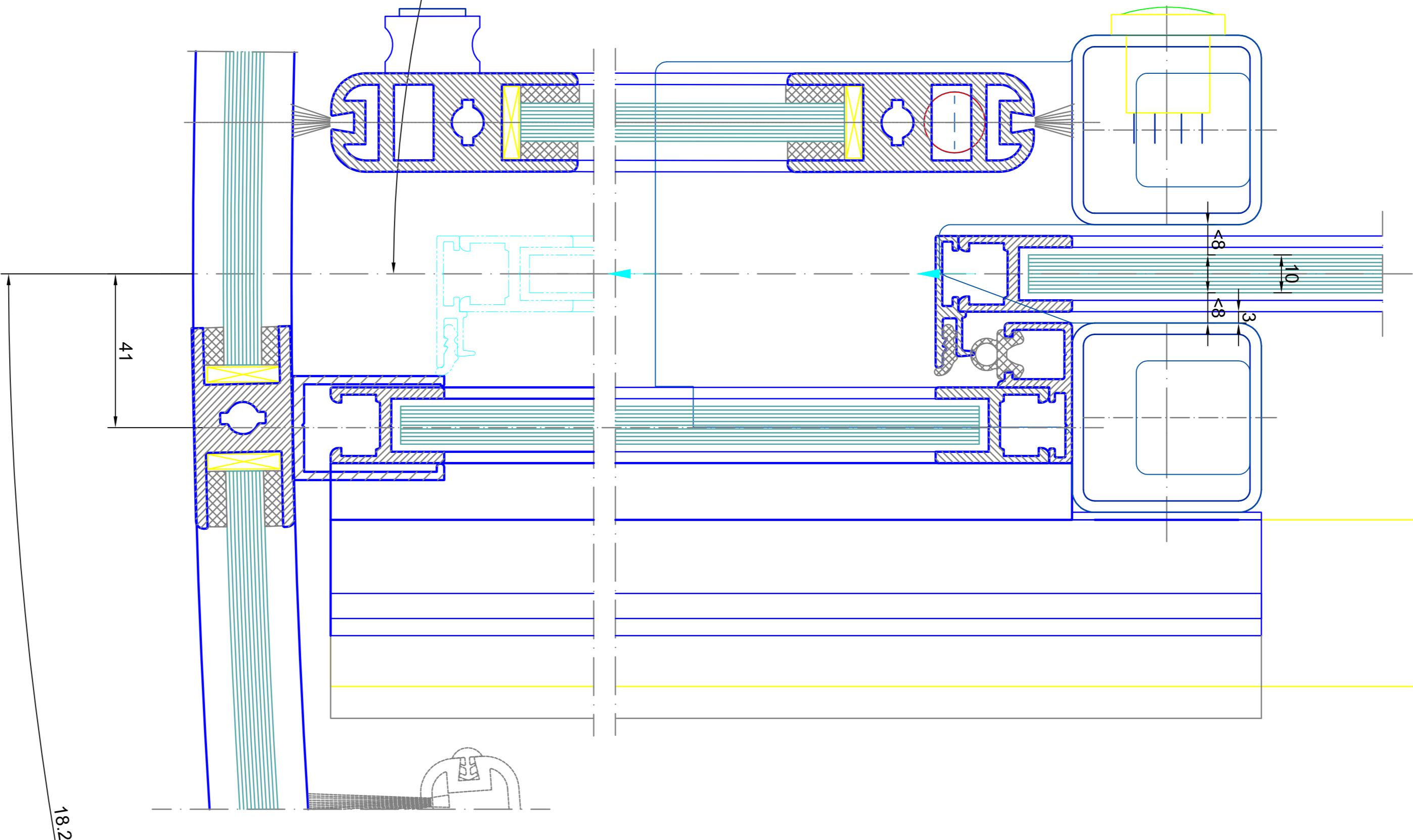
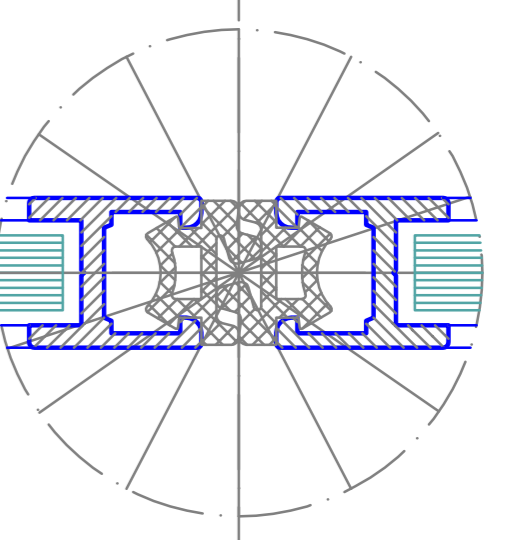
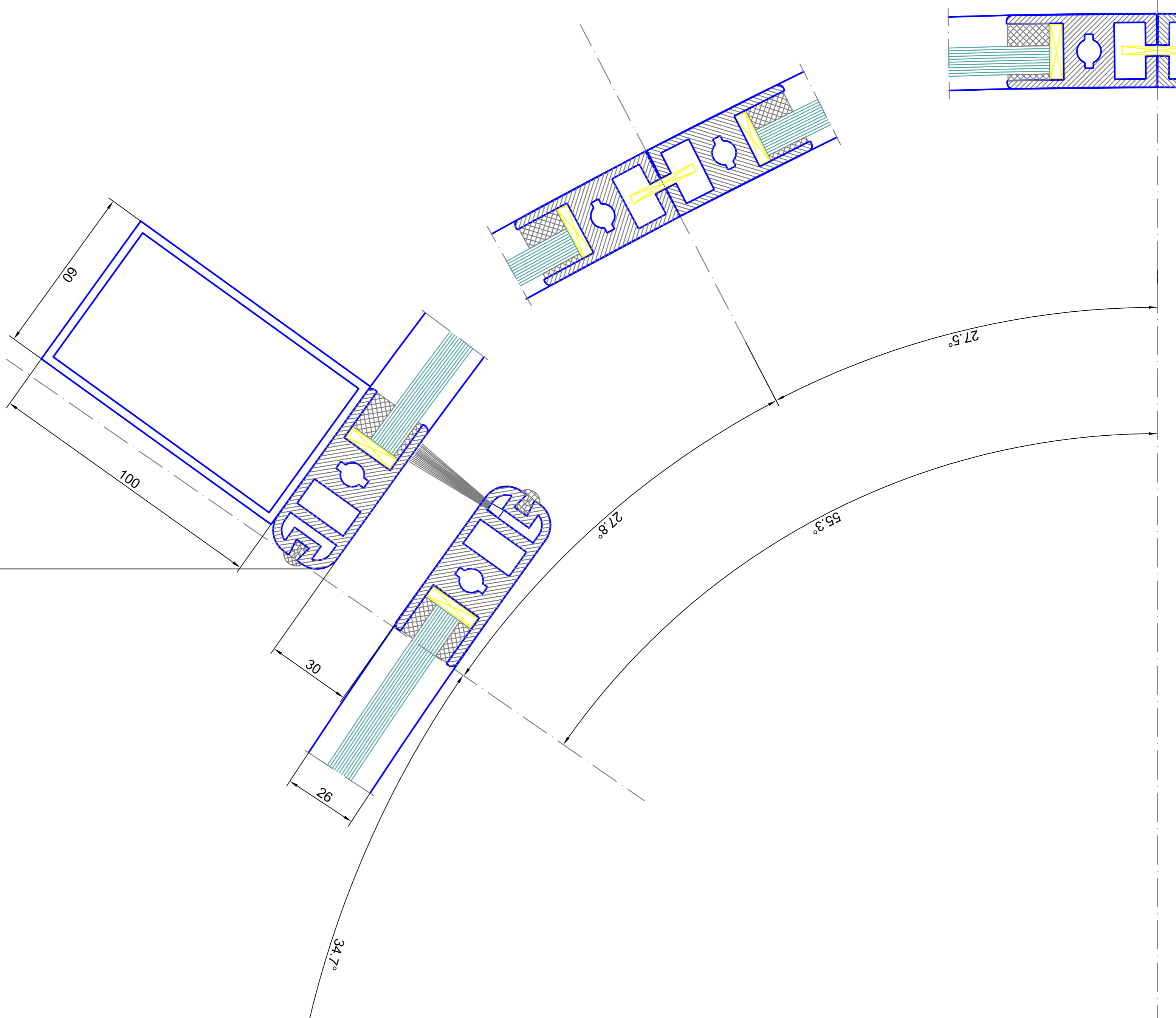
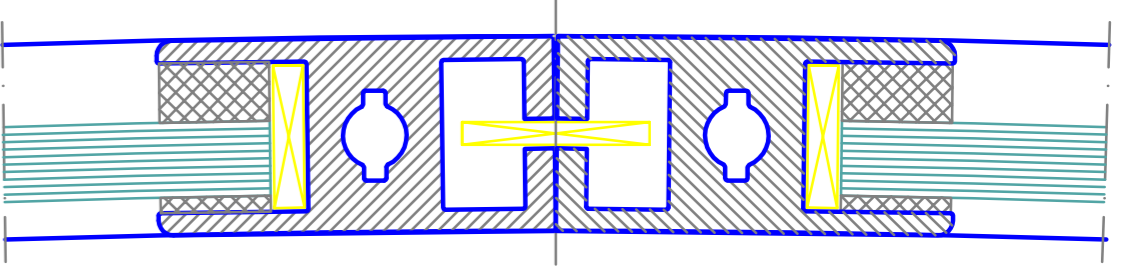
| | | | |
|--------------|--------------|-------------|--------------------------|
| Brand | BLASI | Model | K21-SF42 |
| Material | Aluminum | Finish | Brushed stainless steel |
| Weight | 150 kg | Dimensions | 2340 x 2850 x 650 mm |
| Installation | Wall-mounted | Accessories | Optional: Waterspout Q45 |

| | | | |
|--------------|-----------------------------|-------------|-----------------------------|
| Material | tempered safety glass 10 mm | Material | tempered safety glass 10 mm |
| Weight | 150 kg | Dimensions | 2340 x 2850 x 650 mm |
| Installation | Wall-mounted | Accessories | Optional: Waterspout Q45 |

BLASI
 Automatic Doors
 Call center: +39 02 8341111
 Website: www.blasi.it

Tel: +39 02 8341111
 Fax: +39 02 8341112
 Email: info@blasi.it

Scale: A4 = 1:10
 Type: K21-SF42
 Configuration No.:
 Date: 03/2024



passage width A = 2340

horizontal section - details

| | | | |
|--|--|---|---|
| BLASI B L A S I G m b H Automatic Doors Cef. Strada 5, 15 0 - 1 1 7 2 1 1 0 0 9 9 WWW.BLASI.IT | | Tel. +39 022 / 863.291 Fax. +39 022 / 863.299 E-mail: info@blasi.it | |
| Scale: A30 = A1:1 Type: K21-SSF-42 Project: SAMPLE DRAWING ONLY | Scale: A30 = A1:1 Type: K21-SSF-42 Project: SAMPLE DRAWING ONLY | Sheet: 304/43 Drawing: tempered safety glass 10 mm | Sheet: 304/43 Drawing: tempered safety glass 10 mm |
| Note: tempered safety glass 10 mm | | | |
| Note: tempered safety glass 10 mm | | | |