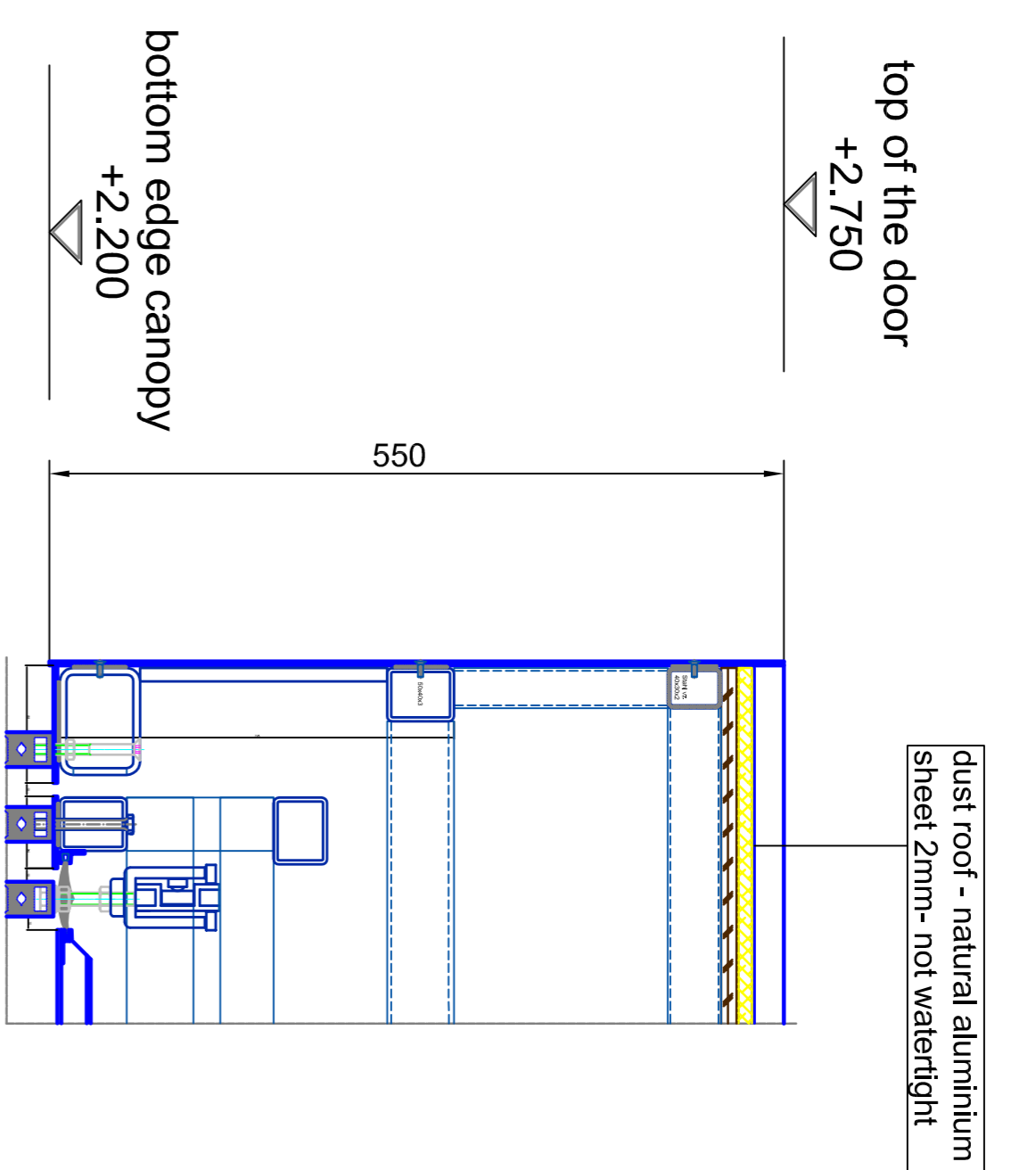


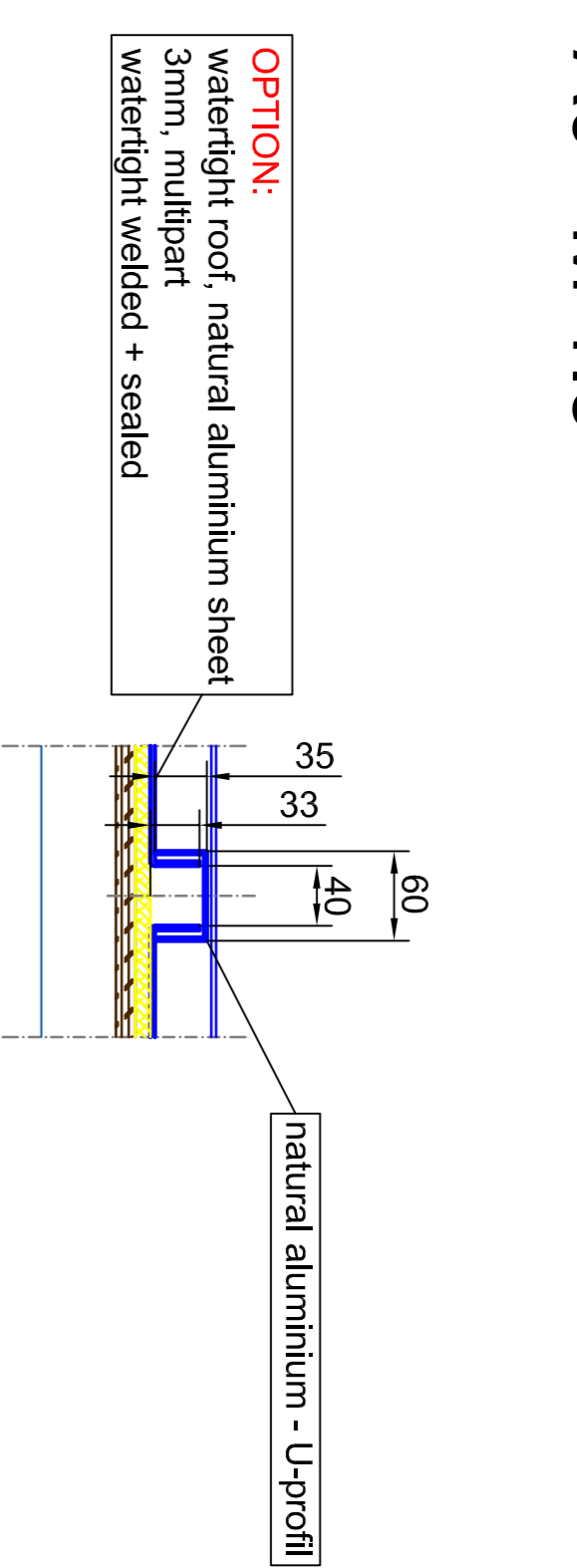
### vertical section - watertight roof / waterspout

A0 - M 1:5



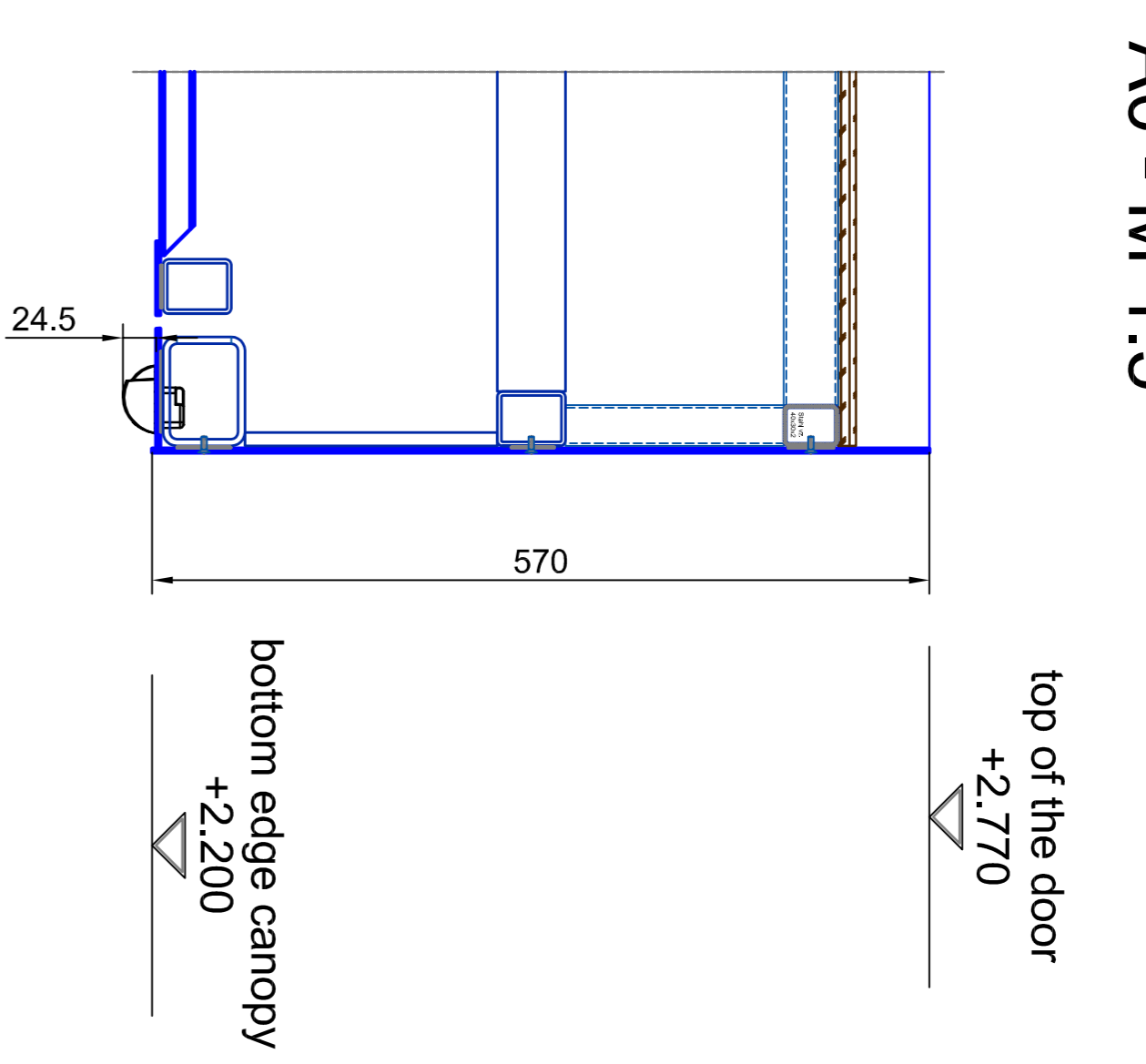
### vertical section - dust roof / outside

A0 - M 1:5



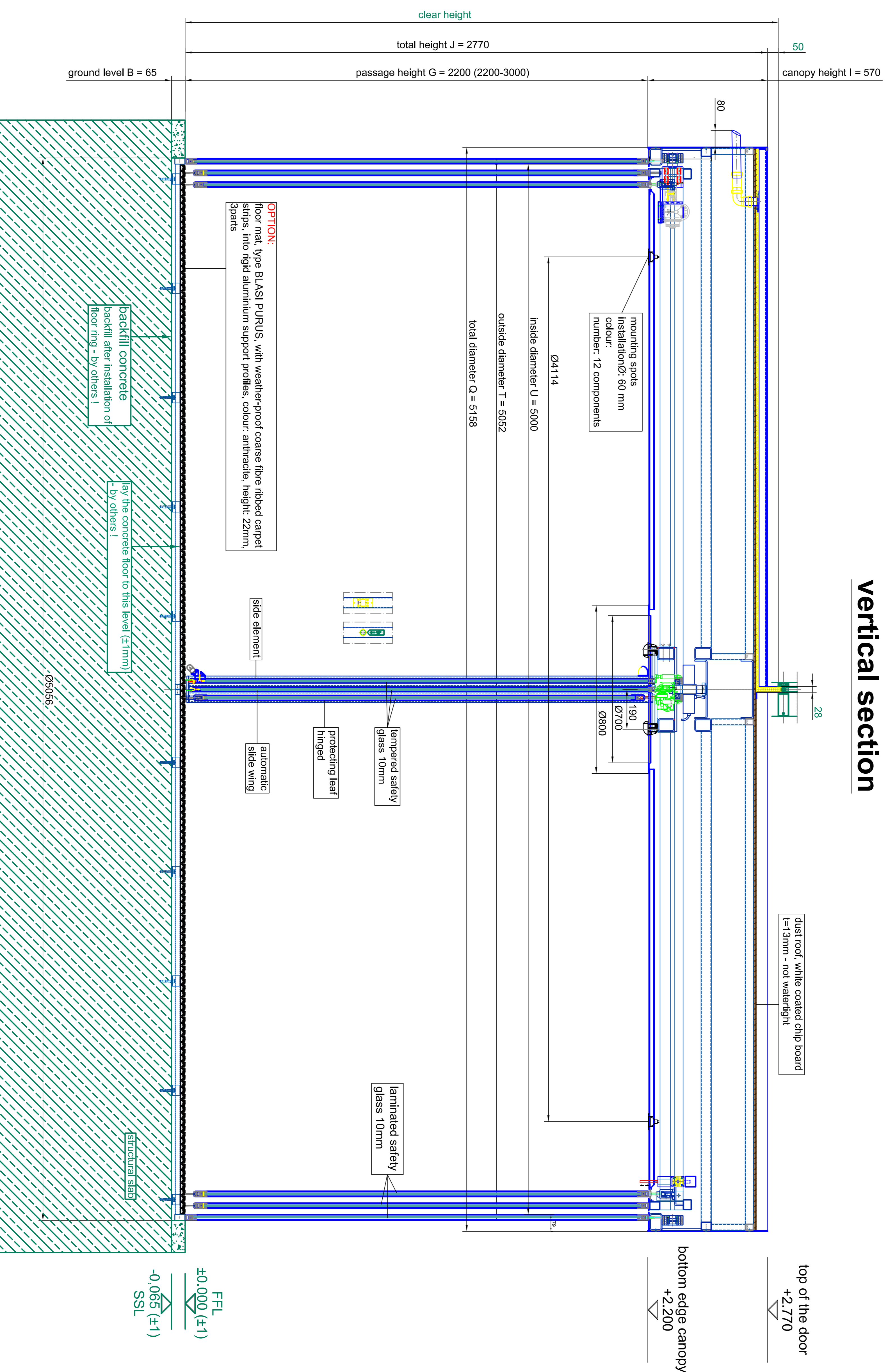
### vertical section - watertight roof - multipart

A0 - M 1:5



### vertical section - passage area / inside

A0 - M 1:5

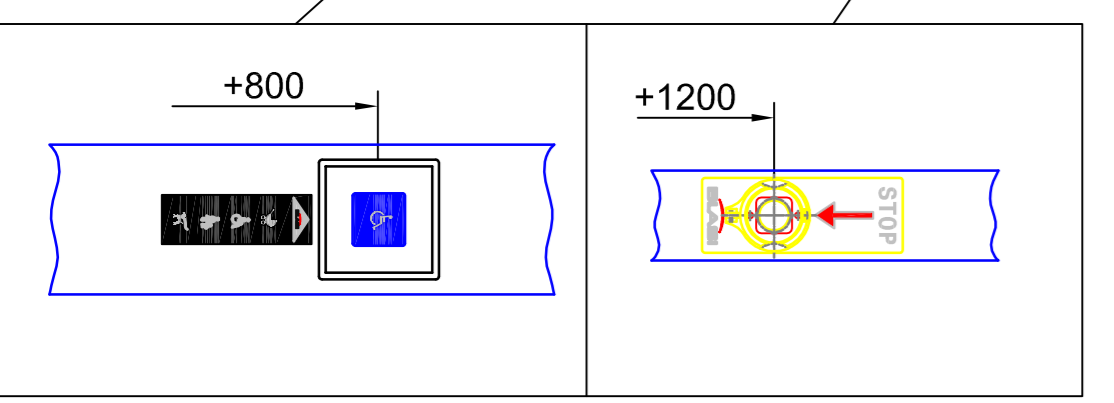
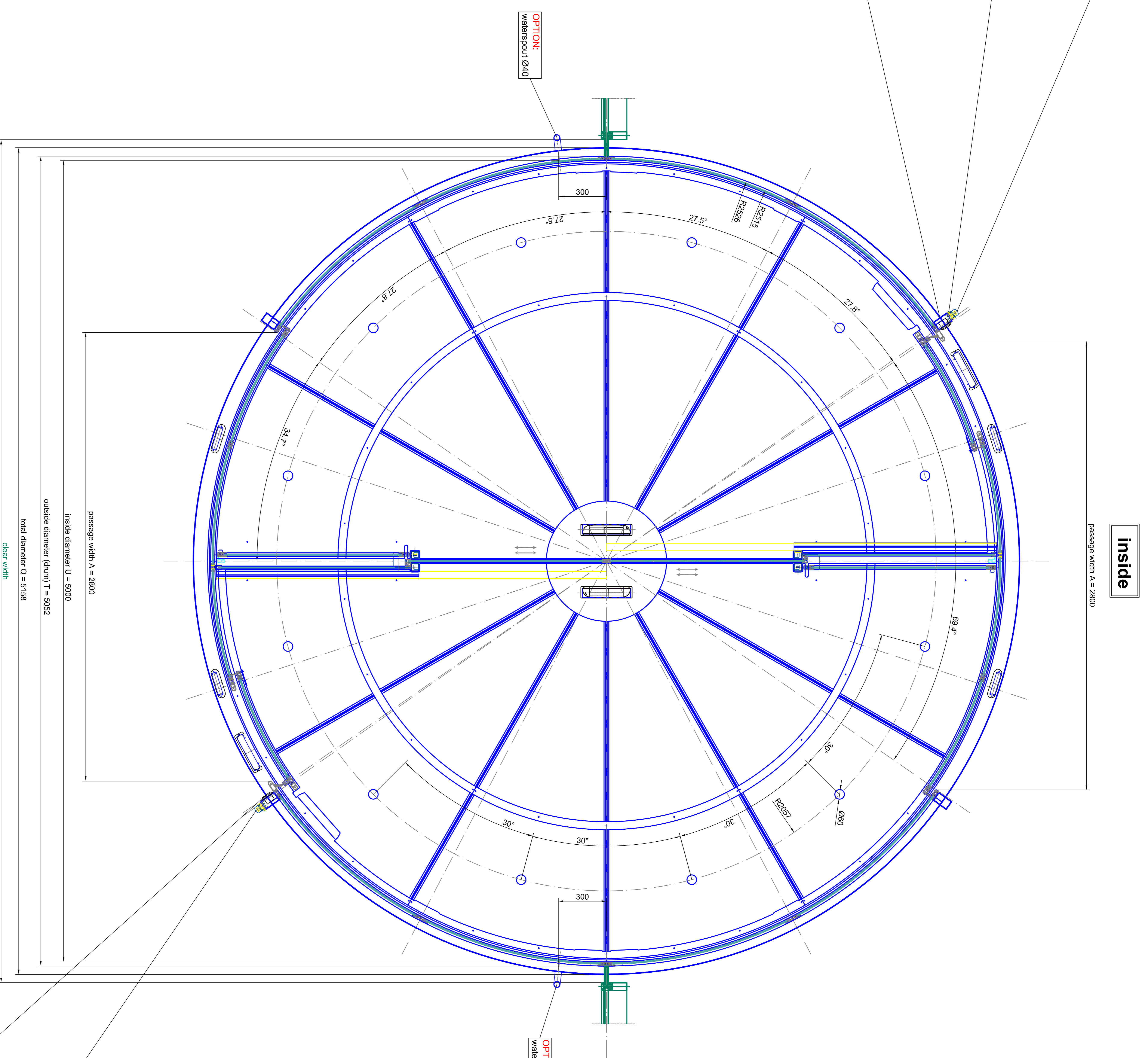
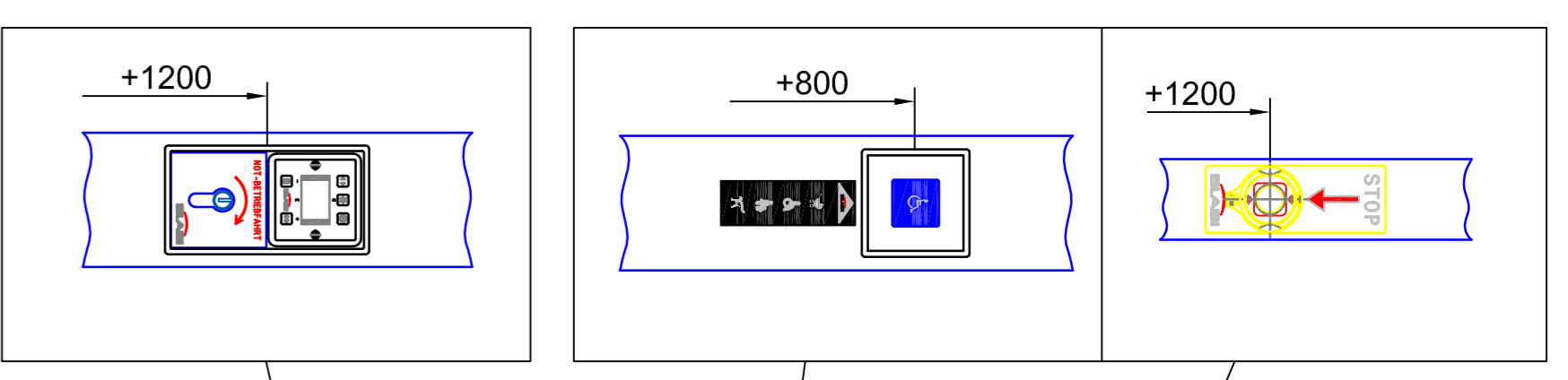


### vertical section

outside

inside

|                                                                                                                                                                                                  |                 |                     |                 |
|--------------------------------------------------------------------------------------------------------------------------------------------------------------------------------------------------|-----------------|---------------------|-----------------|
| Scale:                                                                                                                                                                                           | A0 - M 1:10     | Contract No.:       |                 |
| Project:                                                                                                                                                                                         | BLASI           | Client:             | BLASI           |
| Drawn:                                                                                                                                                                                           | Automatic Doors | Technical Director: | Automatic Doors |
| Checked:                                                                                                                                                                                         | Automatic Doors | Contractor:         | Automatic Doors |
| Date:                                                                                                                                                                                            | 01/11/2023      | Scale:              | A0 - M 1:10     |
| <b>SAMPLE DRAWING - ONLY</b>                                                                                                                                                                     |                 |                     |                 |
| B L A S I G m b H    Tel. +49(0)822 / 863 . 281<br>Automatic Doors    Fax. +49(0)822 / 863 . 299<br>Carl-Stein-Str. 5-15    Email: info@blasi.de<br>D - 71737 Waiblingen    WWW: blasi.de - 1190 |                 |                     |                 |



horizontal section - door in standard position

passage width A = 2800  
 inside diameter U = 5000  
 outside diameter (dunn) T = 5052  
 total diameter Q = 5158  
 clear width

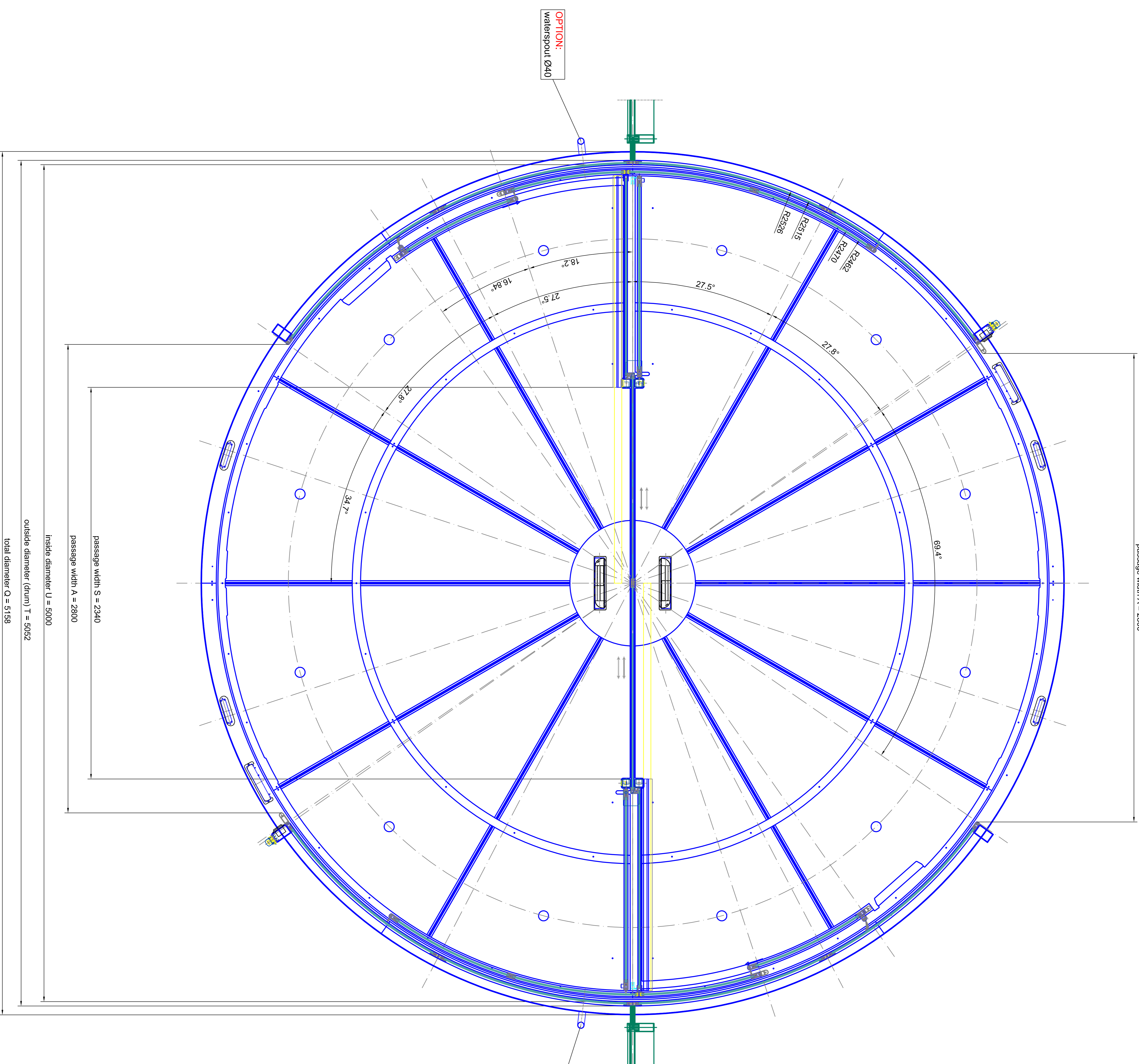
inside  
 passage width A = 2800

outside

|           |                                        |                    |                       |
|-----------|----------------------------------------|--------------------|-----------------------|
| Scale:    | A0 = M 1:10                            | Configuration No.: | 020                   |
| Project:  | BLASI                                  | Project:           | K21-SF-50             |
| Client:   | BLASI G m b H                          | Contract:          | SAMPLE DRAWING - ONLY |
| Address:  | Autonomic Drive                        | Scale:             | A0 = M 1:10           |
| City:     | Castel San Pietro                      | Project:           | K21-SF-50             |
| Country:  | Italy                                  | Contract:          | SAMPLE DRAWING - ONLY |
| Phone:    | +39 0522 883 291                       | Scale:             | A0 = M 1:10           |
| Fax:      | +39 0522 883 299                       | Project:           | K21-SF-50             |
| Website:  | www.blasi.it                           | Contract:          | SAMPLE DRAWING - ONLY |
| Material: | tempered safety glass 10 mm            | Scale:             | A0 = M 1:10           |
| Finish:   | tempered safety glass 10 mm            | Project:           | K21-SF-50             |
| Notes:    | 1. All dimensions are in mm (UN 1991)  | Contract:          | SAMPLE DRAWING - ONLY |
|           | 2. All dimensions are in mm (UN 1991)  | Scale:             | A0 = M 1:10           |
|           | 3. All dimensions are in mm (UN 1991)  | Project:           | K21-SF-50             |
|           | 4. All dimensions are in mm (UN 1991)  | Contract:          | SAMPLE DRAWING - ONLY |
|           | 5. All dimensions are in mm (UN 1991)  | Scale:             | A0 = M 1:10           |
|           | 6. All dimensions are in mm (UN 1991)  | Project:           | K21-SF-50             |
|           | 7. All dimensions are in mm (UN 1991)  | Contract:          | SAMPLE DRAWING - ONLY |
|           | 8. All dimensions are in mm (UN 1991)  | Scale:             | A0 = M 1:10           |
|           | 9. All dimensions are in mm (UN 1991)  | Project:           | K21-SF-50             |
|           | 10. All dimensions are in mm (UN 1991) | Contract:          | SAMPLE DRAWING - ONLY |

inside

passage width A = 2800



passage width S = 2340  
 passage width A = 2800  
 inside diameter U = 5000  
 outside diameter (drum) T = 5052  
 total diameter Q = 5158

outside

horizontal section - door in open door position

|              |                             |
|--------------|-----------------------------|
| Scale:       | A0 = M 1:10                 |
| Project:     | 364.48                      |
| Client:      | BLASI                       |
| Material:    | tempered safety glass 10 mm |
| Accessories: | tempered safety glass 10 mm |

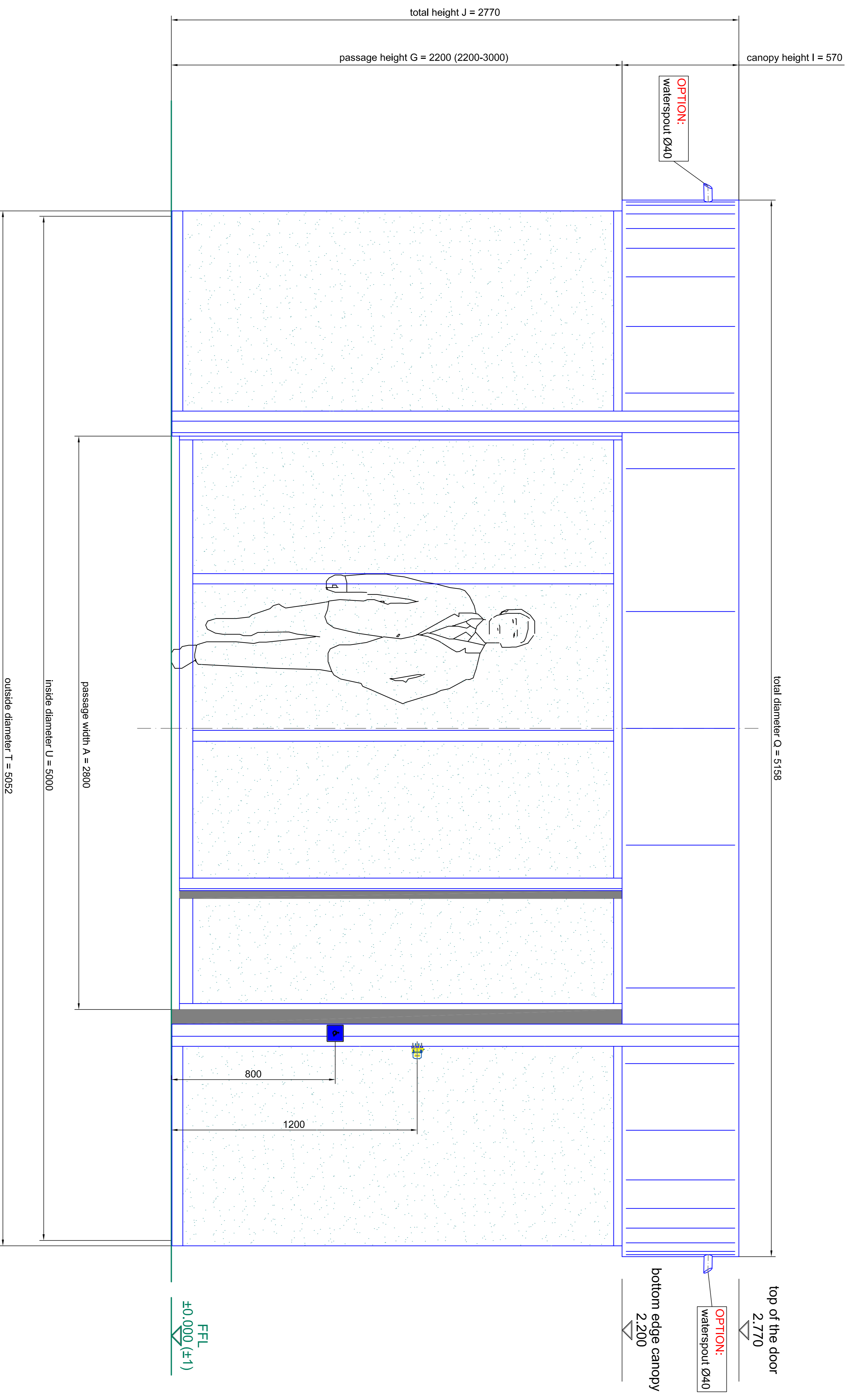
**BLASI**  
 B L A S I G m b H  
 Automatic Doors  
 Call center: +39 051 240000  
 0 - 7 / 7 - 24 hours

Tel. +39 0522 / 883.281  
 Fax. +39 0522 / 883.288  
 Email: info@blasi.it  
 www.blasi.it

**K21-SF-50**  
 SAMPLE DRAWING - ONLY

Scale: A0 = M 1:10  
 Project: 364.48  
 Client: BLASI  
 Material: tempered safety glass 10 mm  
 Accessories: tempered safety glass 10 mm

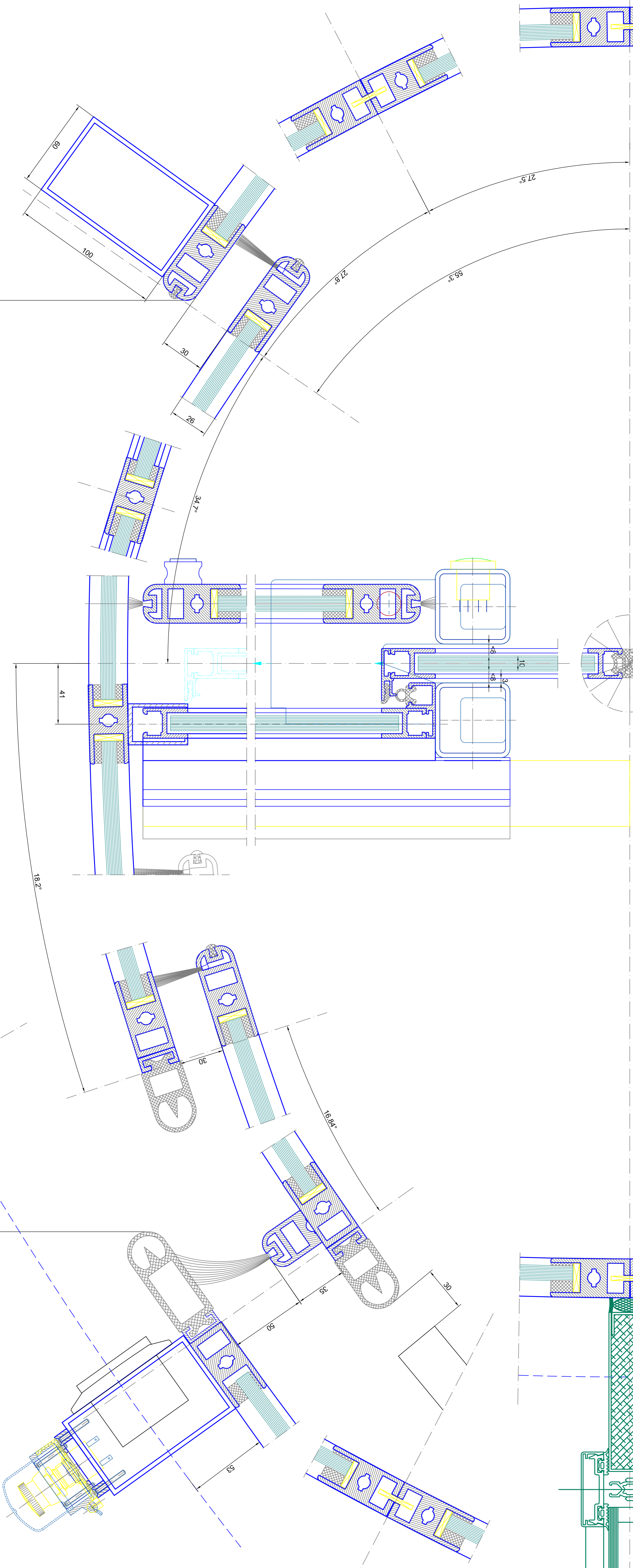
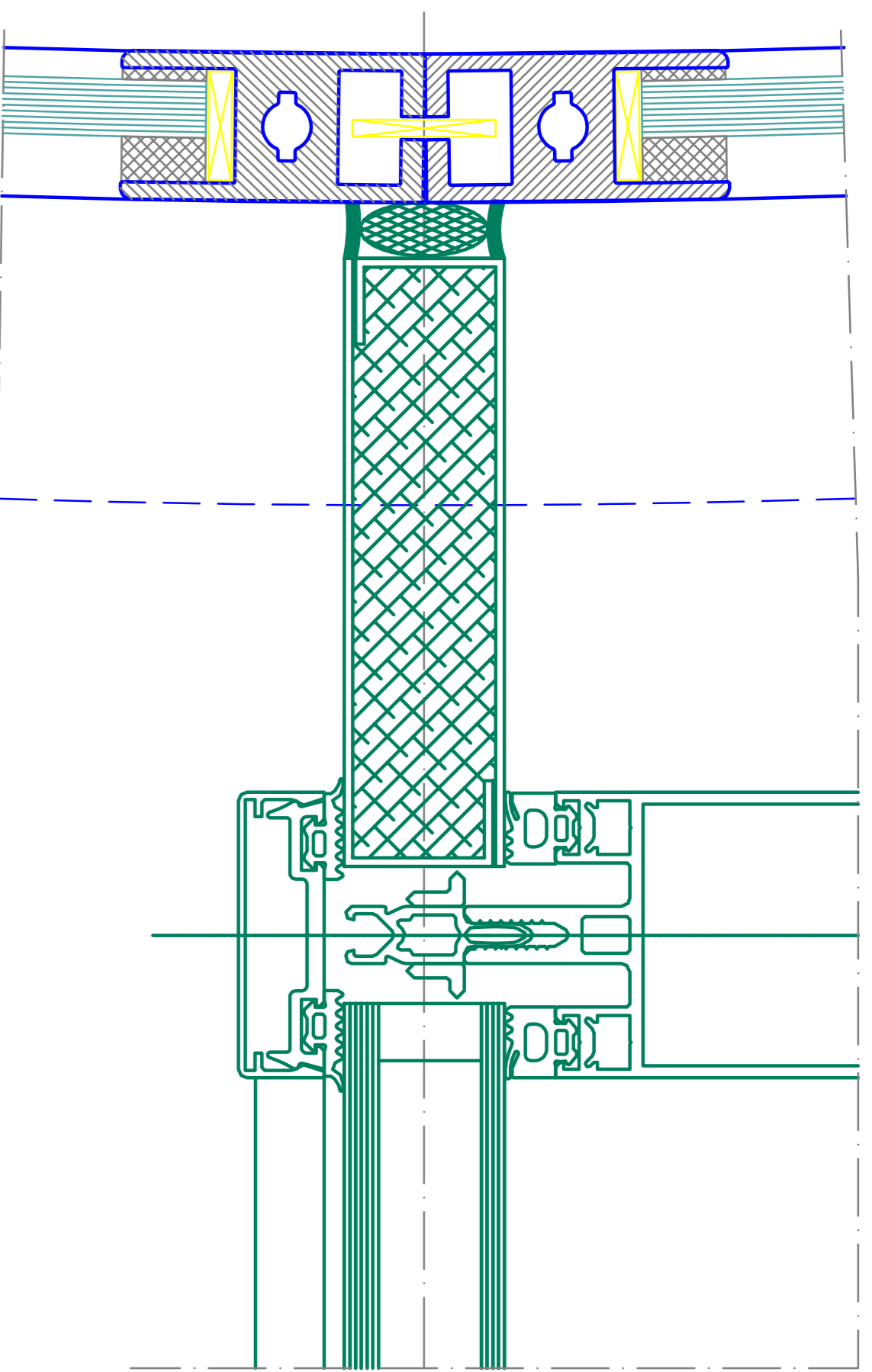
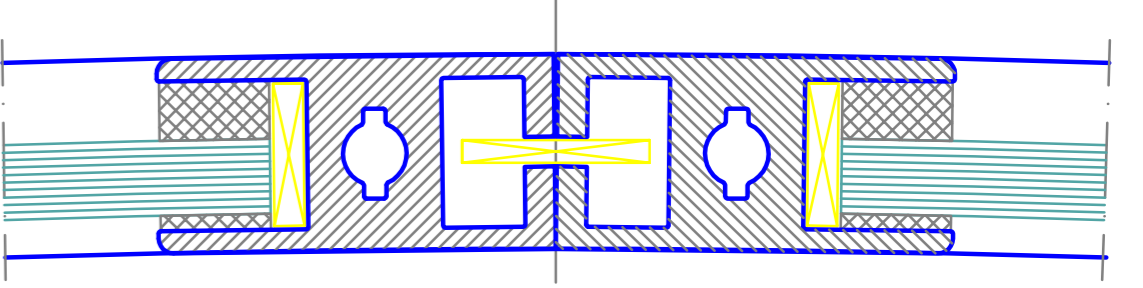
Page: 03  
 Rev: 05



front elevation - outside

|              |                                                                  |                    |                     |
|--------------|------------------------------------------------------------------|--------------------|---------------------|
| Scale:       | A0 = M 1:10                                                      | Configuration No.: |                     |
| Project:     | BLASI                                                            | Project:           | K21-SF-50           |
| Client:      | Automatic Doors                                                  | Contract:          | SAMPLE DRAWING ONLY |
| Address:     | Blasi s.p.a. - Via S. Maria Maddalena, 10 - 40138 Bologna, Italy | Revision:          |                     |
| Phone:       | +39 051 261111                                                   | Scale:             | A0 = M 1:10         |
| Fax:         | +39 051 261112                                                   | Configuration No.: |                     |
| Website:     | www.blasi.com                                                    | Project:           | K21-SF-50           |
| Product:     | Automatic Doors                                                  | Contract:          | SAMPLE DRAWING ONLY |
| Material:    | tempered safety glass 10 mm                                      | Revision:          |                     |
| Accessories: | OPTION: waterspout Ø40                                           | Scale:             | A0 = M 1:10         |
| Notes:       |                                                                  | Configuration No.: |                     |
|              |                                                                  | Project:           | K21-SF-50           |
|              |                                                                  | Contract:          | SAMPLE DRAWING ONLY |
|              |                                                                  | Revision:          |                     |
|              |                                                                  | Scale:             | A0 = M 1:10         |
|              |                                                                  | Configuration No.: |                     |
|              |                                                                  | Project:           | K21-SF-50           |
|              |                                                                  | Contract:          | SAMPLE DRAWING ONLY |
|              |                                                                  | Revision:          |                     |
|              |                                                                  | Scale:             | A0 = M 1:10         |
|              |                                                                  | Configuration No.: |                     |
|              |                                                                  | Project:           | K21-SF-50           |
|              |                                                                  | Contract:          | SAMPLE DRAWING ONLY |
|              |                                                                  | Revision:          |                     |
|              |                                                                  | Scale:             | A0 = M 1:10         |
|              |                                                                  | Configuration No.: |                     |
|              |                                                                  | Project:           | K21-SF-50           |
|              |                                                                  | Contract:          | SAMPLE DRAWING ONLY |
|              |                                                                  | Revision:          |                     |
|              |                                                                  | Scale:             | A0 = M 1:10         |
|              |                                                                  | Configuration No.: |                     |
|              |                                                                  | Project:           | K21-SF-50           |
|              |                                                                  | Contract:          | SAMPLE DRAWING ONLY |
|              |                                                                  | Revision:          |                     |
|              |                                                                  | Scale:             | A0 = M 1:10         |
|              |                                                                  | Configuration No.: |                     |
|              |                                                                  | Project:           | K21-SF-50           |
|              |                                                                  | Contract:          | SAMPLE DRAWING ONLY |
|              |                                                                  | Revision:          |                     |

BLASI  
Automatic Doors  
Via S. Maria Maddalena, 10  
40138 Bologna, Italy  
Tel. +39 051 261111  
Fax +39 051 261112  
www.blasi.com



passage width A = 2800

# horizontal section - details

|                                                                                                                                    |                                                                          |                                                                                                             |                                                                                               |
|------------------------------------------------------------------------------------------------------------------------------------|--------------------------------------------------------------------------|-------------------------------------------------------------------------------------------------------------|-----------------------------------------------------------------------------------------------|
| <b>BLASI</b><br>B L A S I G m b H<br>Automatic Doors<br>Cef. steel s.r.l. s.p.a.<br>0 - 1 1 7 1 7 1 0 0 0 0<br>WWW - BLASI - IT/US |                                                                          | Tel. +39 0323 / 883 - 281<br>Fax. +39 0323 / 883 - 289<br>E-mail: info@blasi.com<br>E-mail: blasi@blasi.com |                                                                                               |
| Scale: A40 = A1:1:1<br>Type: K21-SISF-50<br>Title: SAMPLE DRAWING - ONLY                                                           | Scale: A40 = A1:1:1<br>Type: K21-SISF-50<br>Title: SAMPLE DRAWING - ONLY | Sheet: 364/48<br>Project: 364/48<br>Drawing: 364/48                                                         | Date: 10/05/2011<br>Author: 364/48<br>Designer: 364/48<br>Checker: 364/48<br>Approver: 364/48 |