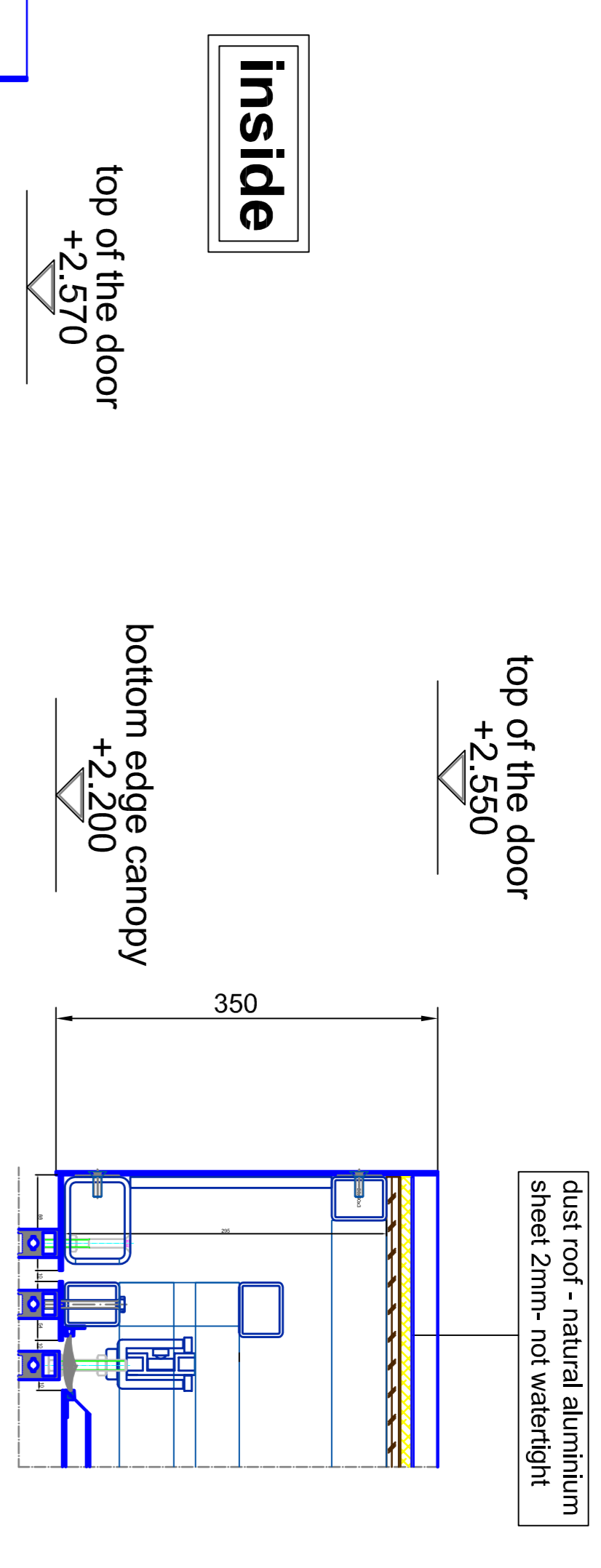
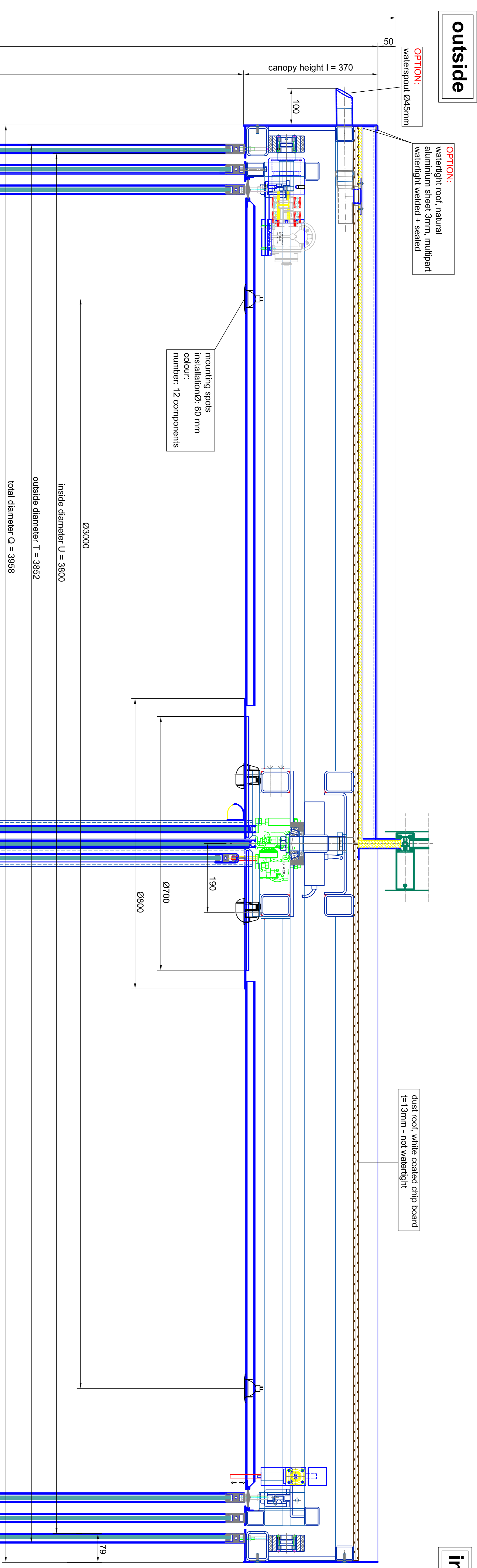


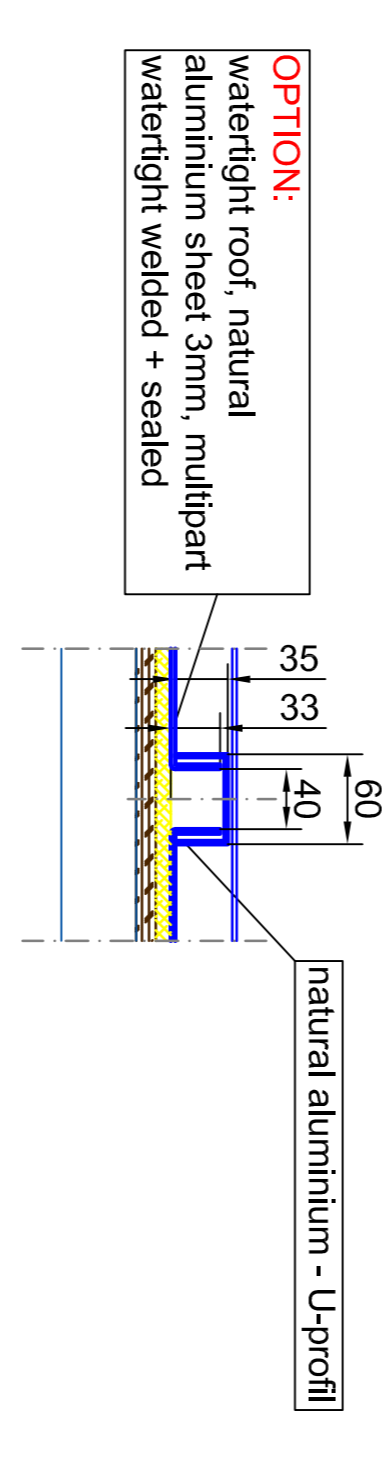
### vertical section - dust roof / outside



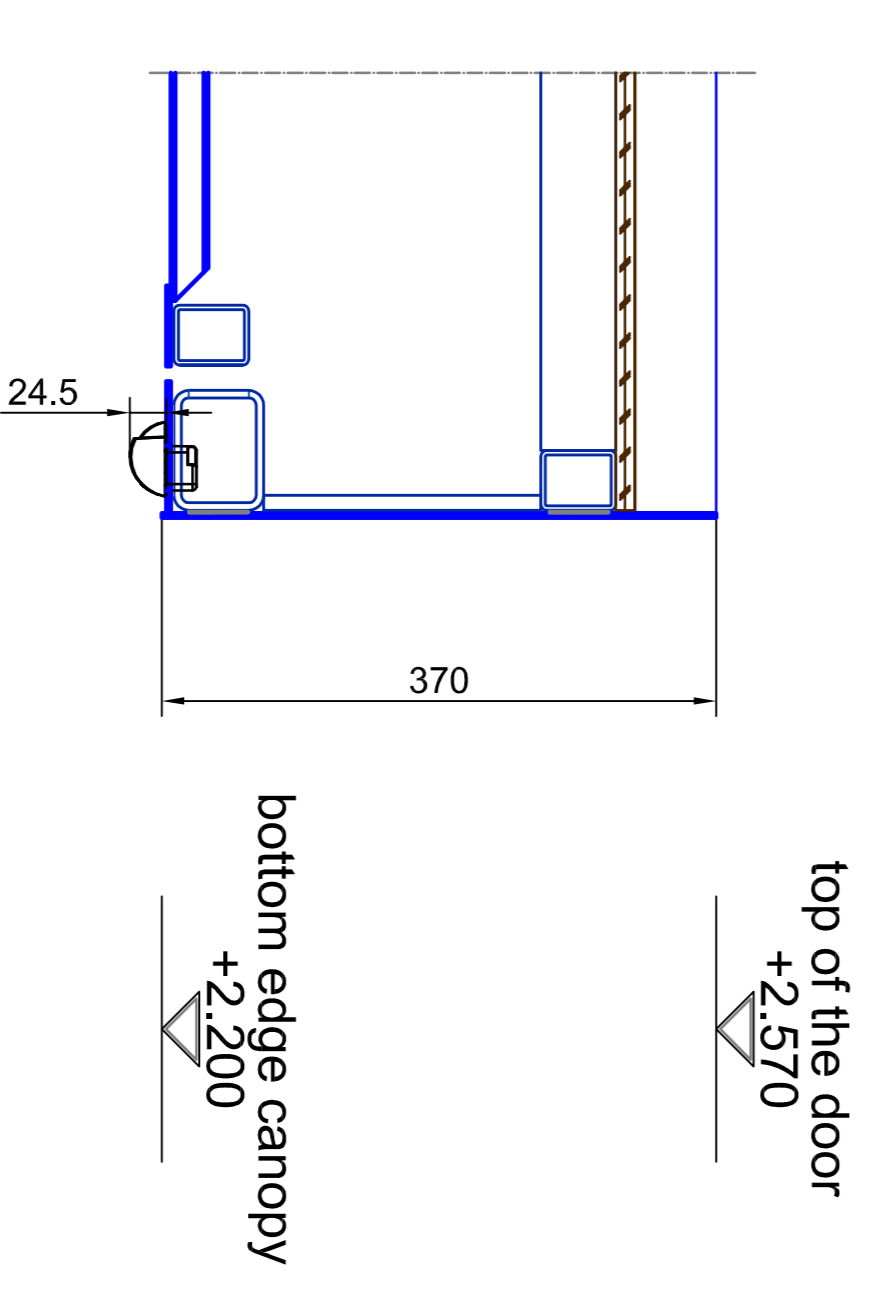
### vertical section



### vertical section - watertight roof - multipart



### vertical section - passage area / inside

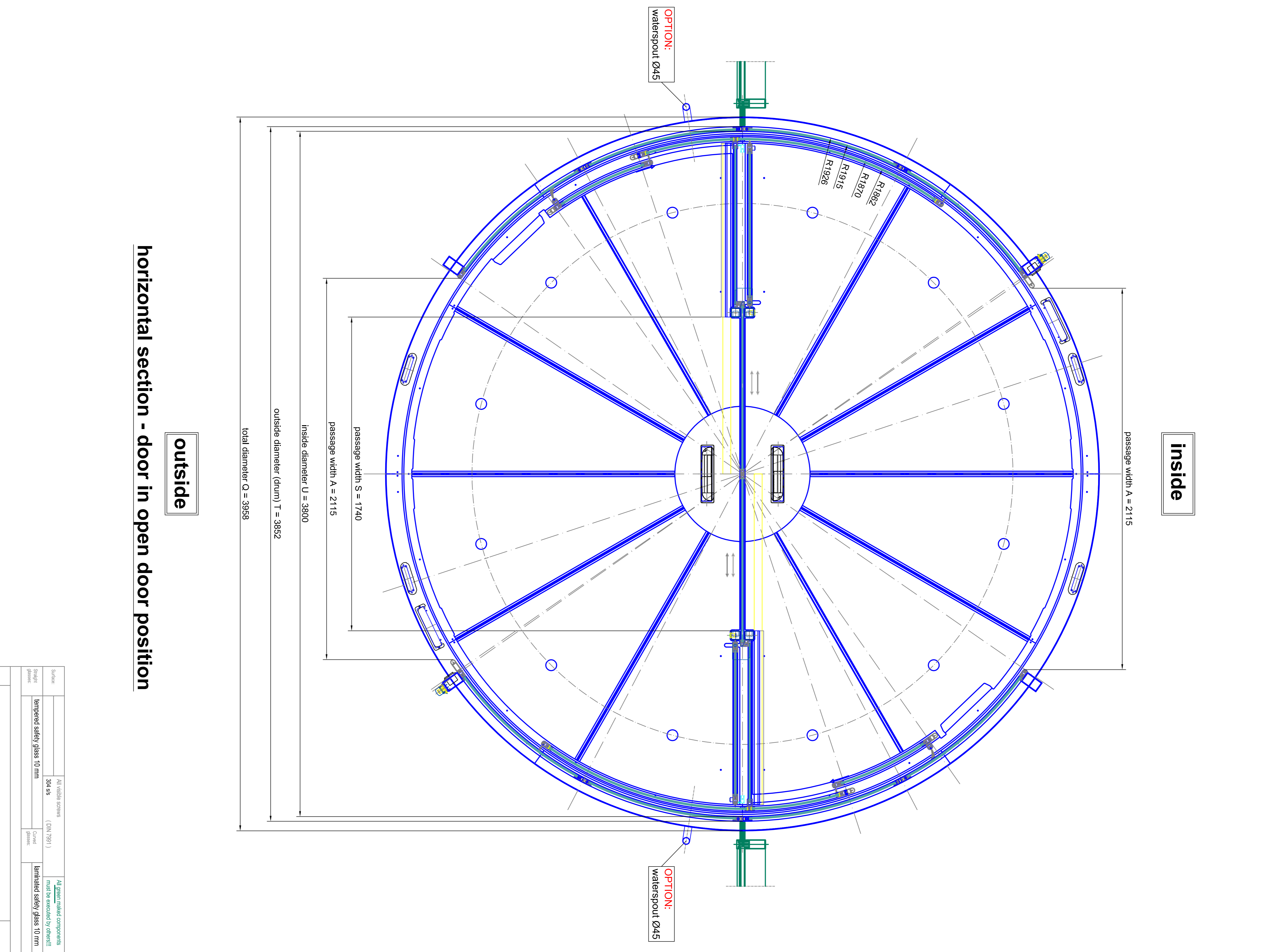
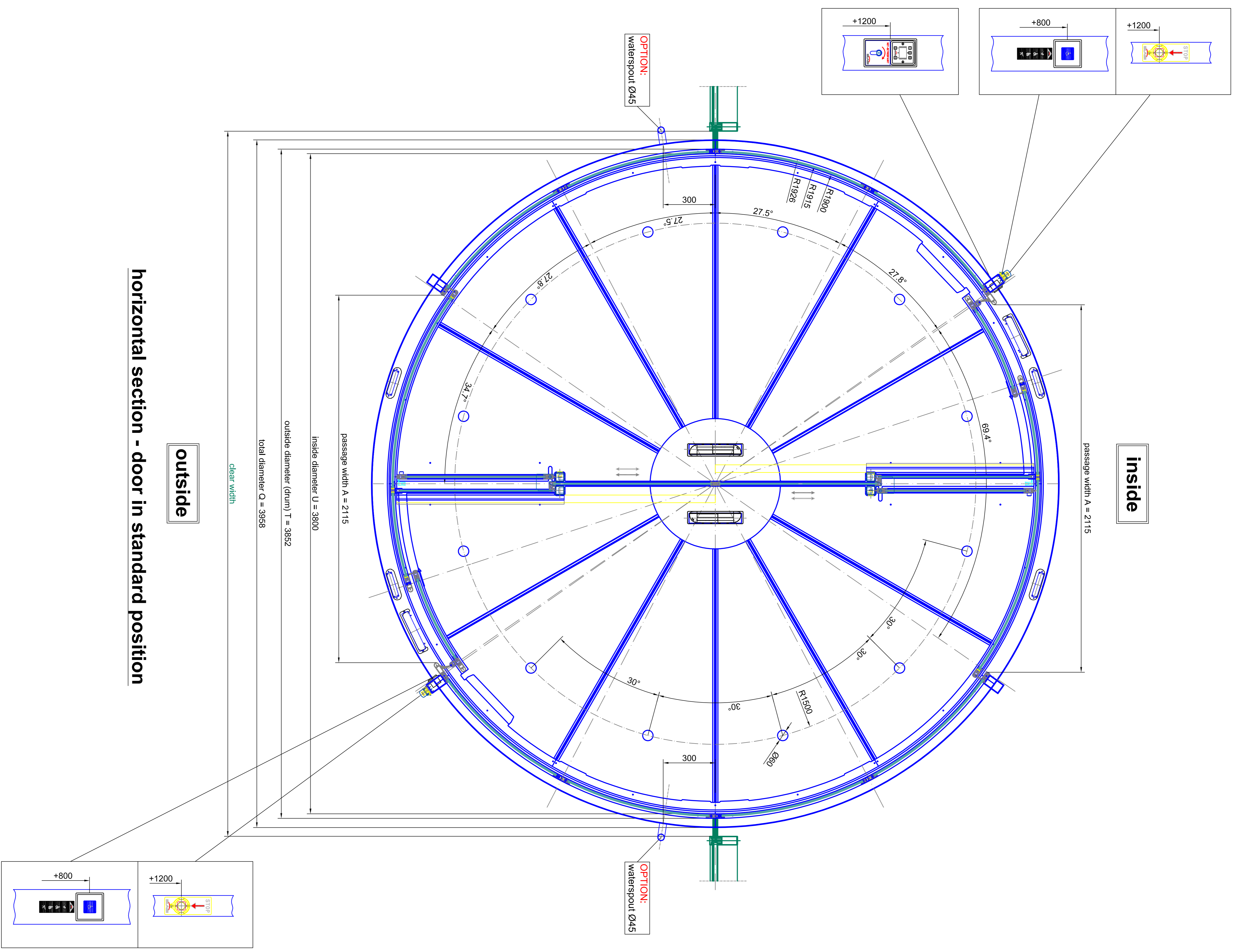


F.L.  
±0.000 (±1)

S.S.L.  
-0.065 (±1)

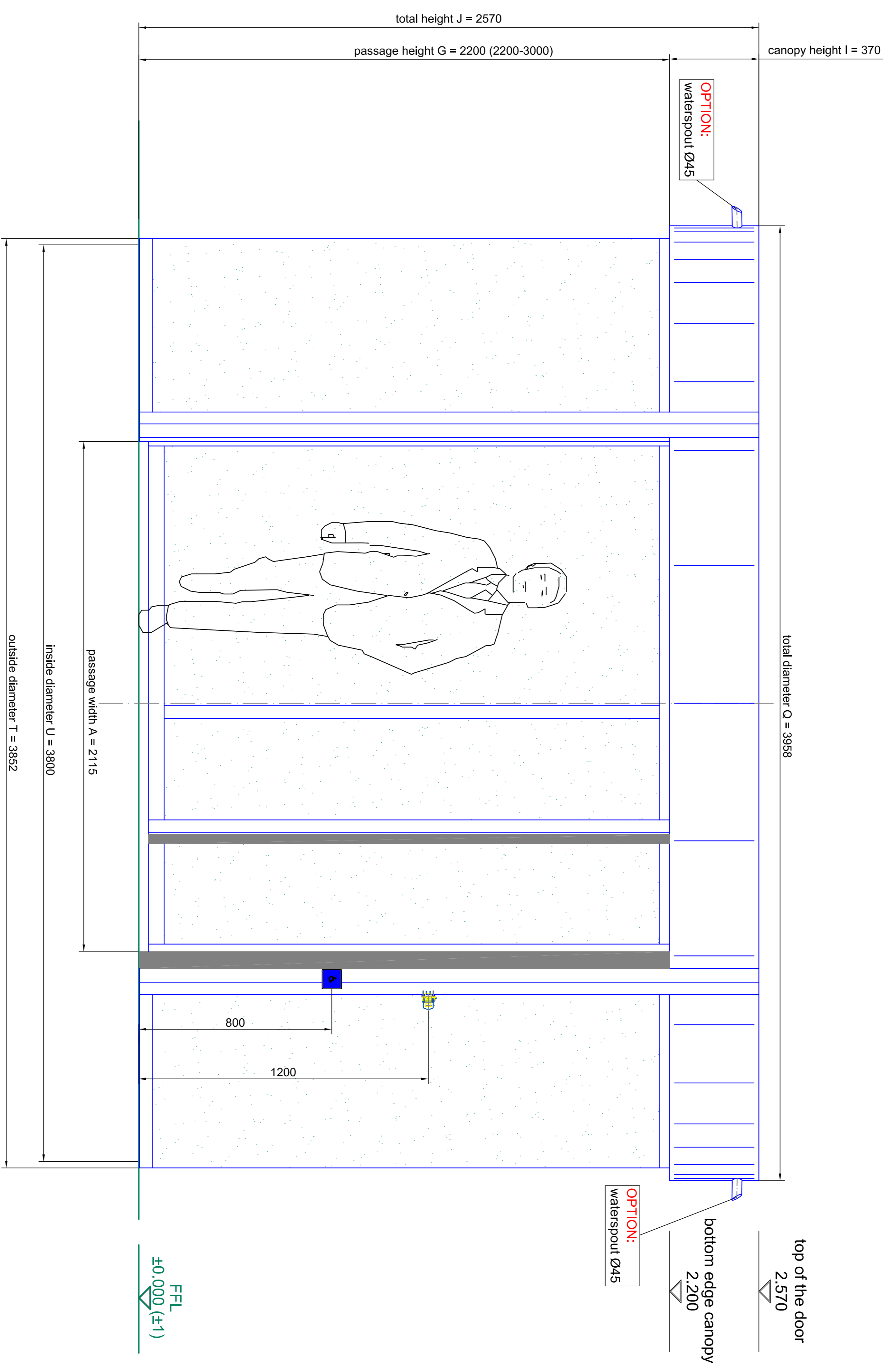
<b>BLASI</b> B L A S I G m b H Automatic Doors Carl-Stein-Str. 15 D-71712 Waldby Tel. +49(0)723 / 893 - 291 Fax. +49(0)723 / 893 - 299 E-mail: info@blasig.de WWW: blasig.de		Scale: A0 = M 1:5 Title: K21-SISF-38 Content: SAMPLE DRAWING ONLY	
Sheet: 01 of 04	Date: 04	Project:	Drawing No.:





Scale:	A0 = M 1:10	Configuration No.:	020
Model:	K21-SF-38	Contract No.:	020
Project:	SAMPLE DRAWING ONLY	Revision:	02
Client:	BLASI	Drawn by:	04
Address:	BLASI G m b H	Checked by:	
Phone:	Tel. +49(0)221 / 883 - 291	Approved by:	
Fax:	Fax. +49(0)221 / 883 - 299	Design:	
E-mail:	E-mail: info@blasi.de	Material:	
Web:	WWW: www.blasi.de	Notes:	
		1. All visible components must be made of stainless steel.	
		2. Tempered safety glass 10 mm.	
		3. Tempered safety glass 10 mm.	

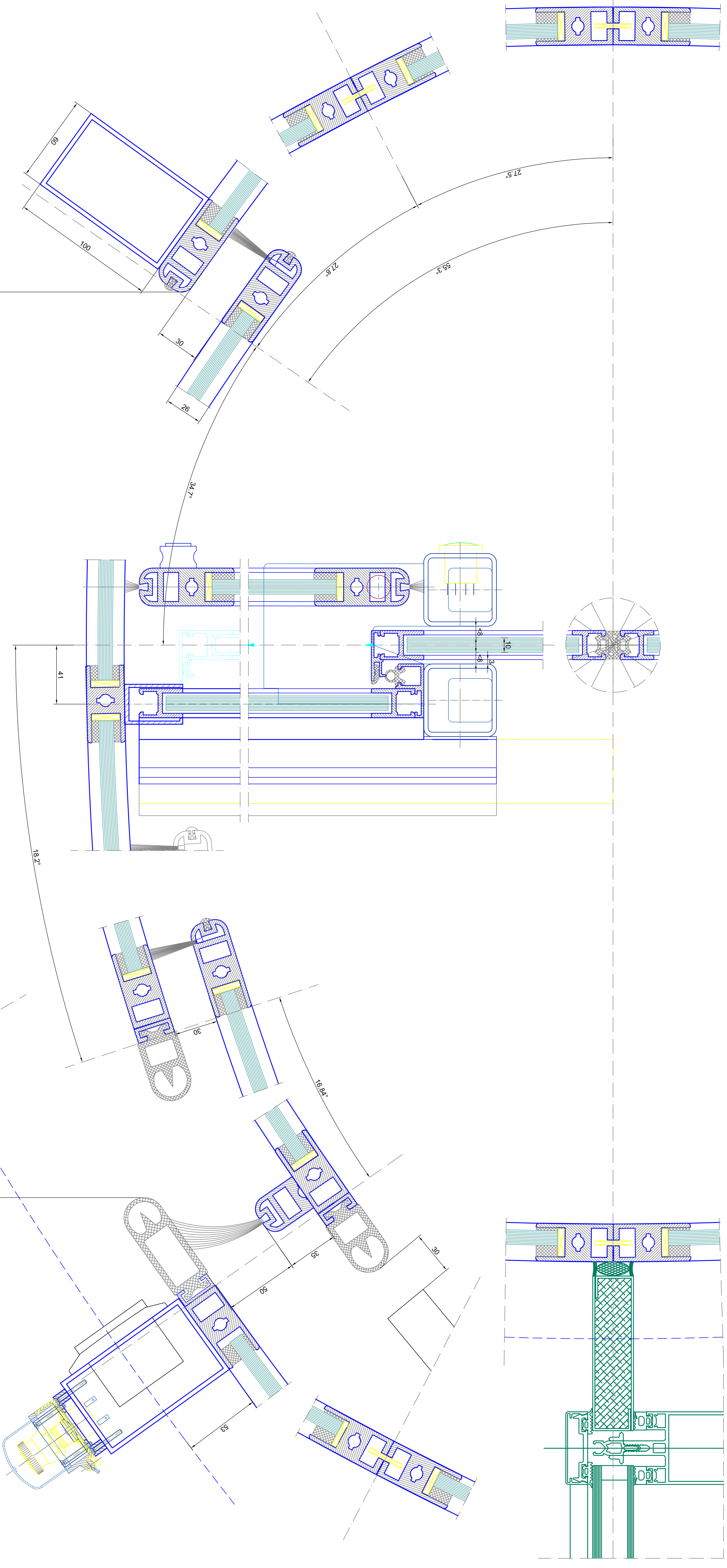




front elevation - outside

Scale:	A4 (10/16) 20/25	Scale:	A4 (10/16) 20/25
Sheet:	384.48	Project:	(DM 105/1)
Material:	tempered safety glass 10 mm	Material:	tempered safety glass 10 mm
Finish:		Finish:	
Color:		Color:	
Weight:		Weight:	
Volume:		Volume:	
Area:		Area:	
Perimeter:		Perimeter:	
Notes:		Notes:	
<p><b>BLASI</b>          B L A S I 0 m b H          Automatic Doors          Cef. Ser. Snek S-15          0 - 1 / 1 / 2 - Milano</p> <p>Tel. +39/02 / 863 - 291          Fax. +39/02 / 863 - 290          E-mail: info@blasio.it          WWW: blasio - itno</p>			
<p>Scale: A4 = A1 1:10</p> <p>Type: <b>K21-SF-38</b></p> <p>Configuration No.: 0000000000</p>		<p>Scale: A4 = A1 1:10</p> <p>Type: <b>K21-SF-38</b></p> <p>Configuration No.: 0000000000</p>	
<p><b>SAMPLE DRAWING ONLY</b></p>			
Page:	03	Page:	04





passage width A = 2115

# horizontal section - details

Scale:	A4 (vertical) 1:1	Scale:	A4 = A1 1:1
Sheet:	384.48	Type:	K21-SF-38
Project:	tempered safety glass 10 mm	Project:	SAMPLE DRAWING ONLY
Client:	tempered safety glass 10 mm	Contract No.:	
Manufacturer:	tempered safety glass 10 mm	Order No.:	
Supplier:		Delivery No.:	
Material:		Accessories:	
Notes:		Remarks:	

1. All visible components must be made of stainless steel.  
 2. All visible components must be made of stainless steel.

**BLASI**  
 B L A S I G m b H  
 Automatic Doors  
 C/o: Peter Strubel  
 0 - 1 7 1 7 1 4 0 0 0 0  
 WWW: BLASI - IT/US

Tel: +49 822 / 883 - 291  
 Fax: +49 822 / 883 - 299  
 E-mail: info@blasi.de  
 WWW: BLASI - IT/US

Type: K21-SF-38  
 Project: SAMPLE DRAWING ONLY  
 Contract No.:  
 Order No.:  
 Delivery No.:  
 Accessories:

Scale: A4 = A1 1:1  
 Sheet: 384.48  
 Project: tempered safety glass 10 mm  
 Client: tempered safety glass 10 mm  
 Manufacturer: tempered safety glass 10 mm  
 Supplier:  
 Material:  
 Notes: