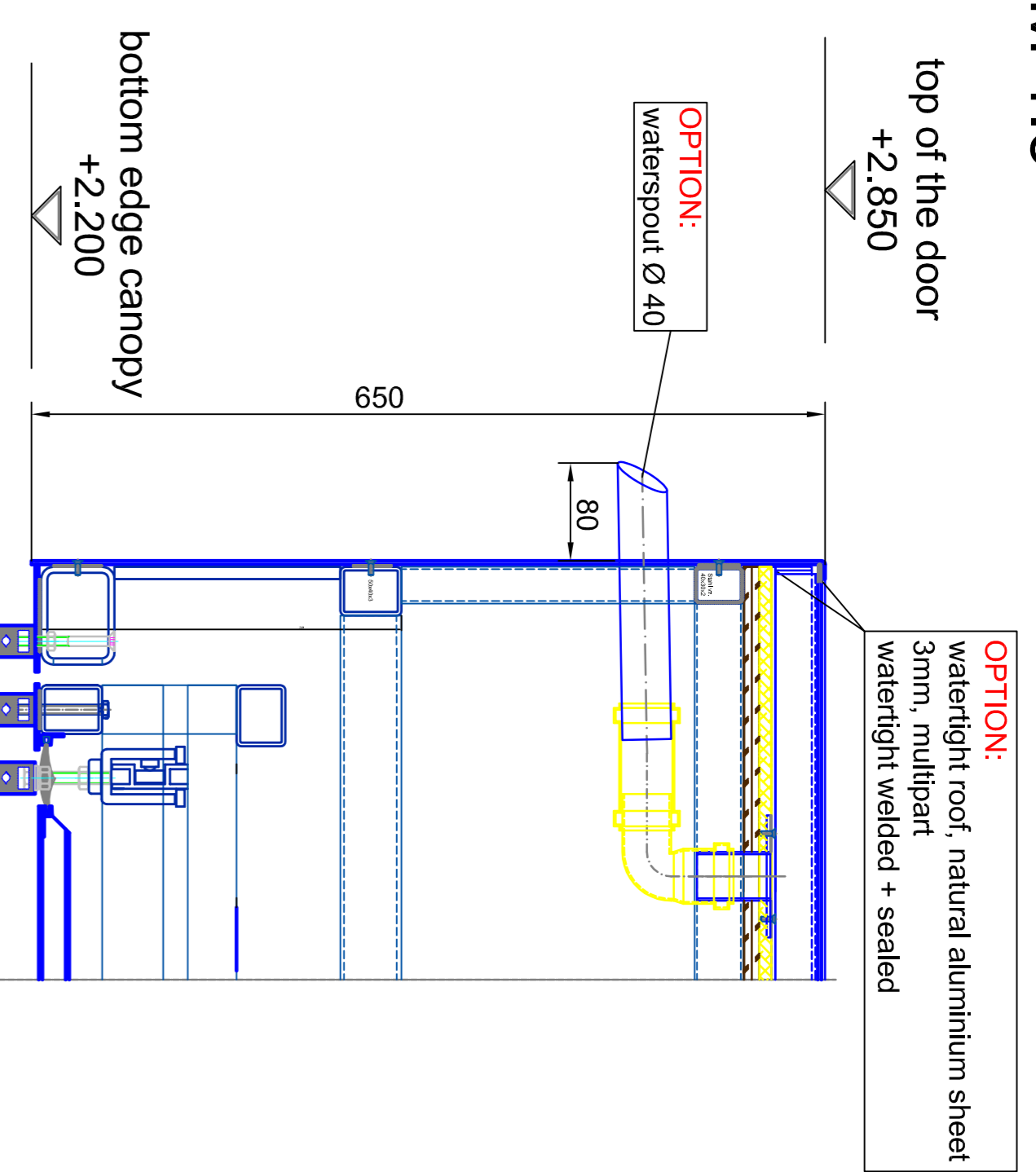
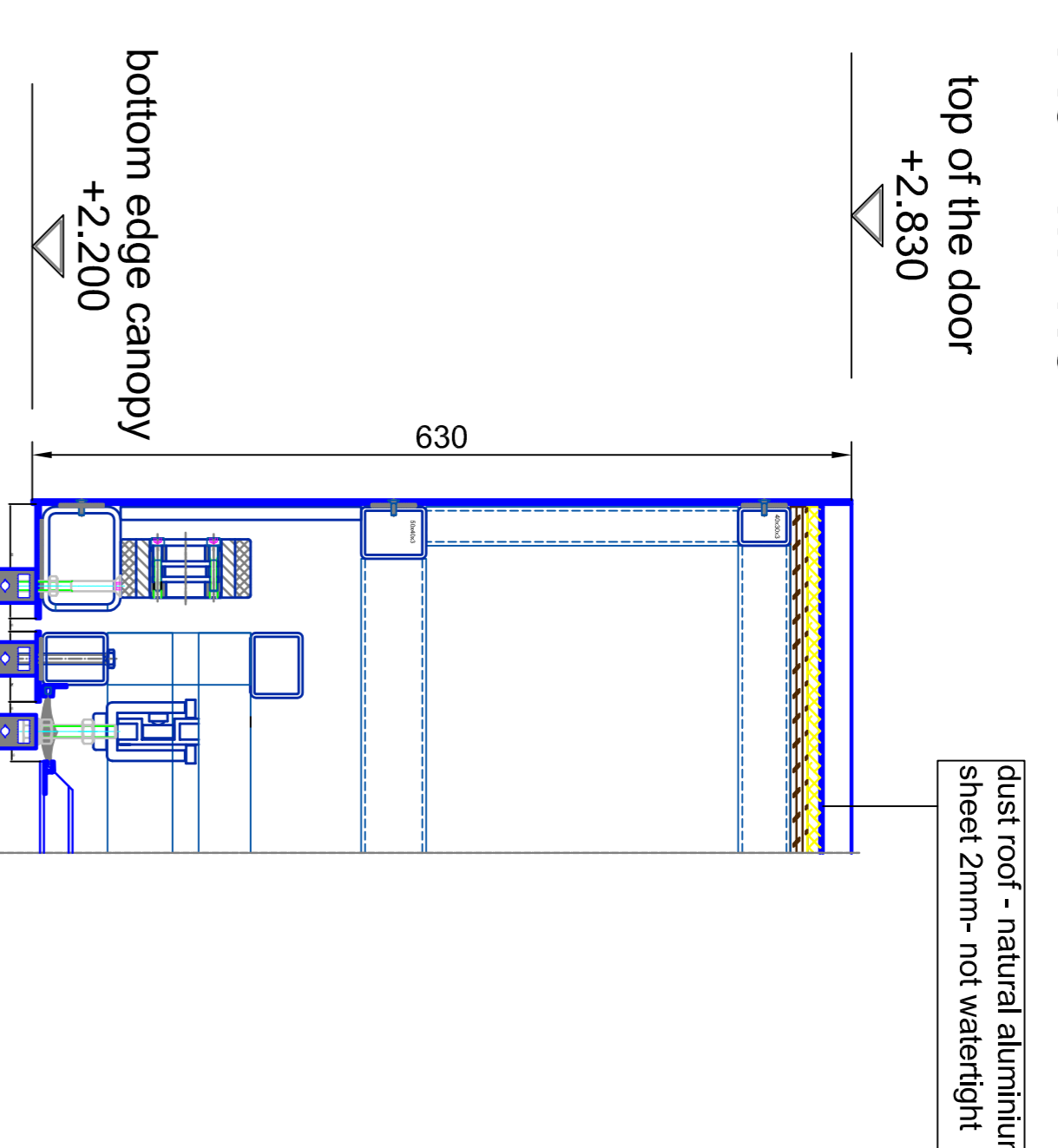


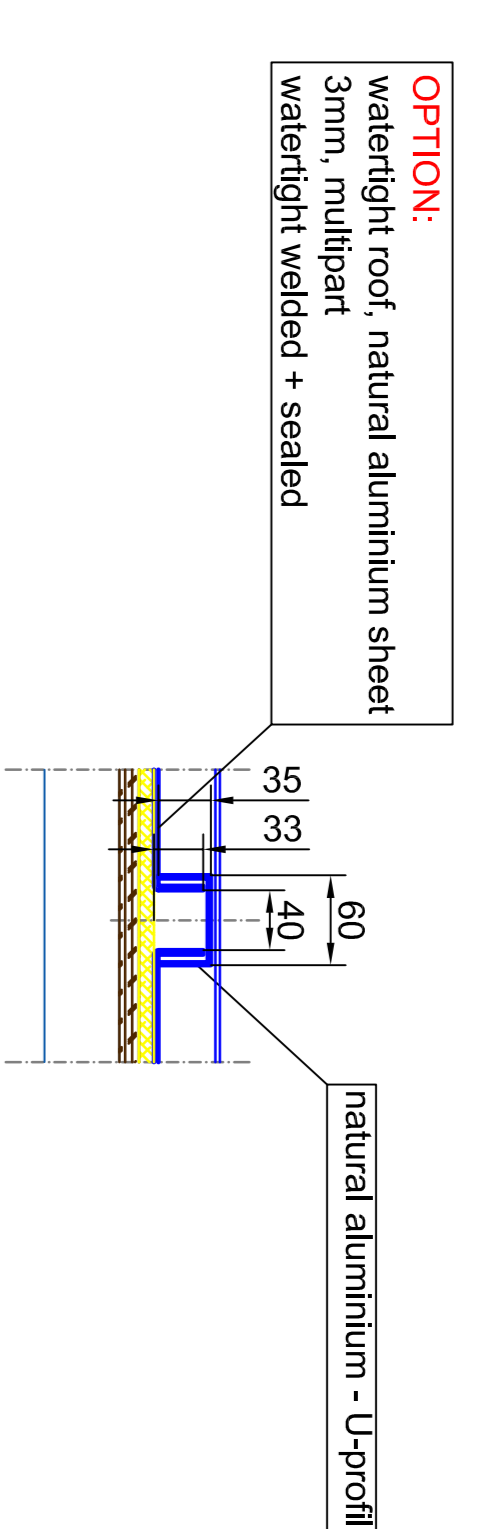
**vertical section - watertight roof / waterspout**  
A0 - M 1:5



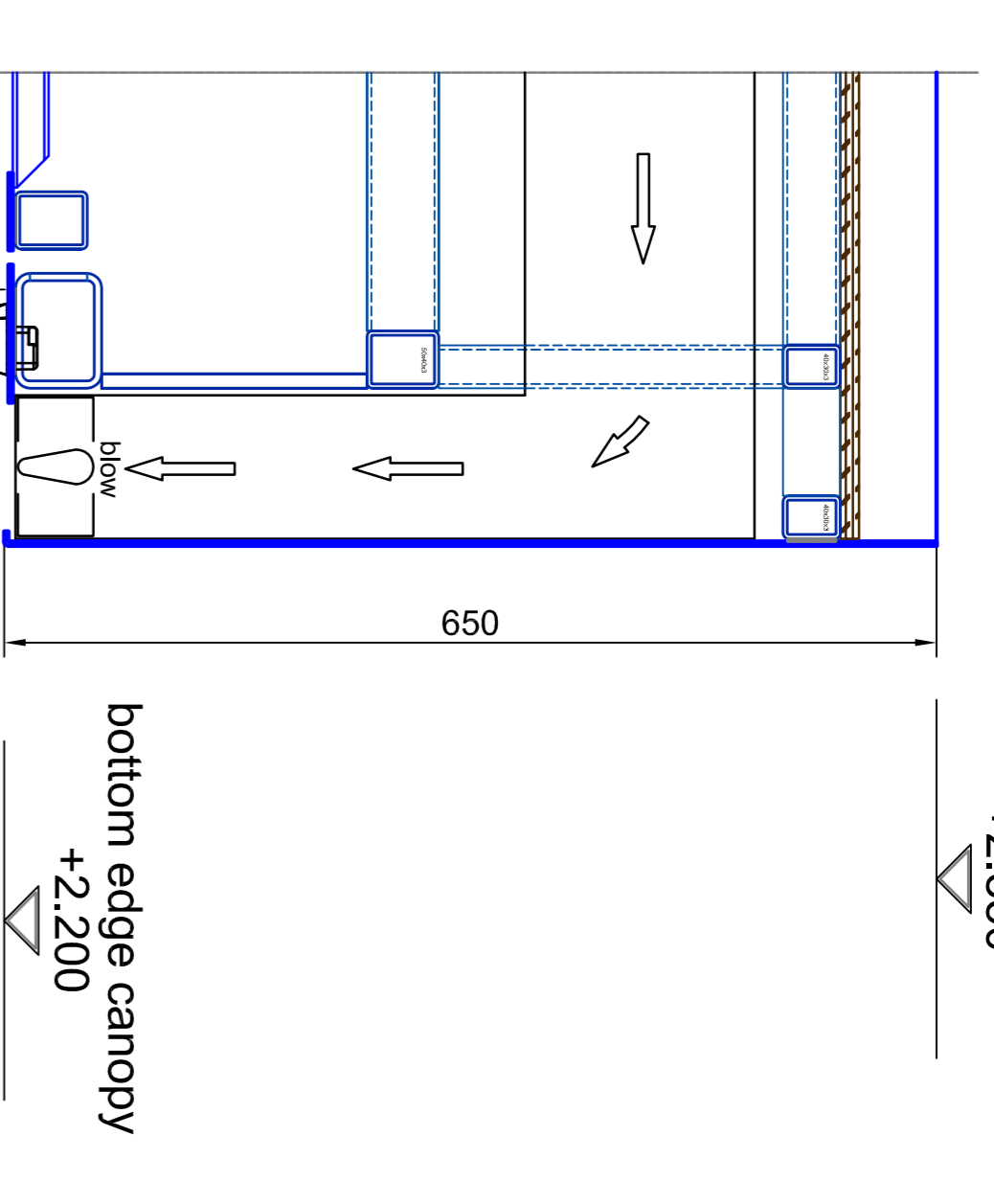
**vertical section - dust roof / outside**  
A0 - M 1:5



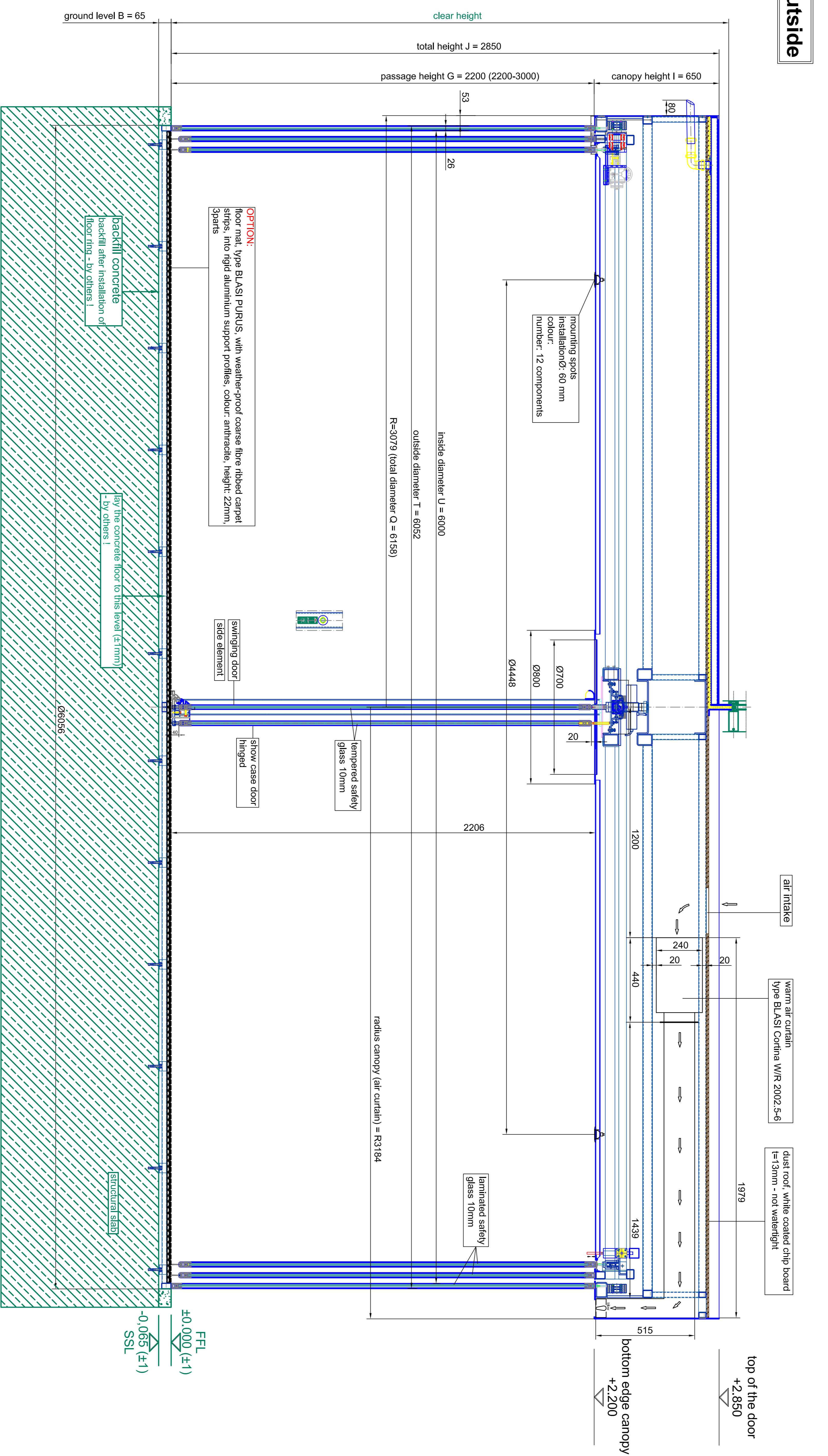
**vertical section - watertight roof - multipart**  
A0 - M 1:5



**vertical section - passage area / inside**  
A0 - M 1:5



**vertical section**



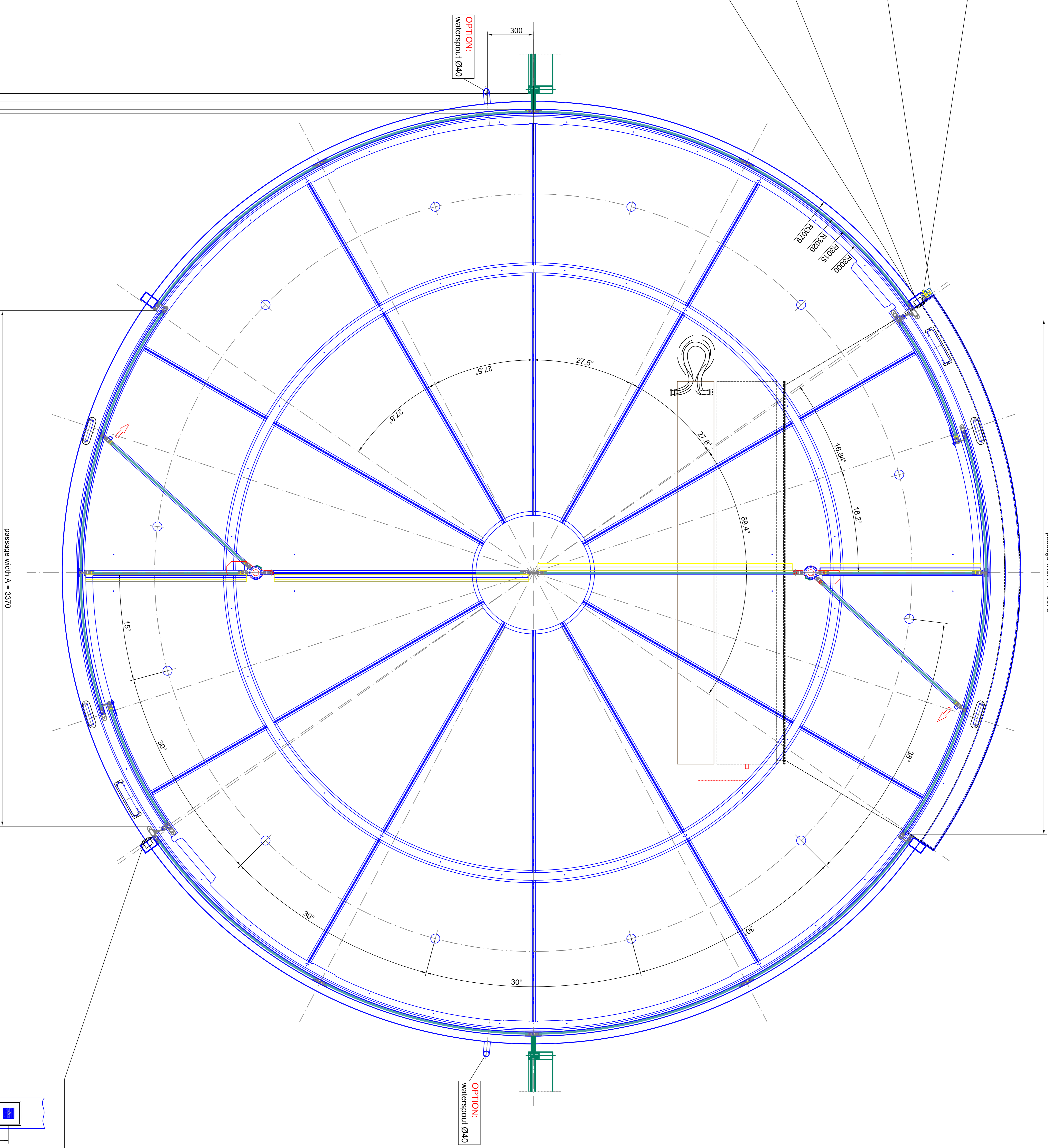
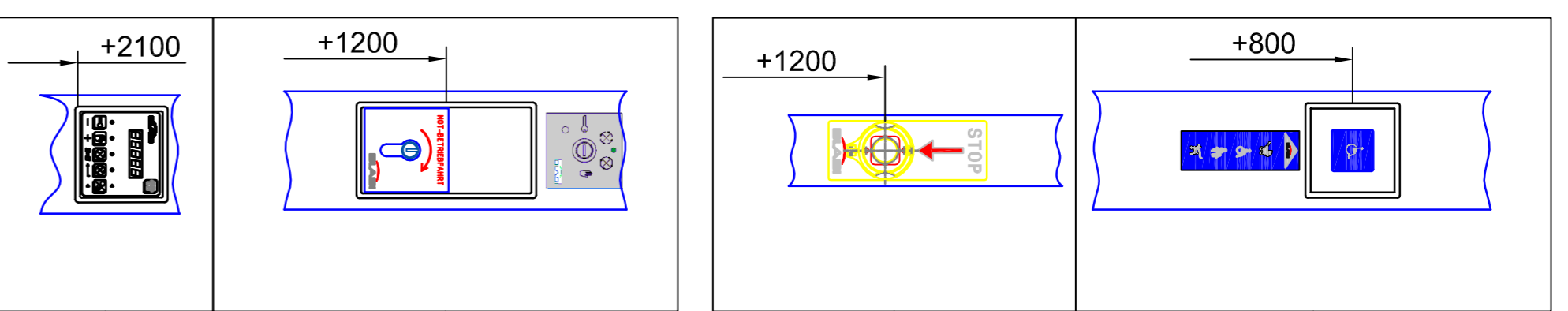
**outside**

**inside**

<p><b>BLASI</b> Automatic Doors S.p.A. Via S. Maria Maddalena, 10 37050 Sommacampagna (Verona) Italy Tel: +39 0475 822 883 - 891 Fax: +39 0475 822 885 - 288 E-mail: info@blasi.it www.blasi.it</p>		<p><b>BLASI</b> Automatic Doors S.p.A. Via S. Maria Maddalena, 10 37050 Sommacampagna (Verona) Italy Tel: +39 0475 822 883 - 891 Fax: +39 0475 822 885 - 288 E-mail: info@blasi.it www.blasi.it</p>	
<p>Scale: A0=1:10 Type: K21-DM-60 Configuration No.: 050</p>		<p>Scale: A0=1:10 Type: K21-DM-60 Configuration No.: 050</p>	
<p>Sheet: 01</p>		<p>Sheet: 01</p>	

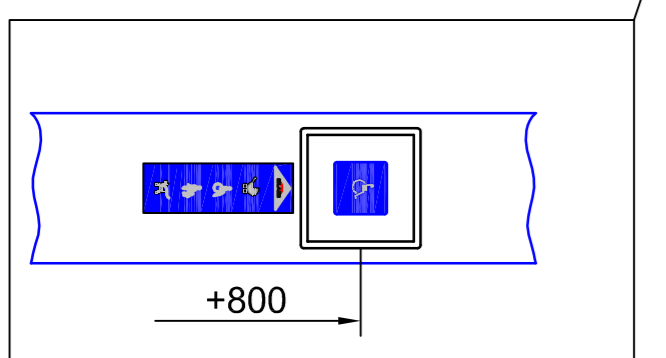
inside

passage width A = 3370



outside

passage width A = 3370  
 inside diameter U = 6000  
 outside diameter (drum) T = 6052  
 total diameter Q = 6158  
 clean width

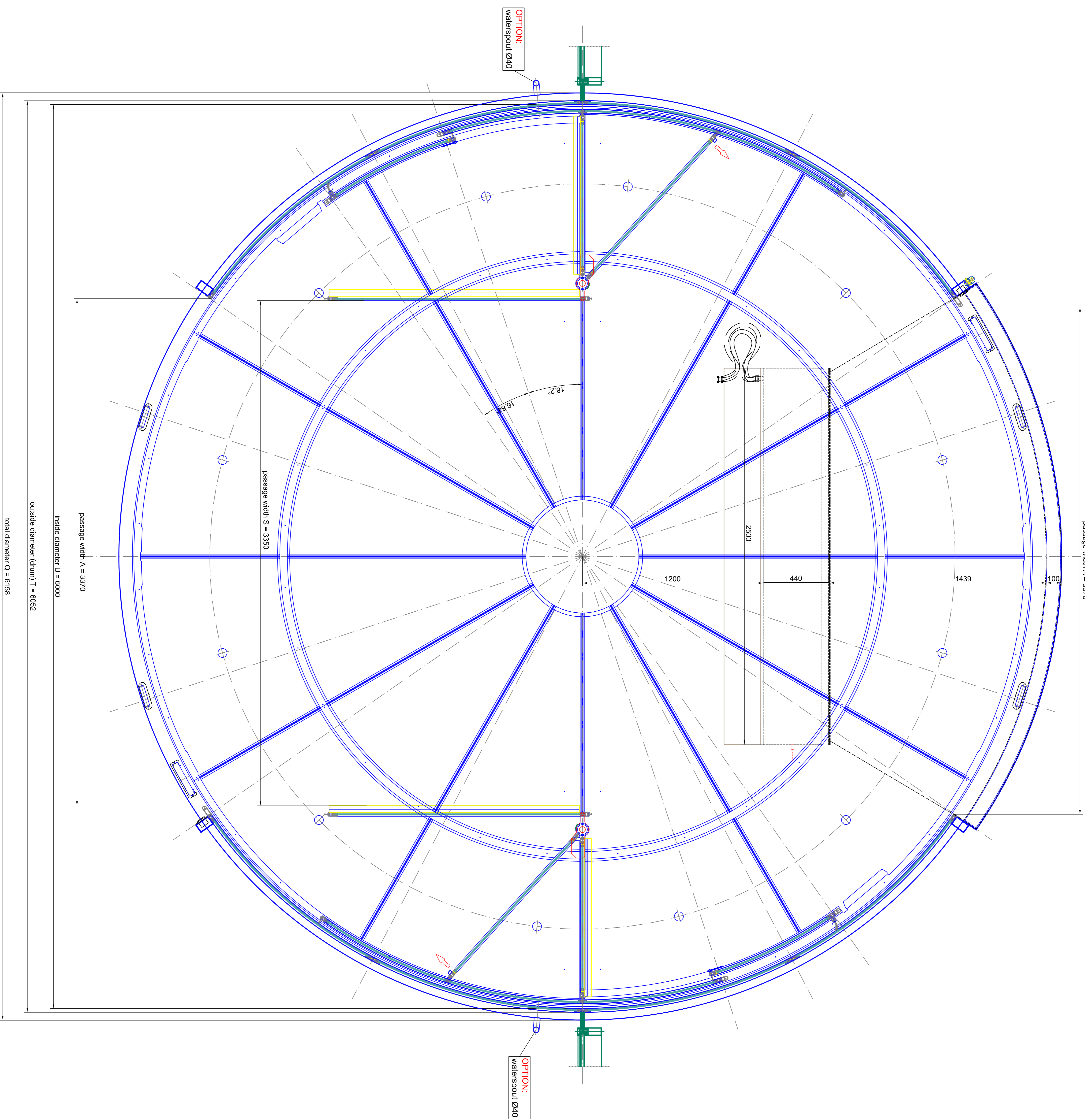


horizontal section - door in standard position

Scale: 1:10	Project: K21-DM-60	Sheet: 02
Author: AD	Designer: AD	Checker: AD
Client: BIASI	Contract: SAMPLE DRAWING - ONLY	Date: 05
B I A S I G m b H Automatic Doors Cef. Strada 5, 15 0 - 11172 - Bolzano Tel. +390472 / 863.291 Fax. +390472 / 863.299 E-mail: info@biasi.it WWW: biasi.it		
All rights reserved. All 2002 model components must be made to order. Temporal safety glass 10 mm Thermal safety glass 10 mm		

inside

passage width A = 3370



passage width A = 3370

passage width S = 3350

outside diameter (drum) T = 6052

total diameter Q = 6158

horizontal section - door in open door position

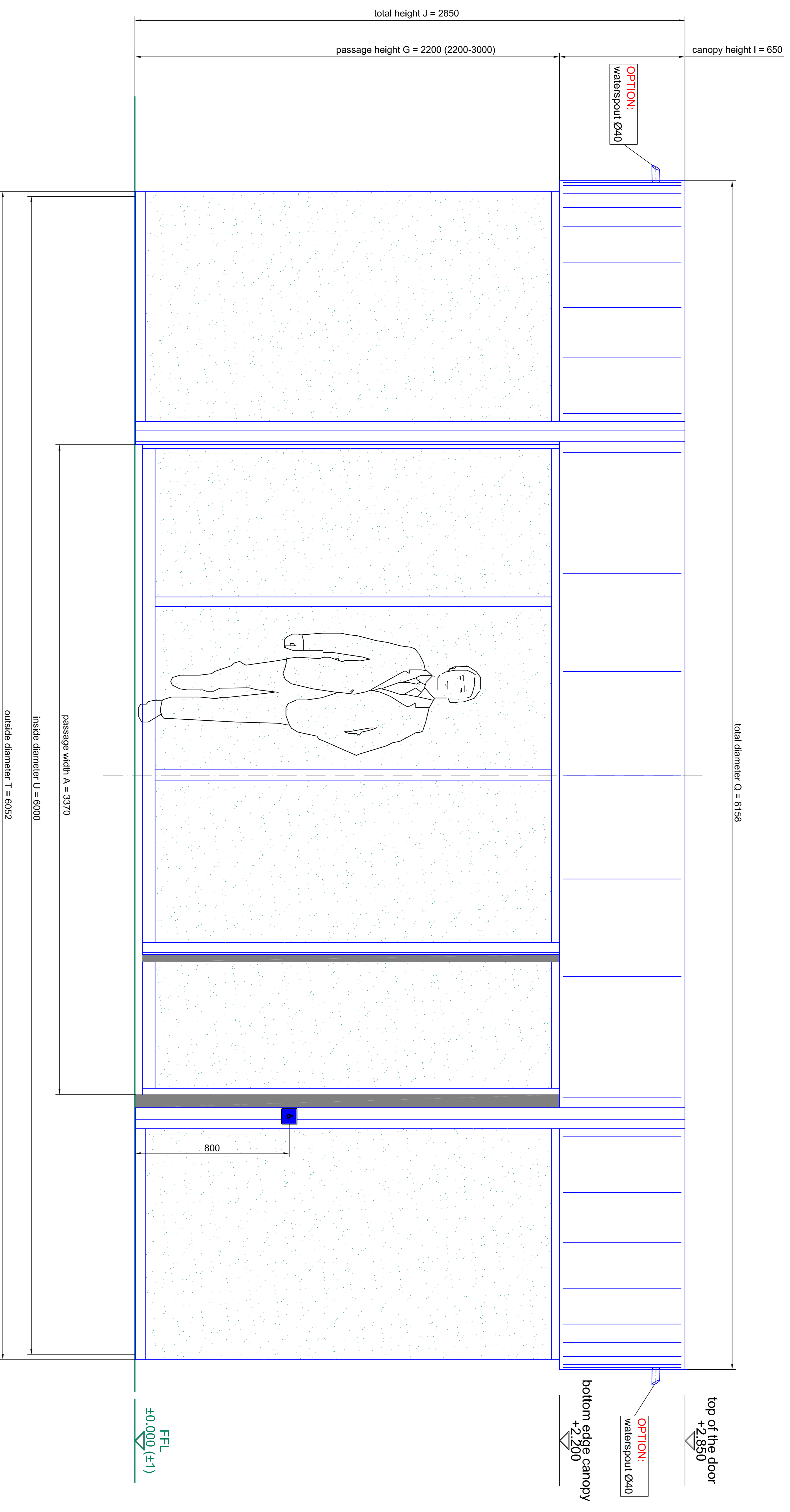
outside

Scale:	AD=1:10
Project:	K21-DM-60
Client:	SAMPLE DRAWING - ONLY
Sheet:	03
Page:	05

**BLASI**  
 B L A S I O m b H  
 Automatic Doors  
 Calcei, snc s.r.l.  
 0 - 1 1 7 1 7 1 6 6 6 6 6 6

Tel. +39 0322 / 863 . 291  
 Fax. +39 0322 / 863 . 296  
 Email: info@blasio.com  
 WWW: blasio.com

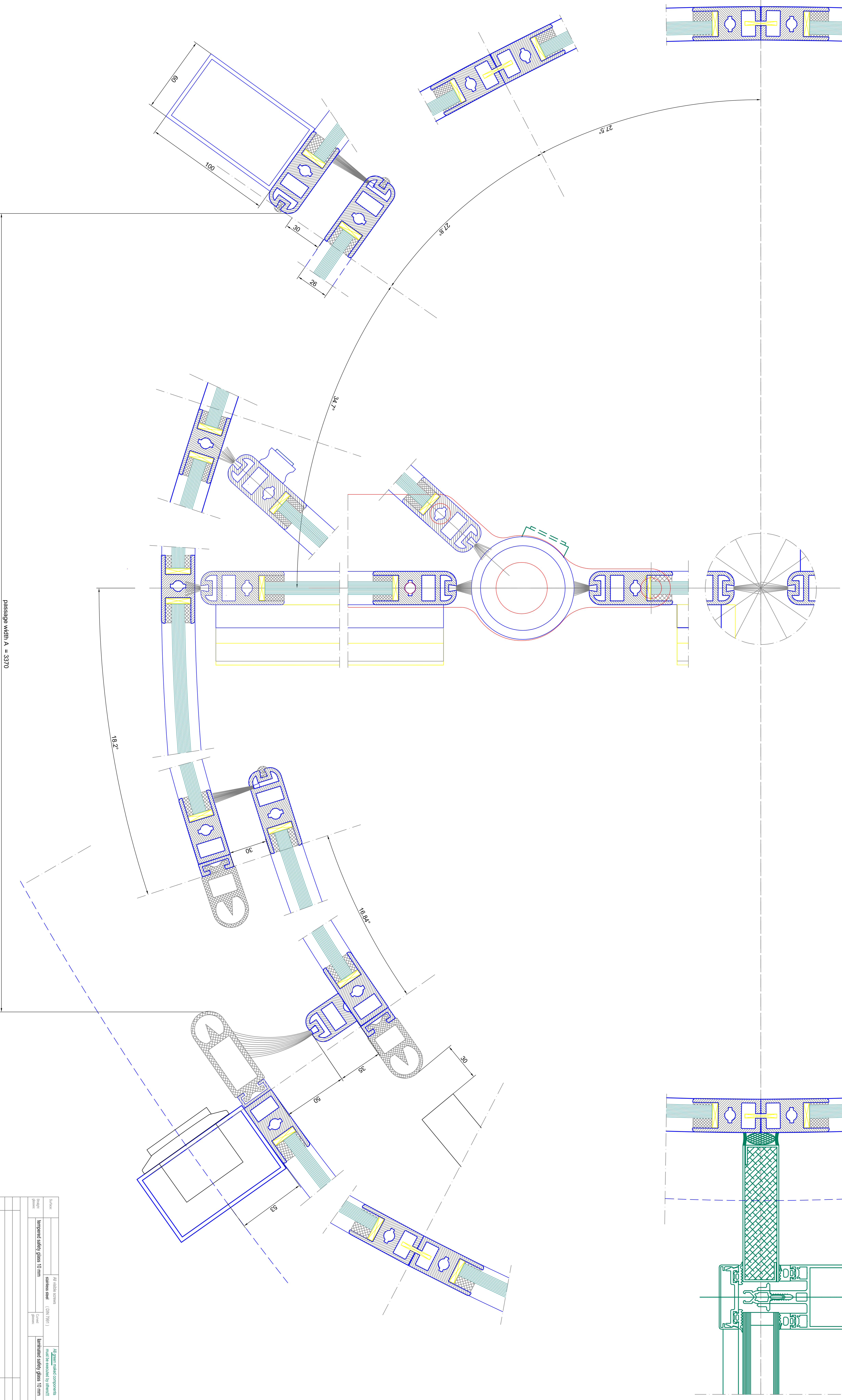
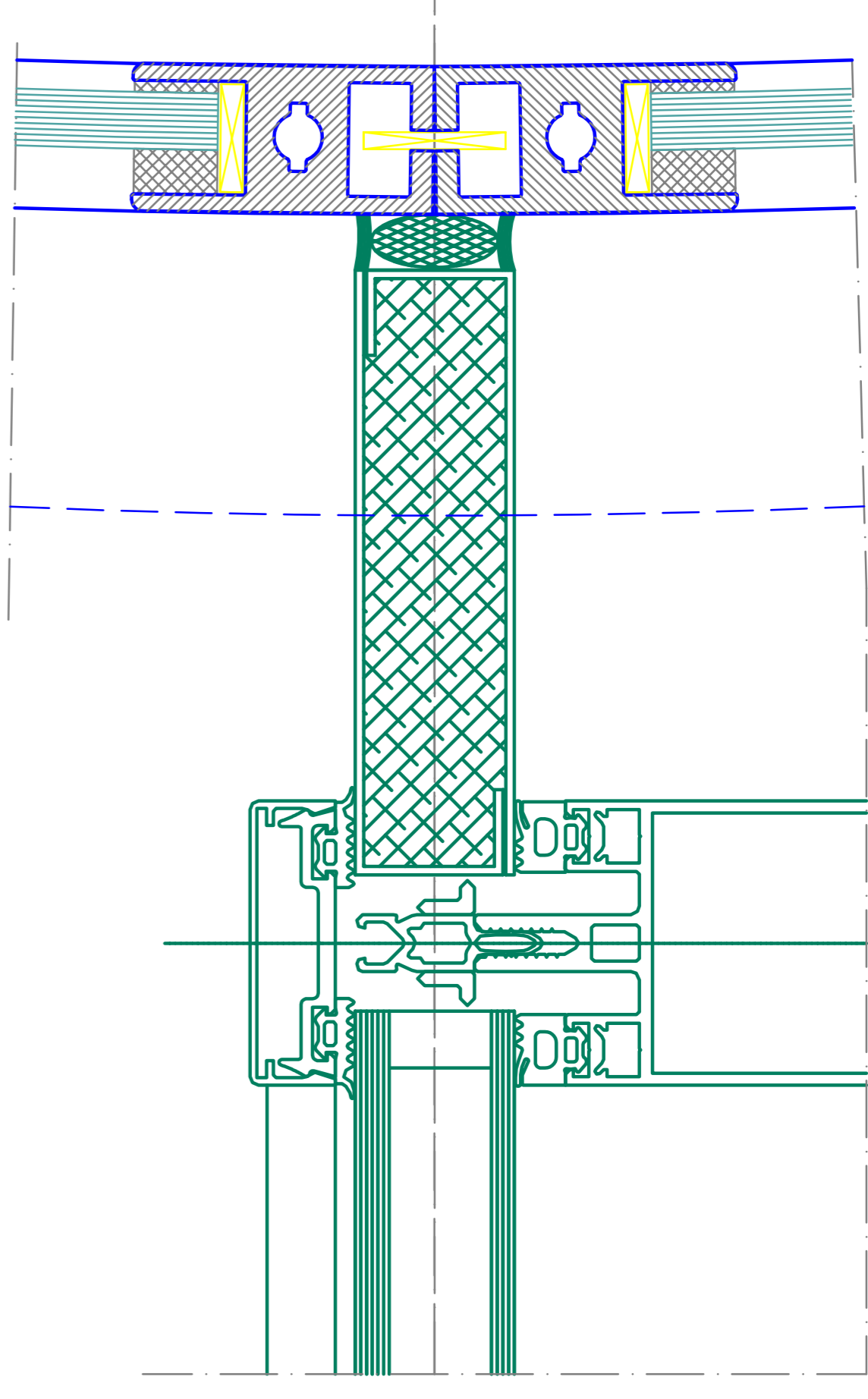
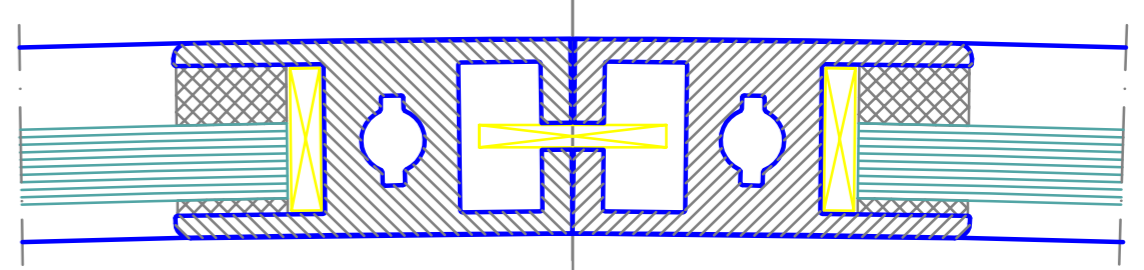
Scale: AD=1:10  
 Project: K21-DM-60  
 Client: SAMPLE DRAWING - ONLY  
 Sheet: 03  
 Page: 05



front elevation - outside

Scale:	AD=1:10	Confession No.:	
Project:	BLASI	Scale:	AD=1:10
Client:	BLASI	Project:	K21-DM-60
Contractor:	SAMPLE DRAWING ONLY	Contractor:	

BLASI  
 8 L A S I 6 m b H  
 Automatic Doors  
 Call: +39 02 861 11 11  
 Fax: +39 02 861 11 12  
 Email: info@blasi.it  
 WWW: blasi.it



**horizontal section - details**

Scale:	1:1 (visible components)	Material:	Aluminum
Sheet:	tempered safety glass 10 mm	Color:	black
Profile:	tempered safety glass 10 mm	Condition:	As shown
Material:	tempered safety glass 10 mm	Configuration:	As shown

**BLASI**  
BLASI G m b H  
Automatic Doors  
Carl-Seele-Str. 15  
D-71712 Waiblingen  
Tel. +49(0)7142 883-291  
Fax. +49(0)7142 883-299  
E-mail: info@blasi.de  
www.blasi.de

Scale: **1:1**  
Type: **K21-DM-60**  
Title: **SAMPLE DRAWING ONLY**

Page: **05**  
From: **05**