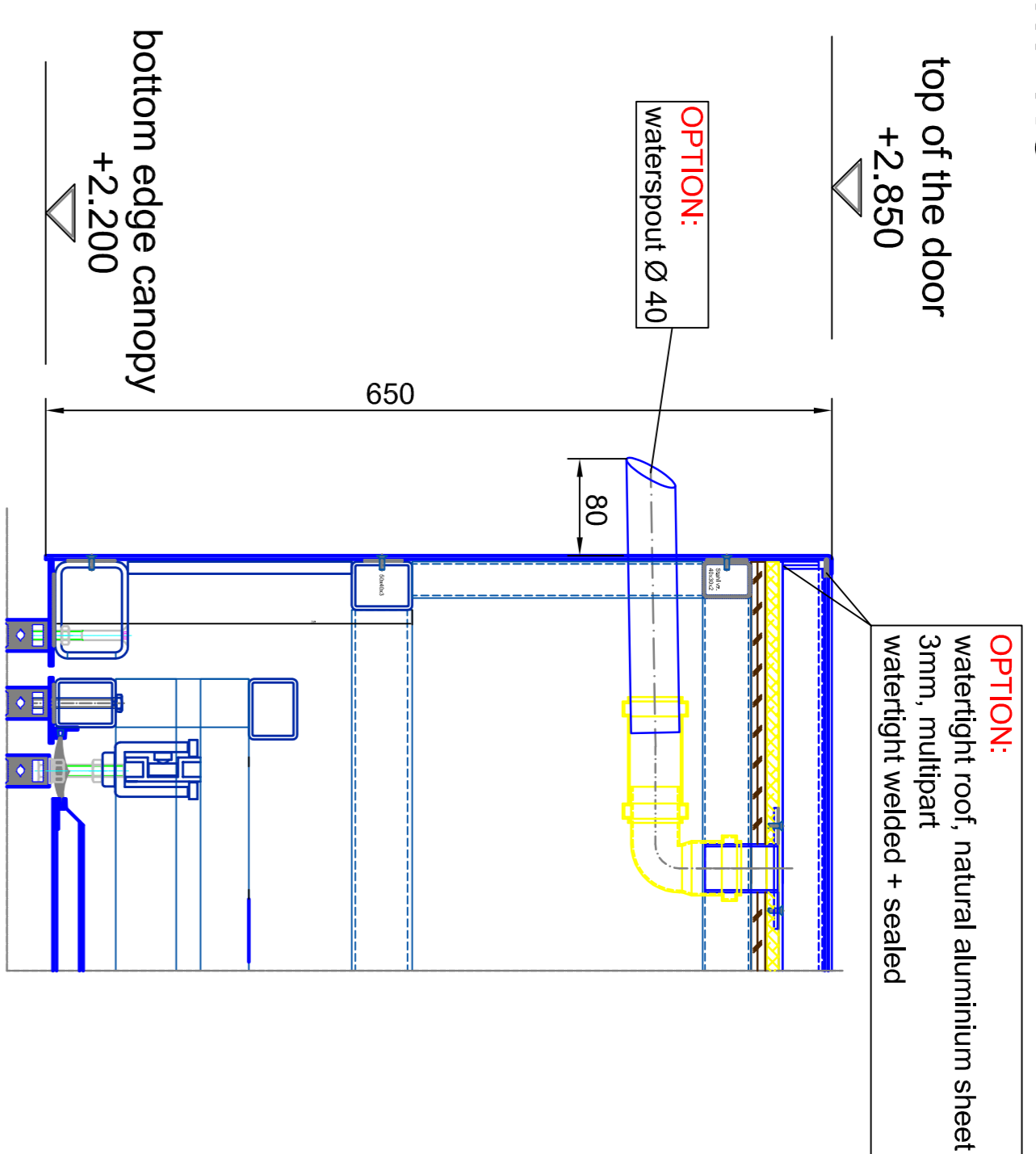
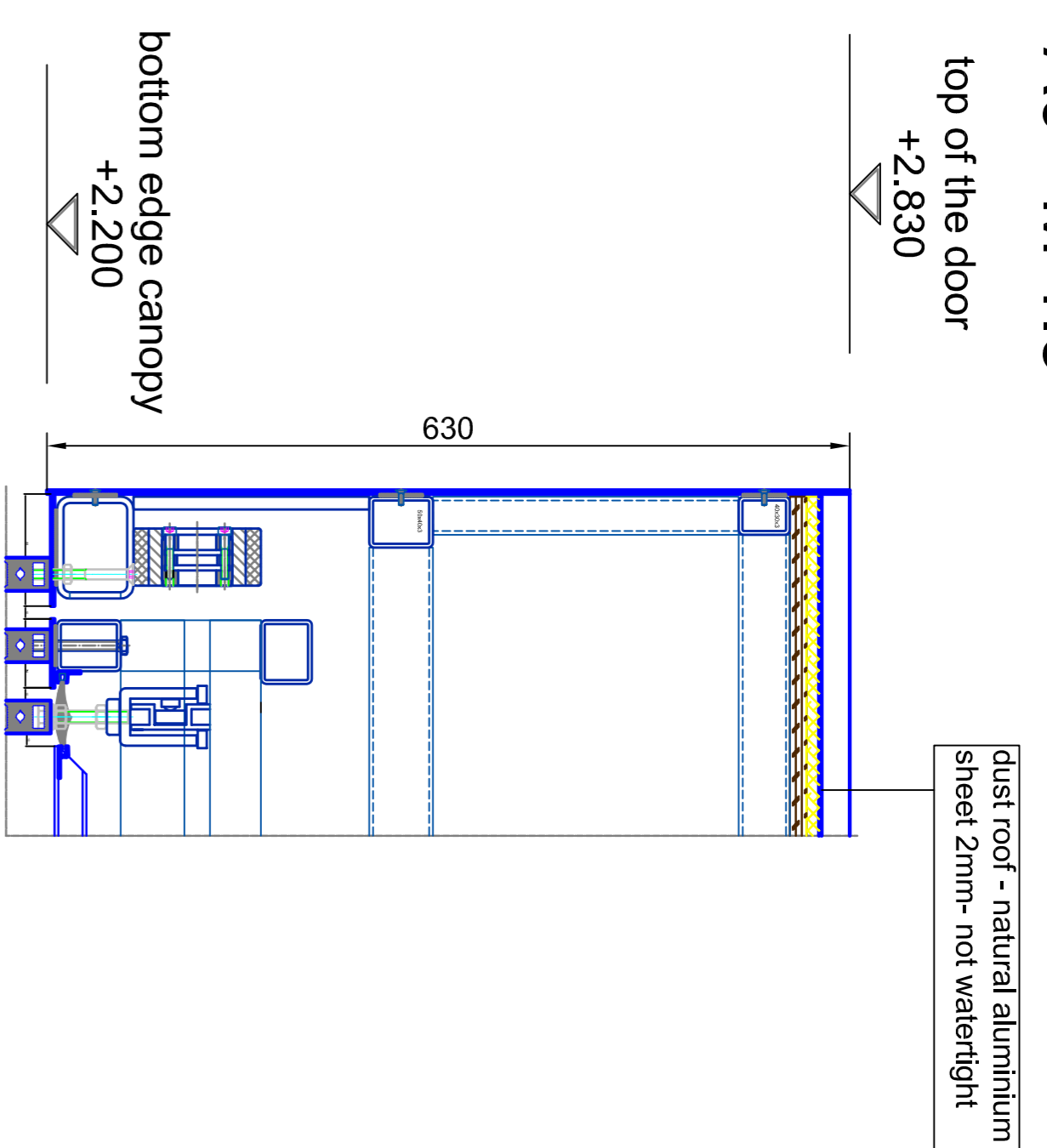


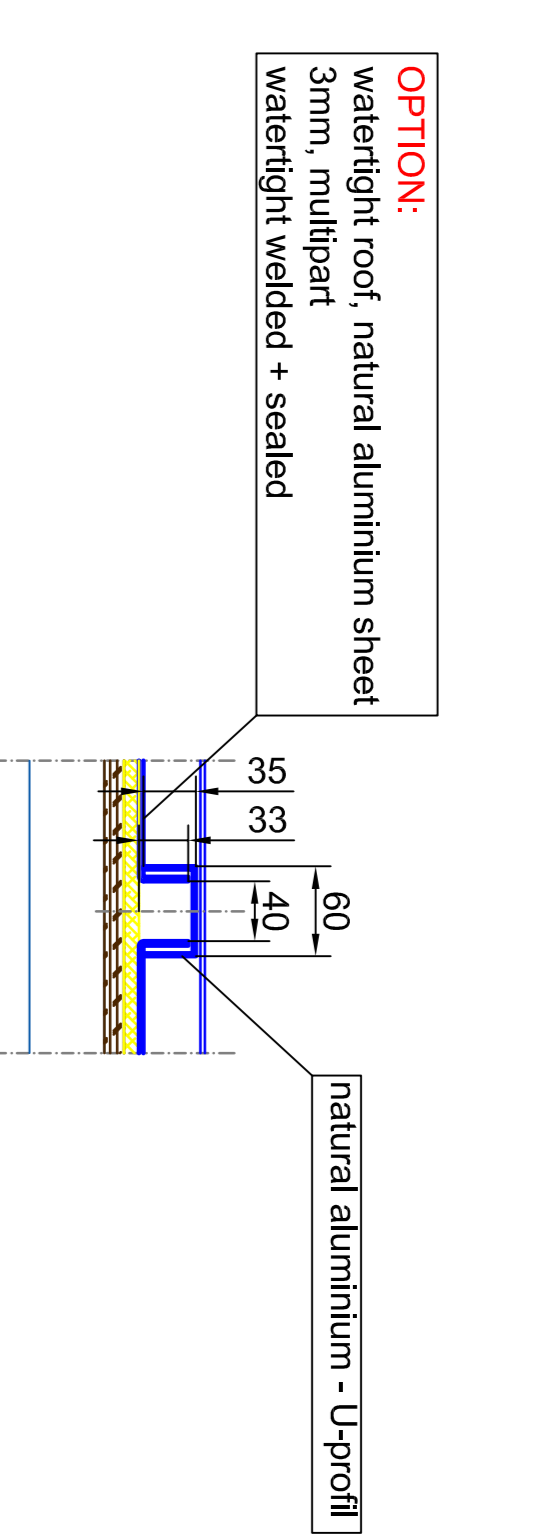
**vertical section - watertight roof / waterspout**  
A0 - M 1:5



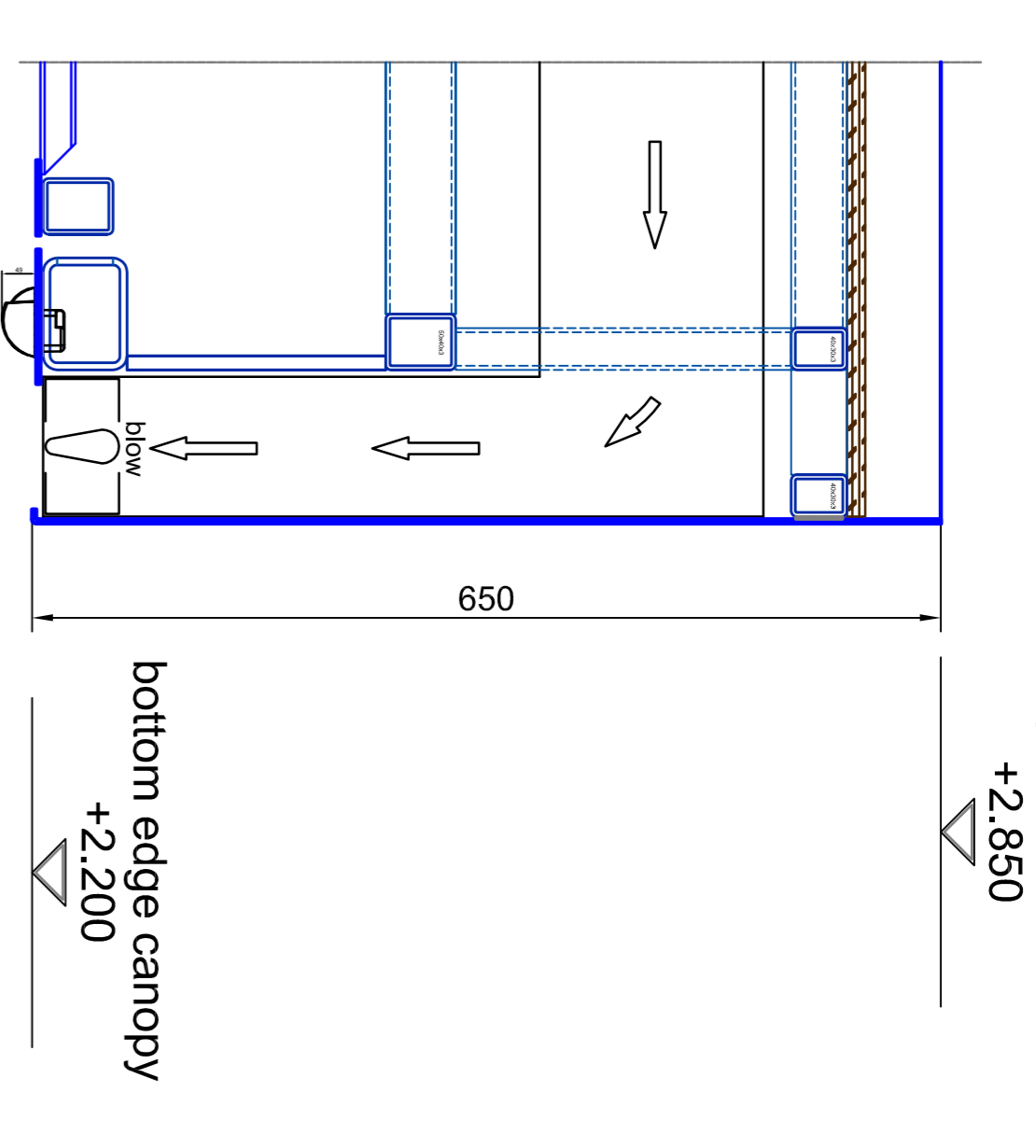
**vertical section - dust roof / outside**  
A0 - M 1:5



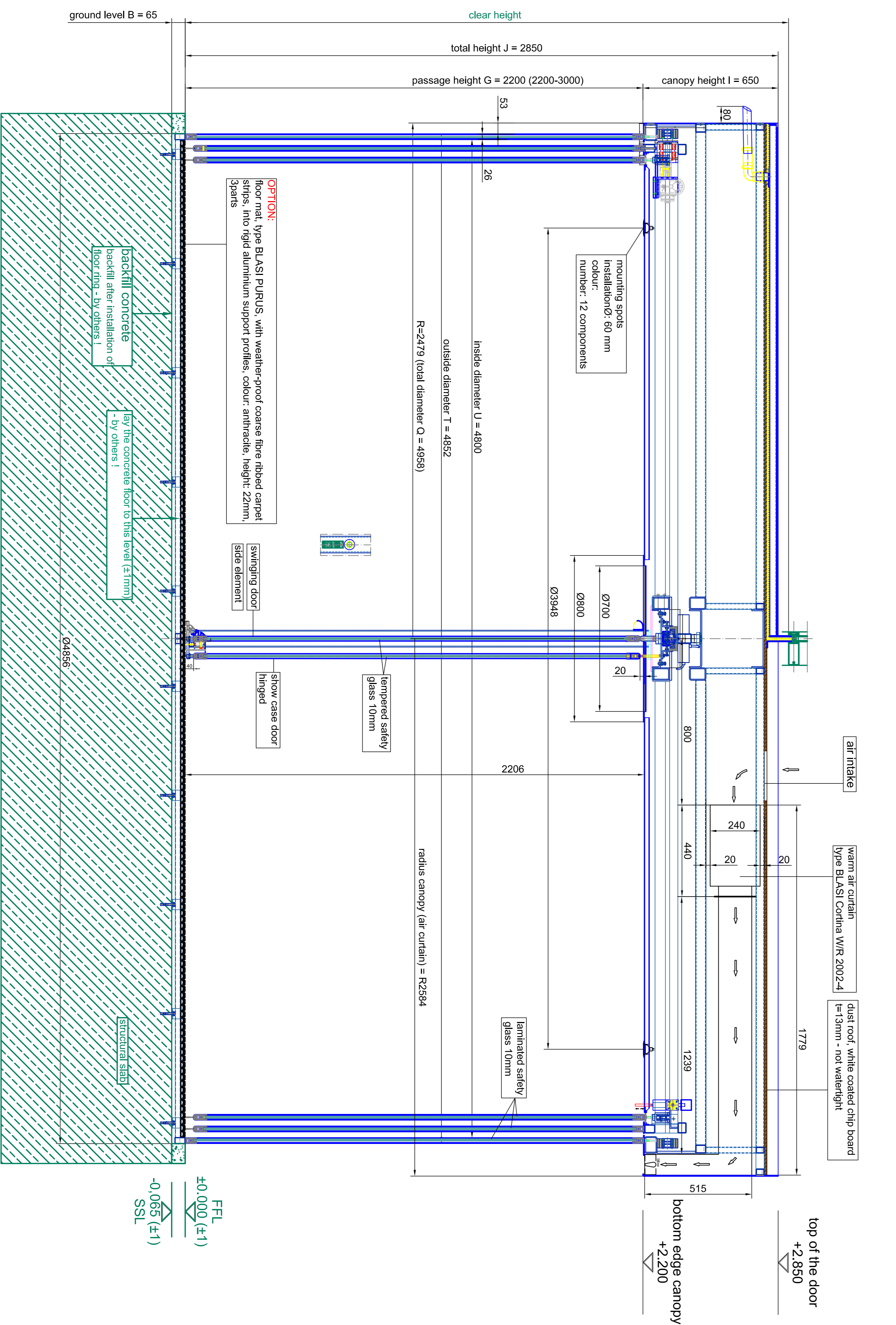
**vertical section - watertight roof - multipart**  
A0 - M 1:5



**vertical section - passage area / inside**  
A0 - M 1:5



**vertical section**



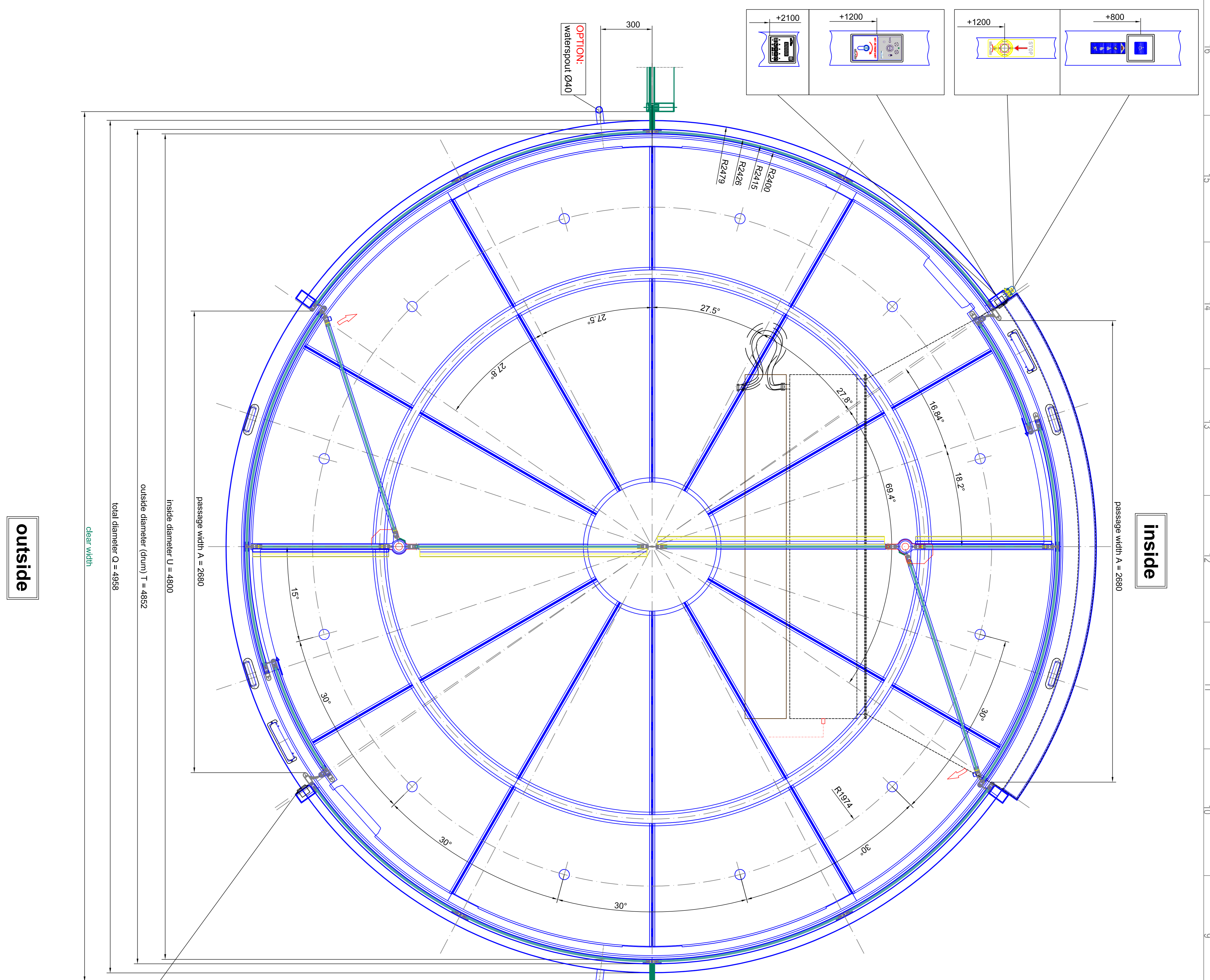
Scale	AD=1:10	Code	AD=1:10
tempered safety glass 10 mm			
laminated safety glass 10 mm			

**BLASI**  
B.L.A.S.I. G m b H  
Automatic Doors  
Celt. steel sheet s. 5  
0 - 1 / 7 / 2 - 008099

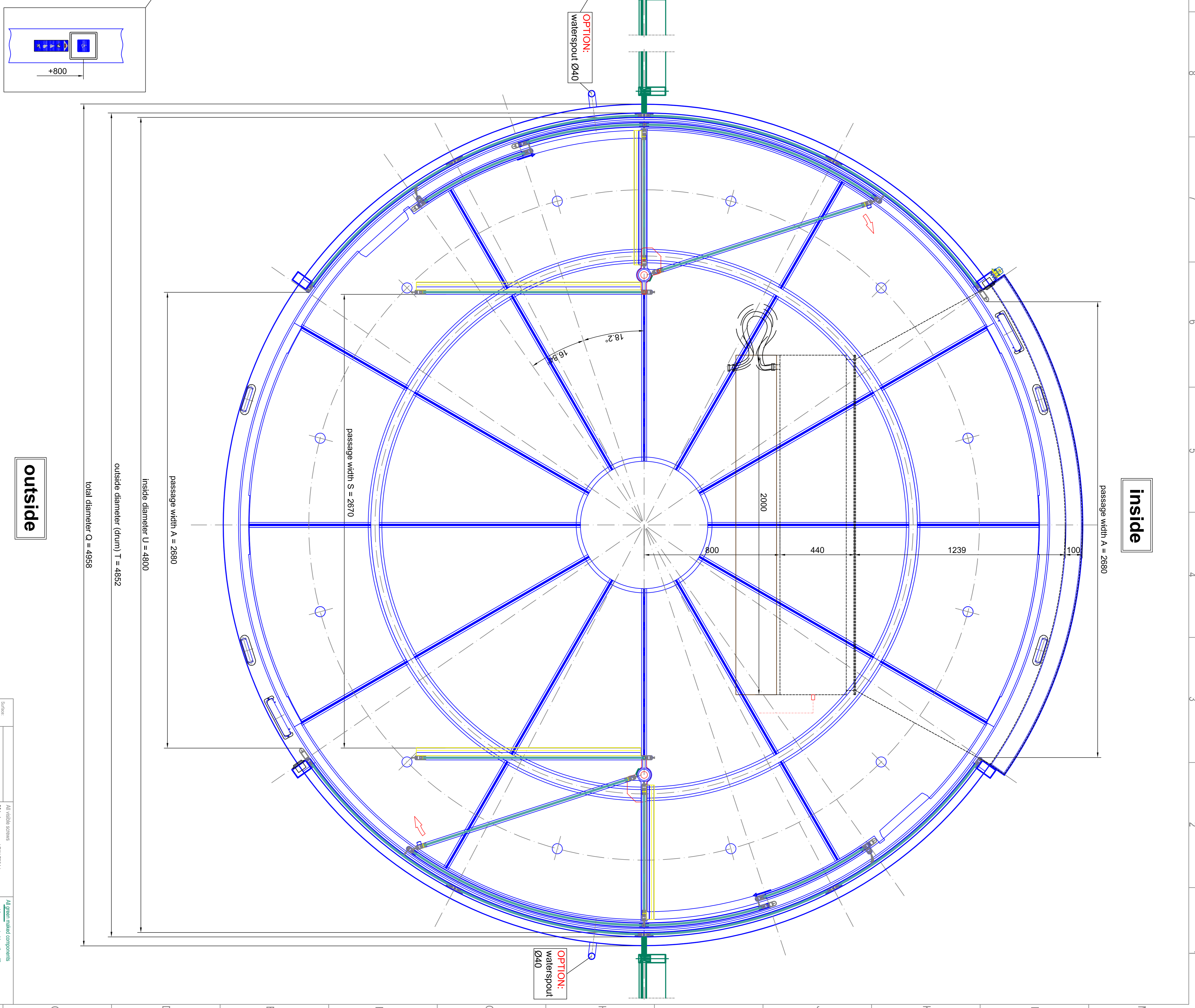
Tel. +49 8222 / 893 - 291  
Fax. +49 8222 / 893 - 299  
E-mail: info@blasi.de  
www. blasi.de - 1180

Scale: **AD=1:10**  
Type: **K21-DM/48**  
Drawing: **SAMPLE DRAWING ONLY**

Page: **01**  
From: **04**

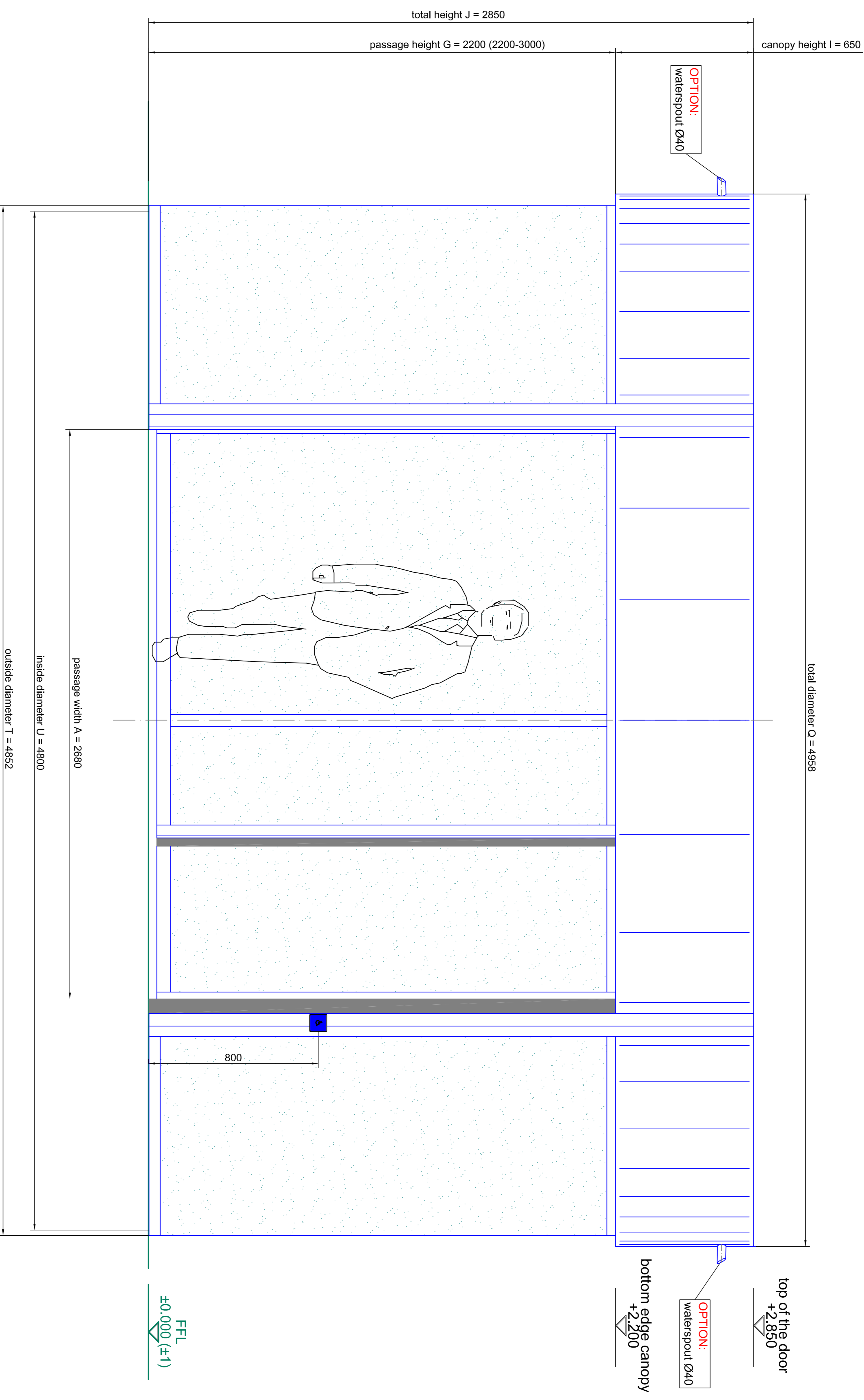


horizontal section - door in standard position



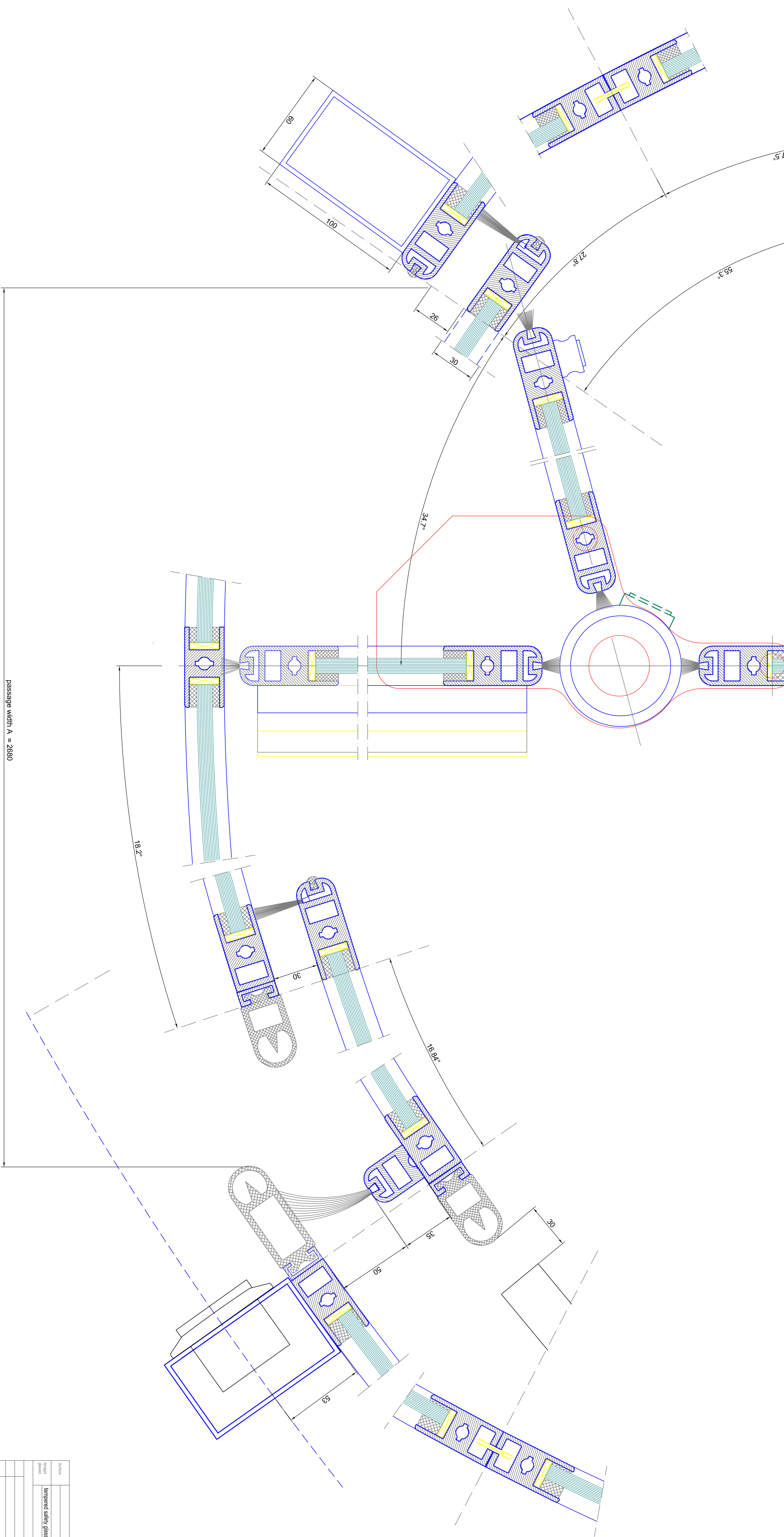
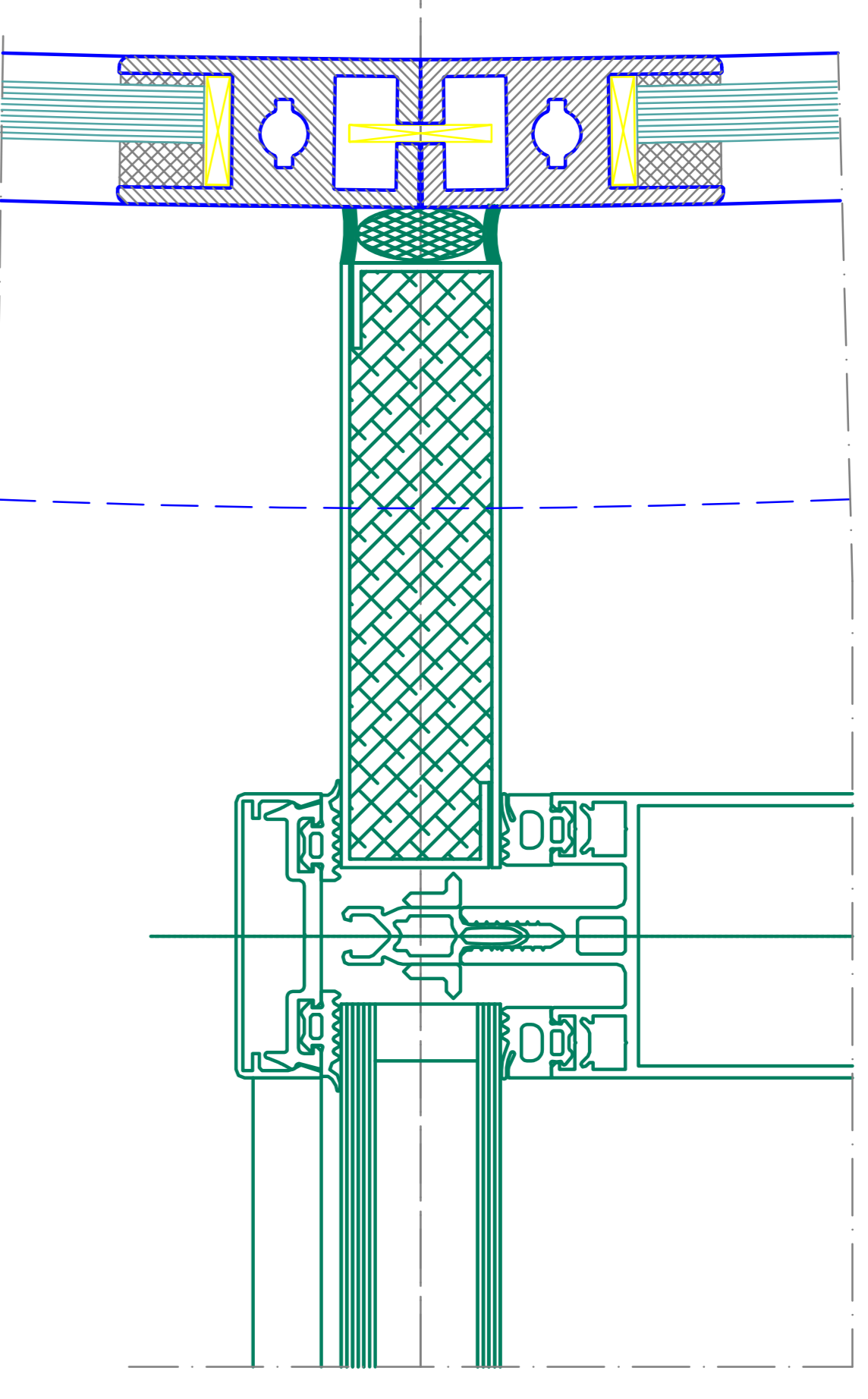
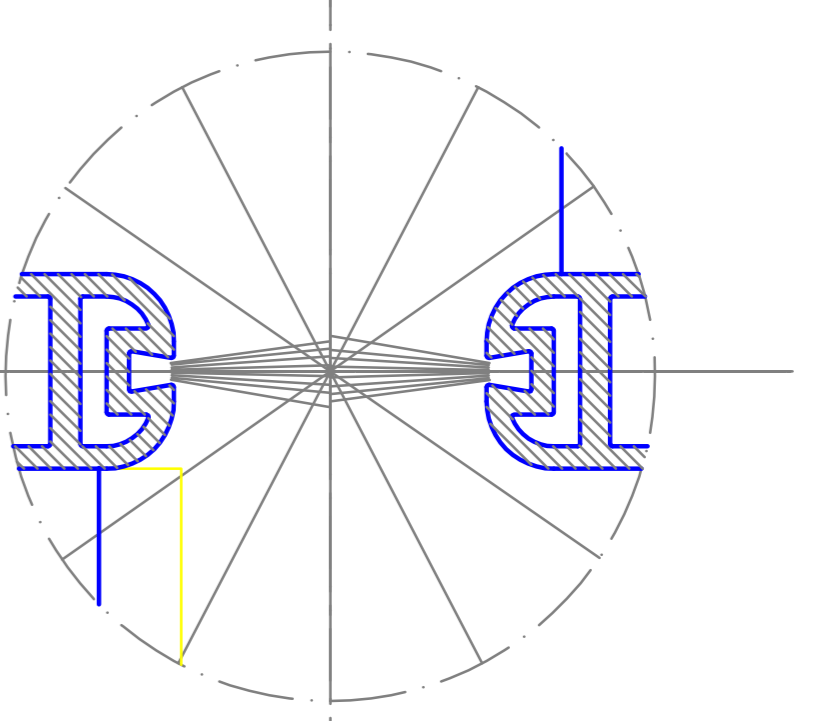
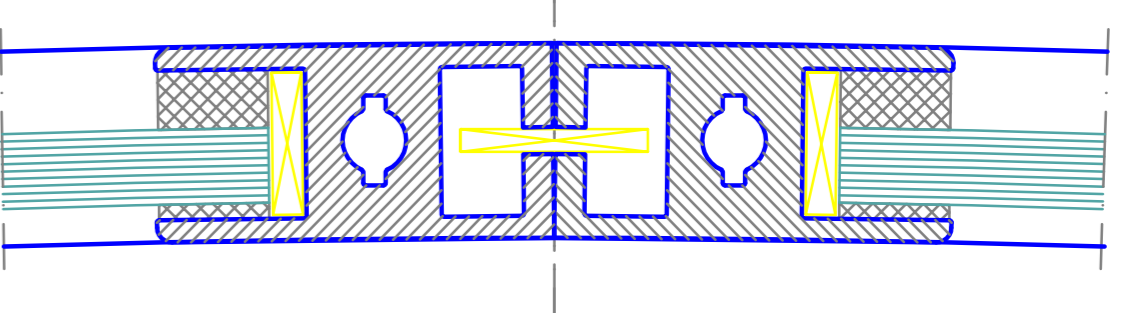
horizontal section - door in open door position

Scale:	Ad=1:10	Confirmação:	Scale:	Ad=1:10
Model:	K21-DV/48	Confirmação:	Model:	K21-DV/48
Project:	SAMPLE DRAWING ONLY	Confirmação:	Project:	SAMPLE DRAWING ONLY
Client:	BLASI	Confirmação:	Client:	BLASI
Address:	BLASI G m b H	Confirmação:	Address:	BLASI G m b H
City:	Automatic Doors	Confirmação:	City:	Automatic Doors
Country:	Col. Str. S. 15	Confirmação:	Country:	Col. Str. S. 15
Phone:	0 - 11 7 7 7 7 7 7 7	Confirmação:	Phone:	0 - 11 7 7 7 7 7 7 7
Fax:	+49 8323 / 863 - 291	Confirmação:	Fax:	+49 8323 / 863 - 291
E-mail:	prod@blasi.com	Confirmação:	E-mail:	prod@blasi.com
Web:	blasi.com	Confirmação:	Web:	blasi.com
Material:	tempered safety glass 10 mm	Confirmação:	Material:	tempered safety glass 10 mm
Accessories:	tempered safety glass 10 mm	Confirmação:	Accessories:	tempered safety glass 10 mm
Notes:	1. All visible components must be made of stainless steel.	Confirmação:	Notes:	1. All visible components must be made of stainless steel.
2. All 2000 series components must be made of stainless steel.	Confirmação:	2. All 2000 series components must be made of stainless steel.	Confirmação:	



**front elevation - outside**

<b>BLASI</b> 8 L x 1.6 m x H Automatic Doors Call: +39 02 861 51 51 WWW: BLASI.IT		Tel: +39 02 761 891 291 Fax: +39 02 761 891 299 Email: info@blasi.it WWW: BLASI.IT	
Scale: <b>A0=1:10</b> Type: <b>K21-DM-48</b> Project: <b>SAMPLE DRAWING ONLY</b> Drawing No.:	Scale: <b>A0=1:10</b> Type: <b>K21-DM-48</b> Project: <b>SAMPLE DRAWING ONLY</b> Drawing No.:	Sheet: <b>36x48</b> Content: <b>tempered safety glass 10 mm</b>	Sheet: <b>36x48</b> Content: <b>tempered safety glass 10 mm</b>
Date: <b>03</b> Version: <b>04</b>		Notes:	



passage width A = 2680

horizontal section - details

<b>BLASI</b>		Automatic Doors	
B L A S I O m b H		E-mail: prod@blasio.com	
Tel: +390322 / 885.291		Fax: +390322 / 885.299	
Via: ...		WWW: blasio.com	
Scale: <b>1:1</b>		Type: <b>K21-DM/48</b>	
Project: <b>...</b>		Drawing: <b>SAMPLE DRAWING ONLY</b>	
Client: <b>...</b>		Date: <b>...</b>	
Author: <b>...</b>		Check: <b>...</b>	
Date: <b>...</b>		Page: <b>04</b>	
Sheet: <b>...</b>		Total: <b>...</b>	
Material: <b>tempered safety glass 10 mm</b>		Material: <b>tempered safety glass 10 mm</b>	
Finish: <b>...</b>		Finish: <b>...</b>	