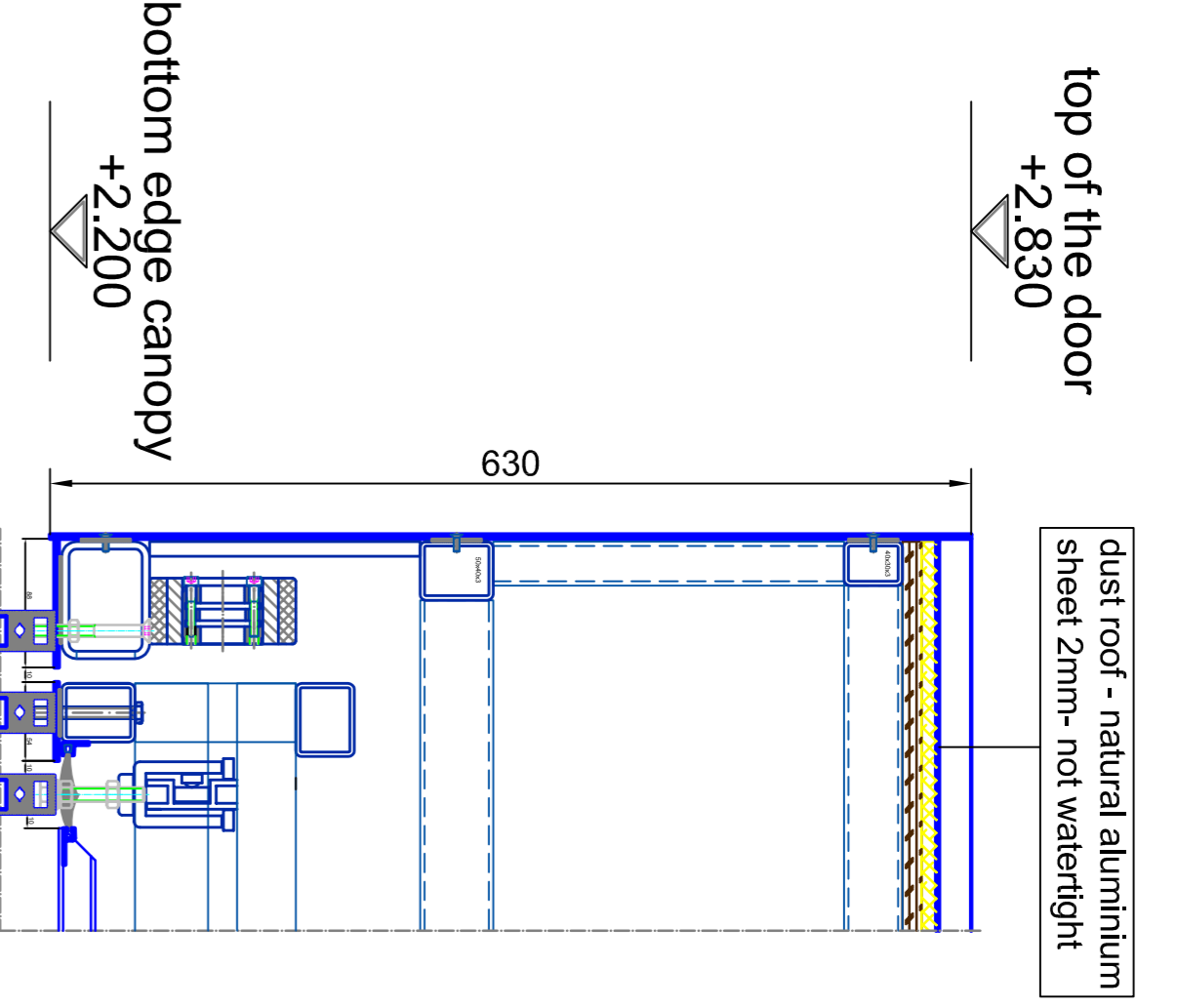
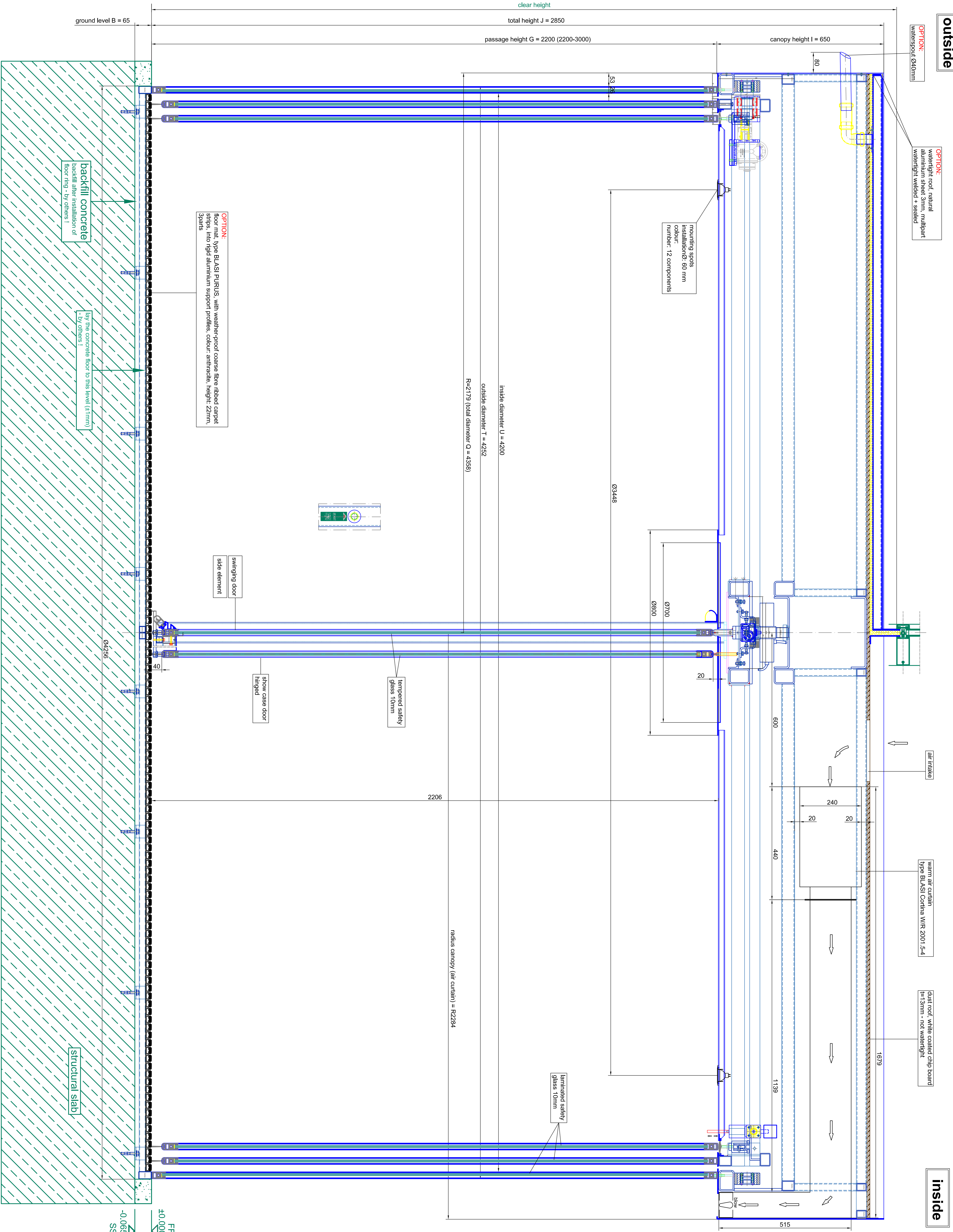


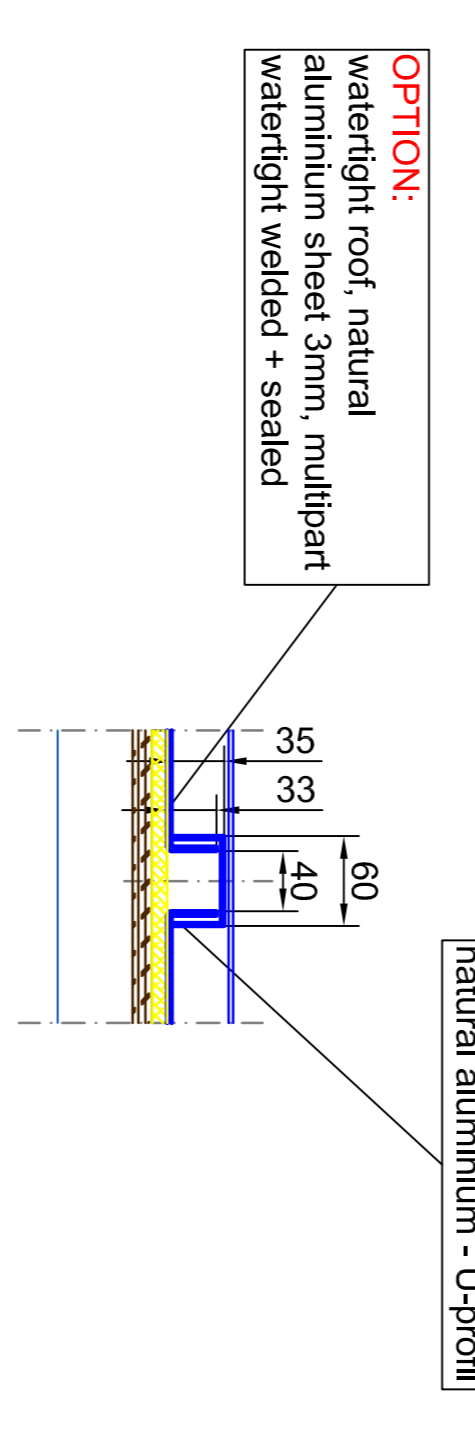
**vertical section -
dust roof / outside**



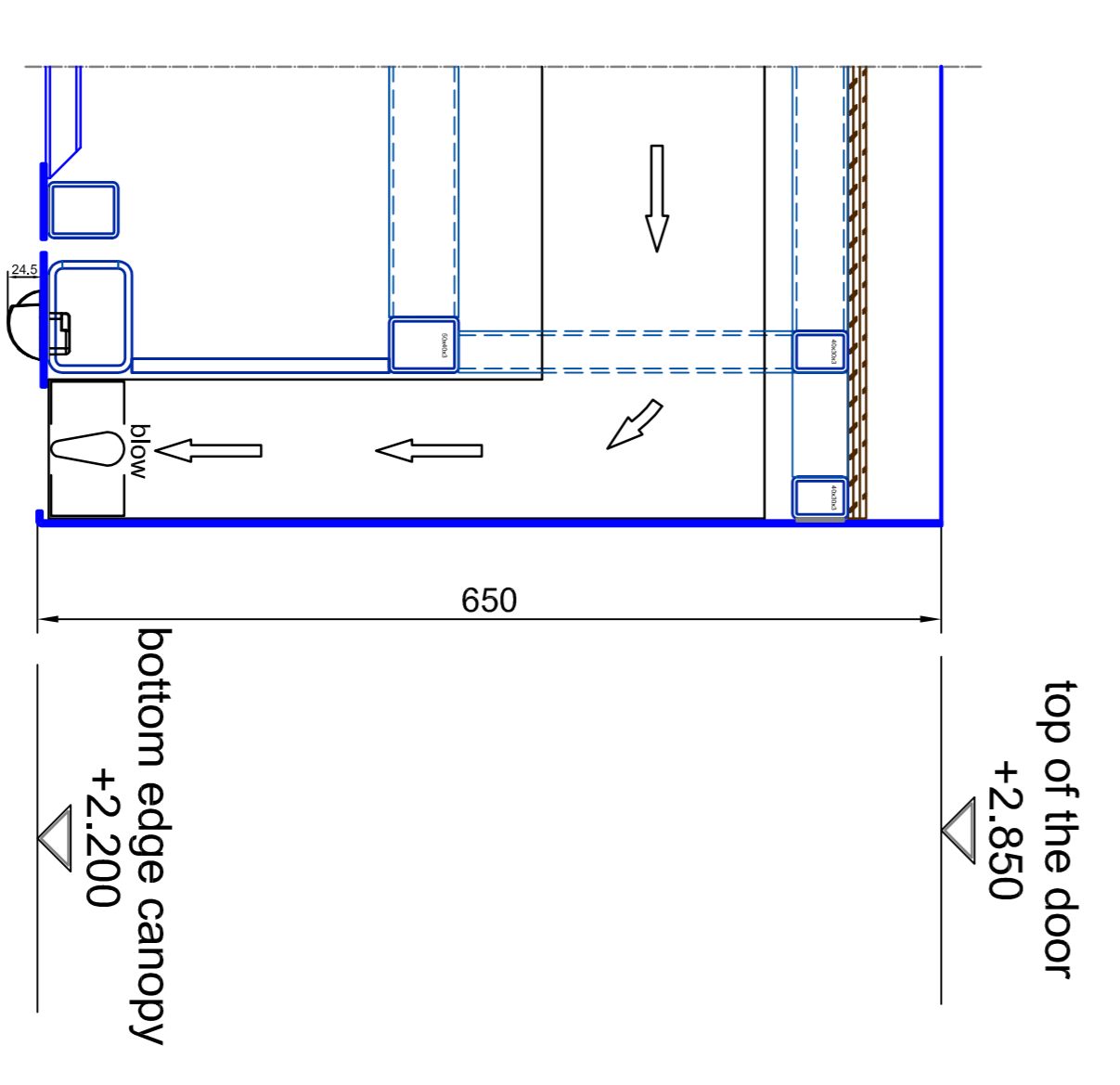
vertical section



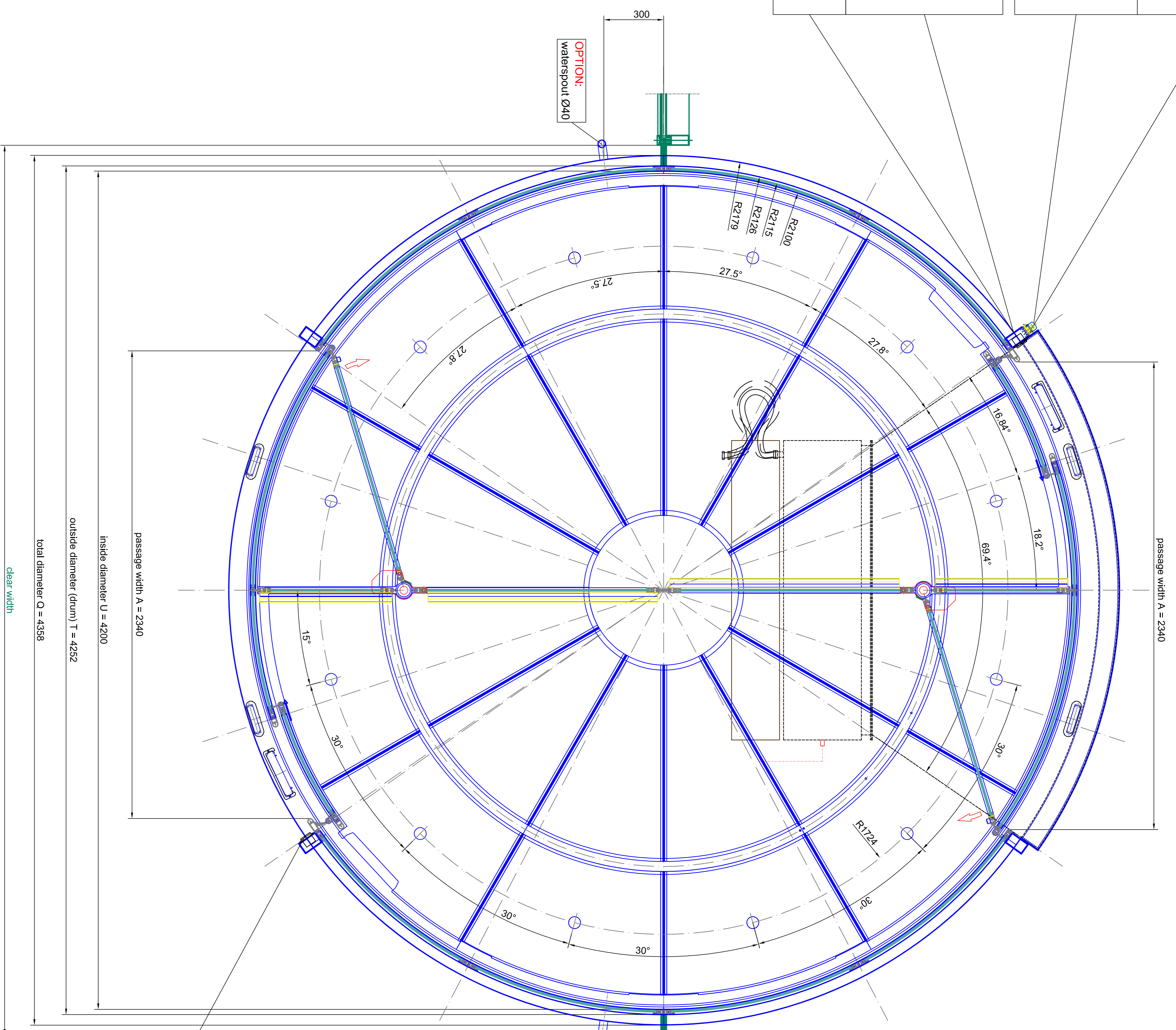
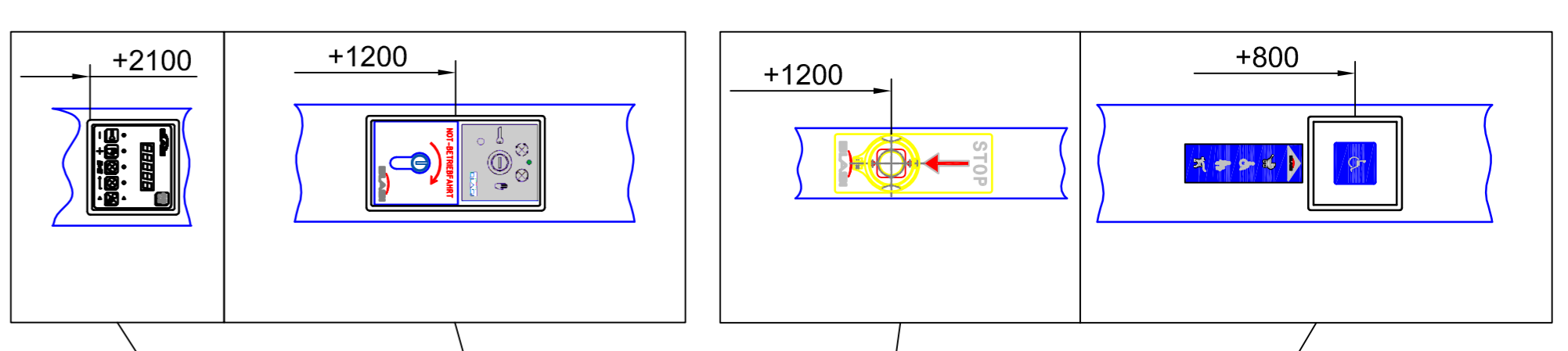
**vertical section -
watertight roof - multipart**



**vertical section -
passage area / inside**

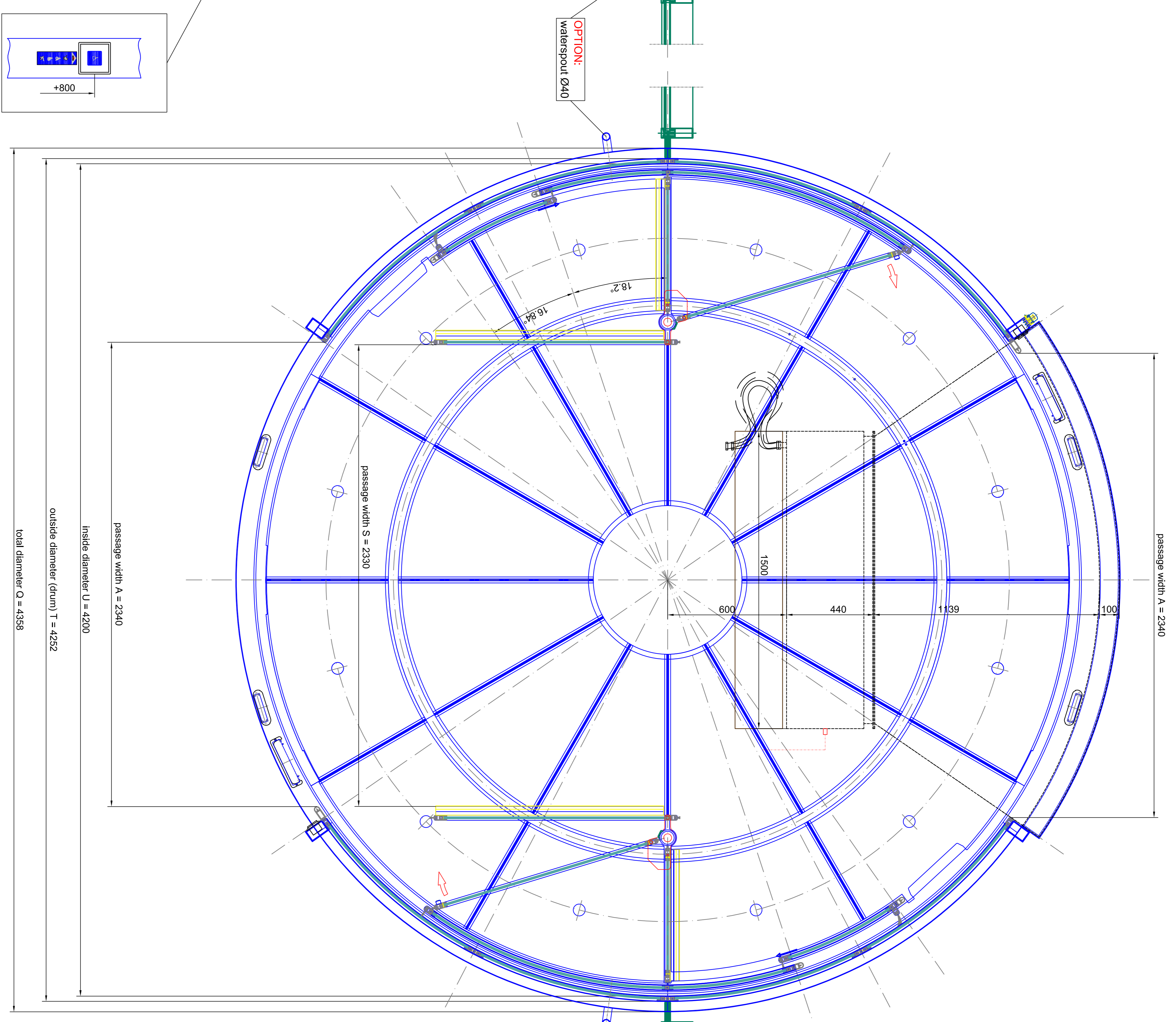


<p>BLASI</p> <p>BLASI GmbH Automatic Door Carl-Str. 5-13 D-71712 Waldby Tel. +49(0)7142 881-291 Fax. +49(0)7142 881-299 E-mail: info@blasi.de www.blasi.de</p>		<p>K21-DV-A2</p> <p>SAMPLE DRAWING ONLY</p>	
Scale: Ad=1:5	Scale: Ad=1:5	Scale: Ad=1:5	Scale: Ad=1:5
Sheet: 36/48	Sheet: 36/48	Sheet: 36/48	Sheet: 36/48
Project: 36/48	Project: 36/48	Project: 36/48	Project: 36/48
Client: 36/48	Client: 36/48	Client: 36/48	Client: 36/48
Contract: 36/48	Contract: 36/48	Contract: 36/48	Contract: 36/48
Order: 36/48	Order: 36/48	Order: 36/48	Order: 36/48
Issue: 36/48	Issue: 36/48	Issue: 36/48	Issue: 36/48
Rev: 36/48	Rev: 36/48	Rev: 36/48	Rev: 36/48



outside

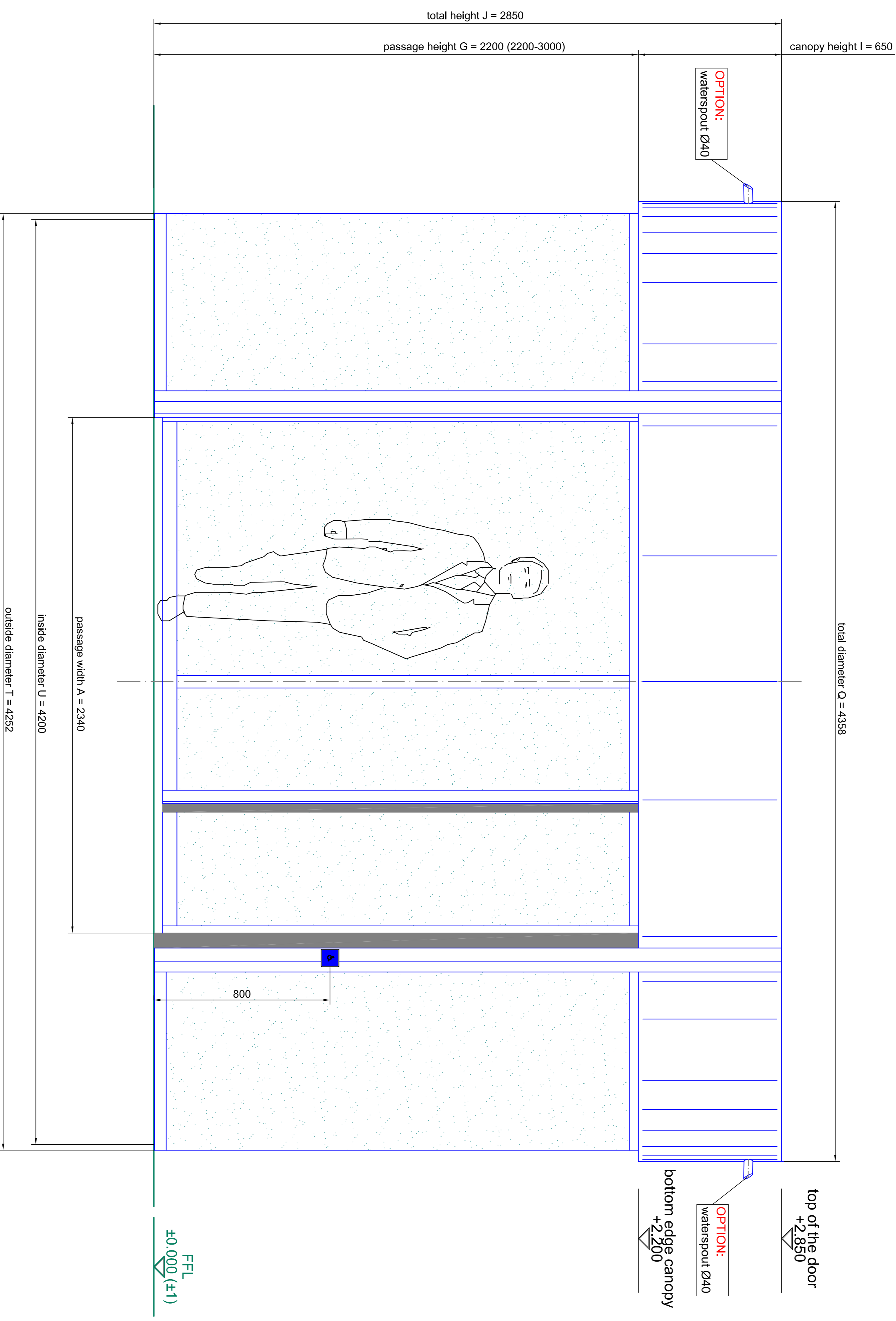
horizontal section - door in standard position



outside

horizontal section - door in open door position

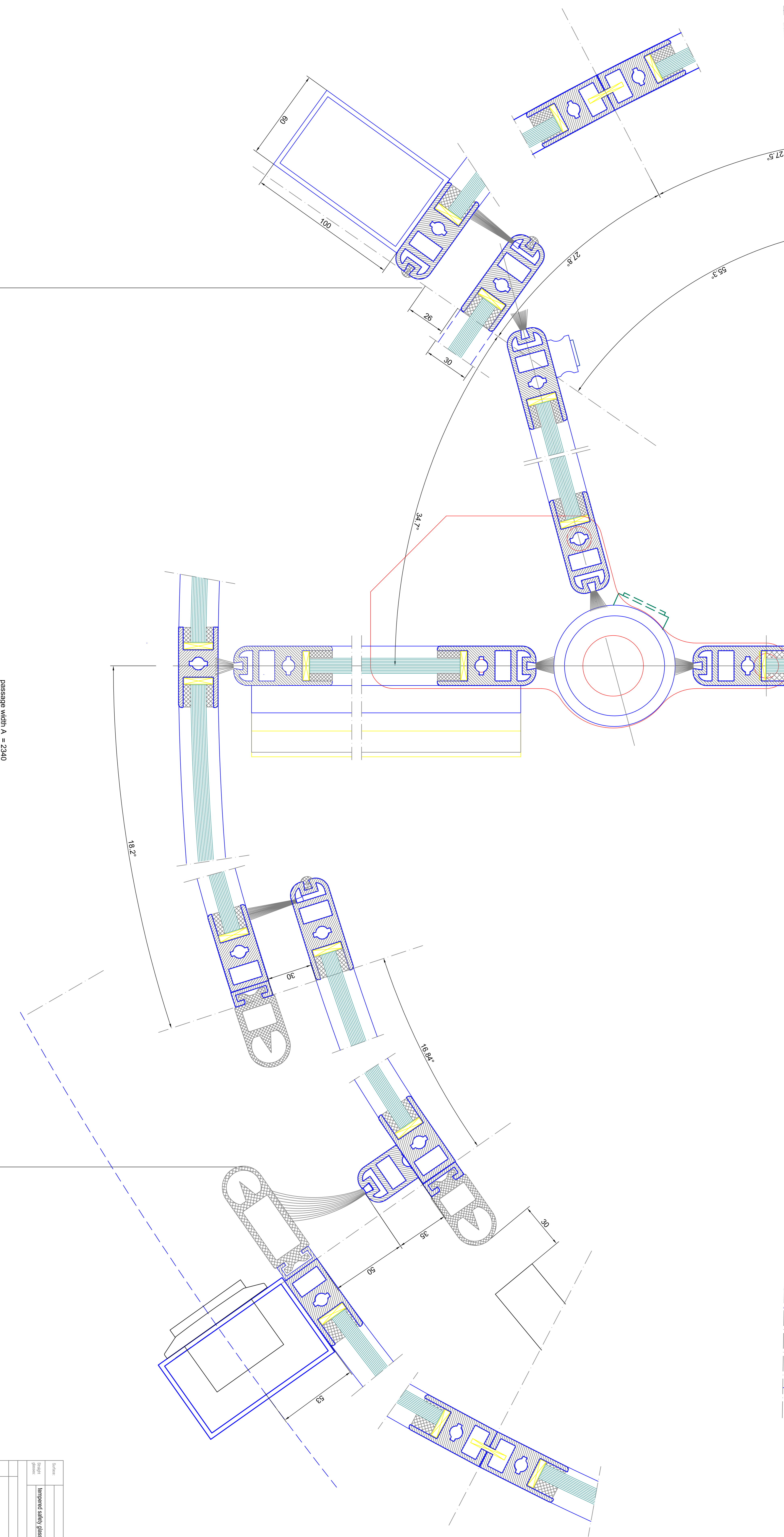
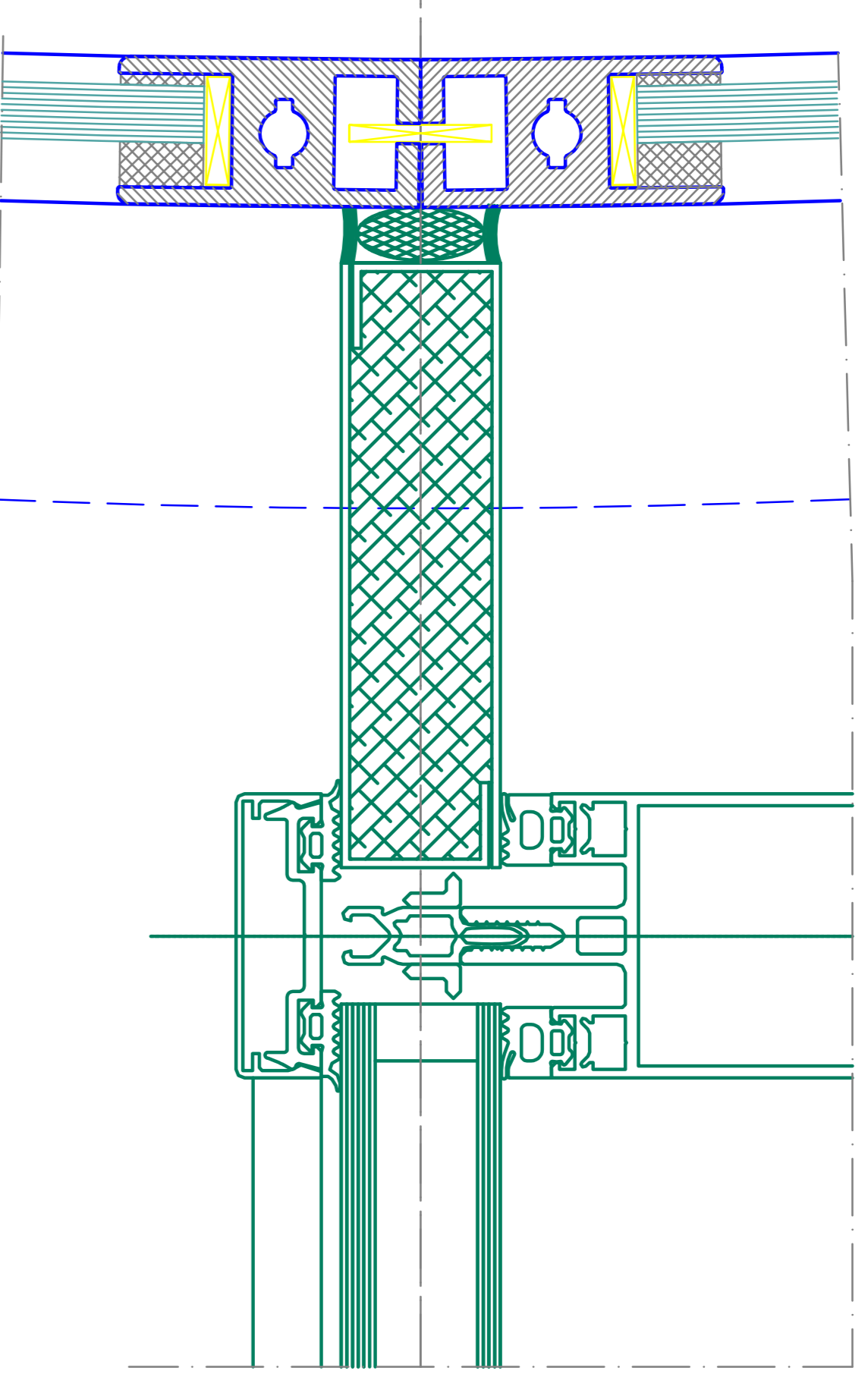
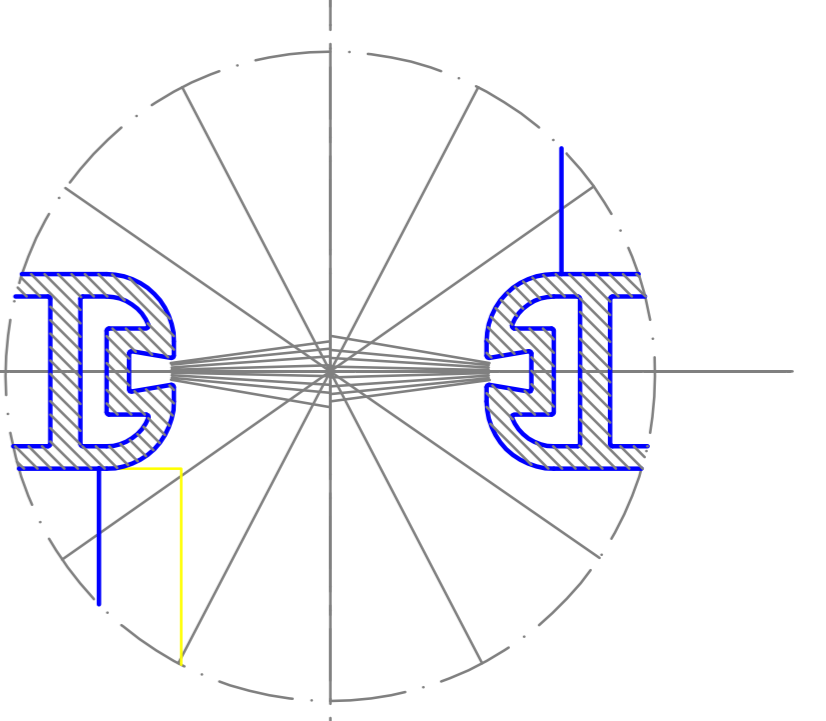
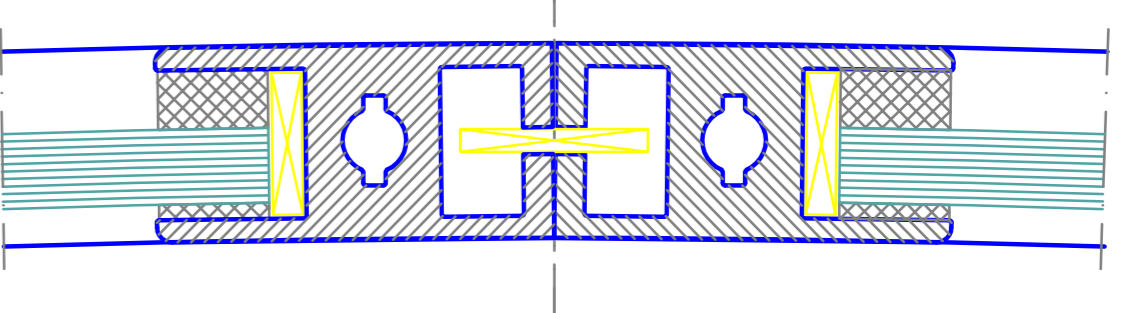
Scale:	AD=1:10	Configuration No.:	0204
Project:	BLASI	Project:	K21-DV/42
Client:	BLASI	Contractor:	SAMPLE DRAWING ONLY
Address:	BLASI G m b H Automatic Doors Celt. steel street 5-15 0-11717 - Salzburg www.blasi.at - 1110	Phone:	+43(0)622 / 863 - 291
		Fax:	+43(0)622 / 863 - 299
		E-mail:	prod@blasi.at
		Web:	blasi.at
Material:	tempered safety glass 10 mm	Material:	tempered safety glass 10 mm
Standard:	EN 1906	Standard:	EN 1906
Manufacturer:	BLASI	Manufacturer:	BLASI
Year:	02	Year:	04



front elevation - outside

A 16 15 14 13 12 11 10 9 8 7 6 5 4 3 2 1

Scale:	AD=1:10	Configuration No.:	03
Project:	BLASI	Project:	K21-DV-A2
Client:	BLASI	Contractor:	SAMPLE DRAWING ONLY
Address:	BLASI S.p.A. - Via S. Maria Maddalena, 10 - 00187 Roma (RM) - Italy	Scale:	AD=1:10
Phone:	+39 06 498322 / 865 291	Project:	K21-DV-A2
Fax:	+39 06 498322 / 865 299	Contractor:	SAMPLE DRAWING ONLY
Website:	www.blasi.it	Scale:	AD=1:10
Person:	Blasi - 03	Configuration No.:	03



passage width A = 2340

horizontal section - details

Scale:	1:1	1:1
Material:	stainless steel (DIN 17851)	tempered safety glass 10 mm
Finish:	brushed	brushed safety glass 10 mm
Color:	brushed	
Weight:		
Volume:		
Surface area:		
Notes:		
1. All visible components must be made of stainless steel (DIN 17851)		
2. All visible components must be made of tempered safety glass 10 mm		

BLASI
 B L A S I G m b H
 Automatic Doors
 Carl-Stein-Str. 15
 D-71712 Walden
 Tel. +49(0)7142 / 883-291
 Fax. +49(0)7142 / 883-299
 E-mail: prod@blasig.de
 WWW: blasig.de

Type: **K21-DM/A2**
 Title: **SAMPLE DRAWING ONLY**
 Scale: **1:1**
 Date: **04**
 Rev: **04**