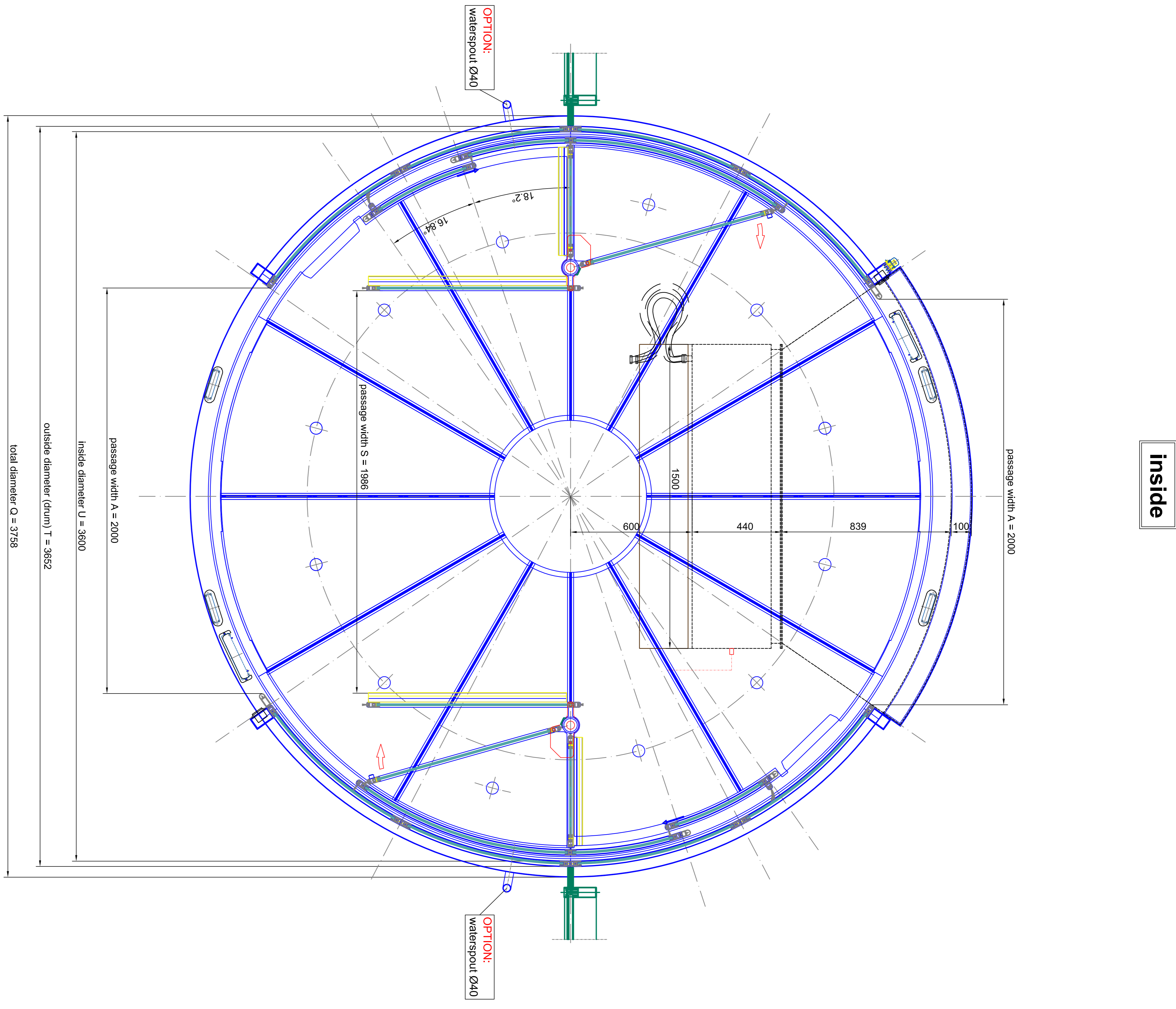


outside

inside

horizontal section - door in standard position



outside

inside

horizontal section - door in open door position

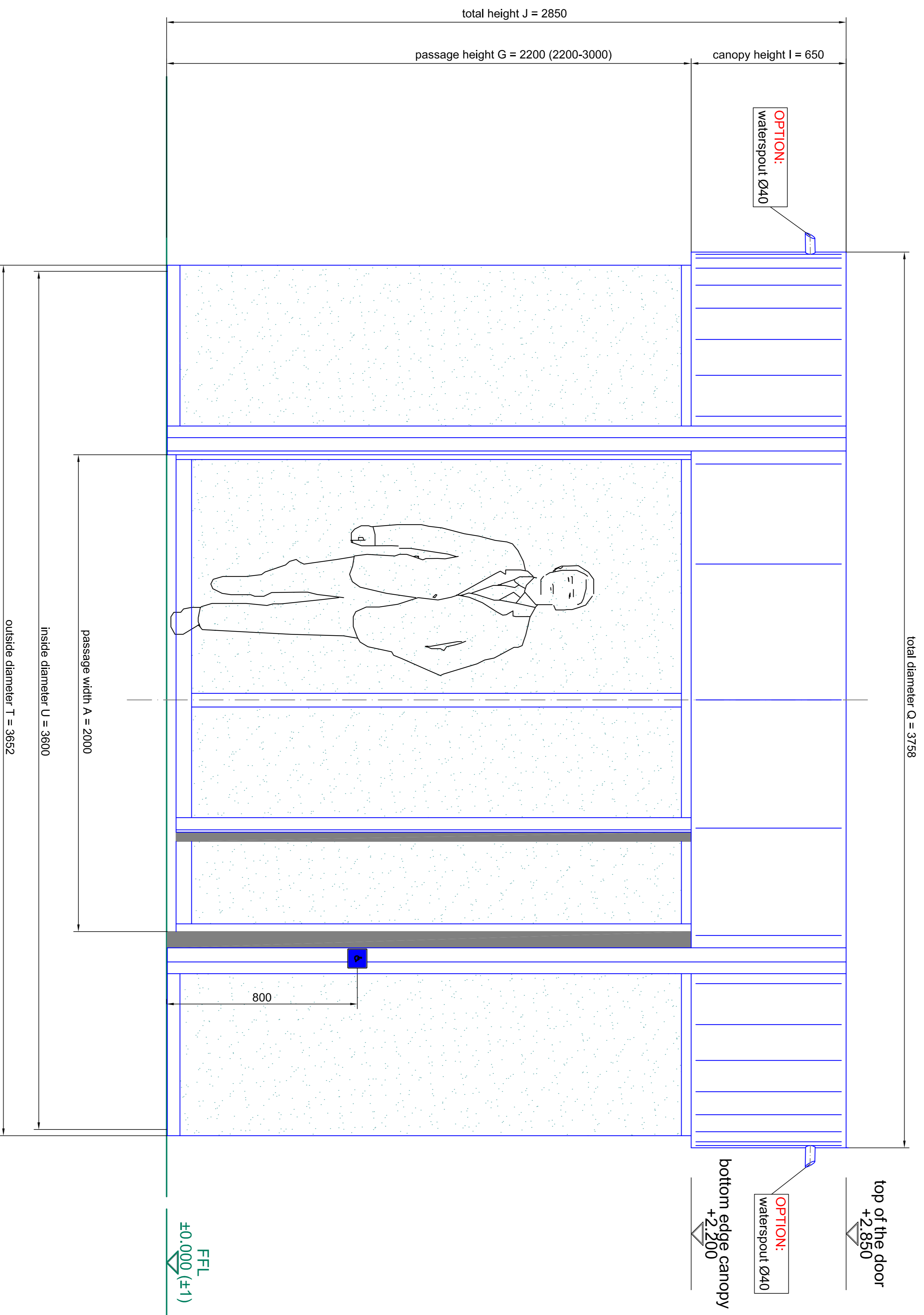
Scale:	Ad=1:10	Configuration No.:	0204
Sheet:	364.49	Version:	02
Material:	tempered safety glass 10 mm	Component:	tempered safety glass 10 mm
Finish:		Material:	

**BLASI**  
 B L A S I G m b H  
 Automatic Doors  
 Call center: +49 71 71 20000  
 0 71 71 71 20000

Tel: +49 822 / 883 291  
 Fax: +49 822 / 883 299  
 E-mail: info@blasig.de  
 WWW: blasig.de

Scale: Ad=1:10  
 Type: K21-DM-36  
 Title: SAMPLE DRAWING ONLY

Page: 02  
 of: 04



**front elevation - outside**

Scale:	AD=1:10
Project:	K21-DM-36
Client:	SAMPLE DRAWING ONLY
Author:	
Check:	
Date:	03
Page:	04

**BLASI**

8 L A S I O m b H  
Automatic Doors  
Caf. Ser. Snek S-15  
0 - 1 / 1 / 1 - Milano

Tel. +39022 / 863 - 291  
Fax. +39022 / 863 - 290  
E-mail: info@blasio.it  
WWW: blasio - .it/it

Scale: AD=1:10

Type: K21-DM-36

Project: SAMPLE DRAWING ONLY

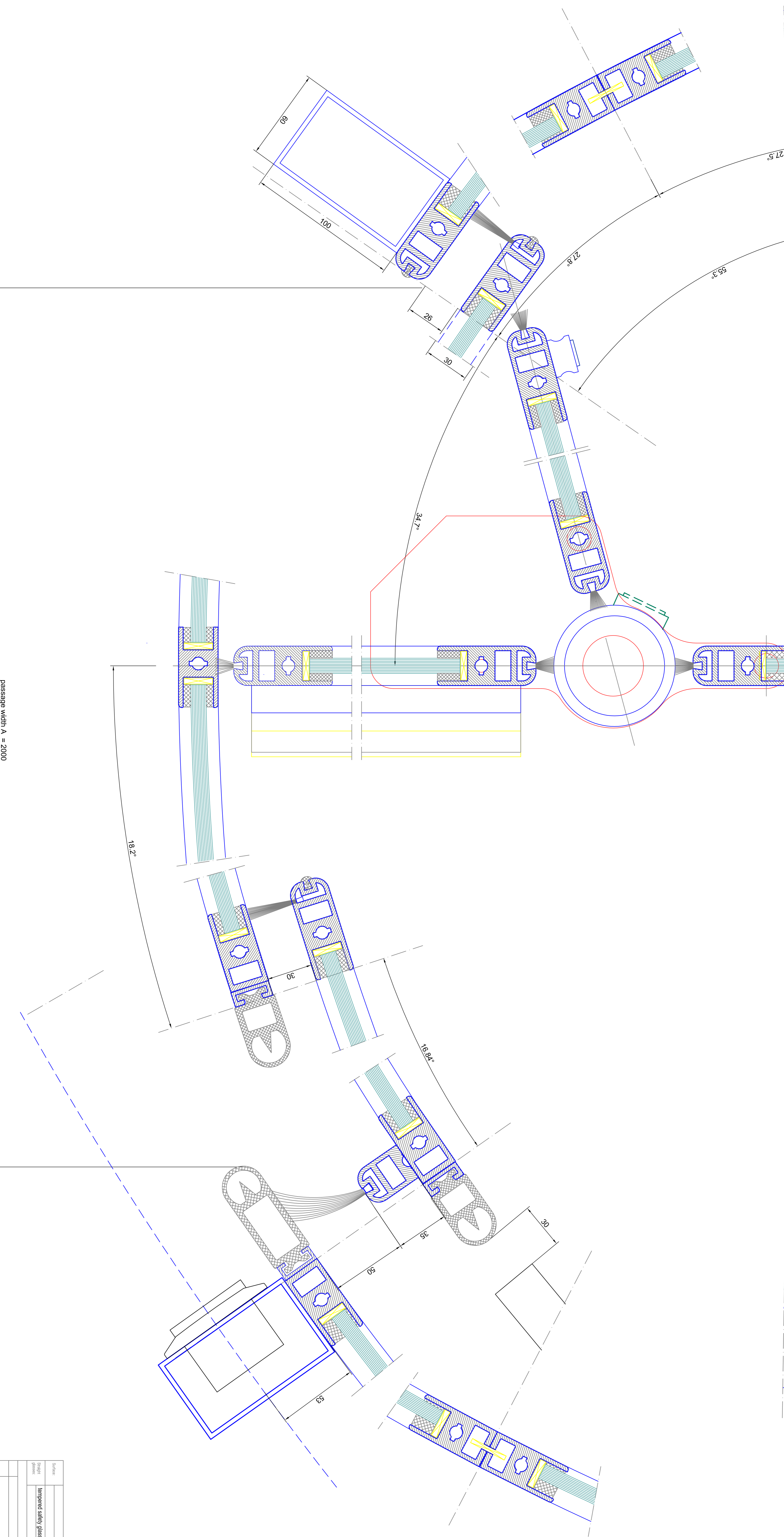
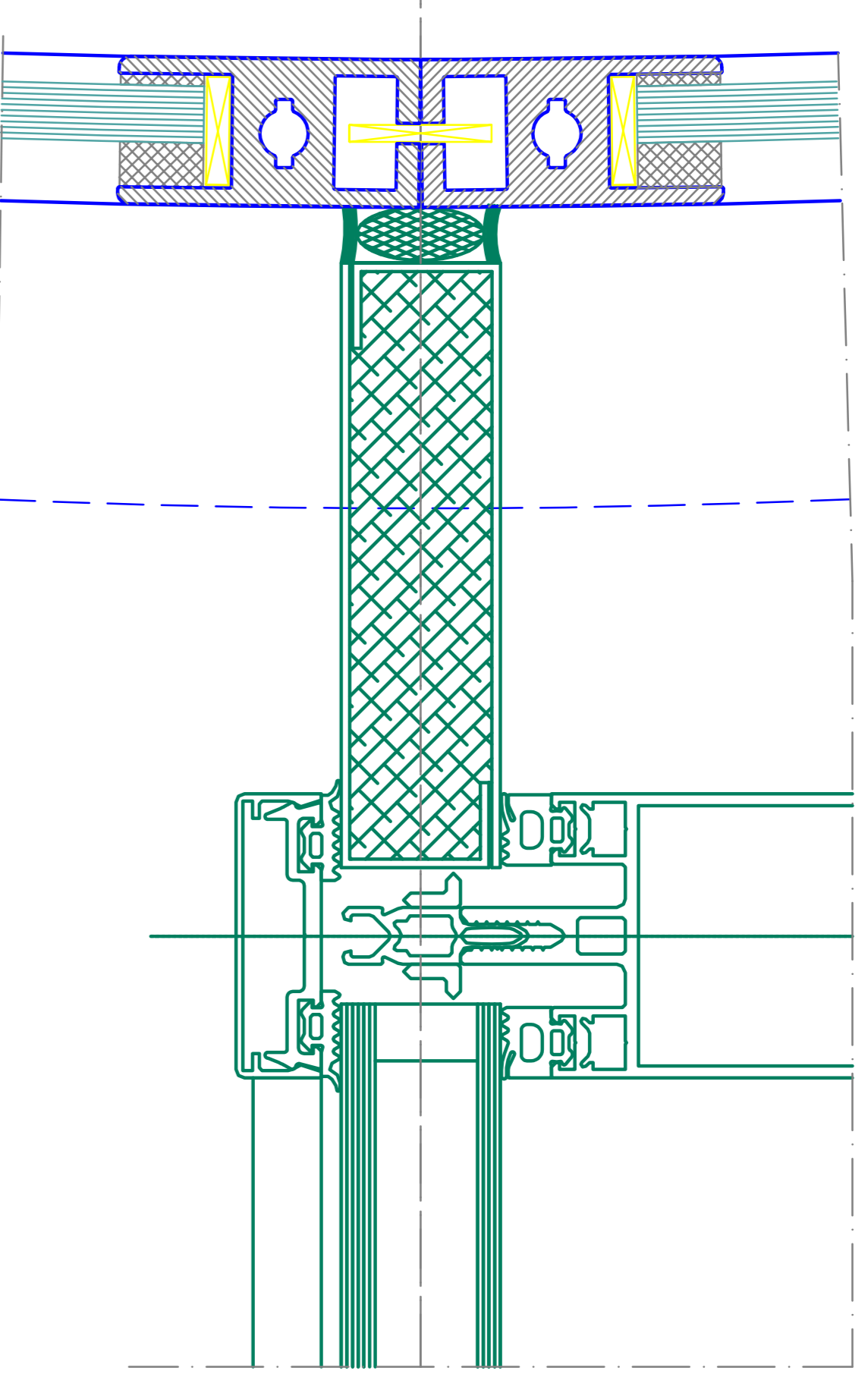
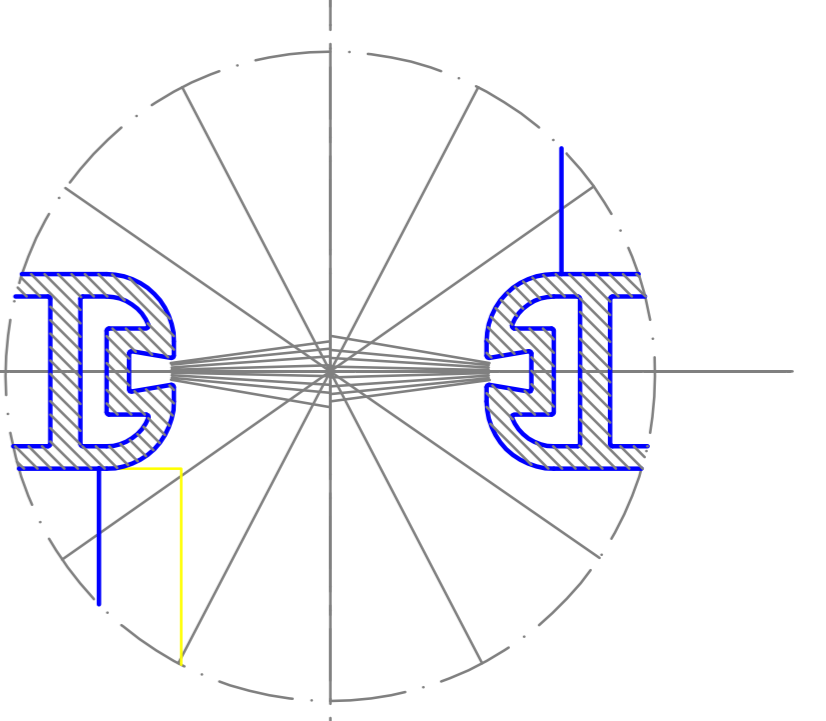
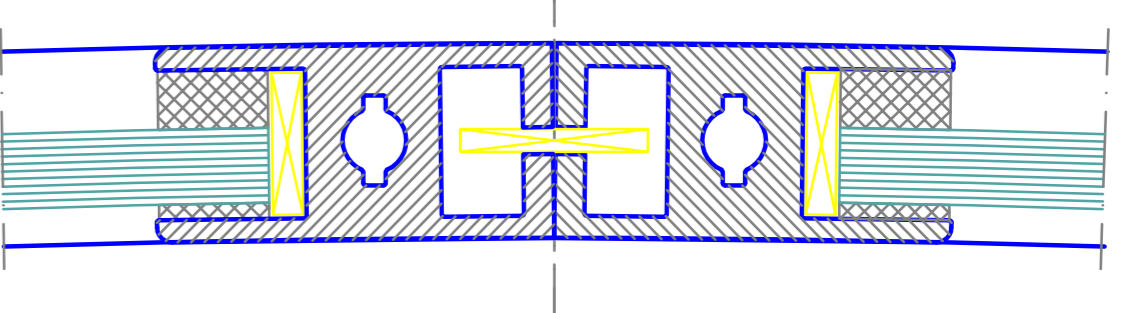
Client:

Author:

Check:

Date: 03

Page: 04



passage width A = 2000

# horizontal section - details

Scale:	1:1 (100%)	Material:	stainless steel (EN 10253)
Surface:	tempered safety glass 10 mm	Color:	brushed safety glass 10 mm
Finish:	tempered safety glass 10 mm	Notes:	EN 10222 marked components must be marked by date

Project:	BLASI	Scale:	1:1
Client:	B.L.A.S.I. G.m.b.H.	Type:	K21-DM-36
Address:	Automatic Doors	Product:	SAMPLE DRAWING ONLY
Phone:	+49 822 / 883 - 291	Manufacturer:	
Fax:	+49 822 / 883 - 299	Country:	
Email:	prod@blasi.de	Version:	
Website:	www.blasi.de	Drawn:	
Year:	2010	Checked:	